



US00D914812S

(12) **United States Design Patent**
Campanaro et al.

(10) **Patent No.:** **US D914,812 S**
(45) **Date of Patent:** **** Mar. 30, 2021**

(54) **ADJUSTABLE ROWING EXERCISE DEVICE**

(71) Applicant: **Total Gym Global Corp.**, Carlsbad,
CA (US)

(72) Inventors: **Thomas J. Campanaro**, Rancho Santa
Fe, CA (US); **Jesse T. Campanaro**, San
Diego, CA (US)

(73) Assignee: **Total Gym Global Corp.**, Carlsbad,
CA (US)

(**) Term: **15 Years**

(21) Appl. No.: **29/754,045**

(22) Filed: **Oct. 6, 2020**

(51) **LOC (13) Cl.** **21-02**

(52) **U.S. Cl.**
USPC **D21/674**

(58) **Field of Classification Search**
USPC D21/676, 674, 695, 666, 694, 686, 690,
D21/688, 662, 675, 679; 482/72, 100,
482/121, 70, 73, 96, 71, 9, 5, 142, 112,
482/130, 140, 131, 57, 95, 53, 98, 138,
482/60, 114, 104, 137, 51, 136, 97, 8
CPC A63B 23/0211; A63B 22/0076; A63B
21/068; A63B 2208/0233; A63B
2022/0079; A63B 21/225; A63B 22/0087;
A63B 21/153; A63B 21/00069; A63B
69/06

See application file for complete search history.

(56) **References Cited**

U.S. PATENT DOCUMENTS

- 1,782,728 A * 11/1930 Kiefer A63B 22/0076
482/72
- D251,079 S 2/1979 Shugaman
- 4,346,886 A * 8/1982 Cox A63B 21/00069
482/72
- D272,376 S * 1/1984 Cunningham D21/674
- D284,597 S 7/1986 Smith

- 4,743,011 A 5/1988 Coffey
- 4,798,378 A * 1/1989 Jones A63B 21/0052
482/72
- 4,875,674 A * 10/1989 Dreissigacker A63B 21/153
482/9
- 4,880,224 A * 11/1989 Jonas A63B 21/153
482/72

(Continued)

FOREIGN PATENT DOCUMENTS

TW D172925 1/2016

OTHER PUBLICATIONS

Examination Report for New Zealand Design Patent 421405 dated
Apr. 19, 2016.

(Continued)

Primary Examiner — Ryan Harvey
(74) *Attorney, Agent, or Firm* — Procopio Cory
Hargreaves and Savitch LLP

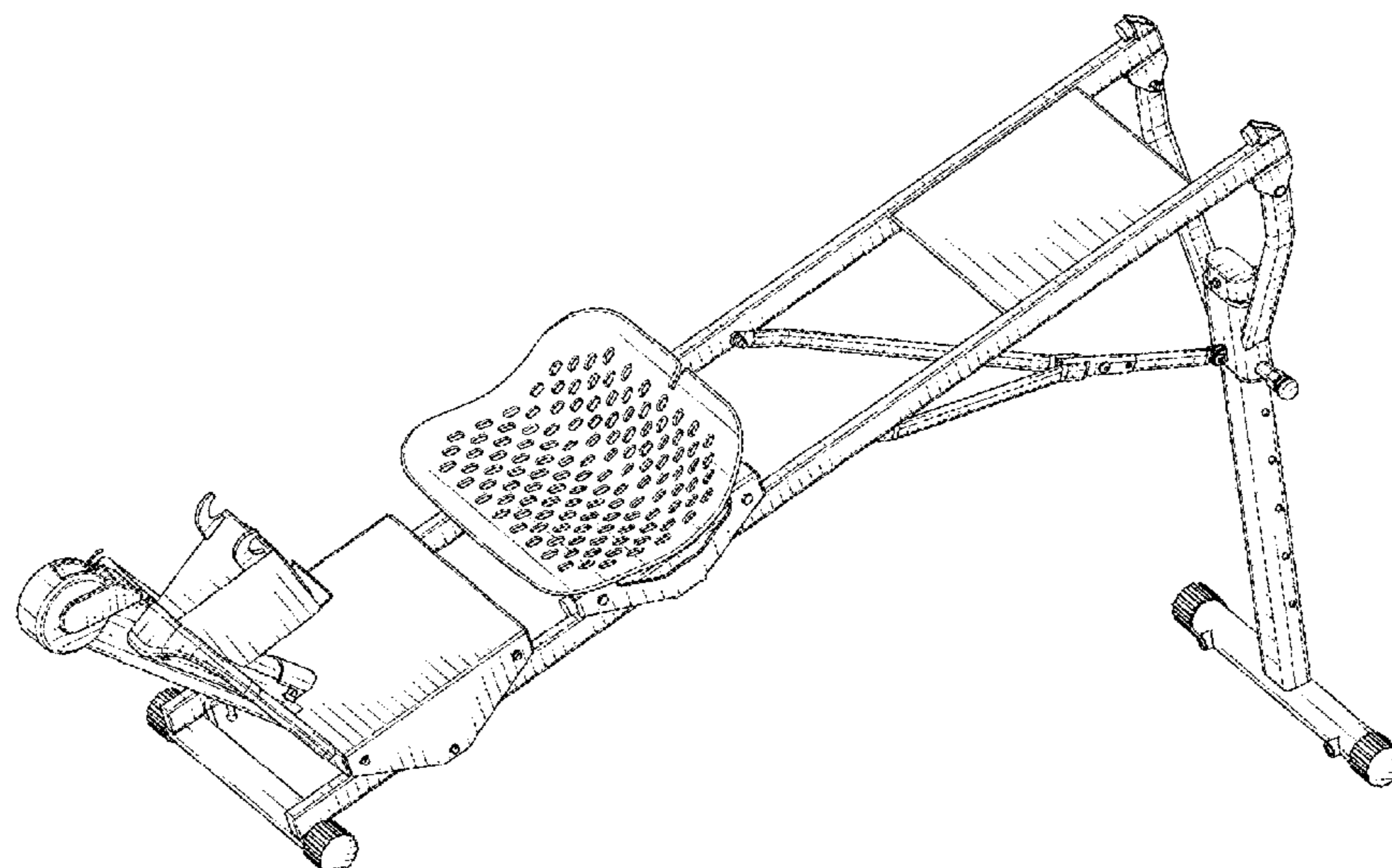
(57) **CLAIM**

The ornamental design for an adjustable rowing exercise
device, as shown and described.

DESCRIPTION

FIG. 1 is a perspective view of the adjustable rowing exercise device;
FIG. 2 is a front elevation view of the adjustable rowing exercise device; the rear elevational view is a mirror image thereof;
FIG. 3 is a left side elevational view of the adjustable rowing exercise device;
FIG. 4 is a right side elevational view of the adjustable rowing exercise device;
FIG. 5 is a top plan view of the adjustable rowing exercise device; and,
FIG. 6 is a bottom plan view of the adjustable rowing exercise device.

1 Claim, 4 Drawing Sheets



(56)

References Cited

U.S. PATENT DOCUMENTS

| | | | | | | | | | | | |
|------------|------|---------|--------------------|-------|---------------|--------------|------|---------|----------------------|-------|---------------|
| 4,921,242 | A * | 5/1990 | Watterson | | A63B 21/0083 | 10,420,980 | B2 * | 9/2019 | Wu | | A63B 21/4043 |
| | | | | | 482/121 | D861,805 | S * | 10/2019 | Lisi | | D21/674 |
| 4,940,227 | A * | 7/1990 | Coffey | | A63B 22/0076 | 10,426,994 | B1 * | 10/2019 | Campanaro | | A63B 21/068 |
| | | | | | 482/73 | 10,441,834 | B2 * | 10/2019 | Liu | | A63B 21/00069 |
| 4,974,832 | A * | 12/1990 | Dalebout | | A63B 21/00069 | 10,486,016 | B2 * | 11/2019 | Robert | | A63B 21/015 |
| | | | | | 482/138 | 10,682,546 | B2 * | 6/2020 | Dubin | | A63B 21/153 |
| 4,997,181 | A * | 3/1991 | Lo | | A63B 21/0088 | 10,729,933 | B2 * | 8/2020 | Lammers | | A63B 22/0089 |
| | | | | | 482/110 | 10,786,703 | B1 * | 9/2020 | Zimmer | | A63B 21/0084 |
| 5,013,033 | A * | 5/1991 | Watterson | | A63B 22/0076 | 10,828,531 | B1 * | 11/2020 | Smith | | A63B 21/0051 |
| | | | | | 482/127 | 2001/0056001 | A1 | 12/2001 | Endelman et al. | | |
| 5,072,929 | A | 12/1991 | Feterson et al. | | | 2004/0043874 | A1 * | 3/2004 | Yang | | A63B 22/0076 |
| D324,709 | S * | 3/1992 | Lehtonen | | D21/674 | | | | | | 482/72 |
| 5,122,105 | A * | 6/1992 | Engel | | A63B 22/0076 | 2005/0070181 | A1 | 3/2005 | Bleicken | | |
| | | | | | 297/215.11 | 2005/0085348 | A1 * | 4/2005 | Kiefer | | A63B 22/0076 |
| D337,799 | S * | 7/1993 | Cutter | | D21/666 | | | | | | 482/72 |
| D352,534 | S * | 11/1994 | Dreibelbis | | D21/674 | 2005/0277521 | A1 * | 12/2005 | Lat | | A63B 22/0076 |
| 5,370,593 | A * | 12/1994 | Wang | | A63B 21/0083 | | | | | | 482/72 |
| | | | | | 482/51 | 2006/0019806 | A1 | 1/2006 | Mikulski | | |
| 5,382,210 | A * | 1/1995 | Rekers | | A63B 21/157 | 2006/0148622 | A1 * | 7/2006 | Chen | | A63B 22/0076 |
| | | | | | 482/125 | | | | | | 482/72 |
| D362,700 | S | 9/1995 | Breibart et al. | | | 2007/0082793 | A1 * | 4/2007 | Yang | | A63B 21/0088 |
| 5,470,295 | A * | 11/1995 | Wang | | A63B 21/068 | | | | | | 482/72 |
| | | | | | 482/71 | 2008/0261782 | A1 * | 10/2008 | Campbell | | A63B 22/0076 |
| D367,508 | S * | 2/1996 | Dreissigacker | | D21/674 | | | | | | 482/72 |
| D382,319 | S | 8/1997 | Gerschefske et al. | | | 2008/0280736 | A1 | 11/2008 | D'Eredita | | |
| 5,707,322 | A * | 1/1998 | Dreissigacker | | A63B 21/227 | 2009/0163323 | A1 | 6/2009 | Bocchicchio | | |
| | | | | | 482/72 | 2010/0190615 | A1 * | 7/2010 | Baker | | A63B 69/06 |
| 5,833,256 | A | 11/1998 | Gilmore | | | | | | | | 482/73 |
| D405,132 | S | 2/1999 | Westfall et al. | | | 2010/0227748 | A1 | 9/2010 | Campanaro et al. | | |
| 5,916,069 | A * | 6/1999 | Wang | | A63B 21/153 | 2011/0028278 | A1 * | 2/2011 | Roach | | A63B 22/0076 |
| | | | | | 482/57 | | | | | | 482/72 |
| D414,519 | S * | 9/1999 | Wang | | D21/676 | 2011/0082015 | A1 | 4/2011 | Dreissigacker et al. | | |
| 6,071,215 | A * | 6/2000 | Raffo | | A63B 21/153 | 2012/0053028 | A1 | 3/2012 | Campanaro et al. | | |
| | | | | | 482/57 | 2012/0100965 | A1 * | 4/2012 | Dreissigacker | | A63B 21/157 |
| 6,090,017 | A * | 7/2000 | Wang | | A63B 22/0076 | | | | | | 482/72 |
| | | | | | 482/57 | 2013/0035216 | A1 * | 2/2013 | Campbell | | A63B 22/0076 |
| 6,120,425 | A | 9/2000 | Endelman | | | | | | | | 482/72 |
| 6,231,485 | B1 * | 5/2001 | Dreissigacker | | A63B 21/227 | 2013/0109538 | A1 * | 5/2013 | Ho | | A63B 23/0222 |
| | | | | | 482/57 | | | | | | 482/8 |
| 6,371,895 | B1 | 4/2002 | Endelman et al. | | | 2014/0141948 | A1 | 5/2014 | Aronson et al. | | |
| 6,440,045 | B1 | 8/2002 | Gaston | | | 2014/0194260 | A1 | 7/2014 | Campanaro et al. | | |
| 6,514,181 | B1 * | 2/2003 | Taylor | | A63B 21/153 | 2014/0243163 | A1 * | 8/2014 | Edmondson | | A63B 21/153 |
| | | | | | 482/138 | | | | | | 482/72 |
| 6,761,670 | B2 * | 7/2004 | Liou | | A63B 21/153 | 2015/0057130 | A1 * | 2/2015 | Lin | | A63B 22/0076 |
| | | | | | 482/57 | | | | | | 482/72 |
| D493,853 | S | 8/2004 | Campanaro et al. | | | 2015/0246263 | A1 * | 9/2015 | Campanaro | | A63B 21/068 |
| 6,960,156 | B2 * | 11/2005 | Smith | | A63B 21/0088 | | | | | | 482/52 |
| | | | | | 482/51 | 2016/0001123 | A1 * | 1/2016 | Parrish, Jr. | | A63B 22/0076 |
| 7,270,630 | B1 * | 9/2007 | Patterson | | A63B 22/0076 | | | | | | 482/72 |
| | | | | | 482/121 | 2016/0107023 | A1 * | 4/2016 | Campanaro | | A63B 21/0428 |
| D556,274 | S | 11/2007 | Morgan | | | | | | | | 482/72 |
| D608,401 | S | 1/2010 | Campanaro et al. | | | 2016/0107024 | A1 * | 4/2016 | Campanaro | | A63B 21/4045 |
| D612,000 | S | 3/2010 | Campanaro et al. | | | | | | | | 482/130 |
| 8,033,971 | B2 | 10/2011 | Campanaro et al. | | | 2016/0144223 | A1 * | 5/2016 | Dalebout | | A63B 22/0076 |
| 8,075,457 | B2 | 12/2011 | Campanaro et al. | | | | | | | | 482/72 |
| D659,205 | S | 5/2012 | Endelman et al. | | | 2016/0375297 | A1 * | 12/2016 | Kiser | | A63B 22/0087 |
| 8,323,157 | B2 | 12/2012 | Campanaro et al. | | | | | | | | 482/73 |
| D694,347 | S | 11/2013 | Campanaro et al. | | | 2016/0375298 | A1 * | 12/2016 | Crowley | | A63B 22/205 |
| D703,279 | S | 4/2014 | Ho | | | | | | | | 482/96 |
| 8,702,575 | B2 | 4/2014 | McVay et al. | | | 2017/0014669 | A1 * | 1/2017 | Hall | | A63B 22/0076 |
| D726,263 | S | 4/2015 | Anderson | | | 2017/0319889 | A1 * | 11/2017 | Cei | | A63B 21/0056 |
| D741,420 | S | 10/2015 | Campanaro et al. | | | 2018/0056117 | A1 * | 3/2018 | Hamilton | | A63B 21/157 |
| 9,375,604 | B2 * | 6/2016 | Yeh | | A63B 22/0046 | 2018/0126216 | A1 * | 5/2018 | Hamilton | | A63B 21/0088 |
| 9,662,534 | B1 * | 5/2017 | Liu | | A63B 21/157 | 2018/0169463 | A1 * | 6/2018 | Ellis | | A63B 21/22 |
| D788,861 | S | 6/2017 | Campanaro et al. | | | 2018/0272182 | A1 * | 9/2018 | Hou | | A63B 21/0051 |
| 9,764,185 | B2 * | 9/2017 | Lonergan | | A63B 22/0076 | 2020/0384305 | A1 * | 12/2020 | Hsieh | | A63B 21/0084 |
| 9,827,459 | B2 * | 11/2017 | Hsu | | A63B 24/00 | | | | | | |
| 9,901,768 | B1 * | 2/2018 | Wu | | A63B 21/4034 | | | | | | |
| D844,074 | S * | 3/2019 | Haquet | | D21/662 | | | | | | |
| 10,279,214 | B2 * | 5/2019 | Chiang | | A63B 22/203 | | | | | | |

OTHER PUBLICATIONS

Examination Report for Taiwanese patent 105301645, date of completion of search Sep. 12, 2016.

* cited by examiner

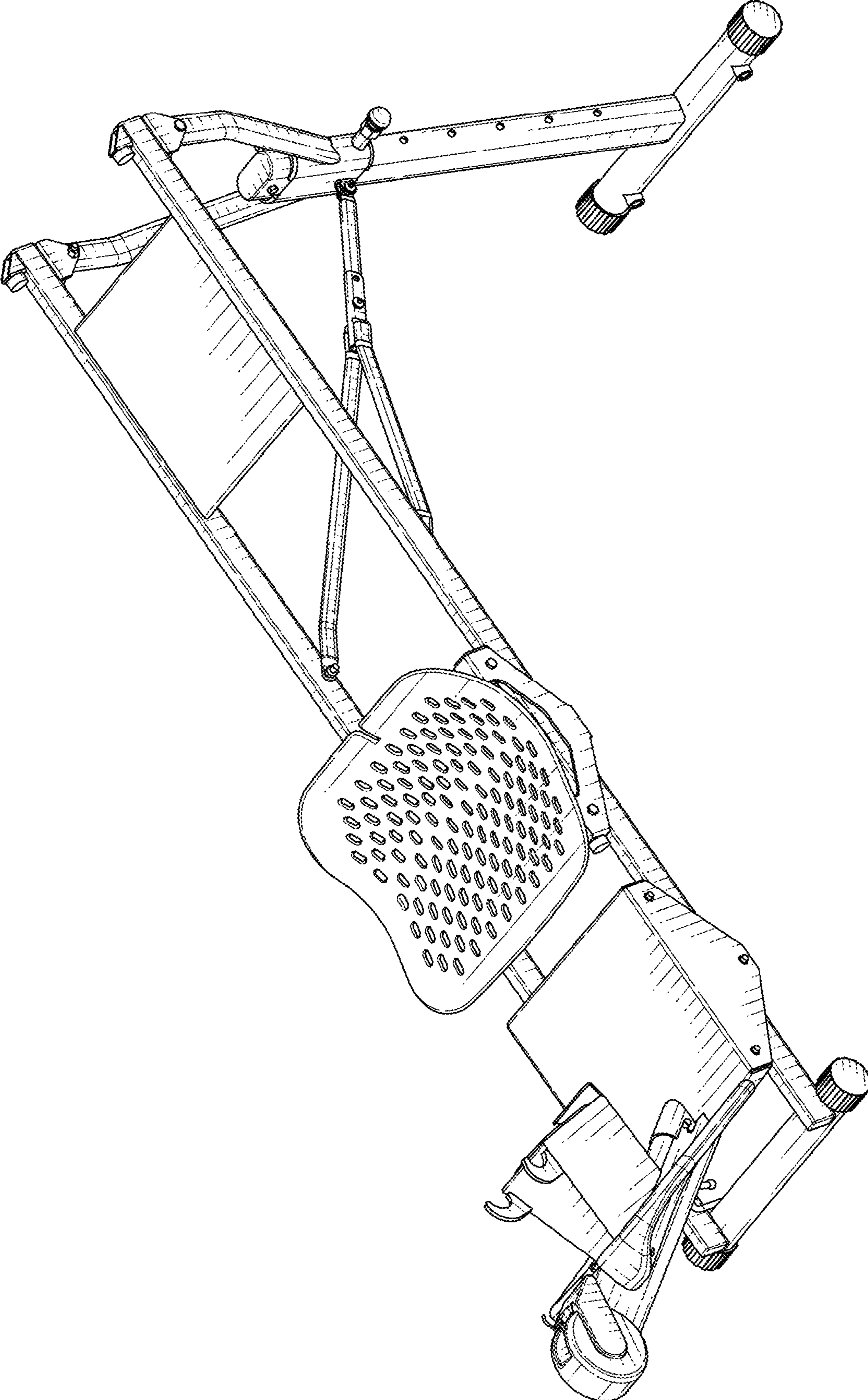


FIG. 1

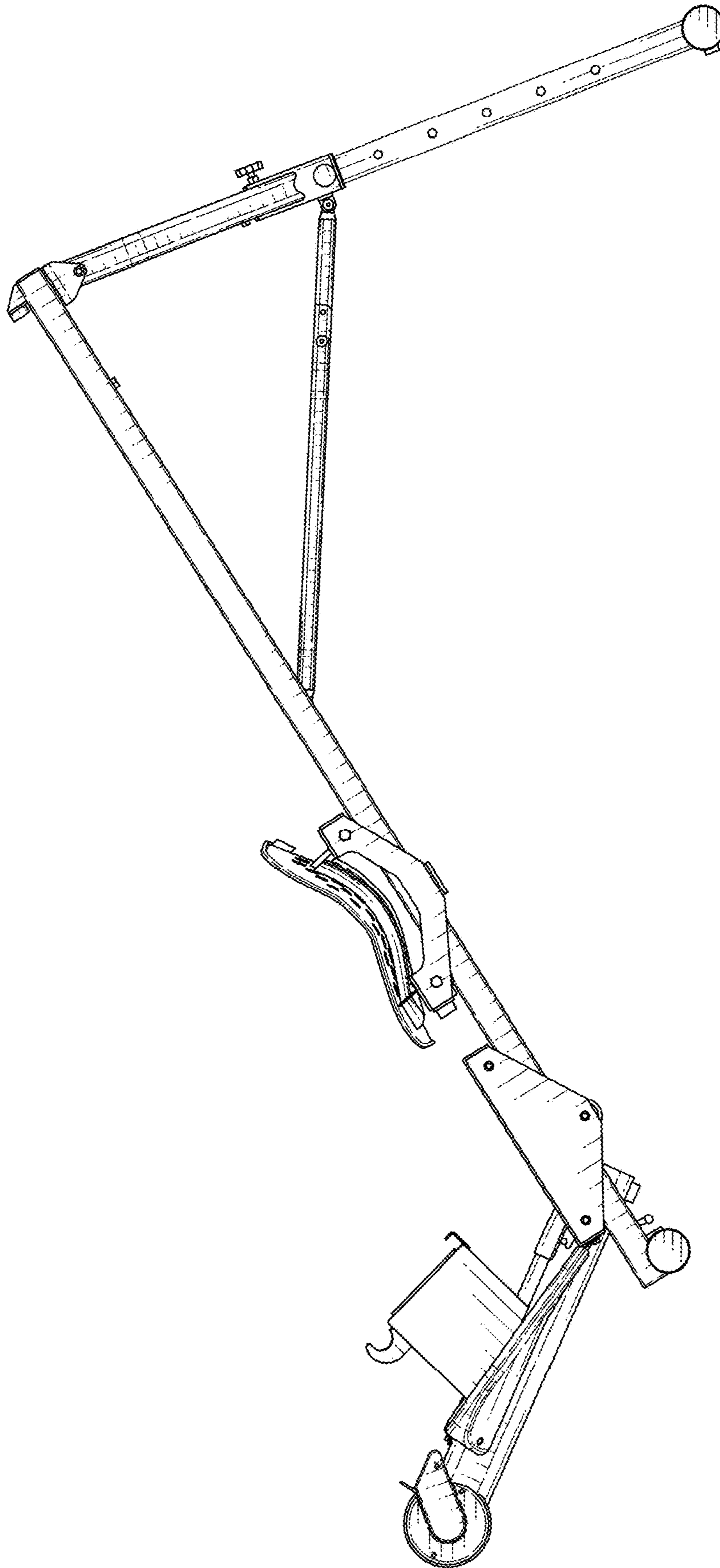


FIG. 2

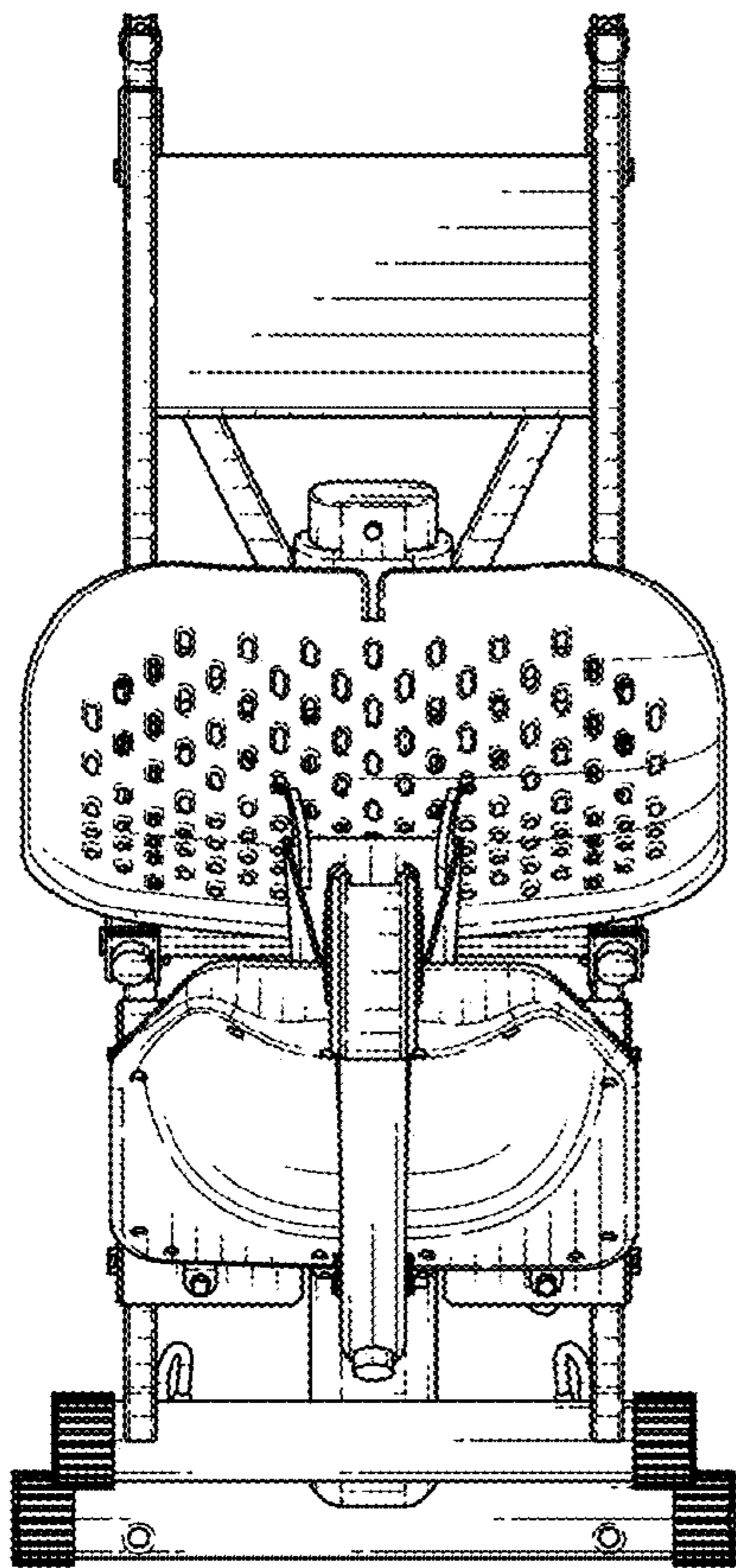


FIG. 3

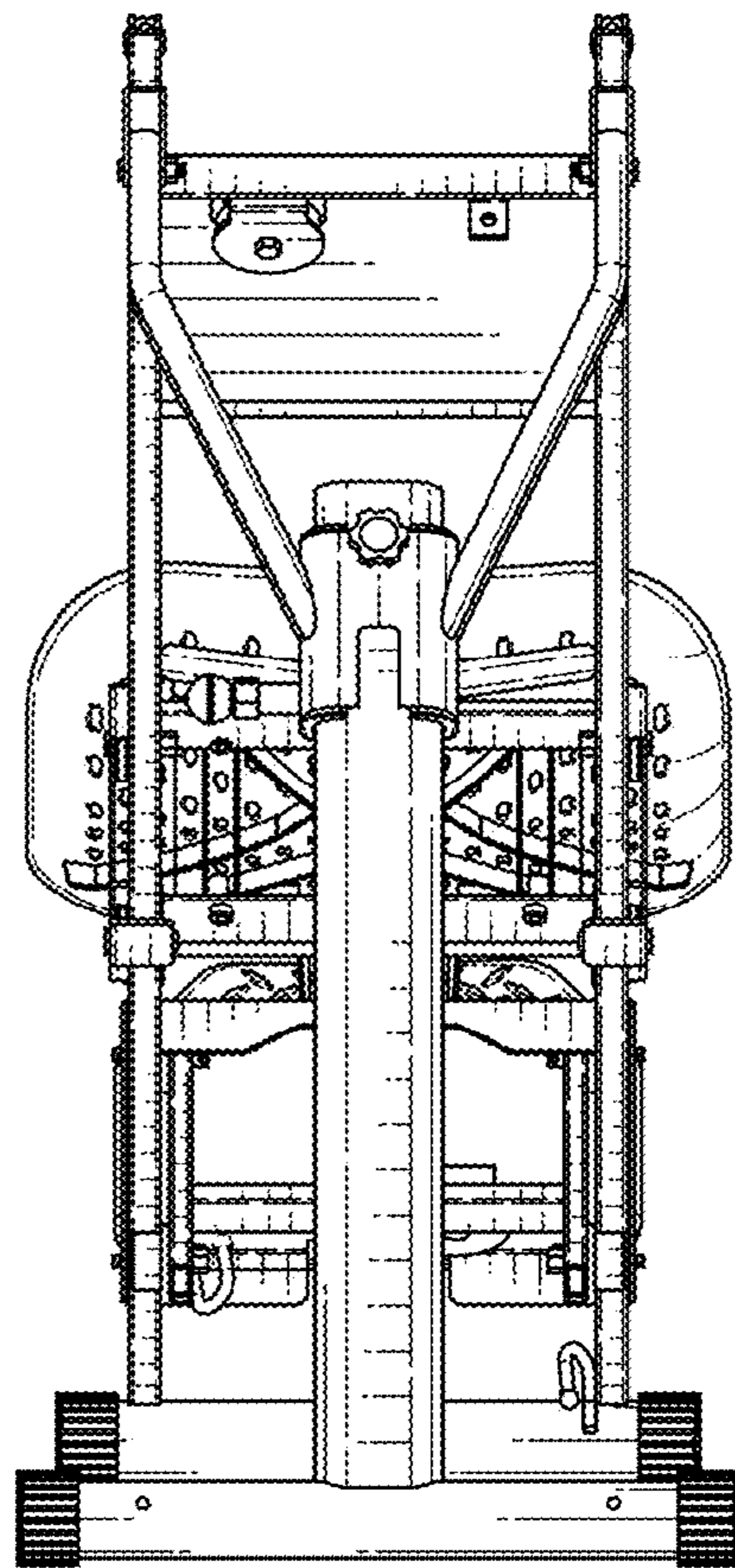


FIG. 4

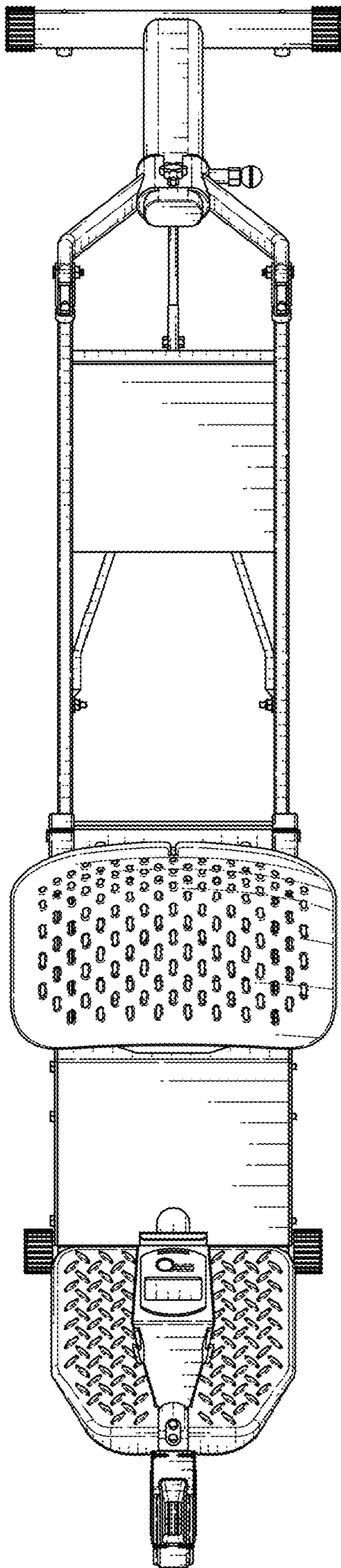


FIG. 5

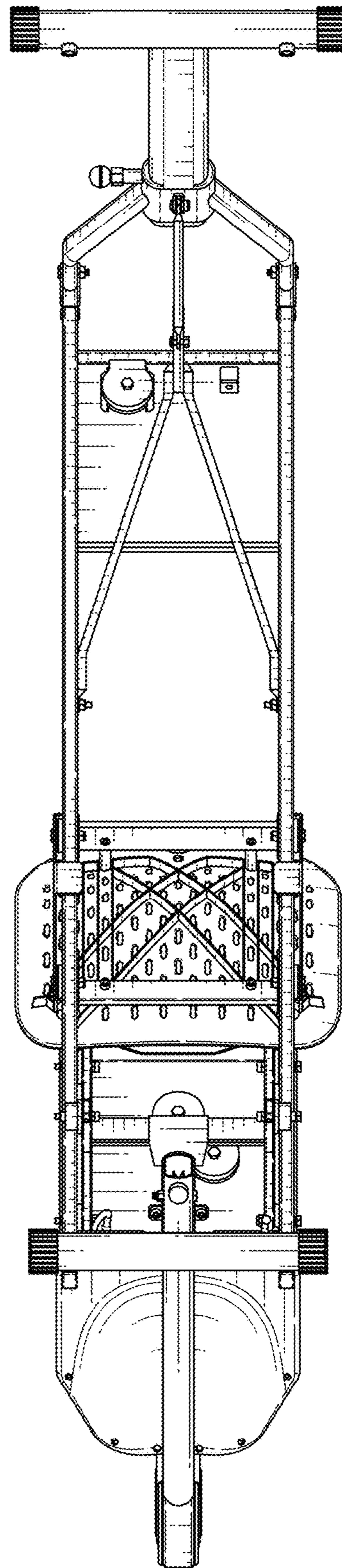


FIG. 6