



US00D914808S

(12) **United States Design Patent** (10) **Patent No.:** **US D914,808 S**  
**Loong et al.** (45) **Date of Patent:** **\*\* Mar. 30, 2021**

(54) **GAMING MACHINE RADIO INTERFACE DESIGN**

(56) **References Cited**

U.S. PATENT DOCUMENTS

(71) Applicant: **ARISTOCRAT TECHNOLOGIES AUSTRALIA PTY LIMITED**, North Ryde (AU)

D464,377 S	10/2002	Wurz
6,997,810 B2	2/2006	Cole
D531,677 S	11/2006	Mallory
D587,319 S	2/2009	Moises Deiab
D599,858 S	9/2009	Lesley
D673,620 S	1/2013	Johnson
D678,956 S	3/2013	Lesley
D685,033 S	6/2013	Wudtke
D691,665 S	10/2013	Chudek
D719,615 S *	12/2014	Inoue ..... D21/370

(Continued)

(72) Inventors: **Schin Hern Loong**, Henderson, NV (US); **Kevin Mark Ignacio**, Las Vegas, NV (US); **Gary Joseph Penacho**, Henderson, NV (US)

*Primary Examiner* — Ryan Harvey

(73) Assignee: **Aristocrat Technologies Australia Pty Ltd.**, North Ryde (AU)

(74) *Attorney, Agent, or Firm* — Armstrong Teasdale LLP

(\*\*) Term: **15 Years**

(57) **CLAIM**

(21) Appl. No.: **29/665,408**

We claim the ornamental design for a gaming machine radio interface design, as shown and described.

(22) Filed: **Oct. 3, 2018**

**DESCRIPTION**

(51) **LOC (13) Cl.** ..... **21-02**

FIG. 1 is a front perspective view of a gaming machine radio interface design showing our new design;

(52) **U.S. Cl.**

FIG. 2 is a front view of the gaming machine radio interface design shown in FIG. 1; and,

USPC ..... **D21/370**

FIG. 3 is a close-up view of the gaming machine radio interface design shown in FIG. 1;

(58) **Field of Classification Search**

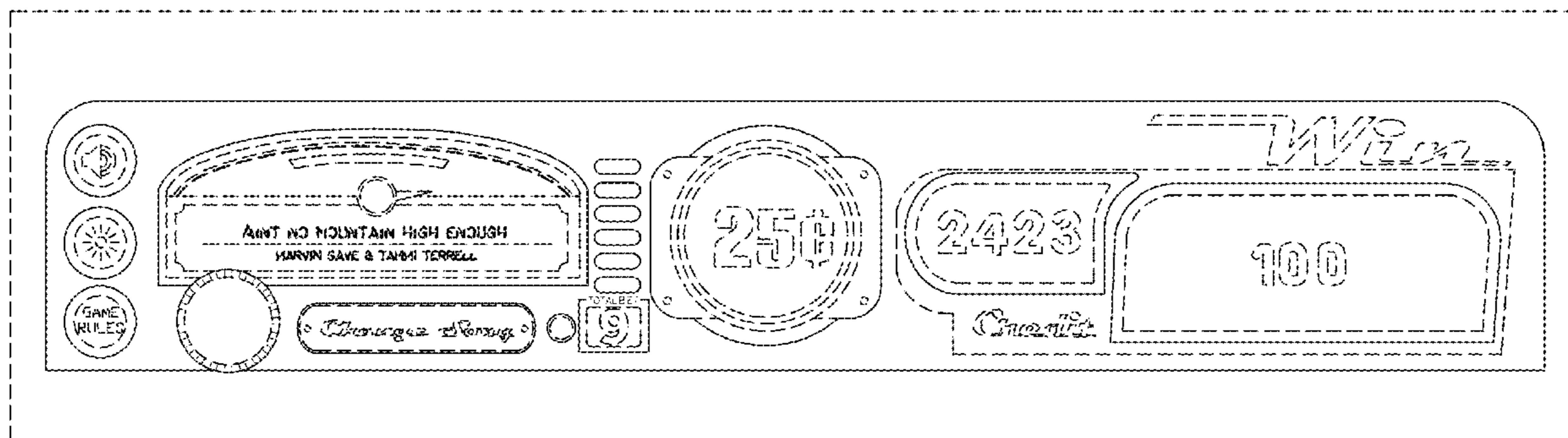
USPC ..... D21/369, 370, 371, 385, 329, 325, 394;  
D14/496, 307, 172, 129, 325, 401, 371,  
D14/126, 439, 432, 450, 128, 375, 248,  
D14/374, 341, 138 G, 127, 138 R, 451,  
D14/486; 463/28, 13, 11, 16, 20, 25, 31,  
463/46, 23, 30, 17, 36, 29, 42, 34, 32, 35,  
463/19, 21, 22; 273/292, 203, 138.2,  
273/143 R, 142 R, 138.1; D19/60;  
D16/226; D8/335, 331, 334; D26/141;  
D7/641; D6/703.1; D20/43

In these drawings, the solid lines illustrate the claimed ornamental design, whereas the broken lines illustrate unclaimed environmental features and form no part of the claimed design. The claimed design extends along the entire surface of, and to the edges shown in solid lines of, the generally rectangular gaming machine radio design interface. Additional claimed ornamental features are shown in discrete solid lines on the surface of the generally rectangular gaming machine radio design interface. The broken lines within the claimed ornamental features illustrate unclaimed displayable elements of the gaming machine radio interface that are planar with the claimed ornamental features.

CPC ..... G07F 17/32; G07F 17/34; G07F 17/3211;  
G07F 17/3213; G07F 17/3216; G07F  
17/3244; G07F 17/3202; G07F 17/3267;  
G07F 17/3209

See application file for complete search history.

**1 Claim, 3 Drawing Sheets**



(56)

References Cited

U.S. PATENT DOCUMENTS

D730,993 S 6/2015 Castro  
 D736,751 S \* 8/2015 Lee ..... D14/248  
 D736,752 S \* 8/2015 Lee ..... D14/248  
 D762,613 S \* 8/2016 Garneau ..... D14/172  
 D812,146 S \* 3/2018 Castro ..... D21/369  
 D812,147 S \* 3/2018 Castro ..... D21/369  
 D812,148 S \* 3/2018 Castro ..... D21/369  
 D812,149 S \* 3/2018 Castro ..... D21/369  
 D819,747 S 6/2018 Castro  
 10,181,236 B2 \* 1/2019 Goldstein ..... G07F 17/3216  
 D843,458 S \* 3/2019 Castro ..... D21/369  
 D843,477 S \* 3/2019 Lesley ..... D21/369  
 D843,478 S \* 3/2019 Lesley ..... D21/369  
 D843,479 S \* 3/2019 Castro ..... D21/369  
 D843,480 S \* 3/2019 Castro ..... D21/369  
 D843,482 S \* 3/2019 Holland ..... D21/396  
 D844,062 S \* 3/2019 Lesley ..... D21/369  
 D850,537 S \* 6/2019 Urban ..... D21/370  
 D870,820 S \* 12/2019 Urban ..... D21/369

D871,507 S \* 12/2019 Urban ..... D21/369  
 D872,190 S \* 1/2020 Zedell, Jr. .... D21/369  
 10,565,831 B2 \* 2/2020 Bolling, Jr. .... G07F 17/3267  
 10,593,152 B1 \* 3/2020 Schwartz ..... G07F 17/3239  
 10,600,286 B2 \* 3/2020 Marks ..... G07F 17/3262  
 10,614,655 B2 \* 4/2020 Kania ..... G07F 17/34  
 10,621,815 B2 \* 4/2020 Essex ..... G07F 17/34  
 10,621,827 B2 \* 4/2020 Bolling, Jr. .... G07F 17/3258  
 10,621,829 B2 \* 4/2020 Loader ..... G07F 17/3269  
 10,636,244 B1 \* 4/2020 Winston ..... G07F 17/3216  
 10,636,250 B2 \* 4/2020 Bolling, Jr. .... G07F 17/326  
 10,643,422 B2 \* 5/2020 Patel ..... E05D 5/06  
 2003/0224853 A1 \* 12/2003 Guindulain Vidondo .....  
 G07F 17/32  
 463/20  
 2015/0050982 A1 \* 2/2015 Brooks ..... G07F 17/3213  
 463/20  
 2018/0190068 A1 \* 7/2018 Priddy ..... G07F 17/3211  
 2019/0073879 A1 \* 3/2019 Marks ..... G07F 17/3267  
 2019/0311570 A1 \* 10/2019 Lamb ..... G07F 17/34

\* cited by examiner

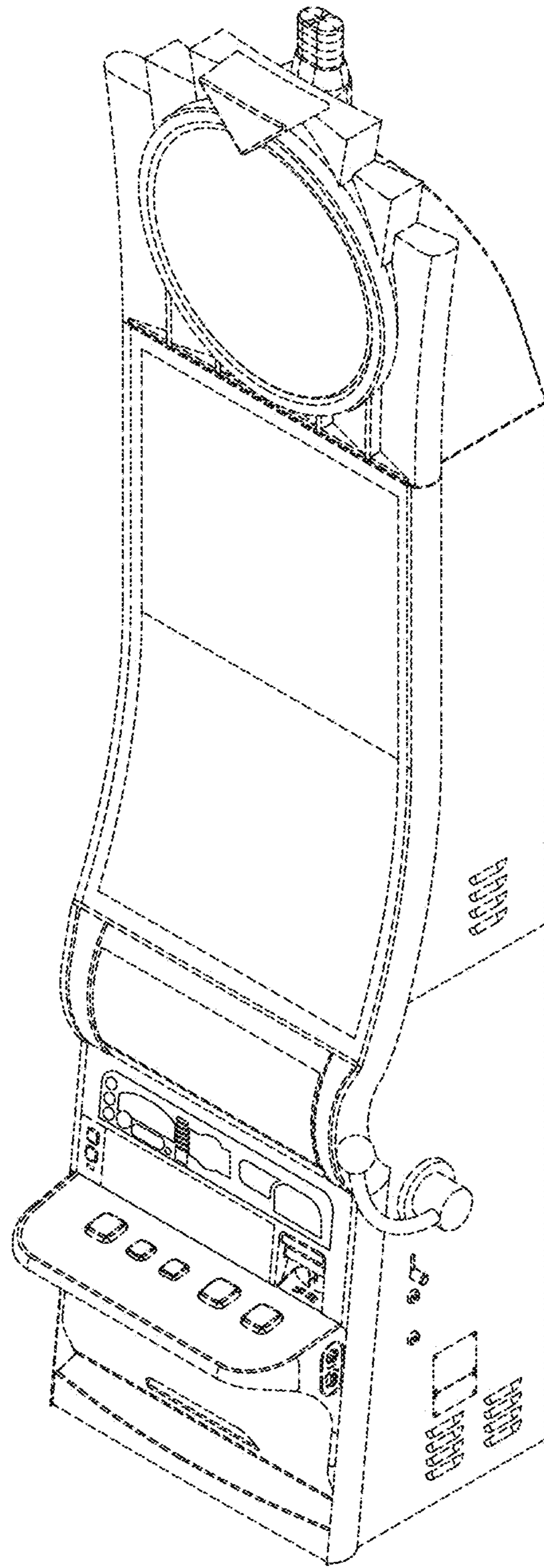


FIG. 1

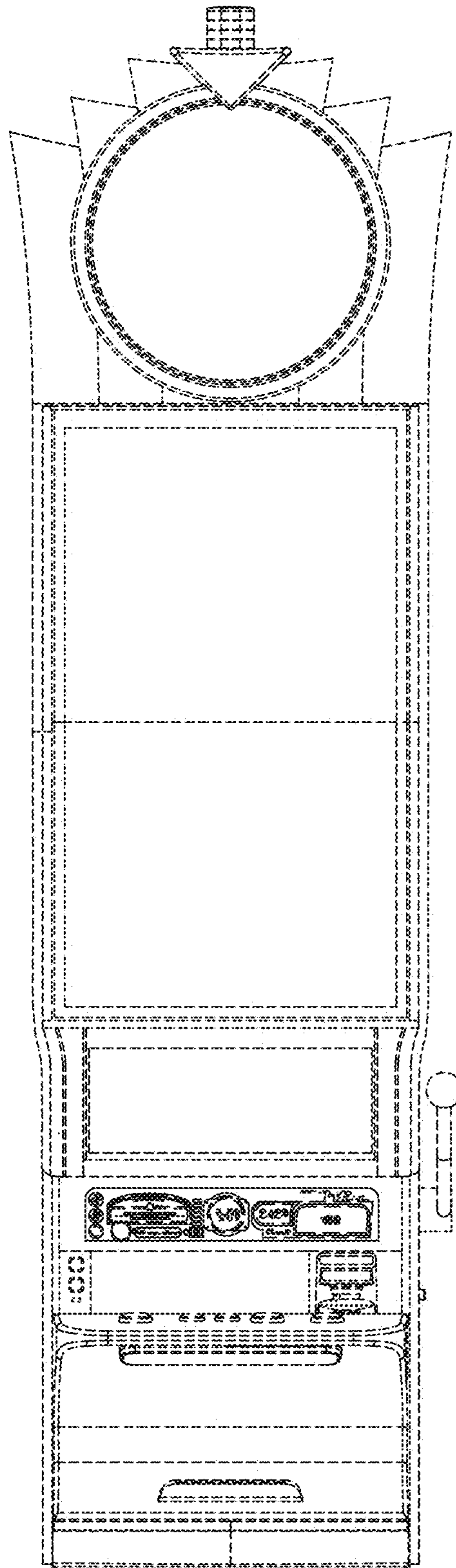


FIG. 2

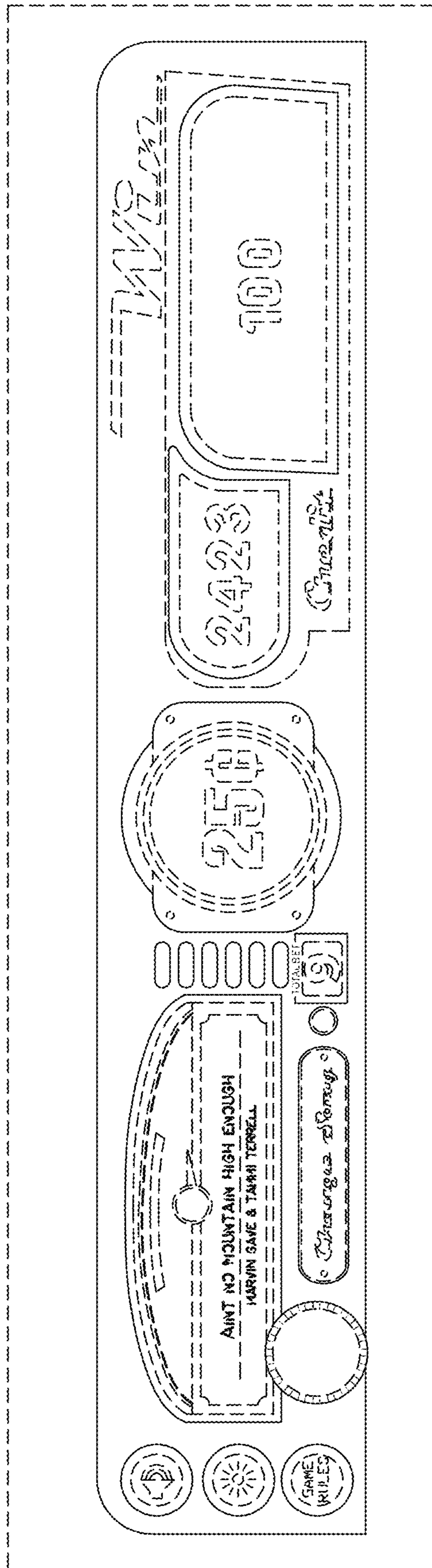


FIG. 3