



US00D914807S

(12) **United States Design Patent**  
**Olive et al.**

(10) **Patent No.:** **US D914,807 S**  
(45) **Date of Patent:** **\*\* Mar. 30, 2021**

- (54) **GAMING MACHINE ISLAND**
- (71) Applicant: **Aristocrat Technologies Australia Pty Limited**, North Ryde (AU)
- (72) Inventors: **Scott Olive**, Brookvale (AU); **John Curtis**, Biddaddaba (AU)
- (73) Assignee: **Aristocrat Technologies Australia Pty Limited**, North Ryde (AU)

D882,699 S *	4/2020	Bernard	.....	D21/385
D882,700 S *	4/2020	Wudtke	.....	D21/385
D883,393 S *	5/2020	Bernard	.....	D21/385
D891,520 S *	7/2020	Urban	.....	D21/385
D900,229 S *	10/2020	Bussey	.....	D21/369
D904,523 S *	12/2020	Legras	.....	D21/369
2019/0102974 A1 *	4/2019	Bussey	.....	G07F 17/3211
2020/0364969 A1 *	11/2020	Pececnik	.....	G07F 17/322
2020/0372757 A1 *	11/2020	Cire	.....	G07F 17/3223
2020/0388106 A1 *	12/2020	Urban	.....	G07F 17/3213

\* cited by examiner

(\*\*) Term: **15 Years**

(21) Appl. No.: **29/708,289**

(22) Filed: **Oct. 4, 2019**

(51) **LOC (13) Cl.** ..... **21-03**

(52) **U.S. Cl.**  
USPC ..... **D21/369**

(58) **Field of Classification Search**  
USPC ..... D21/369, 308, 324, 333, 334, 366, 367,  
D21/392, 395, 397, 300, 371, 374, 376,  
D21/380, 385, 363, 365, 325, 329;  
D6/308, 309  
CPC ..... G07F 17/321; G07F 17/3213  
See application file for complete search history.

(56) **References Cited**

**U.S. PATENT DOCUMENTS**

D326,285 S *	5/1992	Leveille	.....	D21/347
D444,508 S *	7/2001	George	.....	D21/363
D714,875 S *	10/2014	Wudtke	.....	D21/385
10,019,873 B2 *	7/2018	Okuaki	.....	G07F 17/329
D877,811 S *	3/2020	Bernard	.....	D21/369
D880,605 S *	4/2020	Bussey	.....	D21/369

*Primary Examiner* — Khawaja Anwar

*Assistant Examiner* — Julice Seung Eun Oum

(74) *Attorney, Agent, or Firm* — McAndrews, Held & Malloy, Ltd.

(57) **CLAIM**

The ornamental design for a gaming machine island, as shown and described.

**DESCRIPTION**

FIG. 1 is a front perspective view of a gaming machine island showing our new design according to a first embodiment;

FIG. 2 is a front elevation view thereof;

FIG. 3 is a rear elevation view thereof;

FIG. 4 is a right side elevation view thereof;

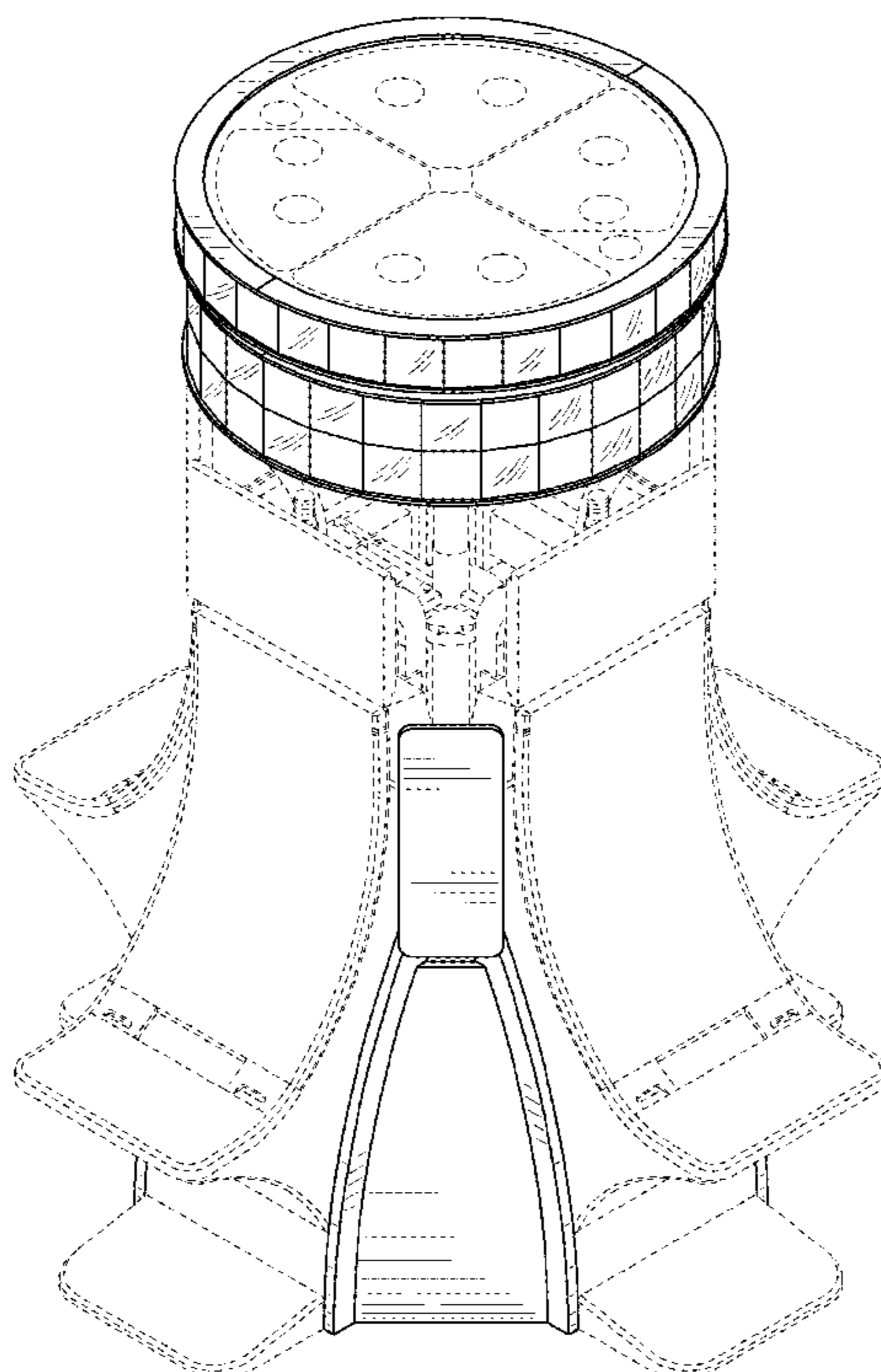
FIG. 5 is a left side elevation view thereof;

FIG. 6 is a top plan view thereof; and,

FIG. 7 is a bottom plan view thereof.

The dashed broken lines in the figures illustrate portions of the gaming machine island that form no part of the claimed design.

**1 Claim, 7 Drawing Sheets**



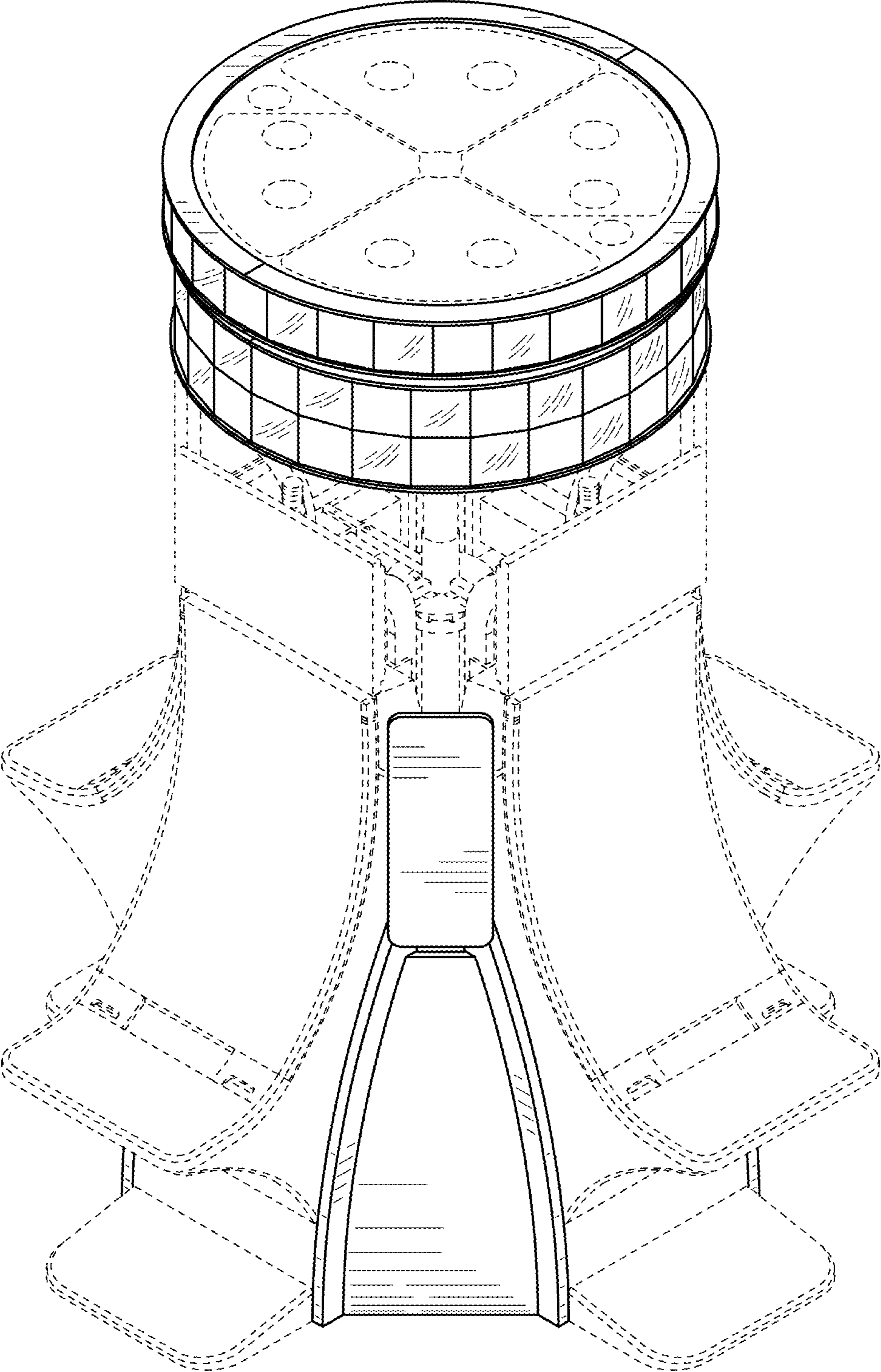


FIG. 1

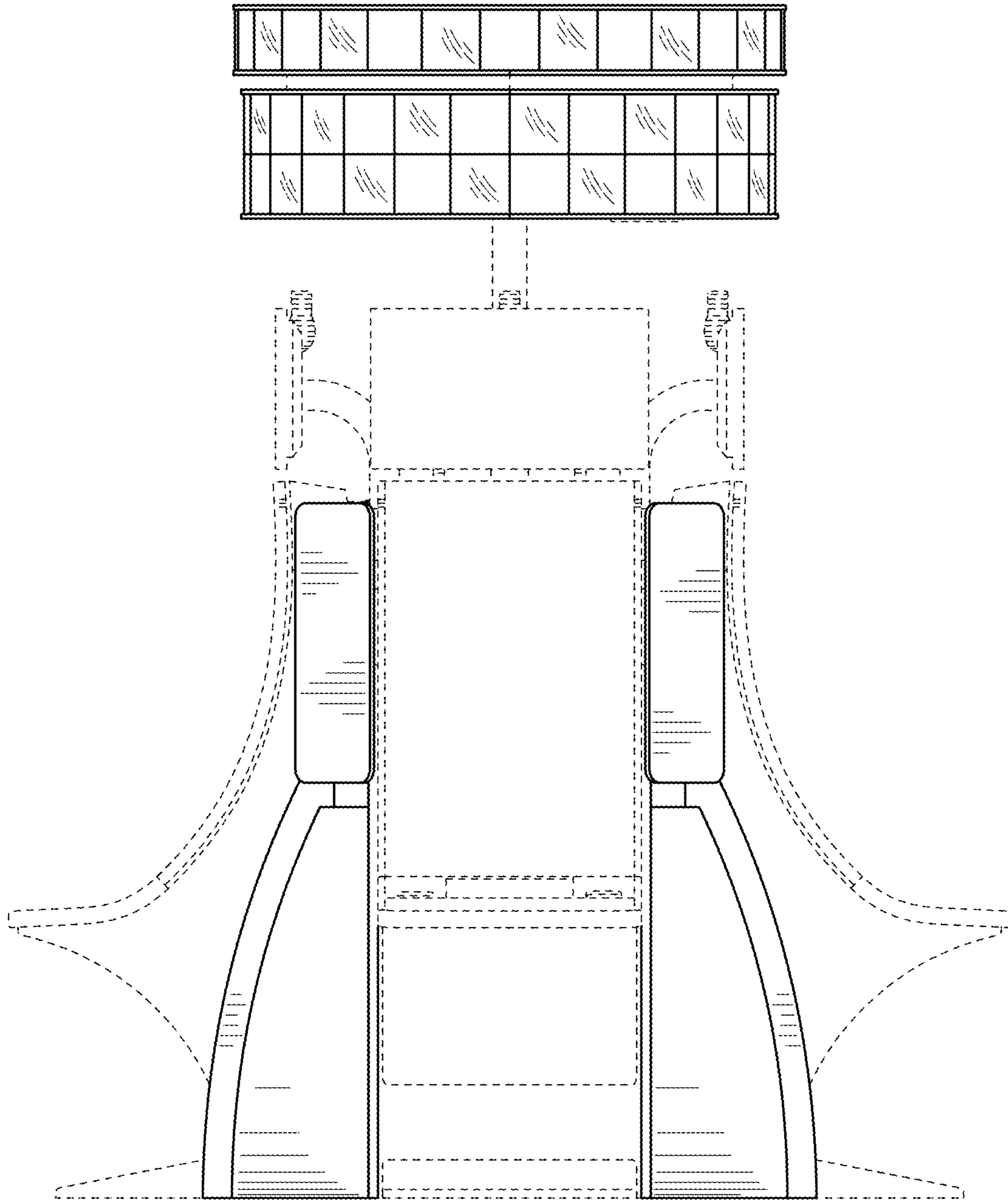


FIG. 2

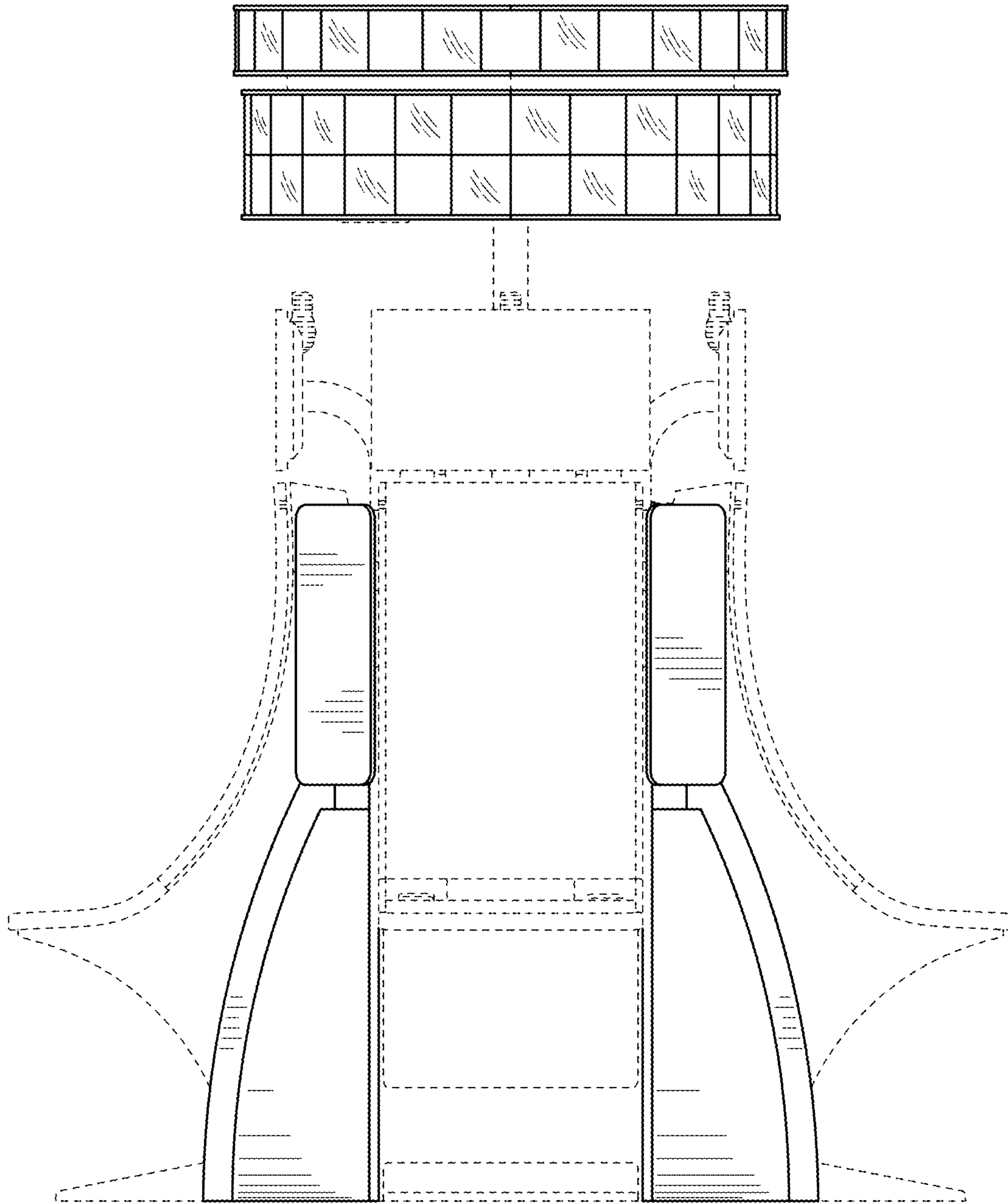


FIG. 3



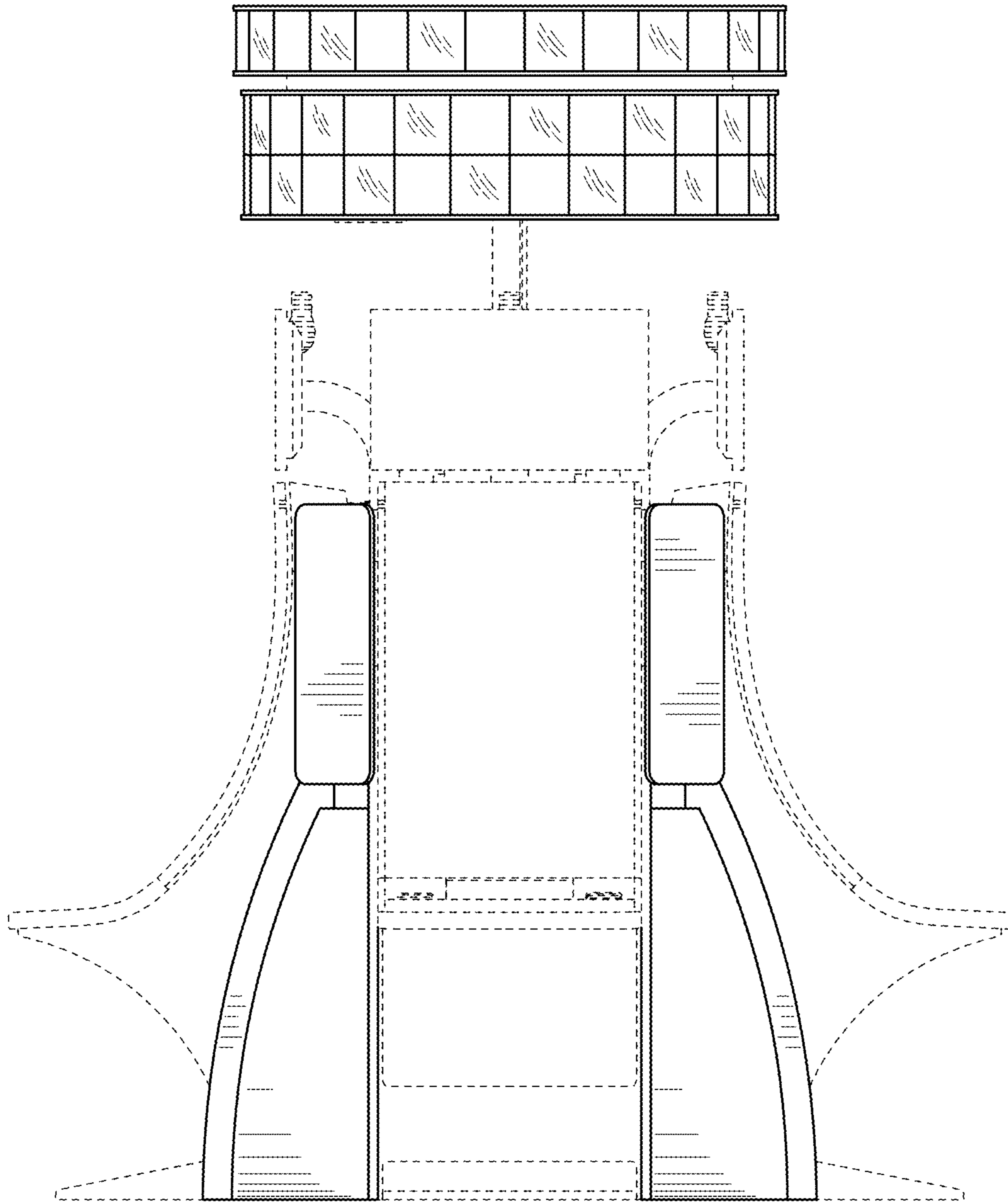


FIG. 4

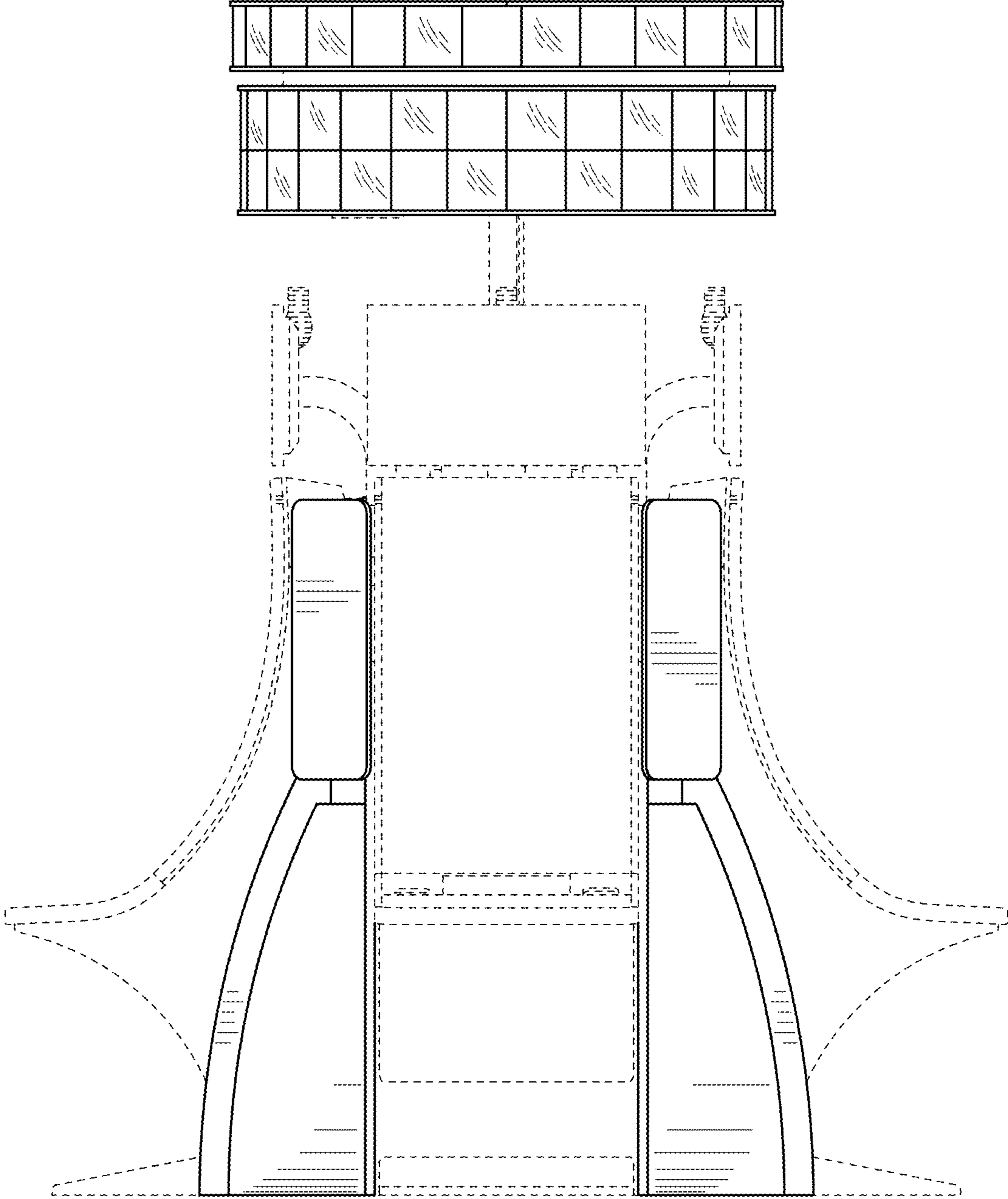


FIG. 5

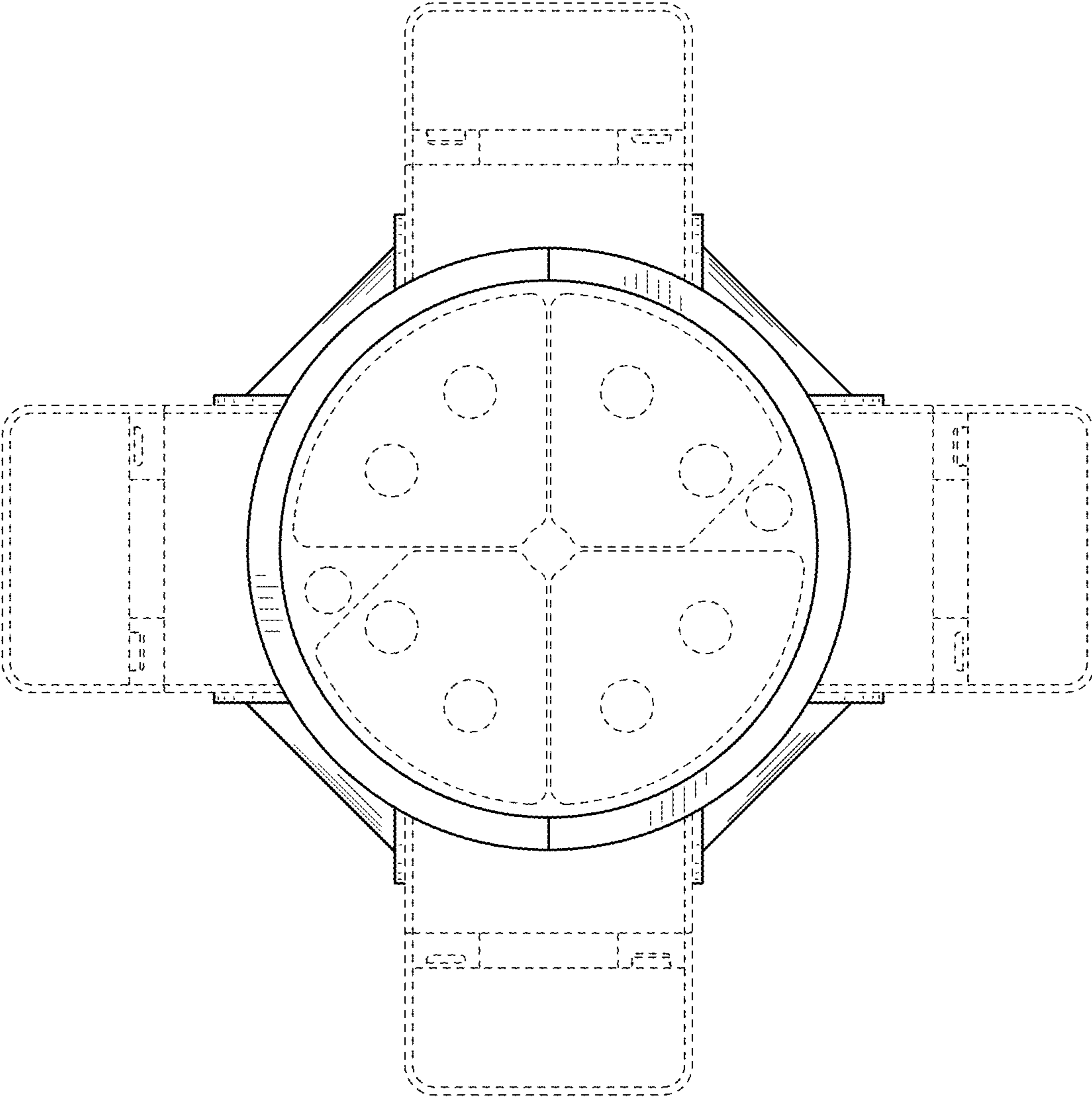


FIG. 6

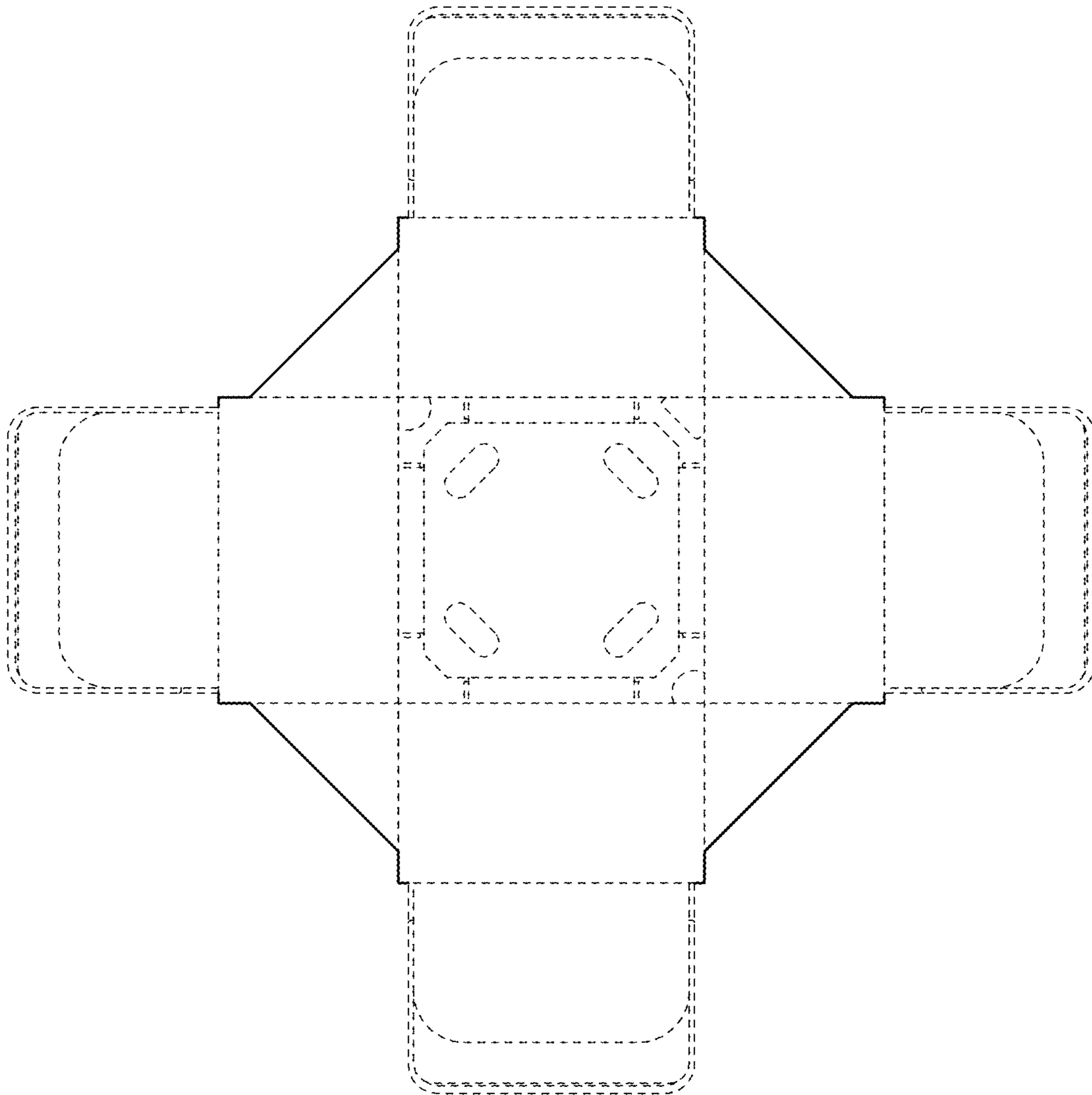


FIG. 7