



US00D914800S

(12) **United States Design Patent**
Kaluza

(10) **Patent No.:** **US D914,800 S**

(45) **Date of Patent:** **** Mar. 30, 2021**

(54) **MACHINE FOR CUTTING PAPER**

(71) Applicant: **Erwin Müller GmbH**, Lingen (DE)

(72) Inventor: **Georg Kaluza**, Velbert (DE)

(73) Assignee: **ERWIN MÜLLER GMBH**, Lingen (DE)

(**) Term: **15 Years**

(21) Appl. No.: **29/699,227**

(22) Filed: **Jul. 24, 2019**

(30) **Foreign Application Priority Data**

Jan. 24, 2019 (EM) 006083853-0002

(51) **LOC (13) Cl.** **18-04**

(52) **U.S. Cl.**
USPC **D18/34.8**

(58) **Field of Classification Search**
USPC D8/98, 499; D15/127, 129, 139, 140;
D18/34.3, 34.8; D19/72, 100
CPC B26B 25/00; B26B 25/002; B26B 25/005;
B26B 25/007; B26B 29/06; B26D 7/00;
B26D 7/0006; B26D 7/27
See application file for complete search history.

(56) **References Cited**

U.S. PATENT DOCUMENTS

- 3,233,493 A * 2/1966 Suverkrop G03D 15/04
83/694
- D276,528 S * 11/1984 Shaffer D15/127
- D295,866 S * 5/1988 Davis D15/127
- 4,967,628 A * 11/1990 Judd B26D 1/045
83/455
- D319,840 S * 9/1991 Hatsumi D18/34.8
- D322,974 S * 1/1992 Mori D18/34.8
- D348,271 S * 6/1994 Mori D15/129
- 5,322,001 A * 6/1994 Boda B23D 35/008
83/455
- D353,150 S * 12/1994 Mori D18/34.8

- 5,524,515 A * 6/1996 Boda B23D 35/008
83/455
- D379,193 S * 5/1997 Cornell D18/34.8
- D381,359 S * 7/1997 Mori D18/34.8
- 5,802,942 A * 9/1998 Cornell B26D 1/045
402/4
- 5,819,618 A * 10/1998 Rodriguez B26D 1/185
83/56
- D415,519 S * 10/1999 Mori D18/34.8
- D417,693 S * 12/1999 Daley, Jr. D18/34.8
- D425,548 S * 5/2000 Rellinger D18/34.8
- D469,461 S * 1/2003 Gstalder D18/34.8
- D469,800 S * 2/2003 Robillard D18/34.8

(Continued)

OTHER PUBLICATIONS

Dahle, 550, (site visited Sep. 9, 2020), Dahle.com, URL:<<https://www.dahle.com/trimmer/item/550>> (Year: 2020).*

(Continued)

Primary Examiner — Sheryl Lane

Assistant Examiner — Mark T. Philipps

(74) *Attorney, Agent, or Firm* — Bachman and Lapointe PC; George Coury

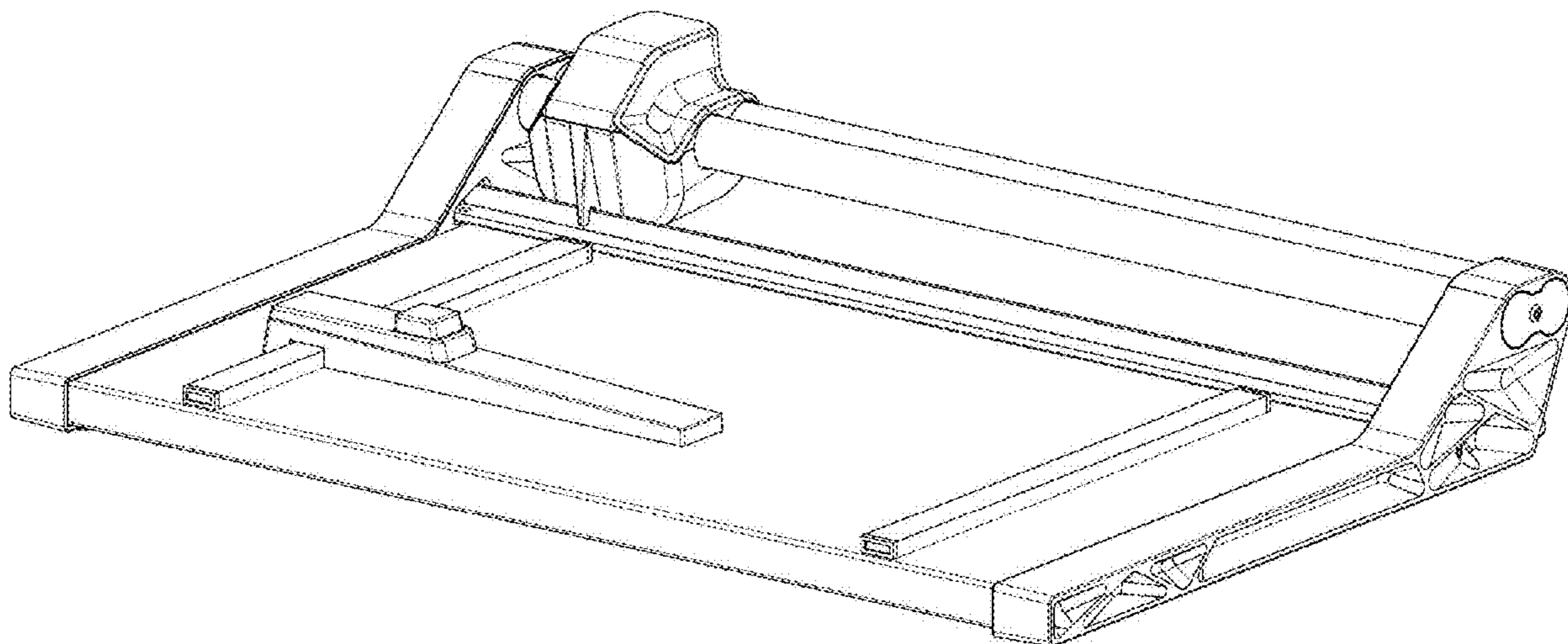
(57) **CLAIM**

The ornamental design for a machine for cutting paper, as described and shown.

DESCRIPTION

FIG. 1 is a perspective view of a machine for cutting paper showing our new design;
FIG. 2 is a left side elevational view thereof;
FIG. 3 is a rear perspective view thereof;
FIG. 4 is a rear elevational view thereof;
FIG. 5 is a right side elevational view thereof;
FIG. 6 is a front elevational view thereof; and,
FIG. 7 is a top plan view thereof.

1 Claim, 7 Drawing Sheets



(56)

References Cited

U.S. PATENT DOCUMENTS

D477,017 S * 7/2003 Vossler D18/34.7
 D501,500 S * 2/2005 Schultz B26D 7/015
 D501,501 S * 2/2005 Schultz D18/34.8
 D503,191 S * 3/2005 Mori D18/34.8
 D528,590 S * 9/2006 Bathard D18/34.8
 D529,945 S * 10/2006 Gunter D18/34.9
 D531,204 S * 10/2006 Nakamura D18/34.8
 D559,304 S * 1/2008 Lam D18/34.8
 D559,305 S * 1/2008 Lam D18/34.8
 D581,455 S * 11/2008 Davies D18/34.8
 D593,598 S * 6/2009 Phillips D18/34.8
 D625,744 S * 10/2010 Wang D15/127
 D675,251 S * 1/2013 Roberts D18/34.3
 D692,035 S * 10/2013 Pedersen D15/127
 D734,813 S * 7/2015 Hales D18/34.3
 D756,186 S * 5/2016 Sarmiento D8/51
 D844,701 S * 4/2019 Li D18/34.8
 D874,559 S * 2/2020 Umezawa D18/34.3
 2004/0098867 A1 * 5/2004 Tseng B26B 25/007
 2005/0039589 A1 * 2/2005 Mori B26D 7/025
 2005/0223863 A1 * 10/2005 Volfson B26D 5/02
 2006/0090621 A1 * 5/2006 Shimizu B26D 7/025

2006/0156885 A1 * 7/2006 Wu B26D 5/02
 83/485
 2006/0156886 A1 * 7/2006 Suzuki B26D 7/025
 83/485
 2006/0260455 A1 * 11/2006 Yeghiayan B26D 1/185
 83/455
 2007/0157783 A1 * 7/2007 Chiang B26D 1/185
 83/485
 2007/0157785 A1 * 7/2007 Chiang B26D 9/00
 83/607
 2009/0000442 A1 * 1/2009 Peterson B26D 7/015
 83/56
 2010/0101098 A1 * 4/2010 Hsu B26B 25/007
 30/319
 2010/0192744 A1 * 8/2010 Xu B26B 29/06
 83/481
 2012/0011977 A1 * 1/2012 Singer B26D 7/2621
 83/471.2
 2019/0240853 A1 * 8/2019 Mortensen B26B 21/185
 2019/0262918 A1 * 8/2019 DeSantis B26B 29/06

OTHER PUBLICATIONS

Rotatrim, Professional M Series 15" Medium-Duty Rotary Trimmer M15T, (site visited Sep. 9, 2020), EngineerSupply.com, URL:<<https://www.engineersupply.com/RotaTrim-RCM15-Pro-M-Series-15-15-Inch-Rotary-Trimmer-60110.aspx>> (Year: 2020).*

* cited by examiner

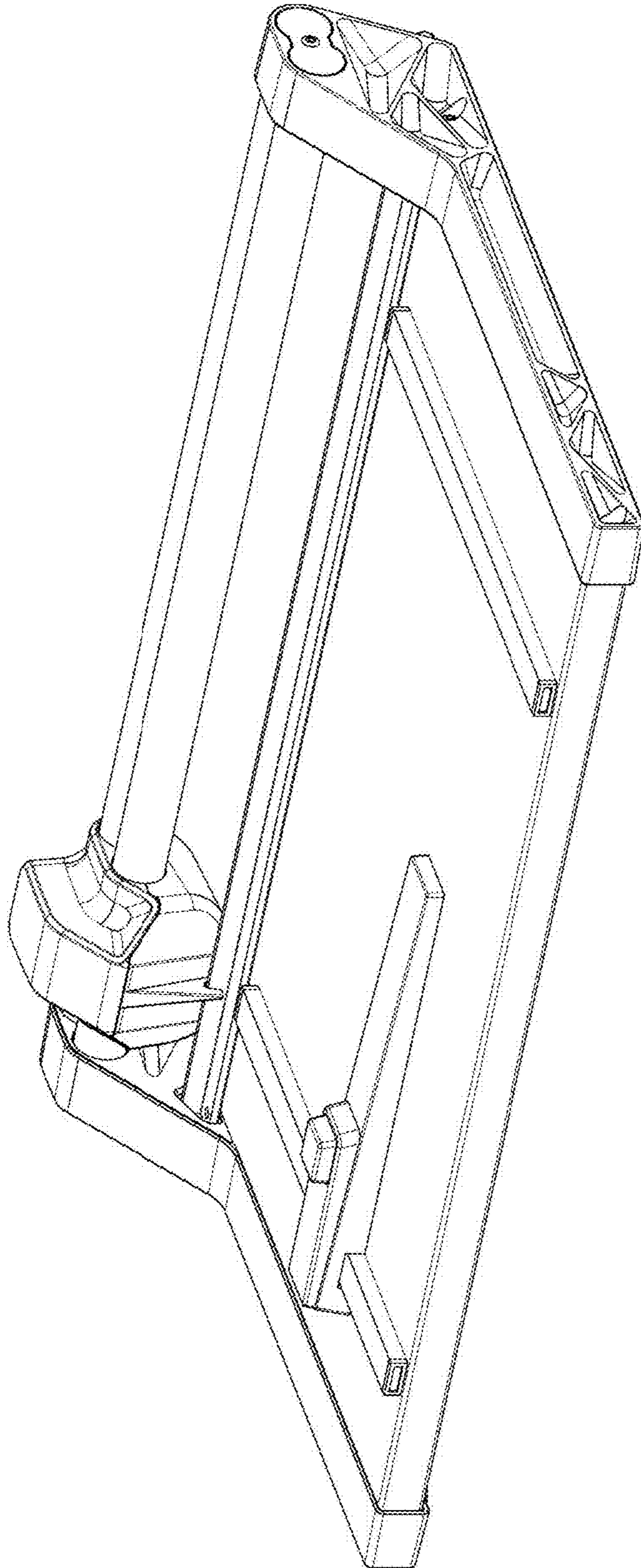


FIG. 1

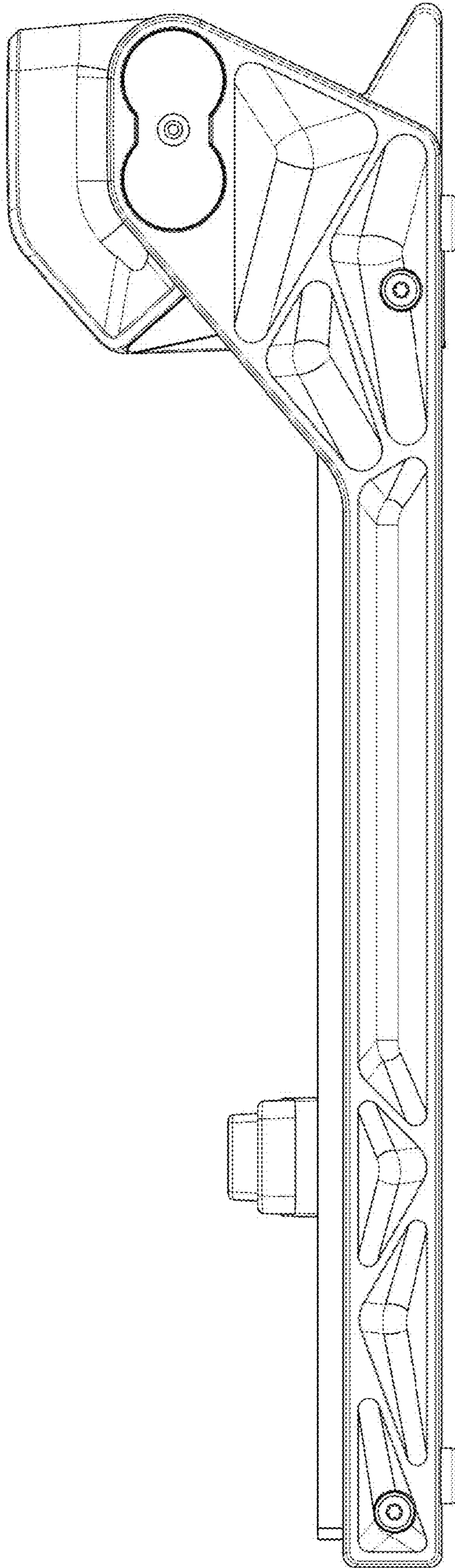


FIG. 2

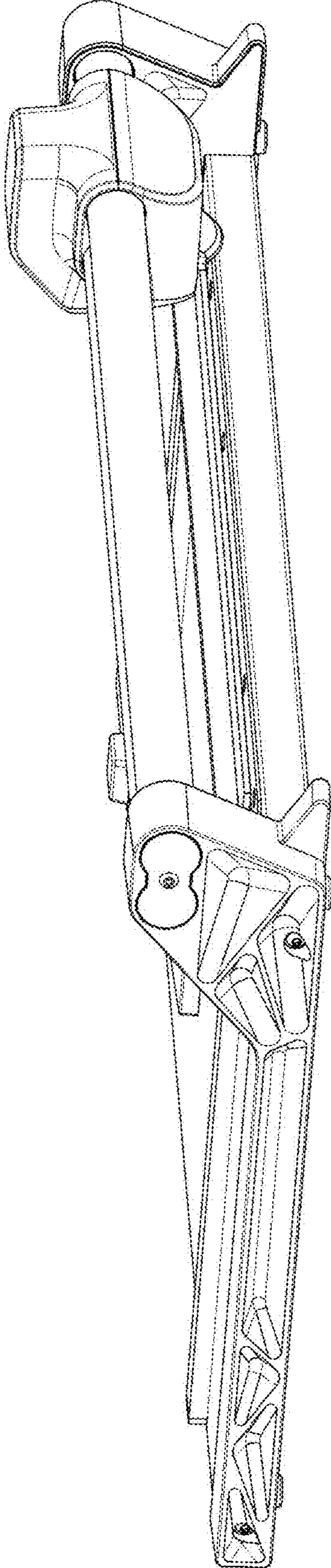


FIG. 3

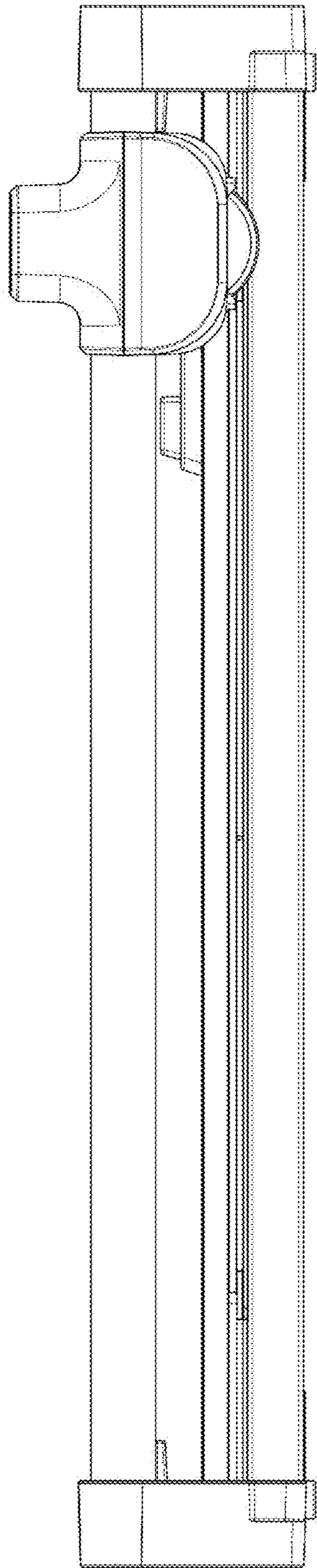


FIG. 4

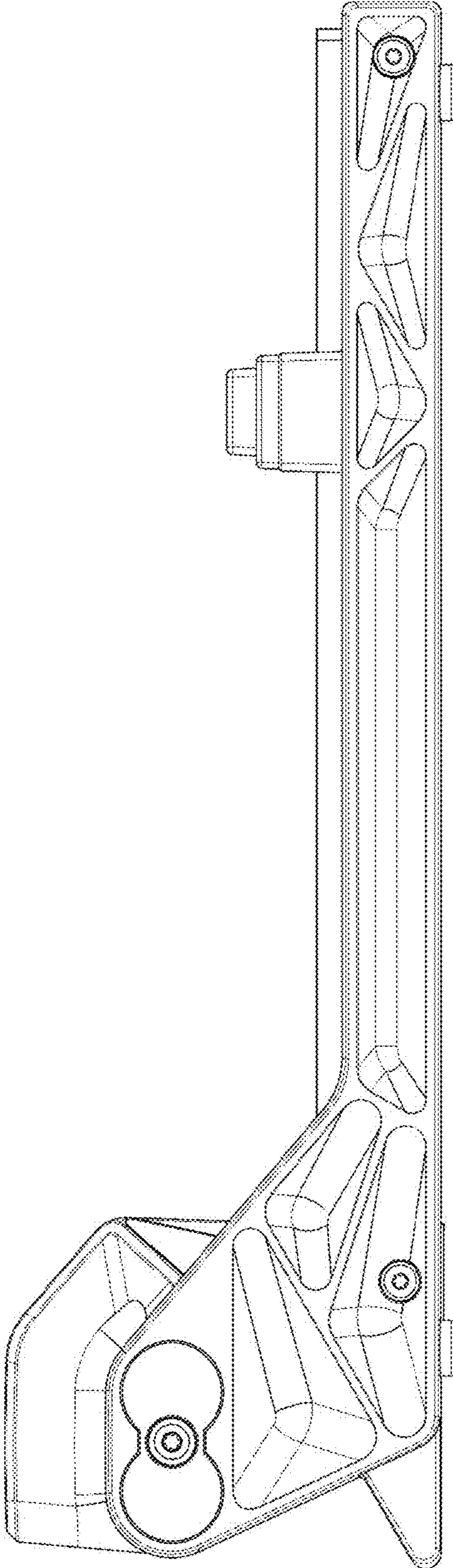


FIG. 5

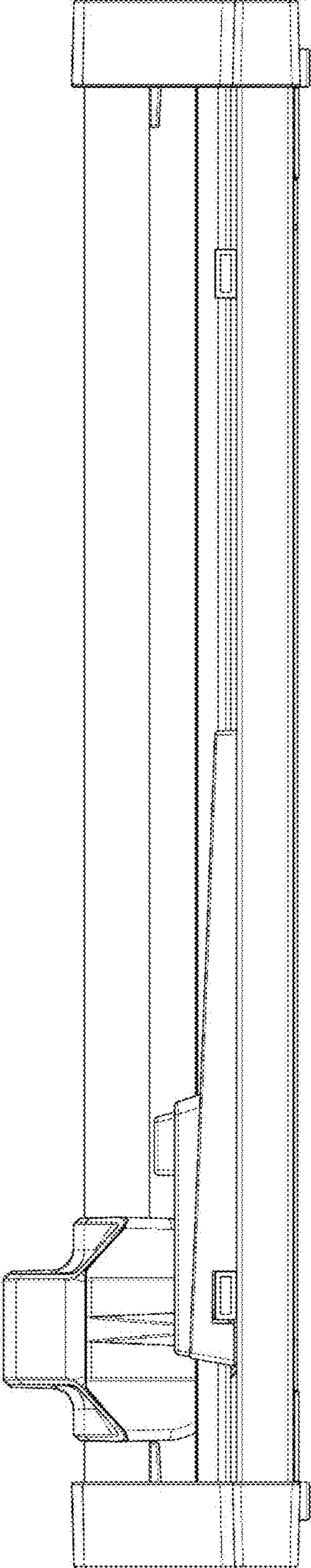


FIG. 6

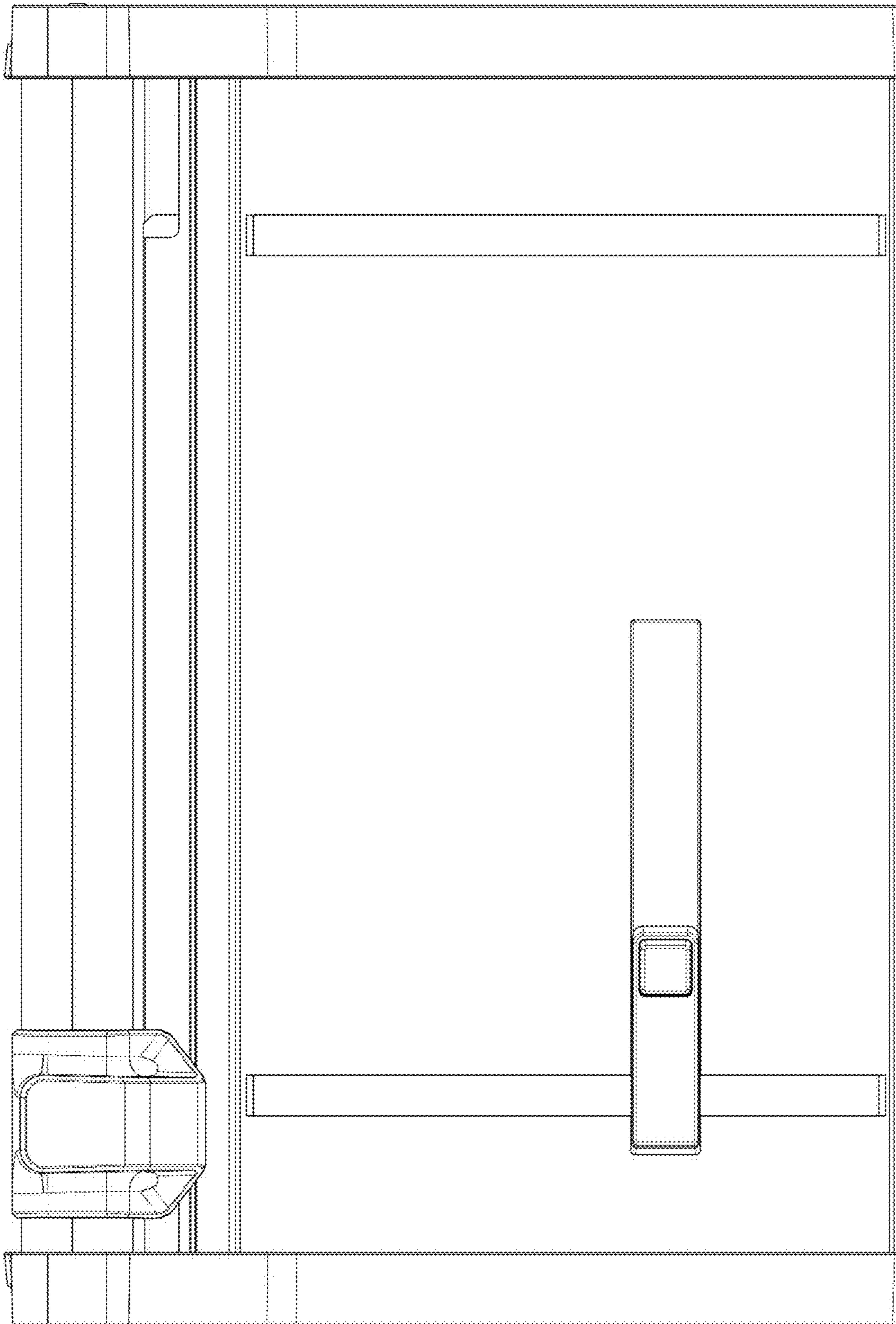


FIG. 7