



US00D914798S

(12) **United States Design Patent**
Yang

(10) **Patent No.:** **US D914,798 S**

(45) **Date of Patent:** **** Mar. 30, 2021**

(54) **STEEL TONGUE DRUM**

(71) Applicant: **Fei Yang**, Xingping (CN)

(72) Inventor: **Fei Yang**, Xingping (CN)

(**) Term: **15 Years**

(21) Appl. No.: **29/718,503**

(22) Filed: **Dec. 25, 2019**

(51) **LOC (13) Cl.** **17-04**

(52) **U.S. Cl.**
USPC **D17/22**

(58) **Field of Classification Search**
USPC D17/22, 99; D21/405
CPC G10D 13/00; G10D 13/01; G10D 13/02;
G10D 13/20; G10D 99/00
See application file for complete search history.

(56) **References Cited**

U.S. PATENT DOCUMENTS

D620,041 S * 7/2010 Doe G10D 13/08
D17/22
8,492,632 B1 * 7/2013 Doe G10D 13/08
84/406

D766,356 S * 9/2016 Rohner D17/22
10,373,594 B1 * 8/2019 Doe G10D 13/08
D885,478 S * 5/2020 Chen D17/22
D897,420 S * 9/2020 Chen D17/22
2015/0364121 A1 * 12/2015 Gungor G10D 13/16
84/411 R
2016/0253984 A1 * 9/2016 Zamarripa G10G 5/00
248/305

* cited by examiner

Primary Examiner — R. Johnson

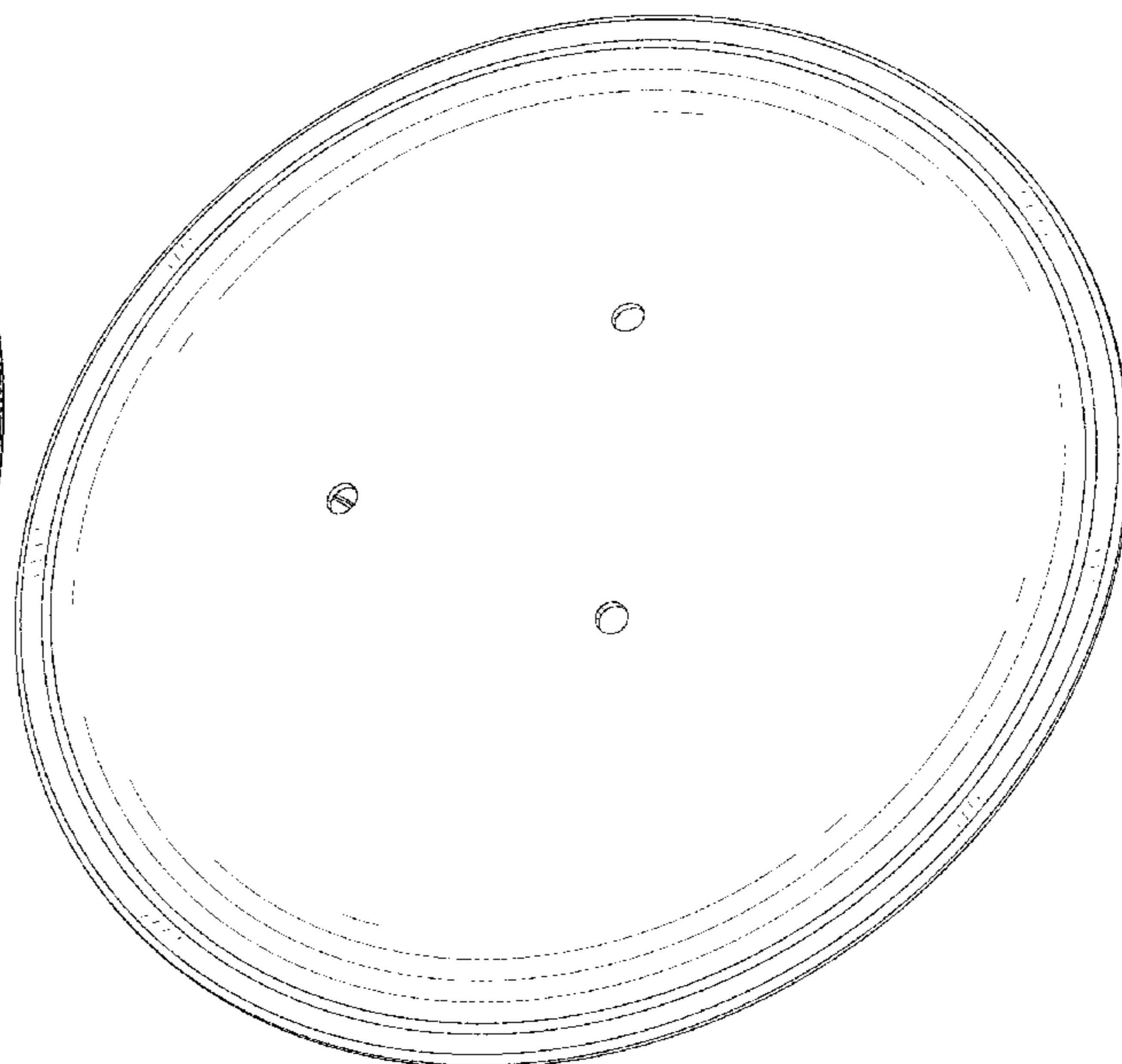
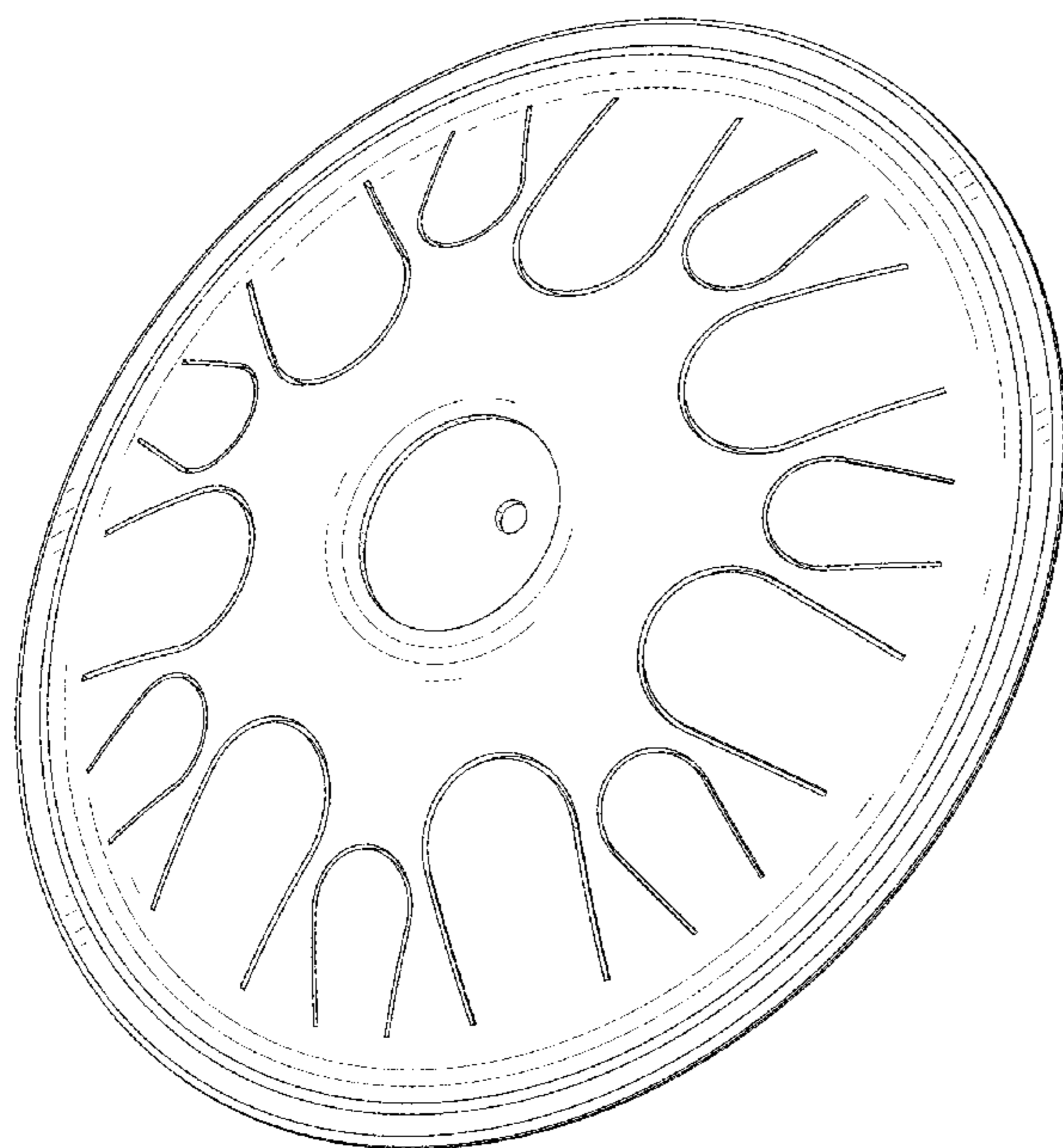
(57) **CLAIM**

The ornamental design for a steel tongue drum, as shown and described.

DESCRIPTION

FIG. 1 is a perspective view of a steel tongue drum showing my new design;
FIG. 2 is another perspective view thereof;
FIG. 3 is a front elevational view thereof;
FIG. 4 is a rear elevational view thereof;
FIG. 5 is a left side elevational view thereof;
FIG. 6 is a right side elevational view thereof;
FIG. 7 is a top plan view thereof; and,
FIG. 8 is a bottom plan view thereof.

1 Claim, 8 Drawing Sheets



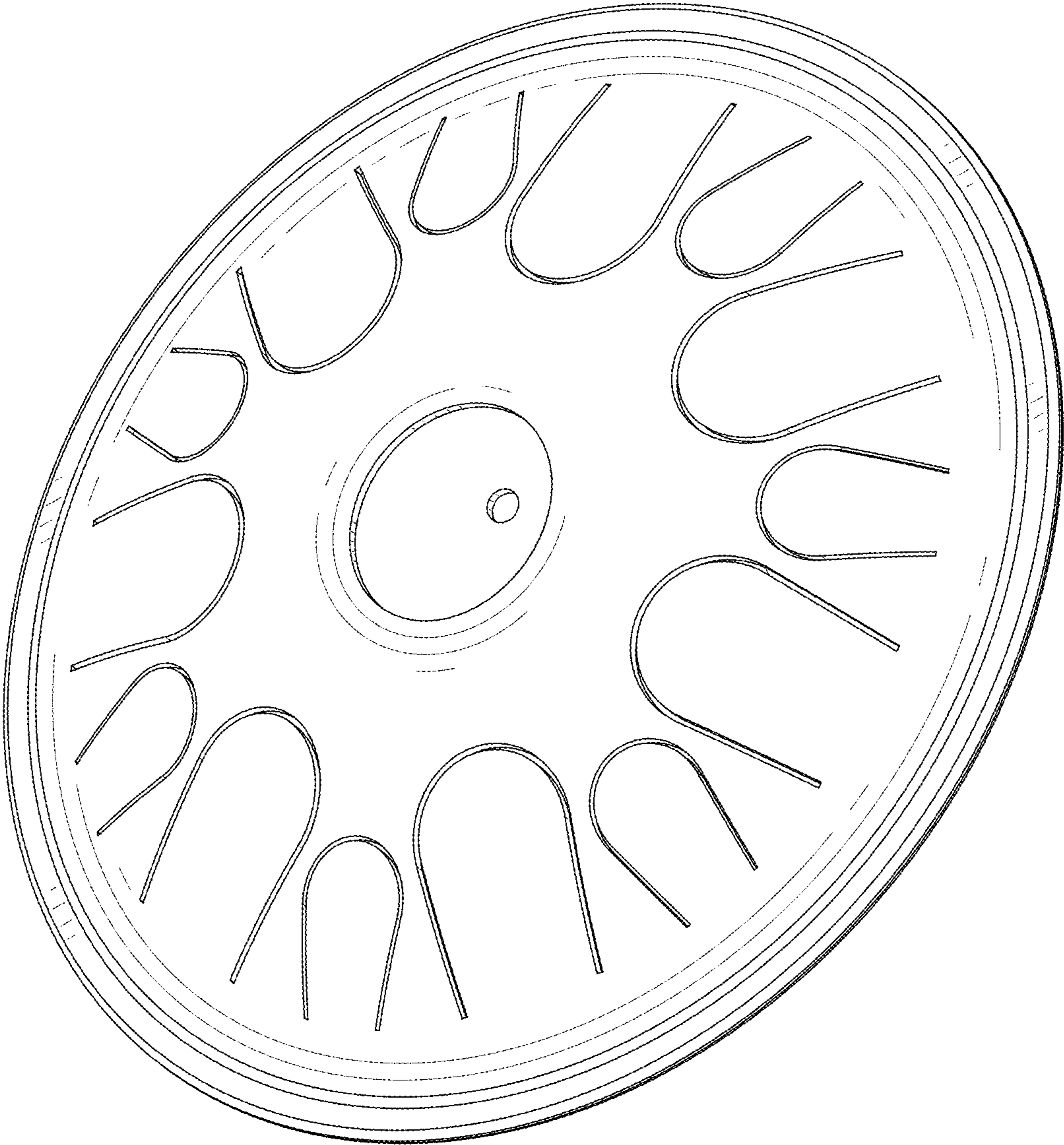


FIG. 1

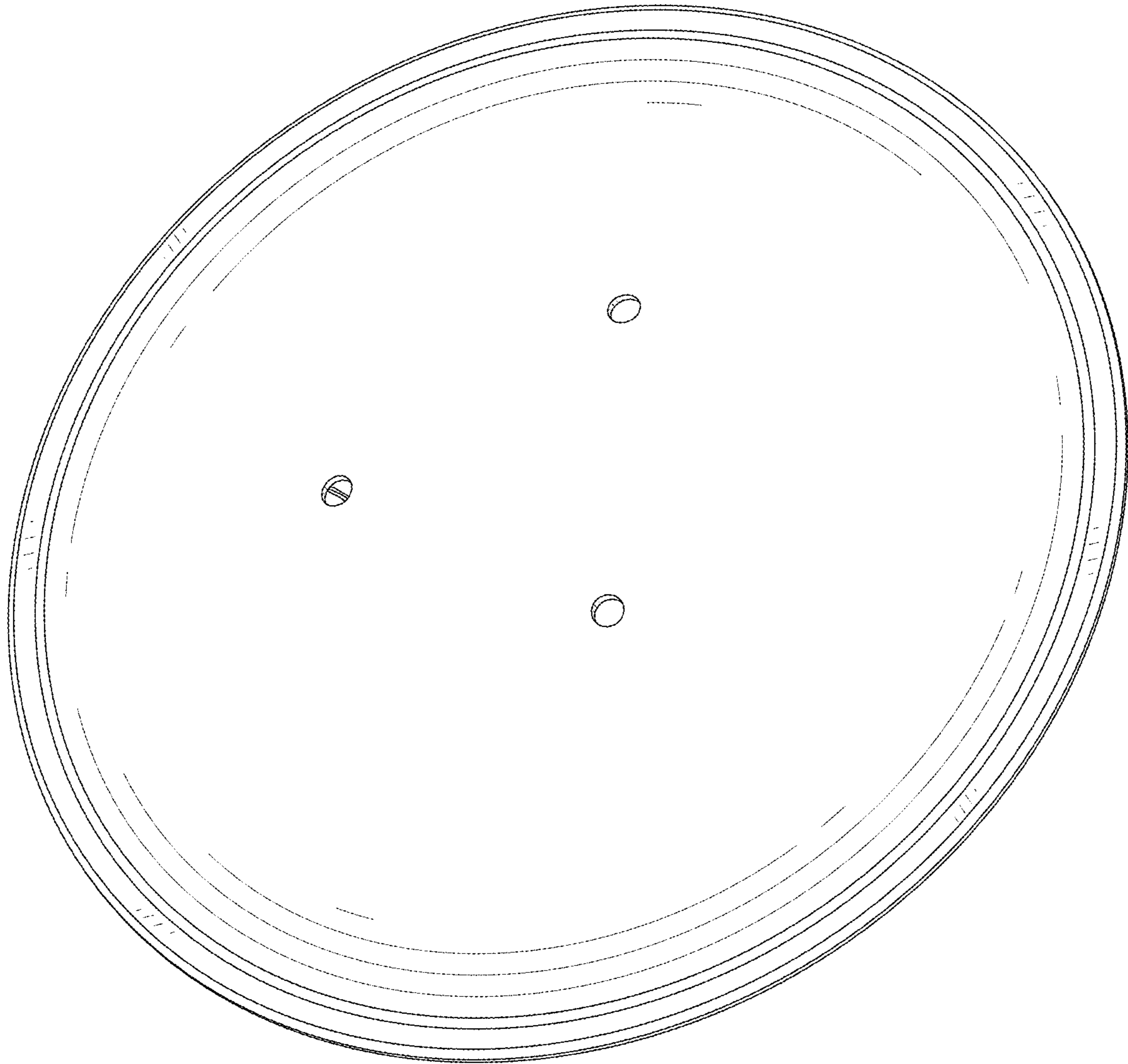


FIG. 2

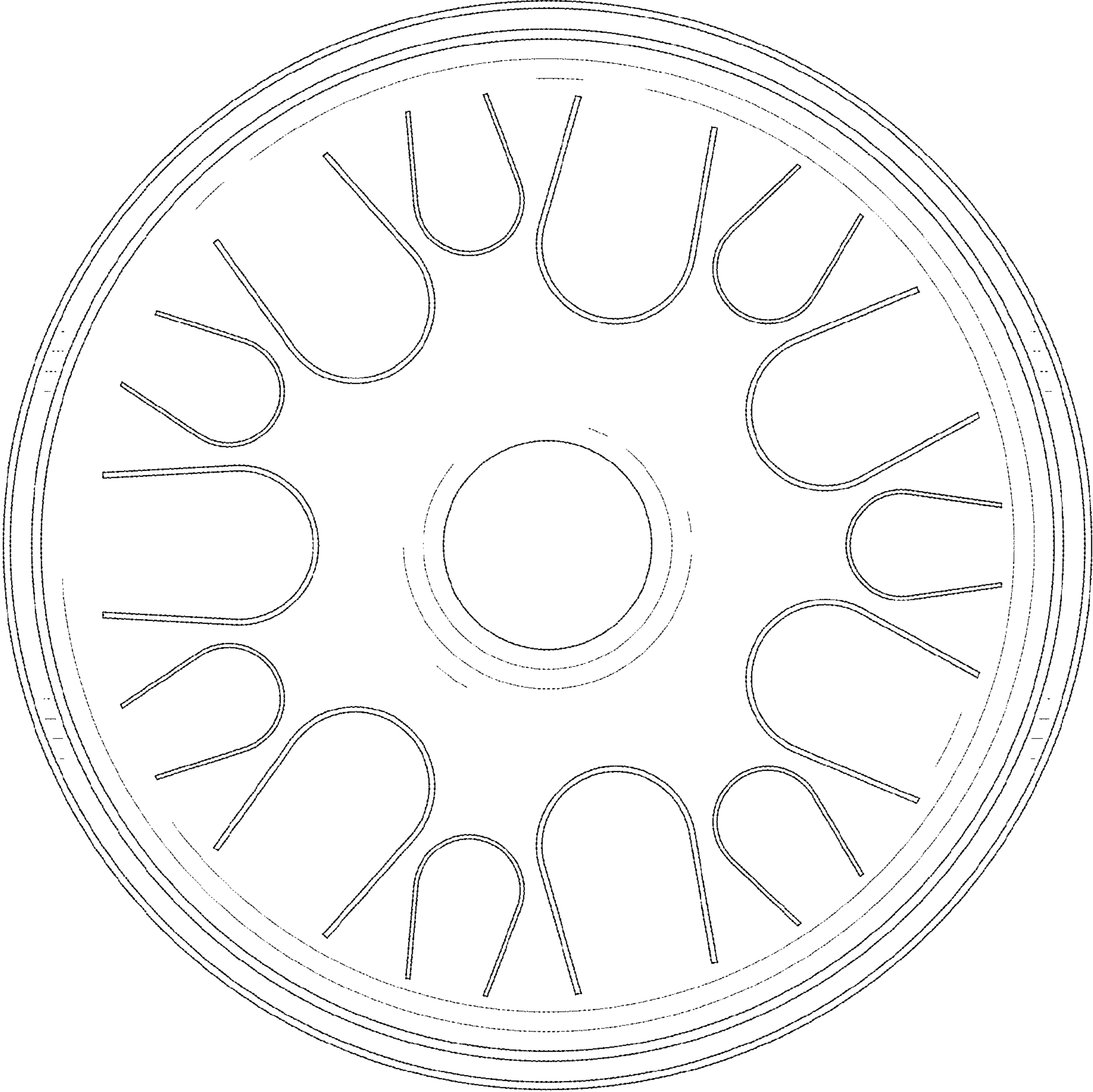


FIG. 3

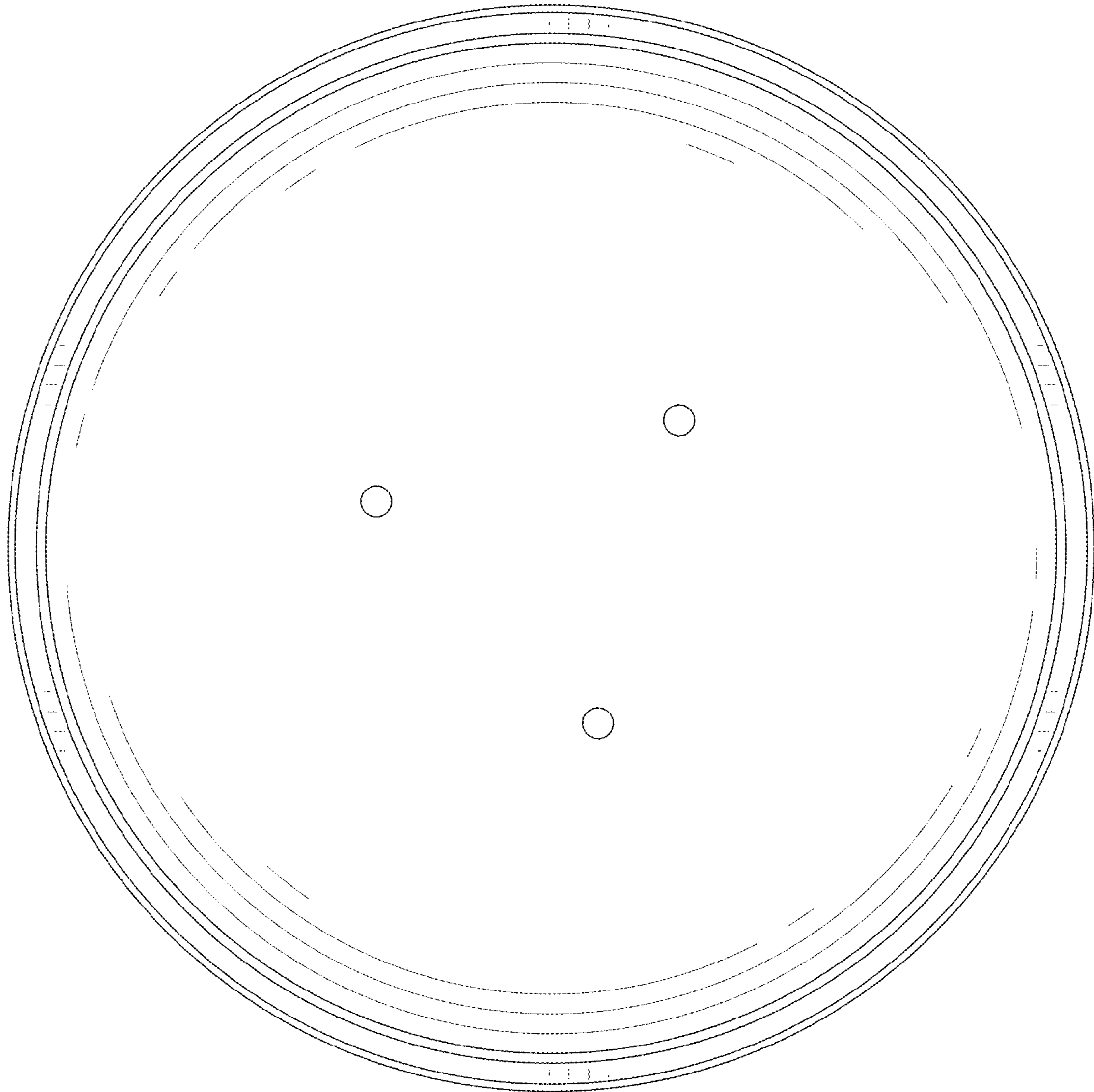


FIG. 4

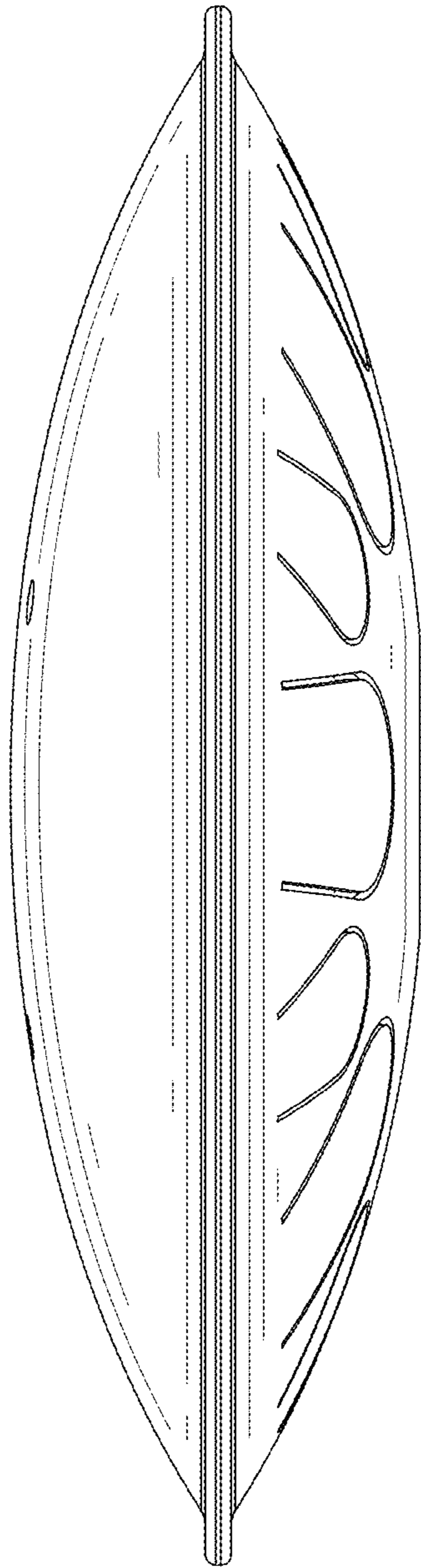


FIG. 5

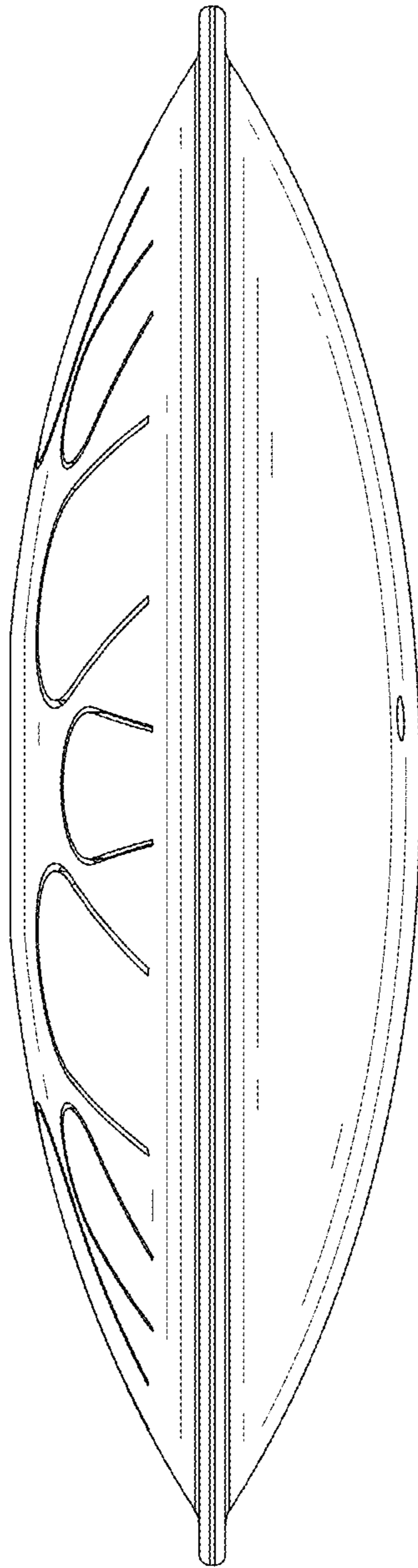


FIG. 6

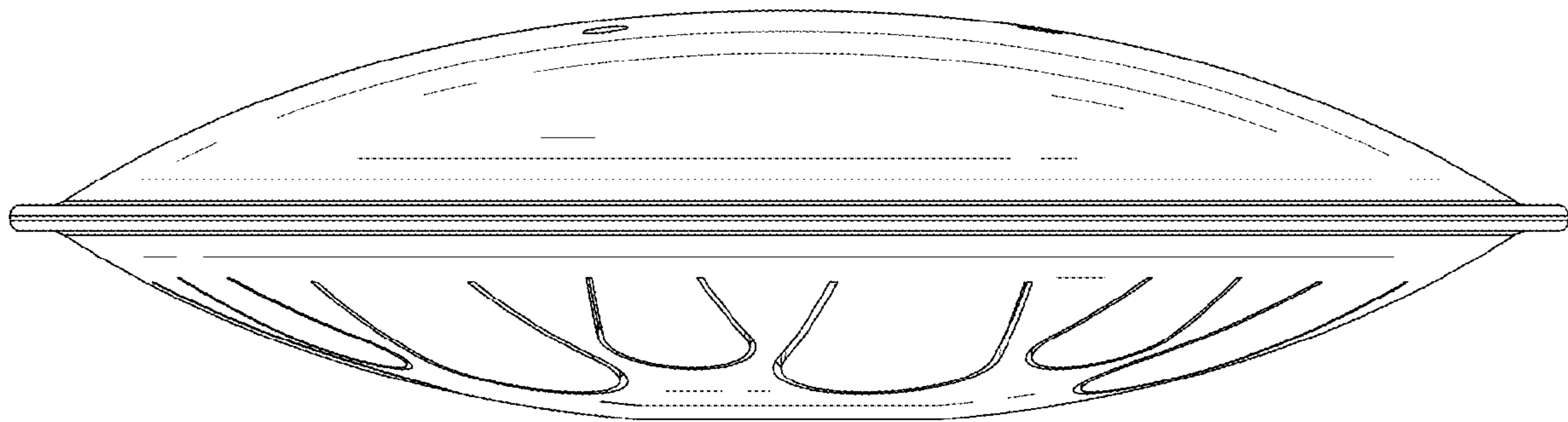


FIG. 7

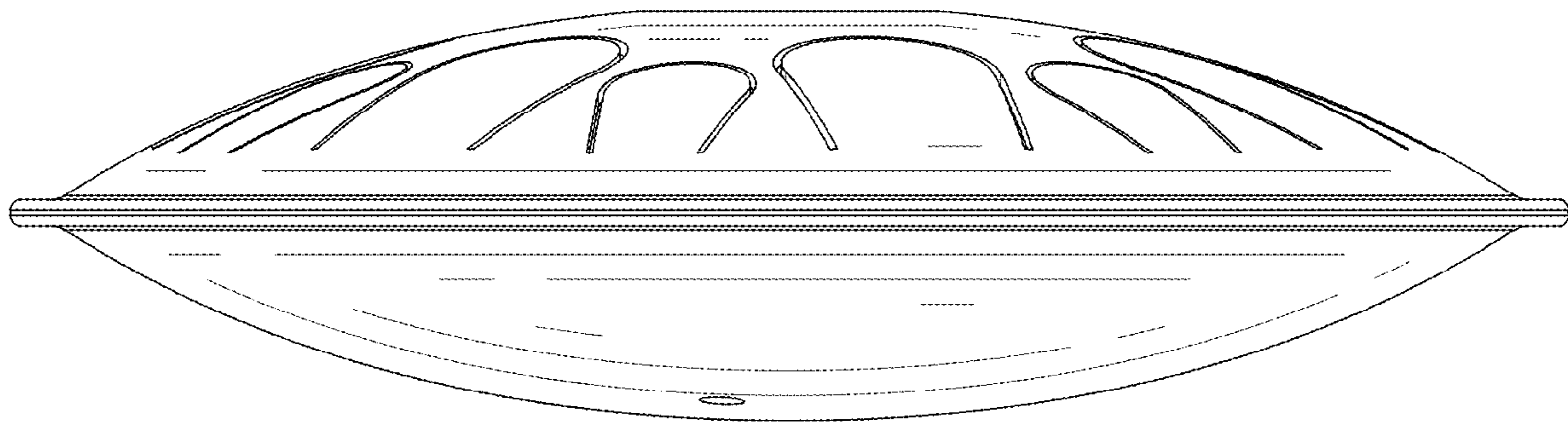


FIG. 8