



US00D914793S

(12) **United States Design Patent**
Lamprecht et al.

(10) **Patent No.:** **US D914,793 S**

(45) **Date of Patent:** **** Mar. 30, 2021**

(54) **CAMERA MOUNT**

(71) Applicant: **Allbro (Pty) Ltd**, Boksburg (ZA)

(72) Inventors: **Quintin Lamprecht**, Boksburg (ZA);
Arend de Waal, Bloemfontein (ZA)

(73) Assignee: **Allbro (Pty) Ltd**, Boksburg (ZA)

(**) Term: **15 Years**

(21) Appl. No.: **29/705,365**

(22) Filed: **Sep. 11, 2019**

(30) **Foreign Application Priority Data**

Mar. 11, 2019 (ZA) A2019/00358

(51) **LOC (13) Cl.** **16-05**

(52) **U.S. Cl.**
USPC **D16/242**

(58) **Field of Classification Search**

USPC D16/219, 237-250; D14/229, 238, 251,
D14/253, 447, 451, 457; D8/354, 355,
D8/363, 373, 382-383, 394-396

CPC A45F 2200/0508-0533; A45F 5/00; A45F
5/10; F16M 11/06-10; F16M 11/14;
G02B 7/00-002; G03B 17/56; G03B
17/561-566; H04N 5/2253-2254

See application file for complete search history.

(56) **References Cited**

U.S. PATENT DOCUMENTS

D308,389 S *	6/1990	Horn	D16/219
D445,819 S *	7/2001	Backs	D16/242
D459,364 S *	6/2002	Van Den Brink	D15/5
D508,396 S *	8/2005	Gimpel	D8/382
D671,820 S *	12/2012	Henderson	D8/373
D742,731 S *	11/2015	Zedan	D8/394
D783,392 S *	4/2017	Dew	D8/396
D784,438 S *	4/2017	Rondinelli	D16/242
D801,413 S *	10/2017	Martin	D16/242

D825,642 S *	8/2018	Maiwald	D16/242
D825,643 S *	8/2018	Wengreen	D16/242
D841,076 S *	2/2019	Wengreen	D16/242
D846,624 S *	4/2019	Balmer	D16/245
D867,435 S *	11/2019	Wengreen	D16/242

(Continued)

OTHER PUBLICATIONS

Allbro Camera Nest. [online] Retrieved Jul. 23, 2020 from URL:
<https://www.allbro.com/download/camera-nest.pdf>*

Primary Examiner — Vy N Koenig

(74) Attorney, Agent, or Firm — Michael Best &
Friedrich LLP

(57) **CLAIM**

We claim the ornamental design for a camera mount, as shown and described.

DESCRIPTION

FIG. 1 is a front perspective view of a camera mount showing our new design.

FIG. 2 is a rear perspective view of the camera mount shown in FIG. 1.

FIG. 3 is a front view of the camera mount shown in FIG. 1.

FIG. 4 is a rear view of the camera mount shown in FIG. 1.

FIG. 5 is a left side view of the camera mount shown in FIG. 1.

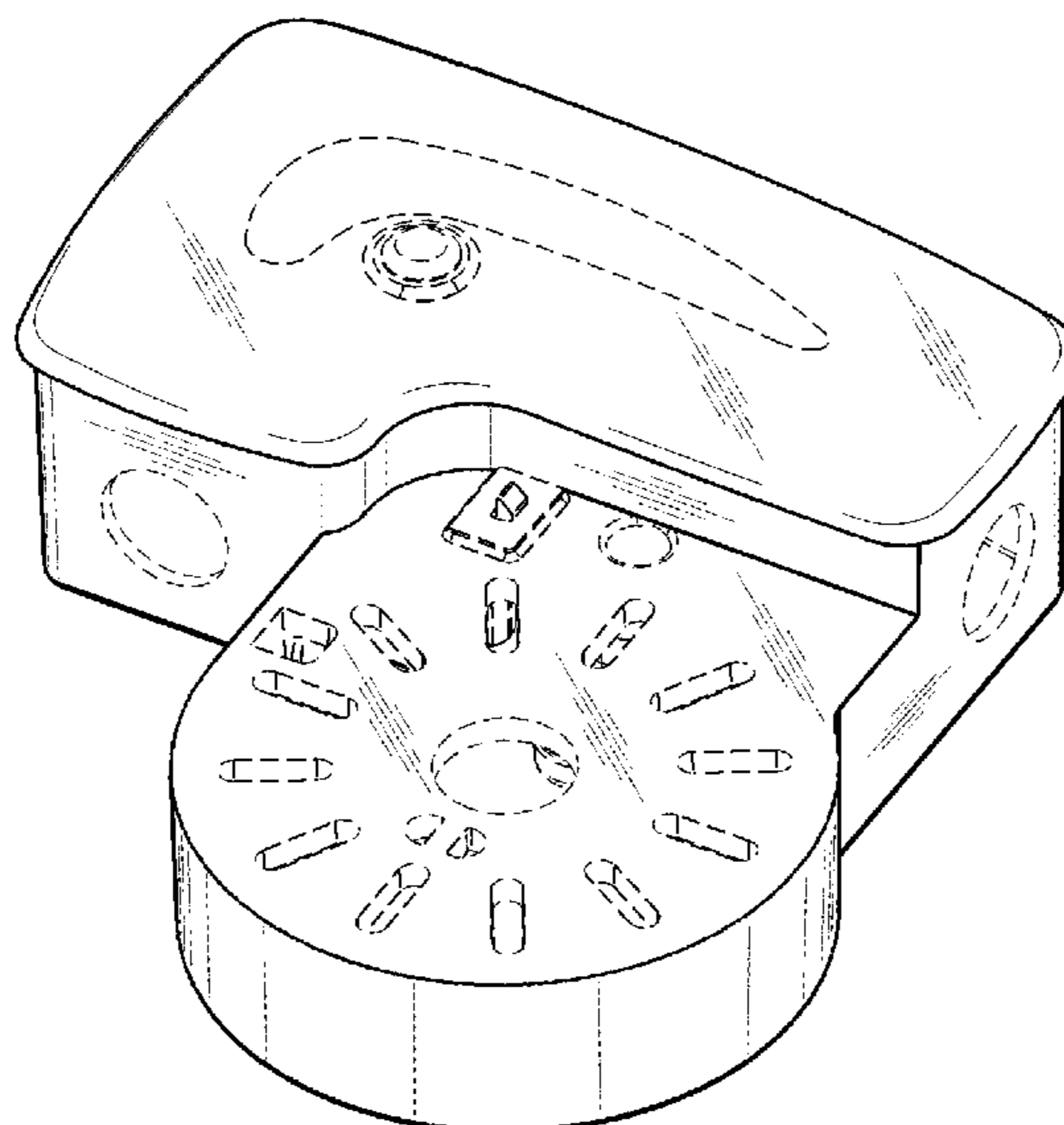
FIG. 6 is a right side view of the camera mount shown in FIG. 1.

FIG. 7 is a top view of the camera mount shown in FIG. 1; and,

FIG. 8 is a bottom view of the camera mount shown in FIG. 1.

The broken lines in the drawings depict features and portions of the camera mount that form no part of the claimed design.

1 Claim, 5 Drawing Sheets



(56)

References Cited

U.S. PATENT DOCUMENTS

D886,881 S * 6/2020 Wang D16/202
D889,475 S * 7/2020 Yamamoto D14/447

* cited by examiner

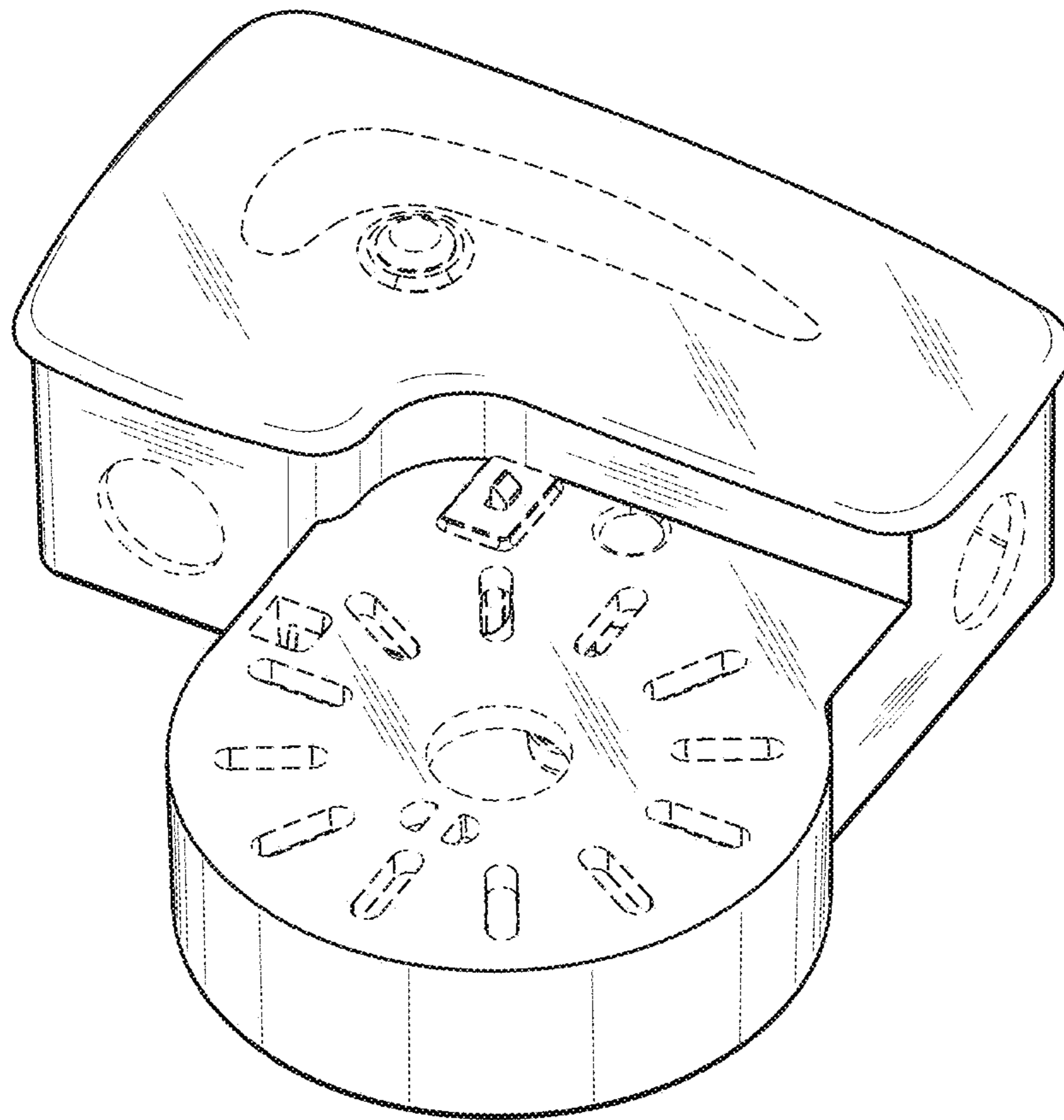


FIG. 1

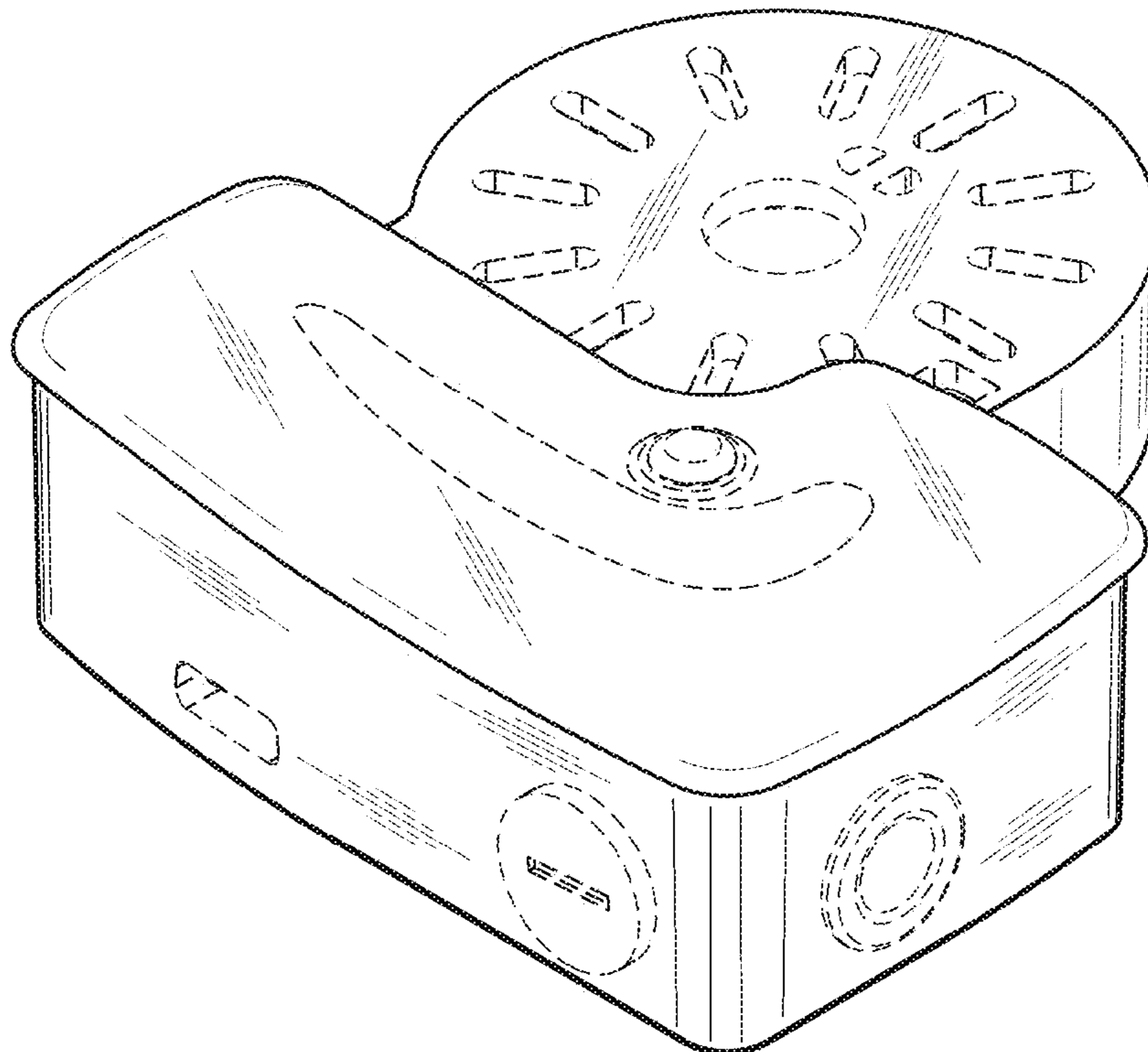


FIG. 2

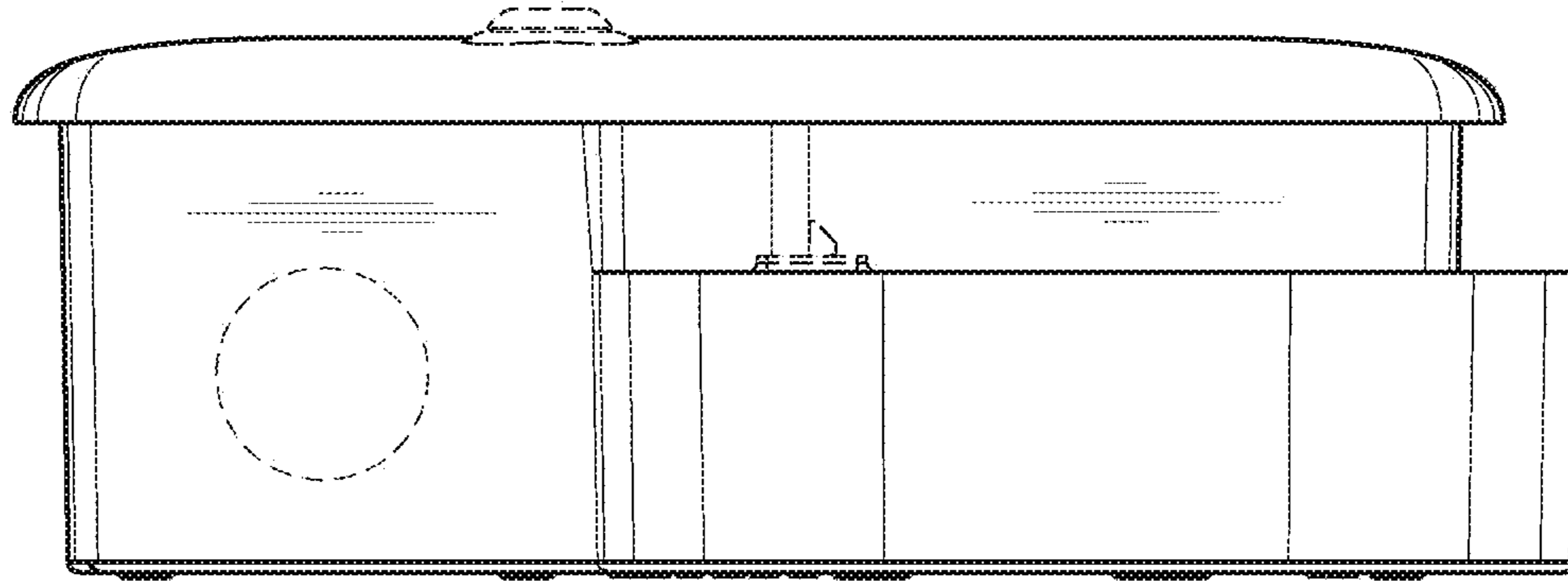


FIG. 3

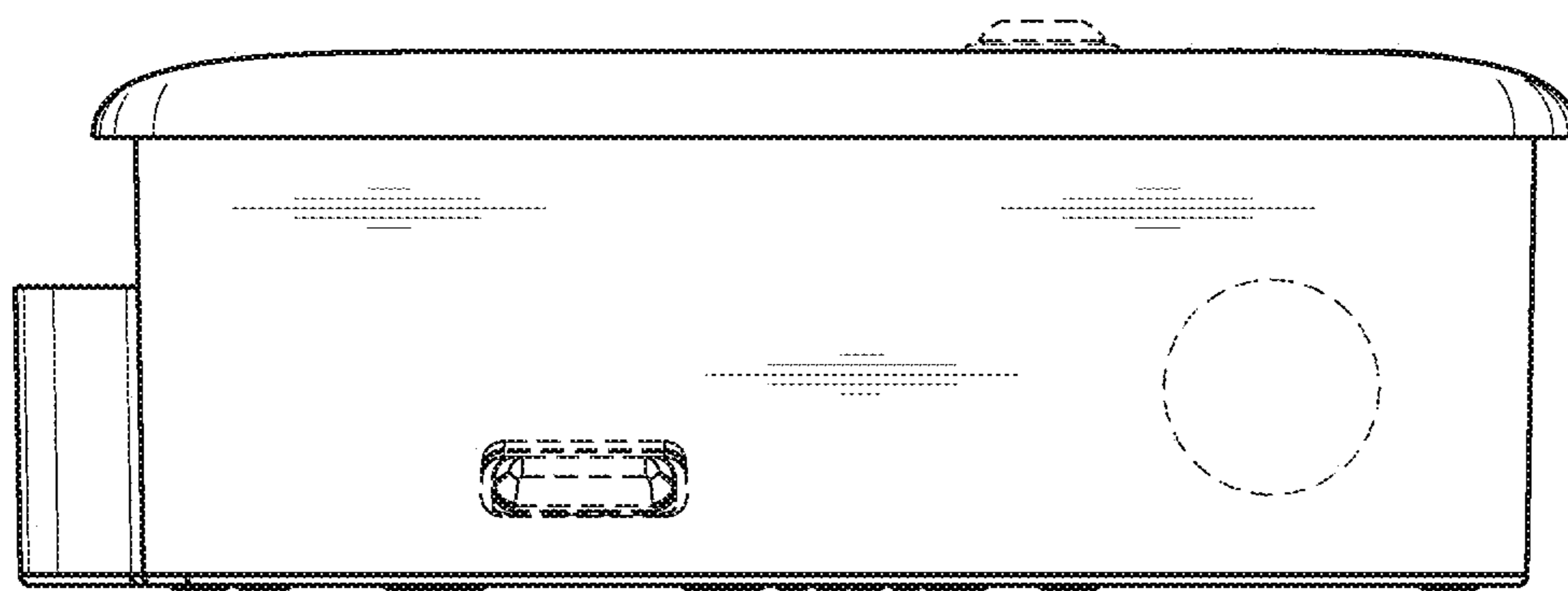


FIG. 4

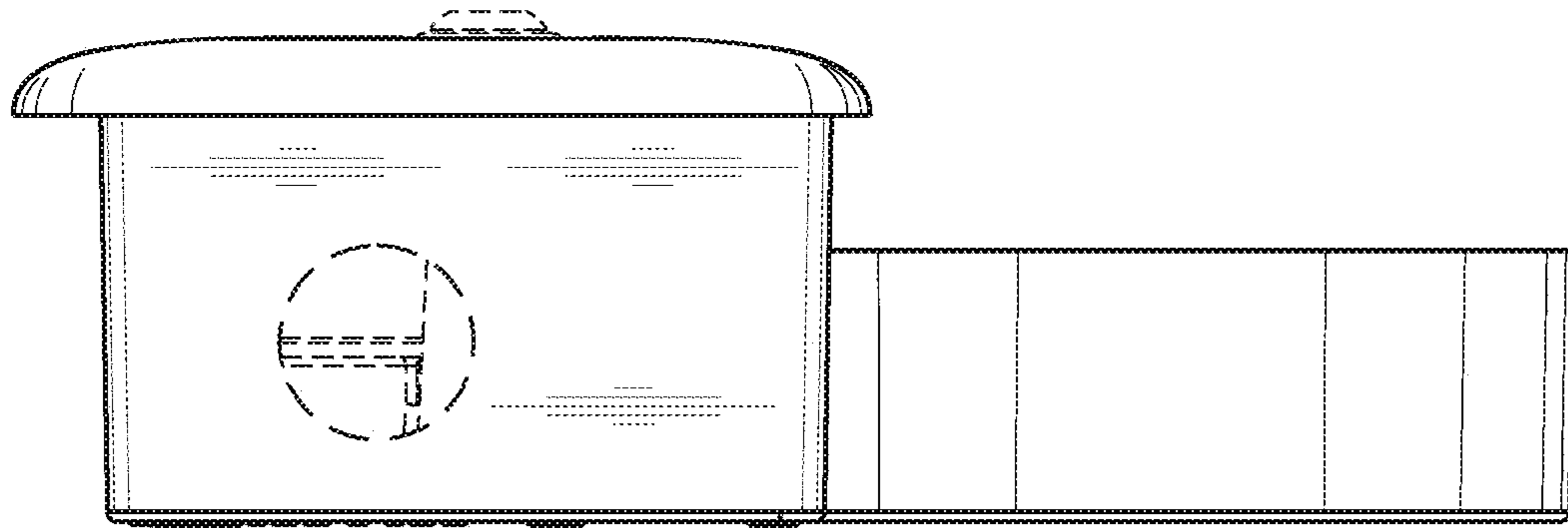


FIG. 5

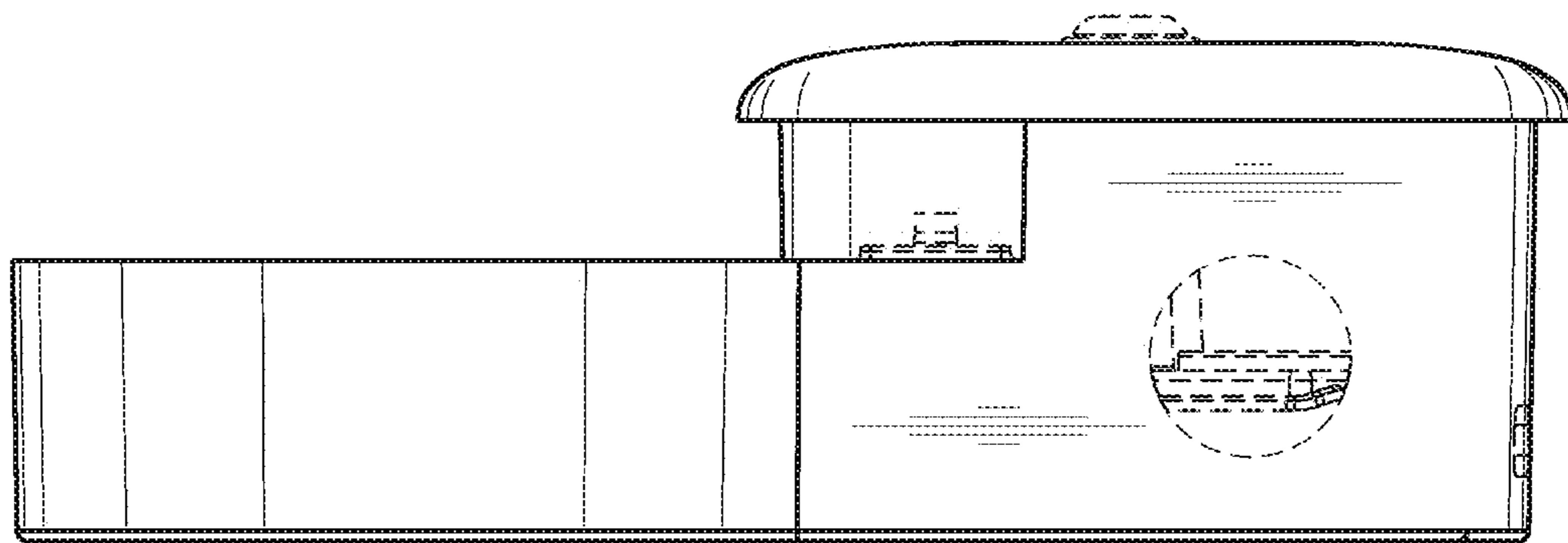


FIG. 6

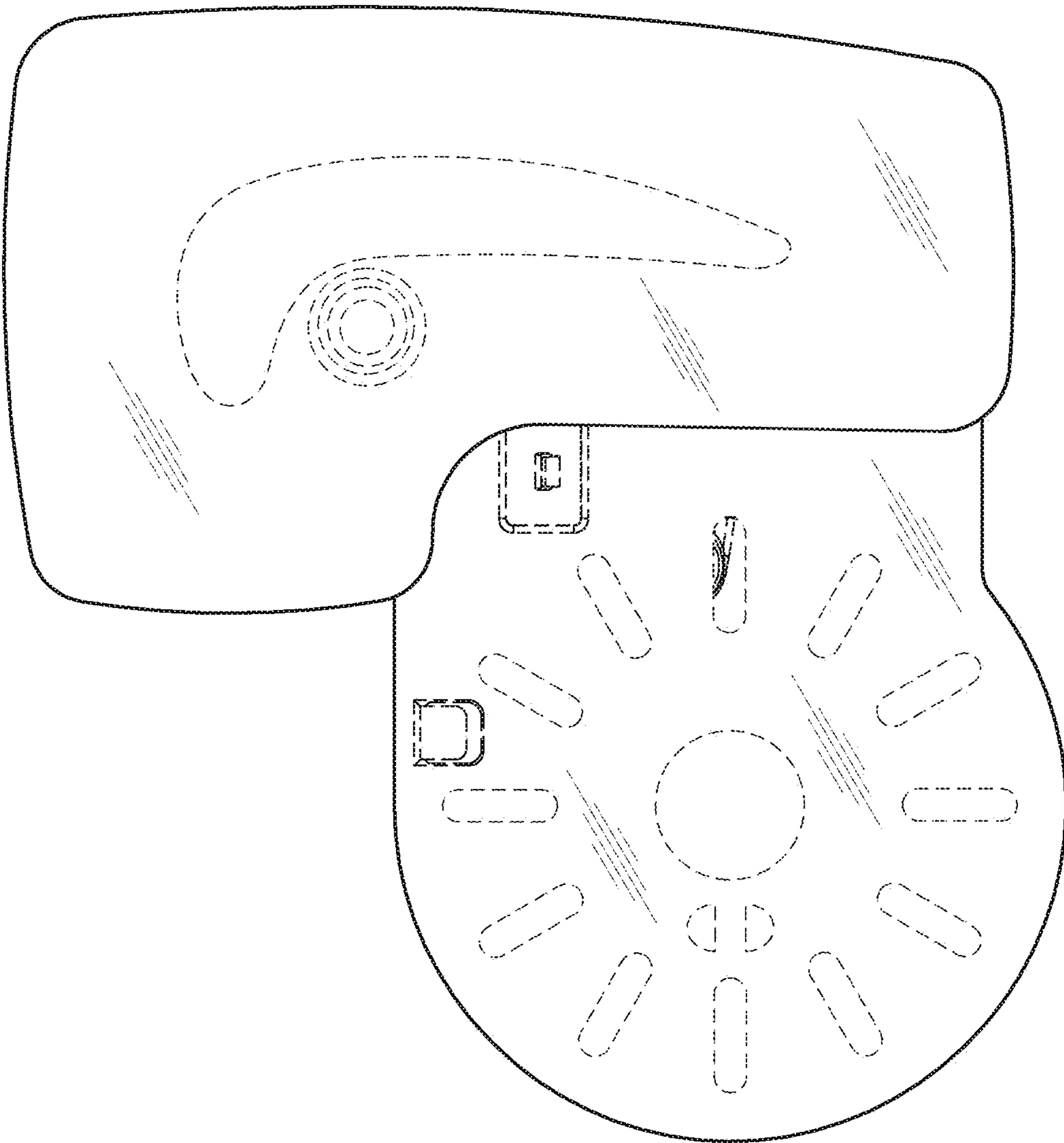


FIG. 7

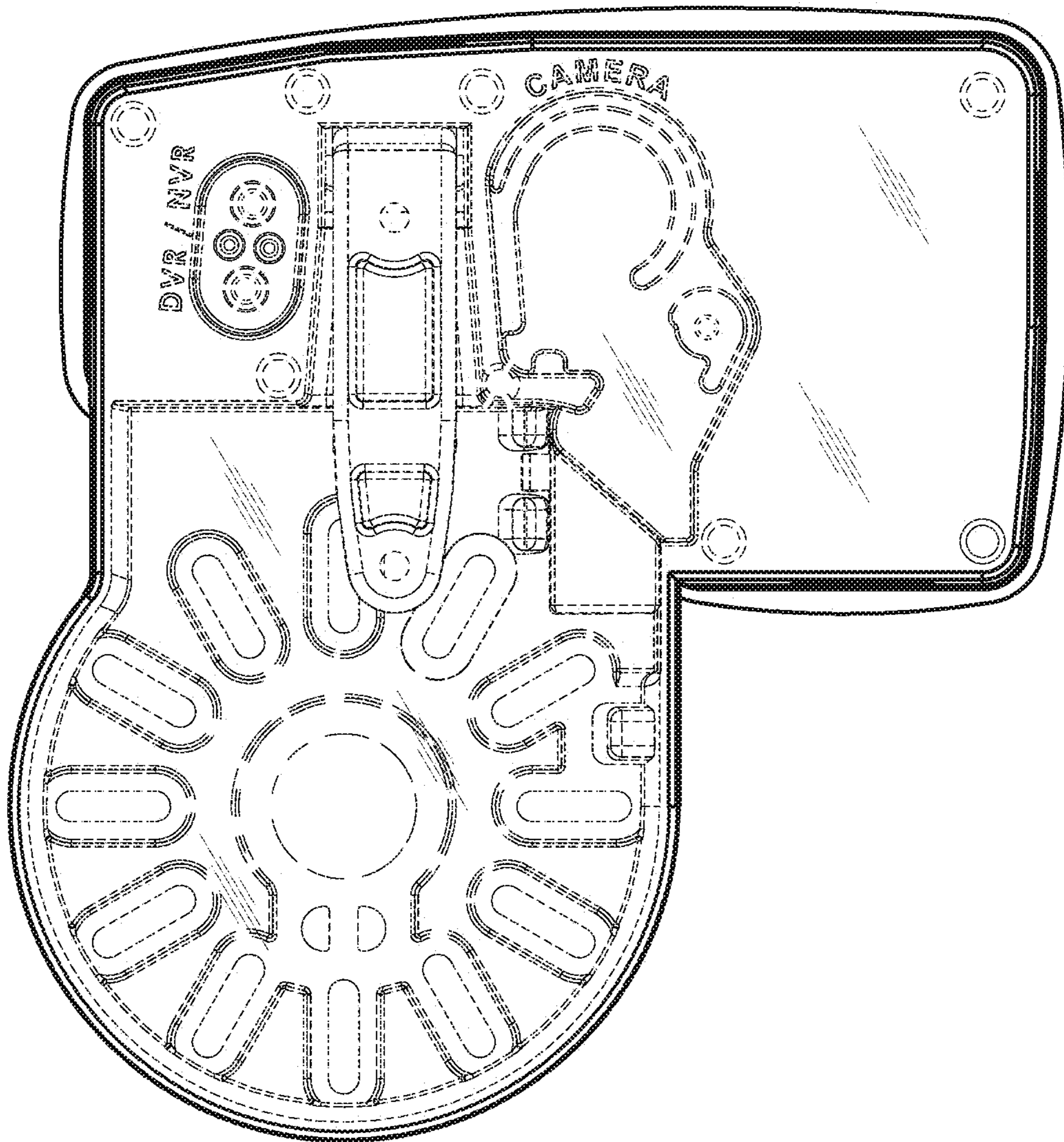


FIG. 8