



US00D914791S

(12) **United States Design Patent**
Sickler

(10) **Patent No.:** **US D914,791 S**

(45) **Date of Patent:** **** Mar. 30, 2021**

(54) **WIRELESS VEHICLE-MOUNTED CAMERA**

(71) Applicant: **HOPKINS MANUFACTURING CORPORATION**, Emporia, KS (US)

(72) Inventor: **Vicki Sickler**, Emporia, KS (US)

(73) Assignee: **Hopkins Manufacturing Corporation**, Emporia, KS (US)

(**) Term: **15 Years**

(21) Appl. No.: **29/711,634**

(22) Filed: **Nov. 1, 2019**

(51) **LOC (13) Cl.** **16-01**

(52) **U.S. Cl.**
USPC **D16/208**; D16/218

(58) **Field of Classification Search**
USPC D16/200–208, 210, 214, 218, 219, 242;
348/373–376; 396/419, 427, 428, 535,
396/539–541
CPC G03B 15/03; G03B 17/02; G03B 17/04;
G03B 17/56; G03B 19/04; H04N 5/2251;
H04N 5/2252; H04N 5/2253; H04N
5/2254; H04N 2101/00
See application file for complete search history.

(56) **References Cited**

U.S. PATENT DOCUMENTS

D453,177 S *	1/2002	Uehara	D16/202
D460,978 S *	7/2002	Toste	D16/203
D657,808 S *	4/2012	Woodman	D16/200
D674,428 S *	1/2013	Woodman	D16/218
D674,429 S *	1/2013	Woodman	D16/218
8,544,643 B2 *	10/2013	Yim	G03B 17/08 206/316.2
D694,797 S *	12/2013	Parker	D16/203
D696,707 S *	12/2013	Guastadini	D16/202

D702,747 S *	4/2014	Woodman	D16/200
D713,439 S *	9/2014	Zhang	D16/210
D721,753 S *	1/2015	Park	D16/202
D849,098 S *	5/2019	Kapuria	D16/208
D898,798 S *	10/2020	Xiong	D16/202

* cited by examiner

Primary Examiner — Ramzi S Almatrahi

(74) *Attorney, Agent, or Firm* — Hovey Williams LLP

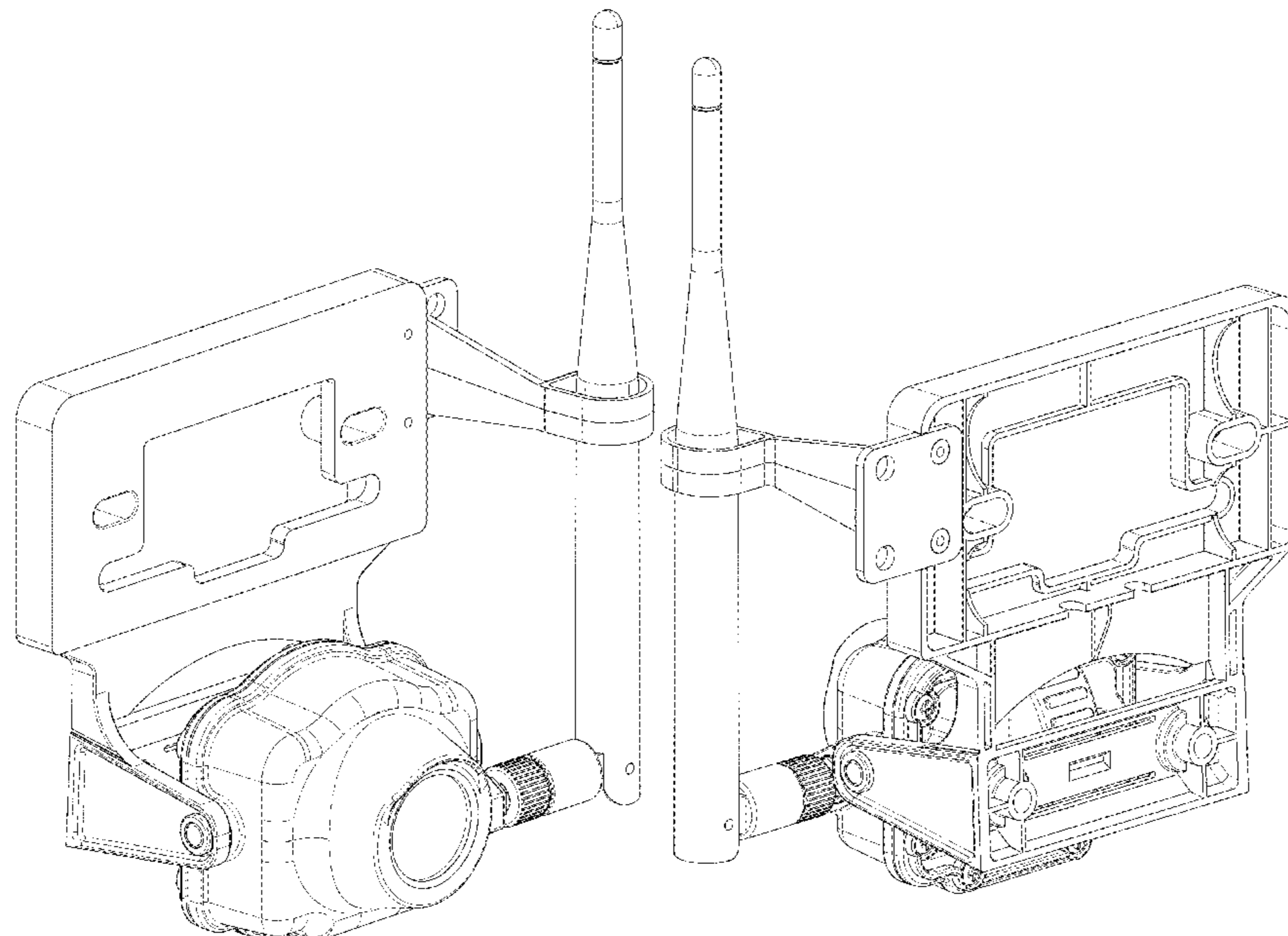
(57) **CLAIM**

The ornamental design for a wireless vehicle-mounted camera, as shown and described.

DESCRIPTION

FIG. 1 is a top left front perspective view of a wireless vehicle-mounted camera;
 FIG. 2 is a bottom left front perspective view of the wireless vehicle-mounted camera;
 FIG. 3 is a top right front perspective view of the wireless vehicle-mounted camera;
 FIG. 4 is a top right rear perspective view of the wireless vehicle-mounted camera;
 FIG. 5 is a bottom right rear perspective view of the wireless vehicle-mounted camera;
 FIG. 6 is a front elevational view of the wireless vehicle-mounted camera;
 FIG. 7 is a left side elevational view of the wireless vehicle-mounted camera;
 FIG. 8 is a right side elevational view of the wireless vehicle-mounted camera;
 FIG. 9 is a top plan view of the wireless vehicle-mounted camera;
 FIG. 10 is a bottom plan view of the wireless vehicle-mounted camera; and,
 FIG. 11 is a rear elevational view of the wireless vehicle-mounted camera.

1 Claim, 10 Drawing Sheets



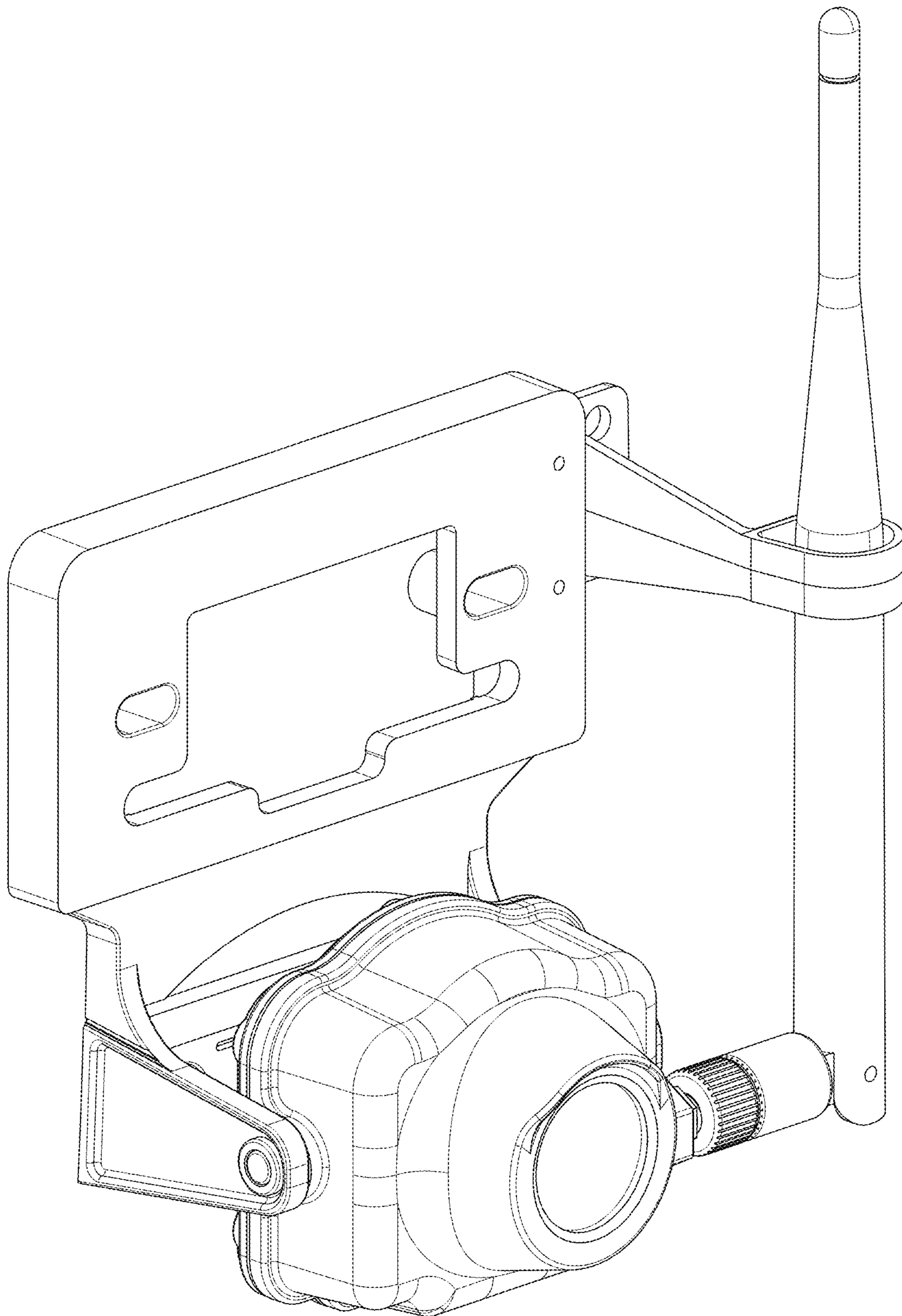


Fig. 1

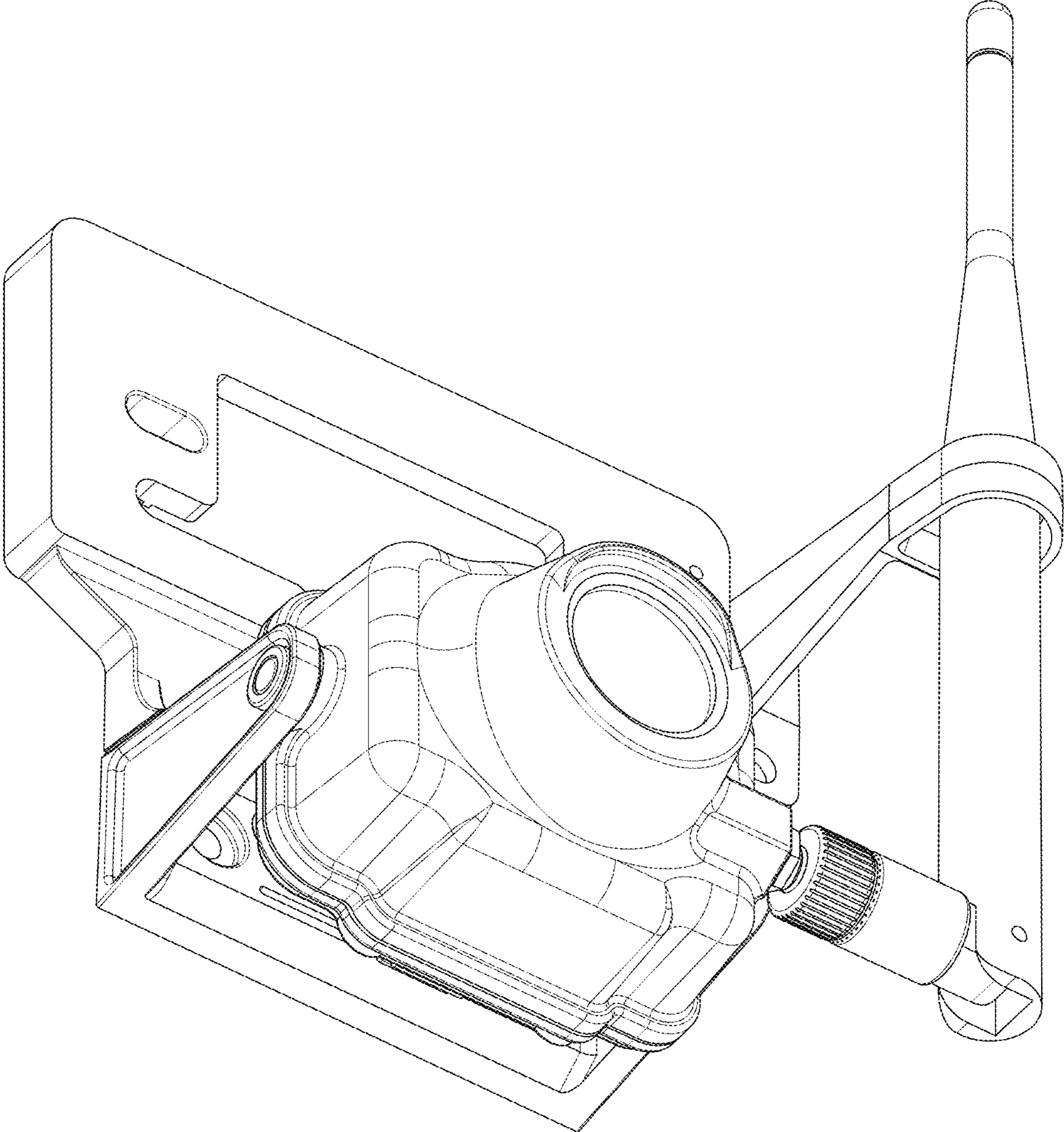


Fig. 2

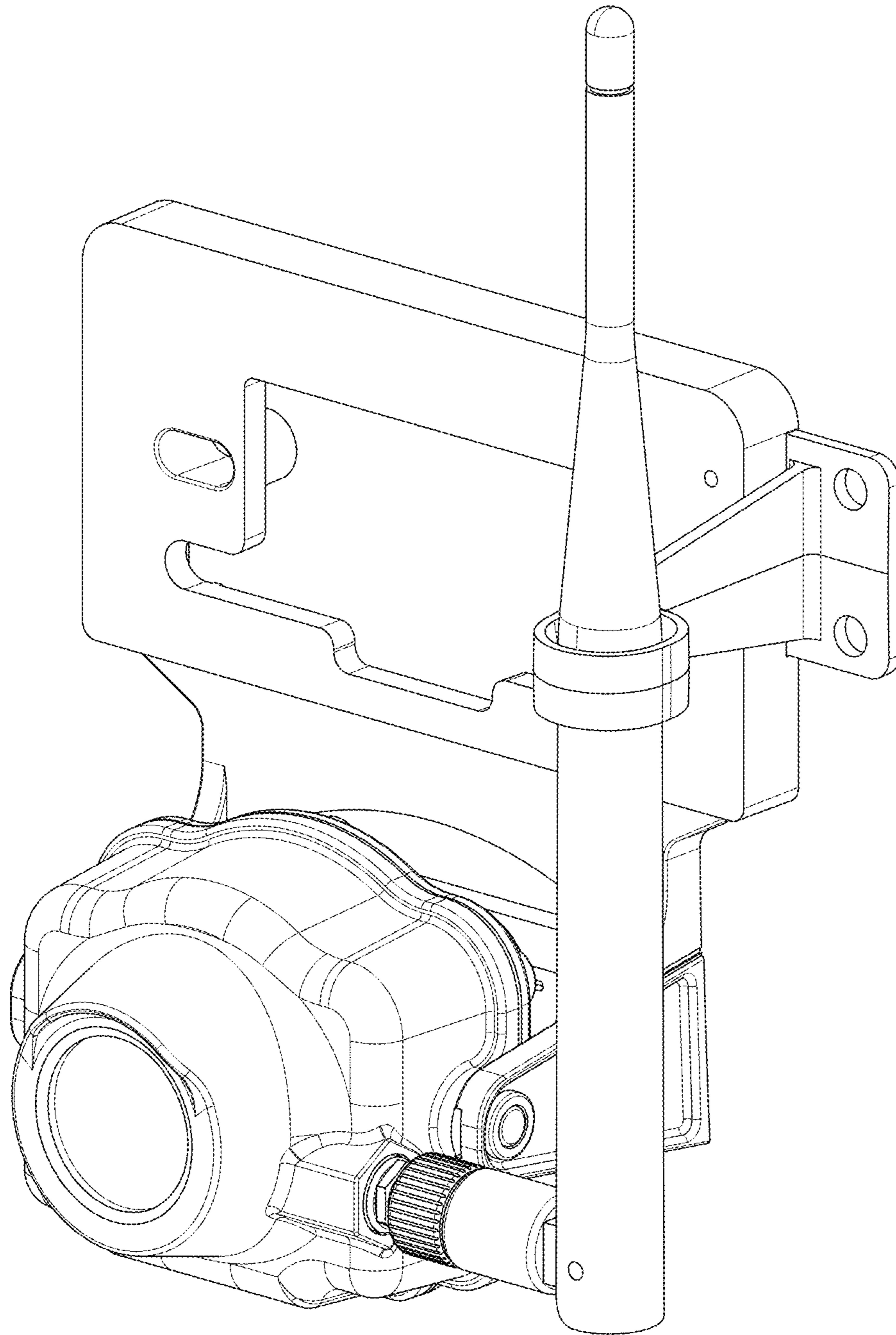


Fig. 3

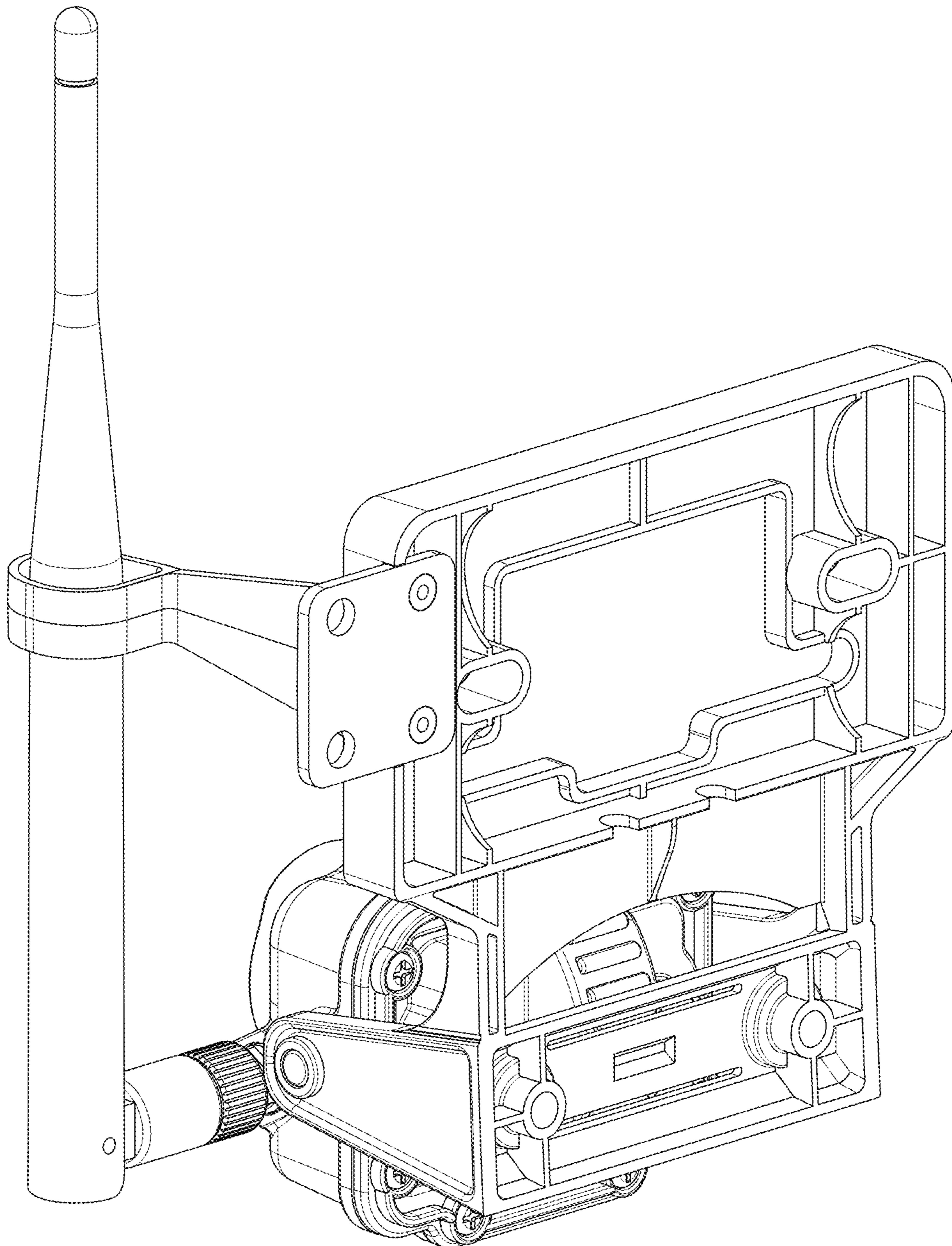


Fig. 4

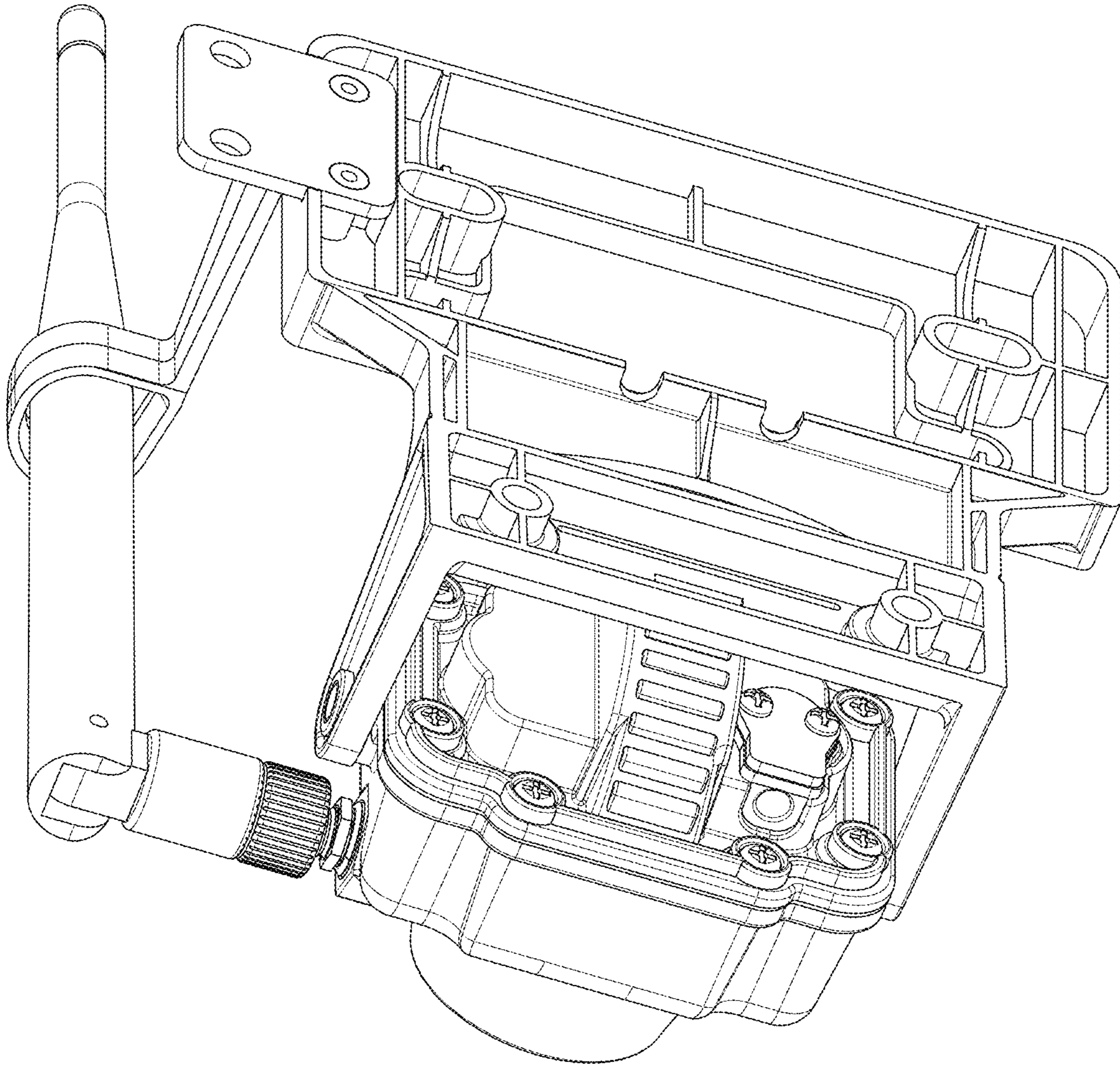


Fig. 5

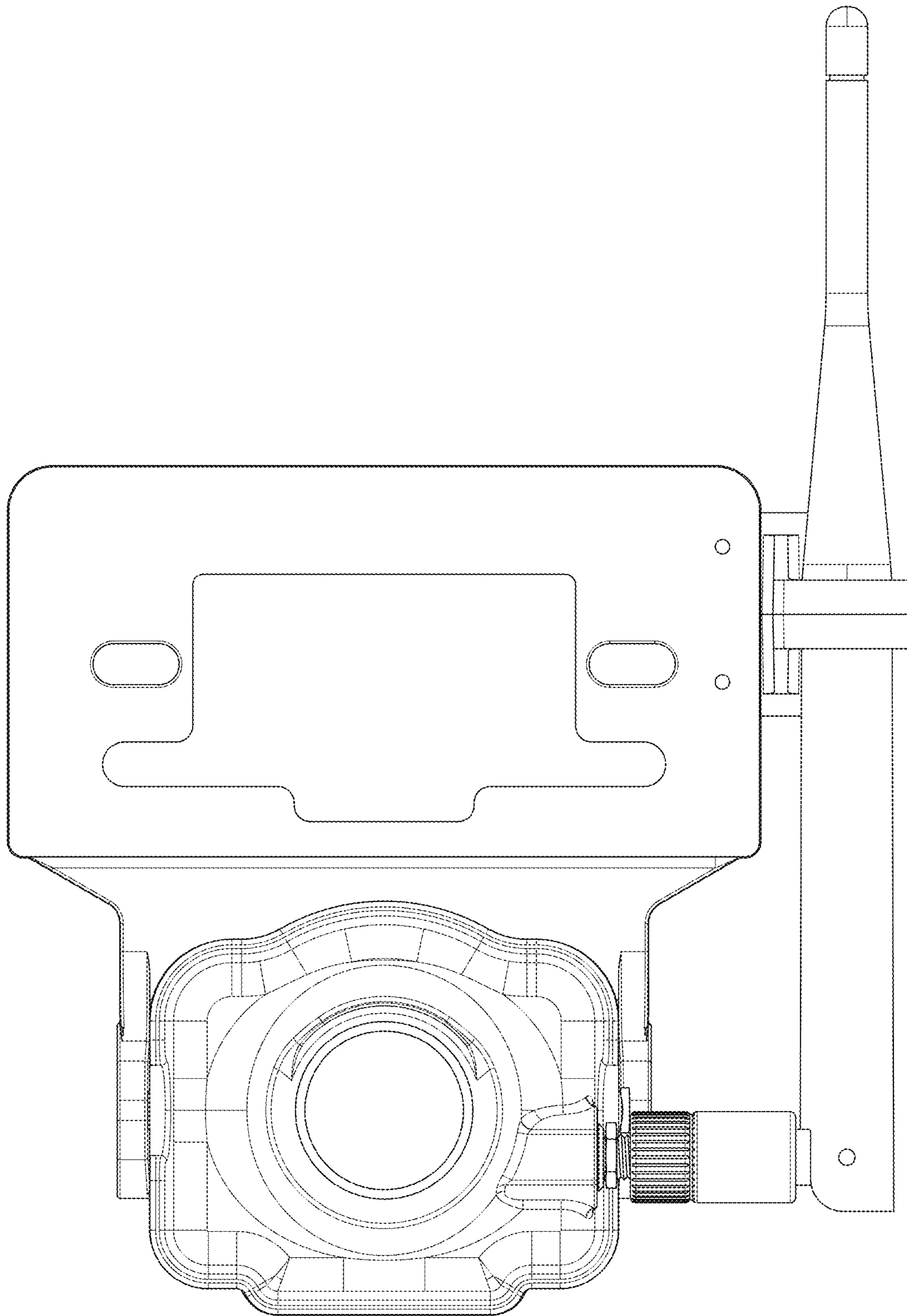


Fig. 6

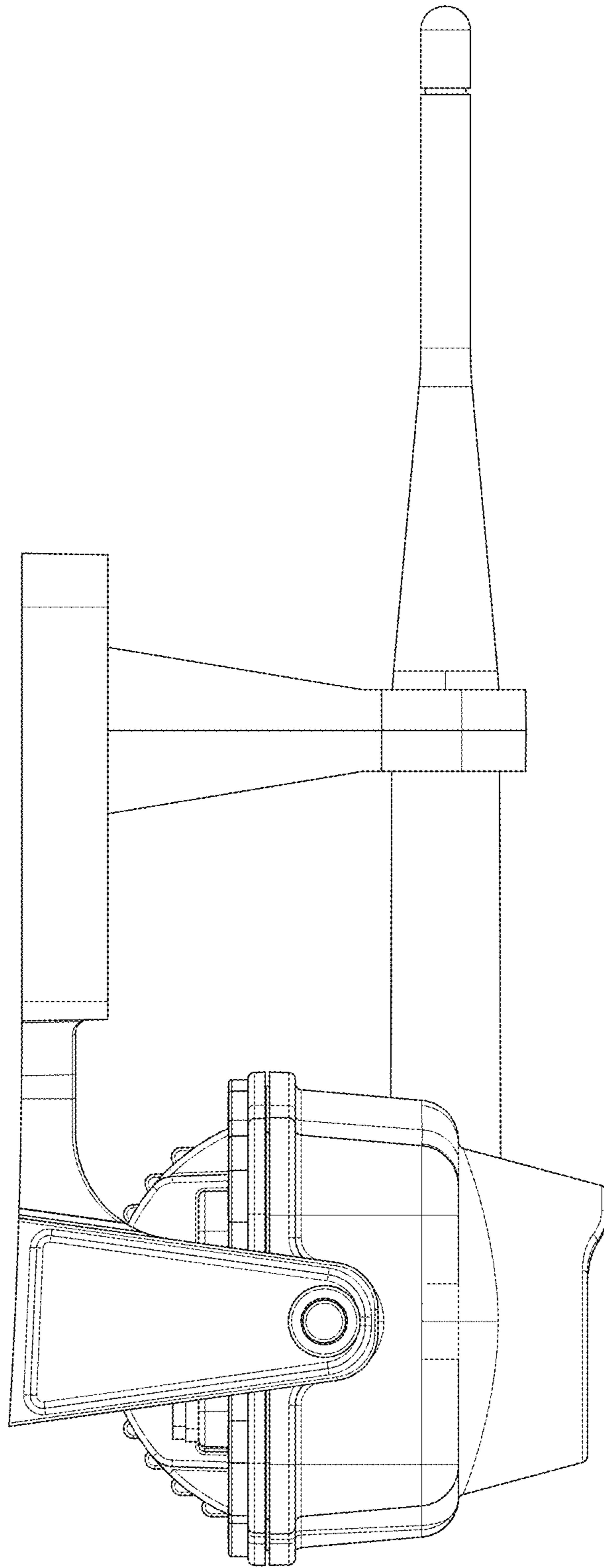


Fig. 7

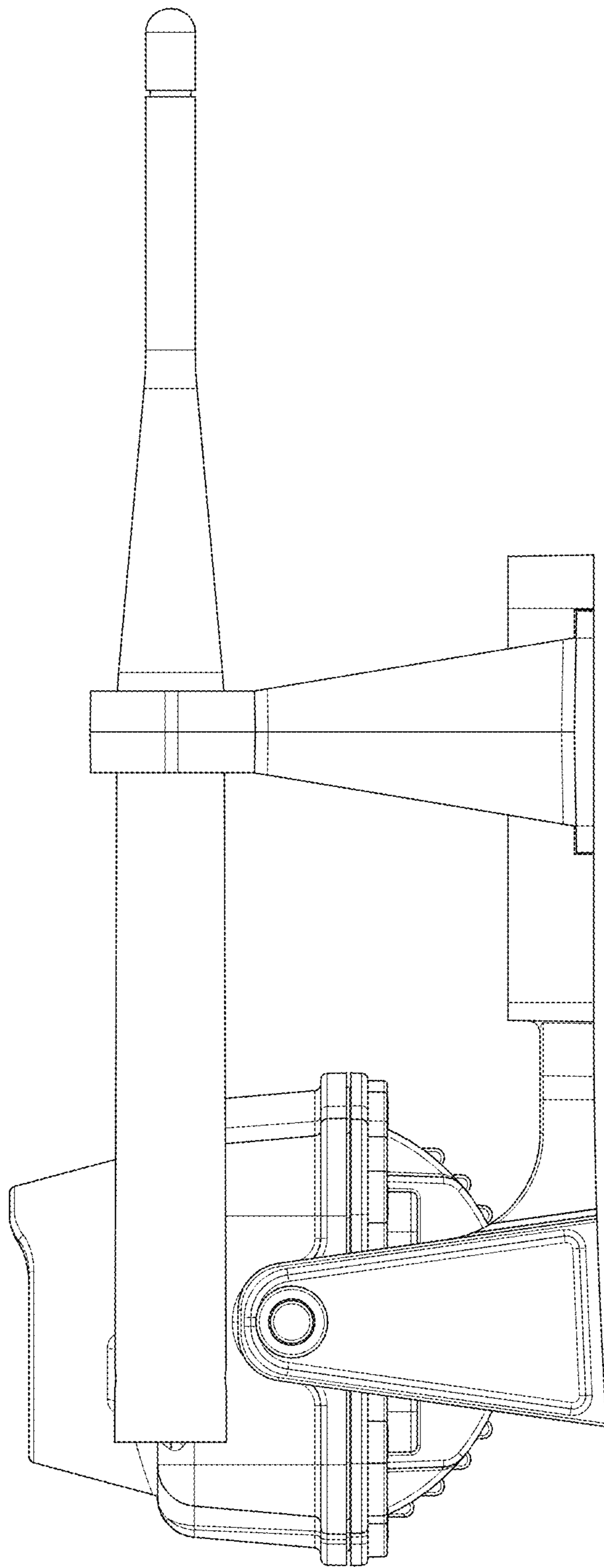


Fig. 8

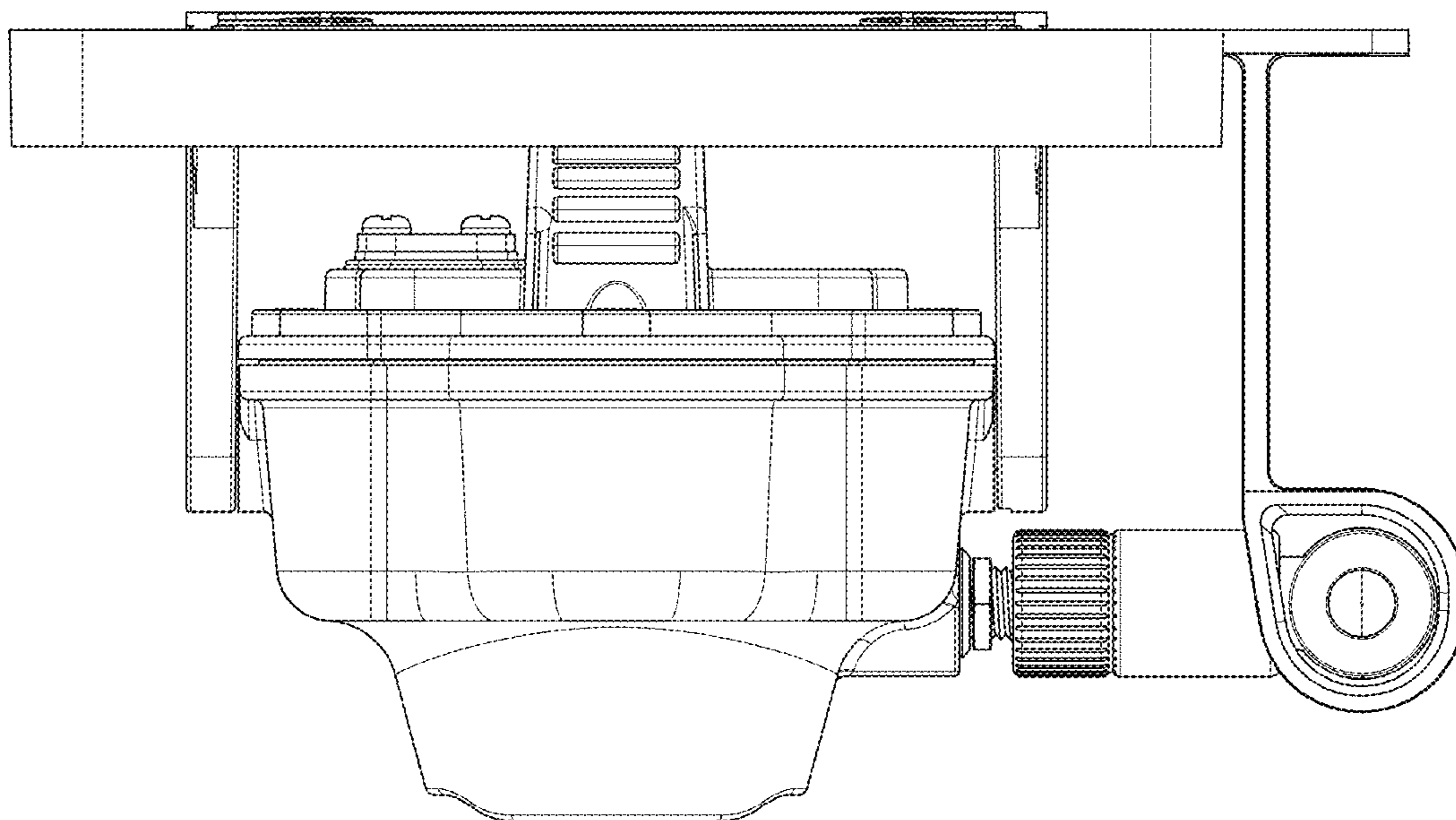


Fig. 9

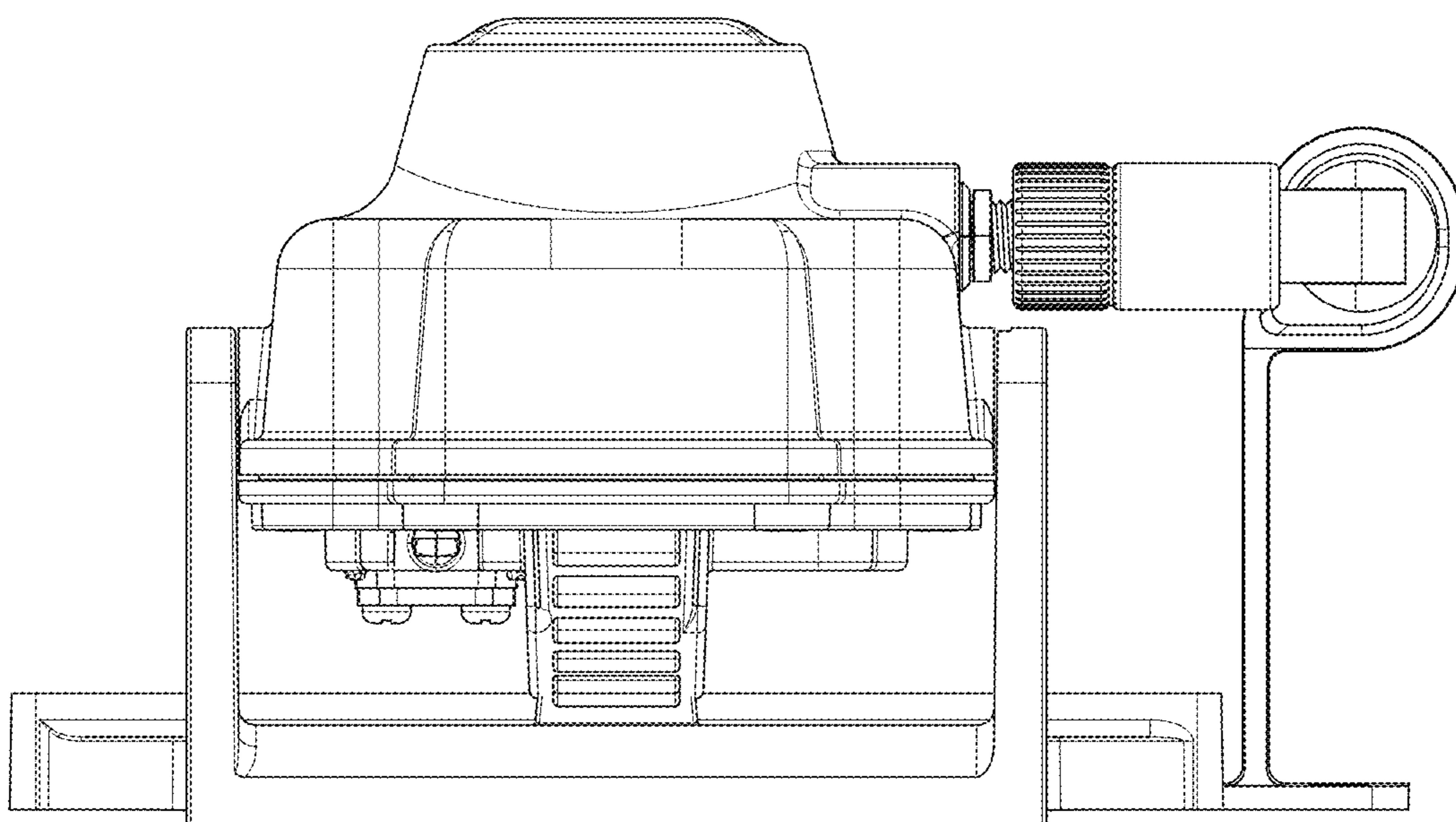


Fig. 10

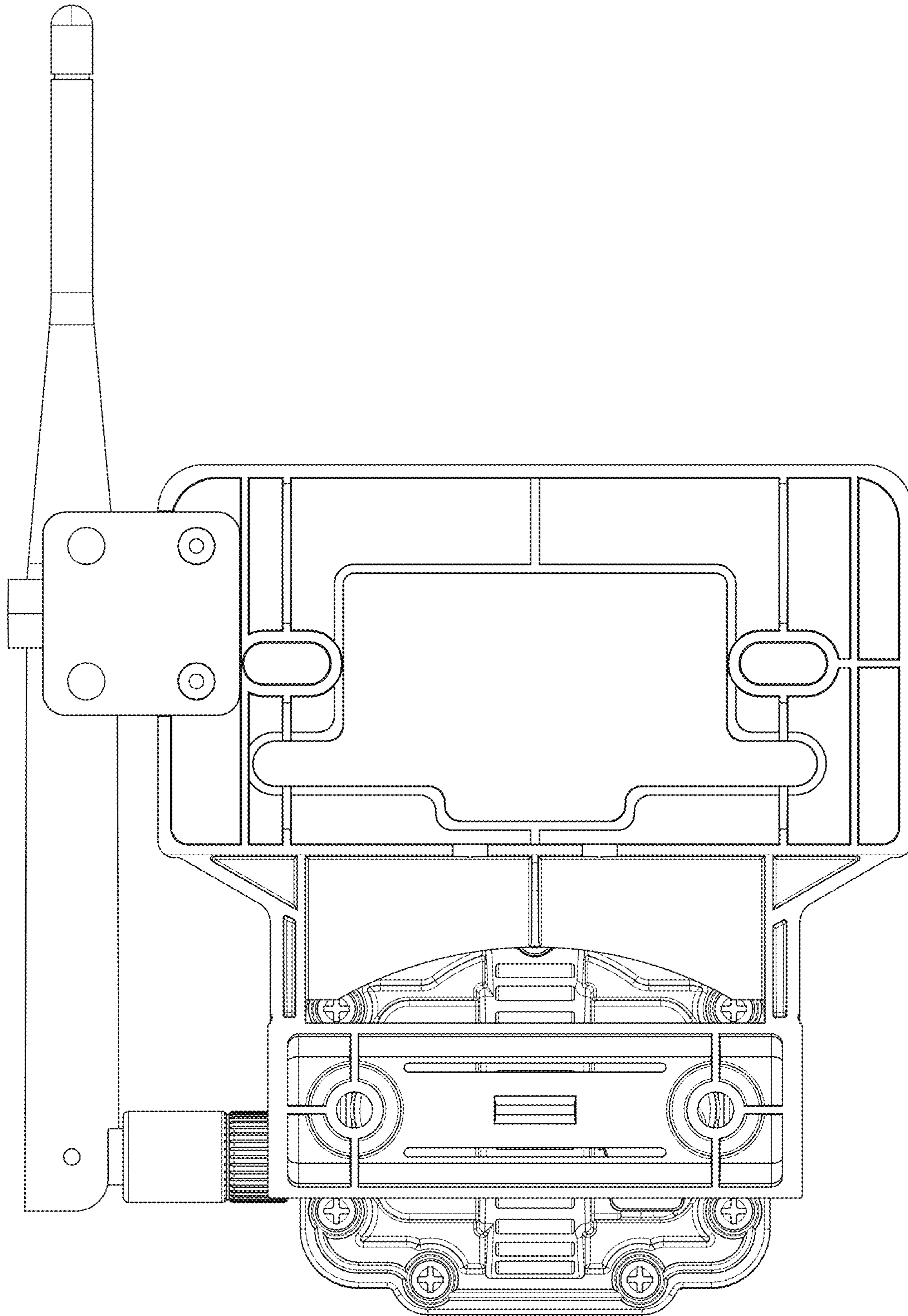


Fig. 11