



US00D914785S

(12) **United States Design Patent**
Wei

(10) **Patent No.:** **US D914,785 S**
(45) **Date of Patent:** **** Mar. 30, 2021**

(54) **BABY MONITOR**

(71) Applicant: **Honghua Wei**, Guangdong (CN)

(72) Inventor: **Honghua Wei**, Guangdong (CN)

(**) Term: **15 Years**

(21) Appl. No.: **29/720,599**

(22) Filed: **Jan. 14, 2020**

(51) **LOC (13) Cl.** **16-01**

(52) **U.S. Cl.**
USPC **D16/203**

(58) **Field of Classification Search**

USPC D16/200–204, 208, 218, 219; 348/143,
348/148, 151, 360, 373–376; 396/419,
396/427–429, 433, 529, 535, 537–541
CPC G03B 15/03; G03B 17/02; G03B 17/04;
G03B 17/48; G03B 17/56; G03B 19/04;
G08G 1/0175; H04N 5/2251; H04N
5/2252; H04N 5/2253; H04N 5/2254

See application file for complete search history.

(56) **References Cited**

U.S. PATENT DOCUMENTS

D575,316 S *	8/2008	Liu	D16/202
D624,108 S *	9/2010	Wang	D16/219
D649,573 S *	11/2011	Al	D16/203
D651,633 S *	1/2012	Park	D16/203
D804,561 S *	12/2017	Luo	D16/202
D806,154 S *	12/2017	Shi	D16/202

D840,965 S *	2/2019	Ke	D14/159
D849,077 S *	5/2019	Tian	D16/202
D849,094 S *	5/2019	Gan	D16/203
D861,762 S *	10/2019	Gan	D16/203
D898,098 S *	10/2020	White	D16/203
D900,907 S *	11/2020	Zhou	D16/203
D907,095 S *	1/2021	Hayes	D16/203

* cited by examiner

Primary Examiner — Ramzi S Almatrahi

(74) *Attorney, Agent, or Firm* — Wayne & Ken, LLC

(57) **CLAIM**

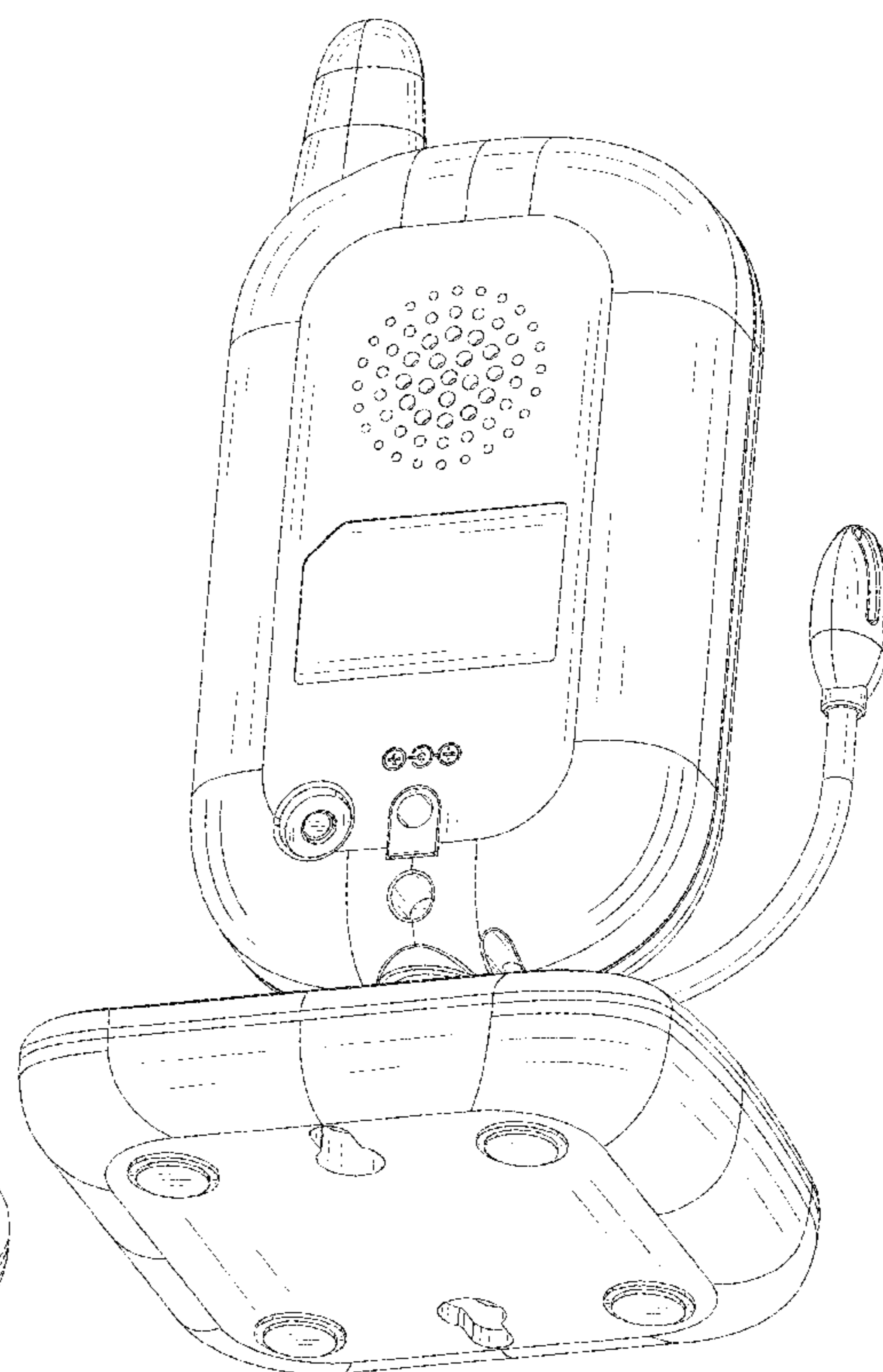
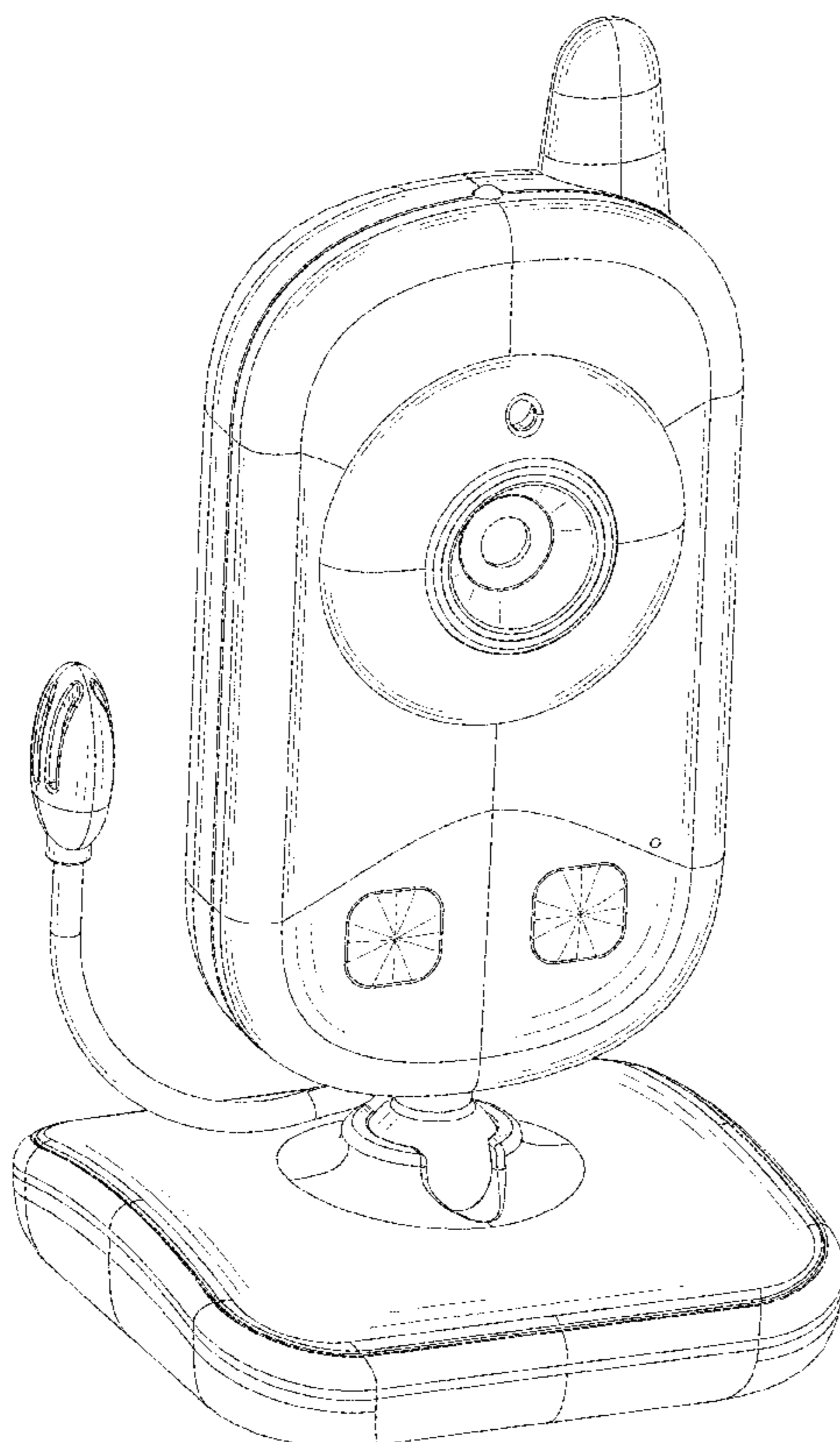
The ornamental design for a baby monitor, as shown and described.

DESCRIPTION

FIG. 1 is a front perspective view of a baby monitor showing my new design;
FIG. 2 is a rear perspective view thereof;
FIG. 3 is a front elevation view thereof;
FIG. 4 is a back elevation view thereof;
FIG. 5 is a left side elevation view thereof;
FIG. 6 is a right side elevation view thereof;
FIG. 7 is a top plan view thereof; and,
FIG. 8 is a bottom plan view thereof.

The broken lines depict portions of the baby monitor in which the design is embodied that form no part of the claimed design.

1 Claim, 8 Drawing Sheets



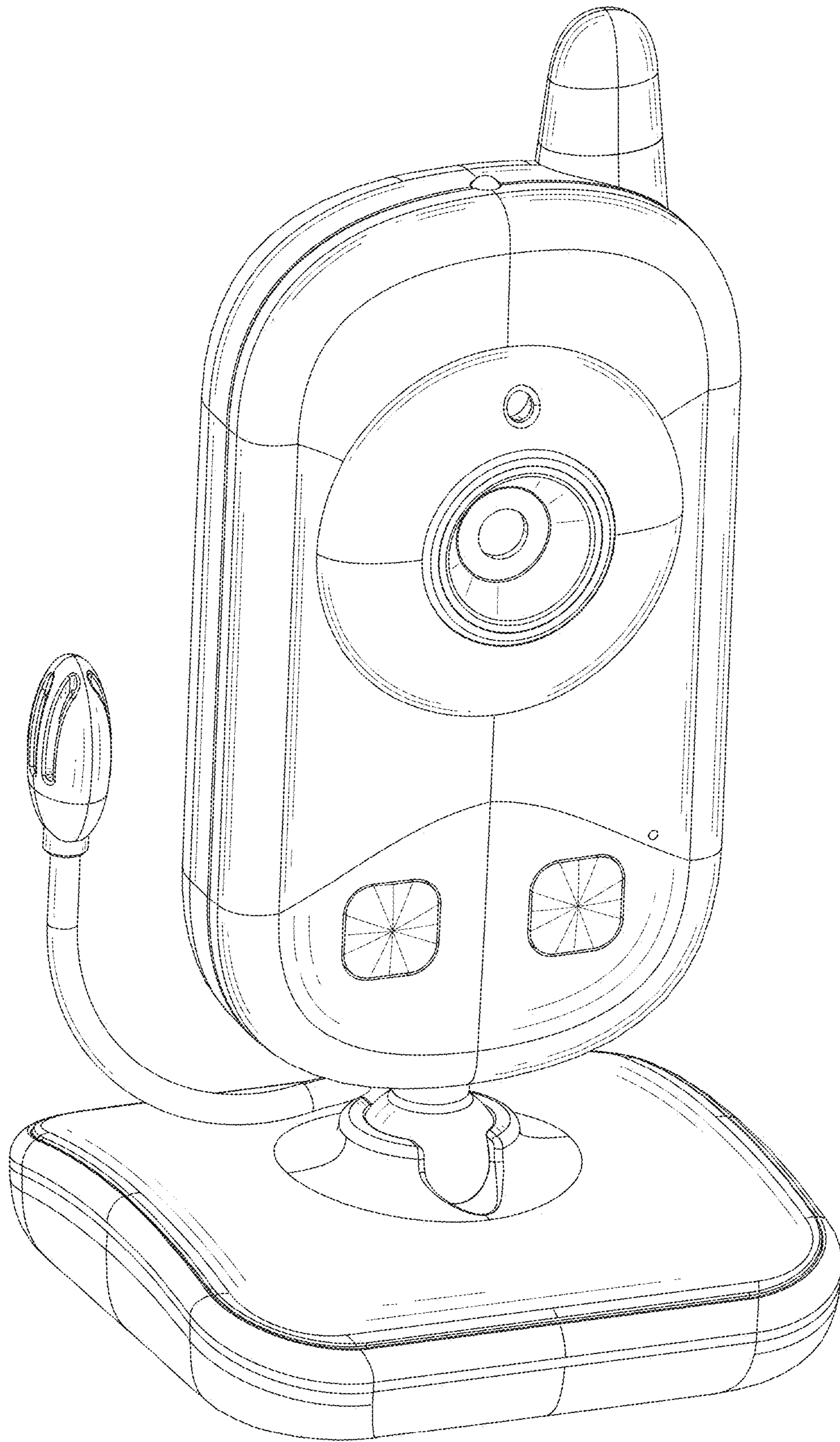


FIG. 1

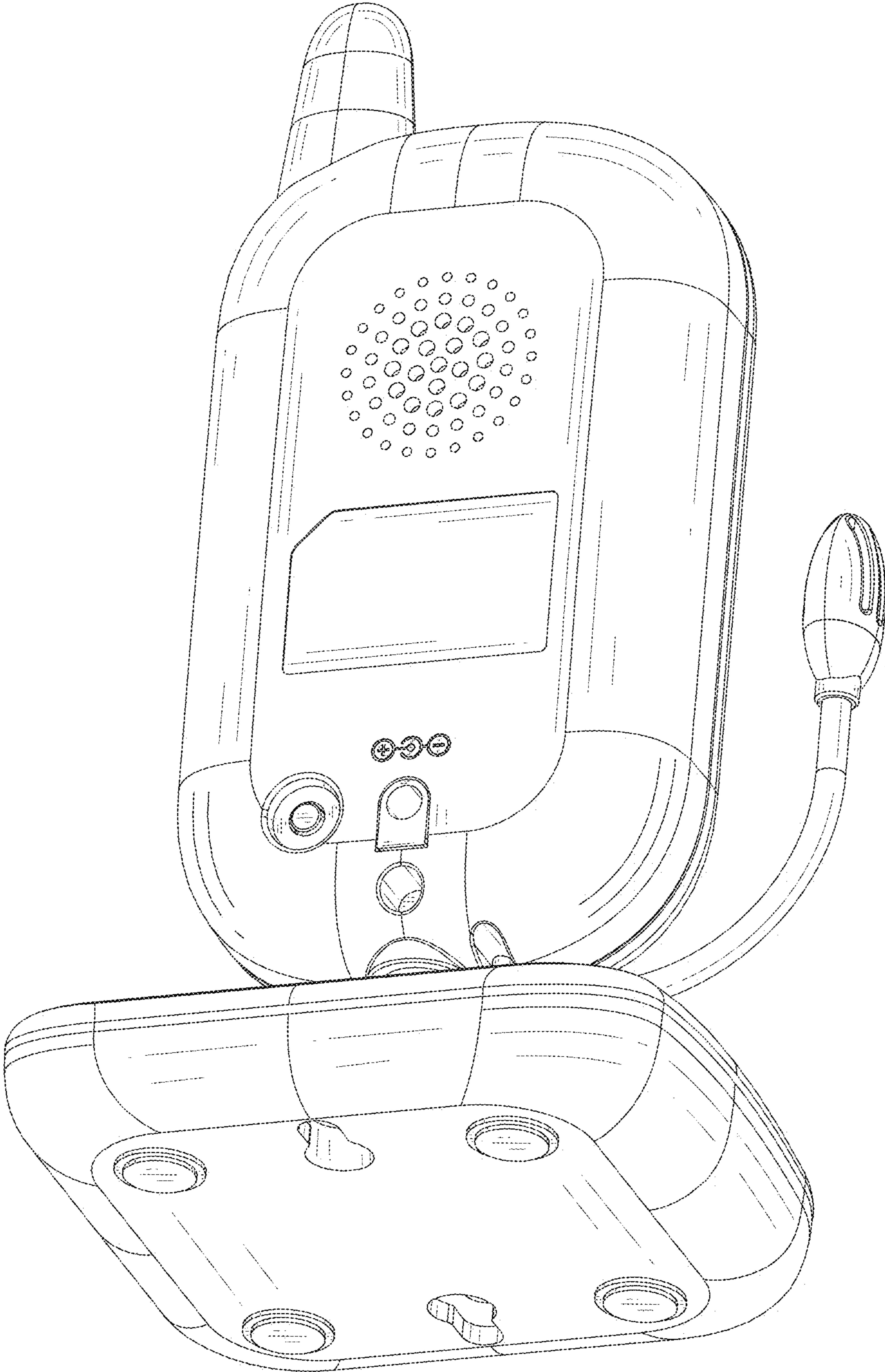


FIG. 2

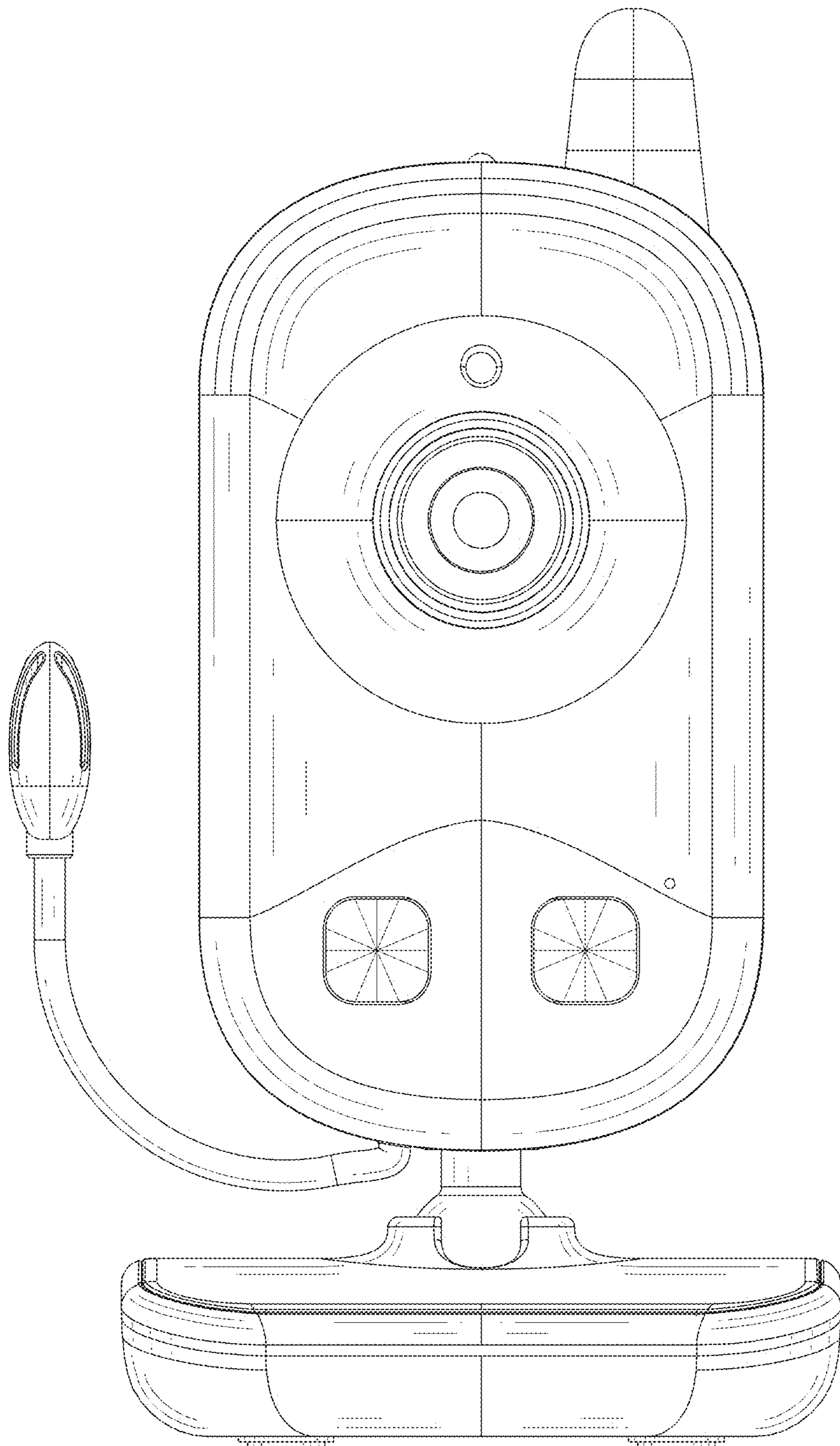


FIG. 3

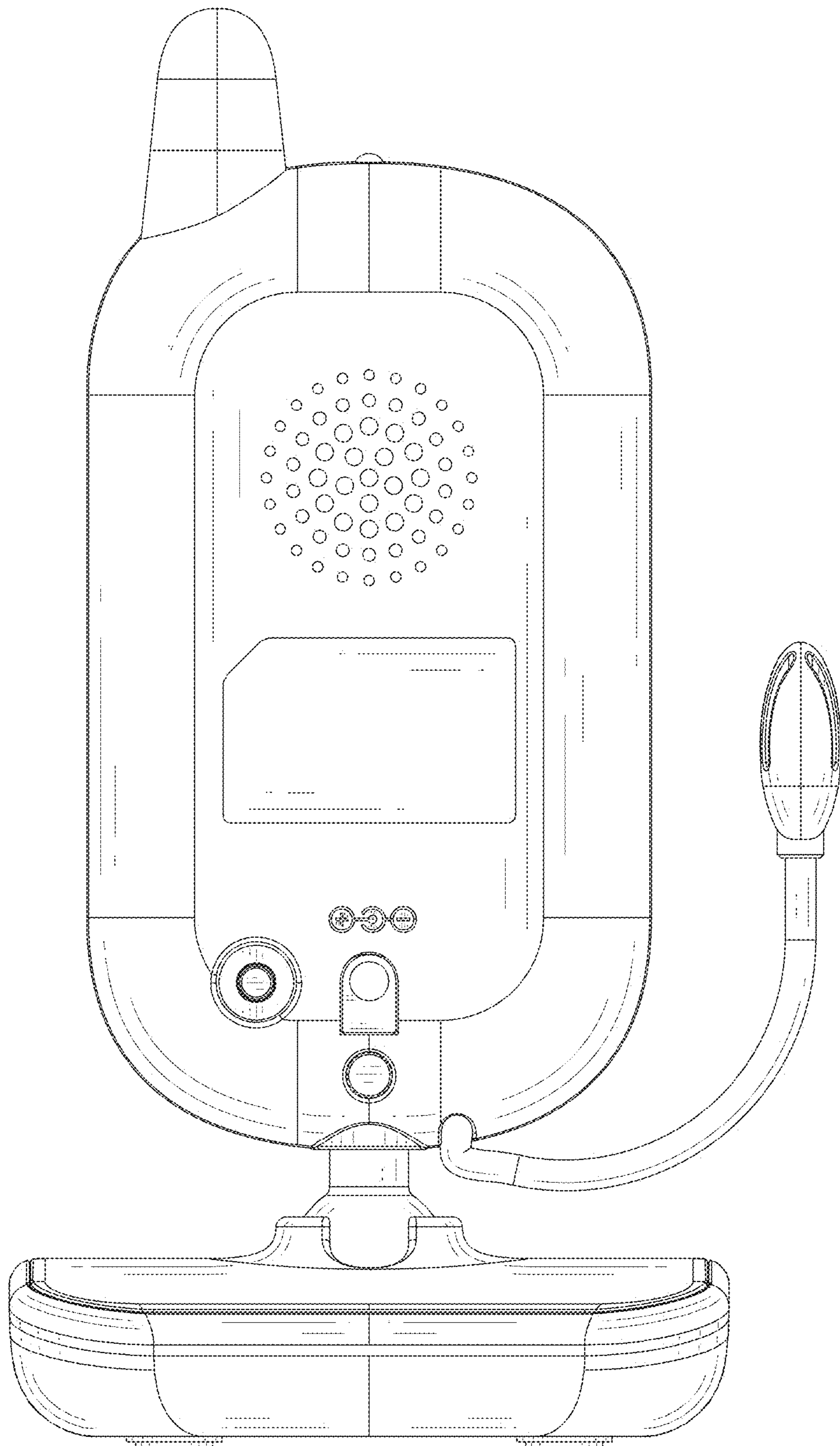


FIG. 4

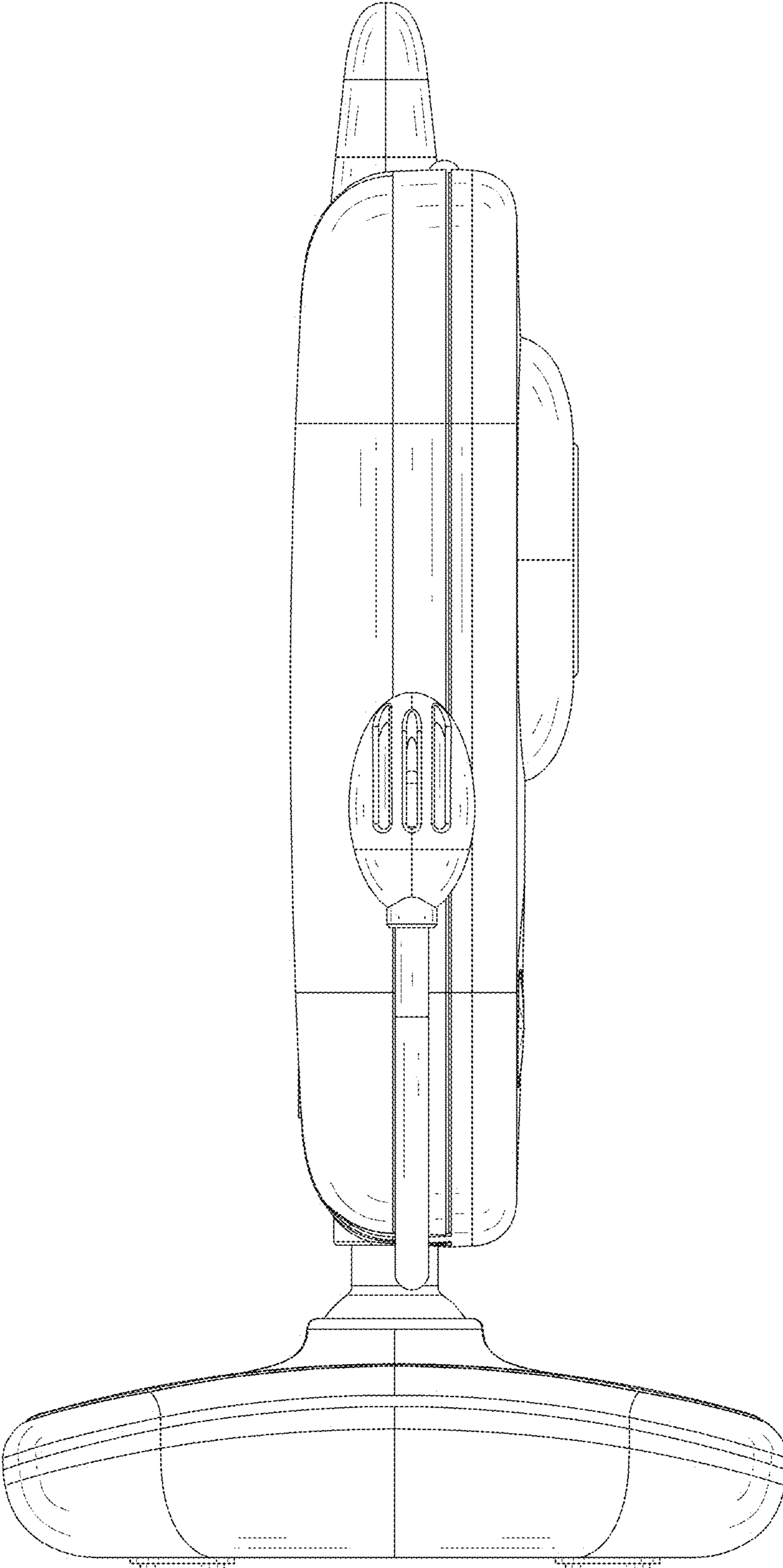


FIG. 5

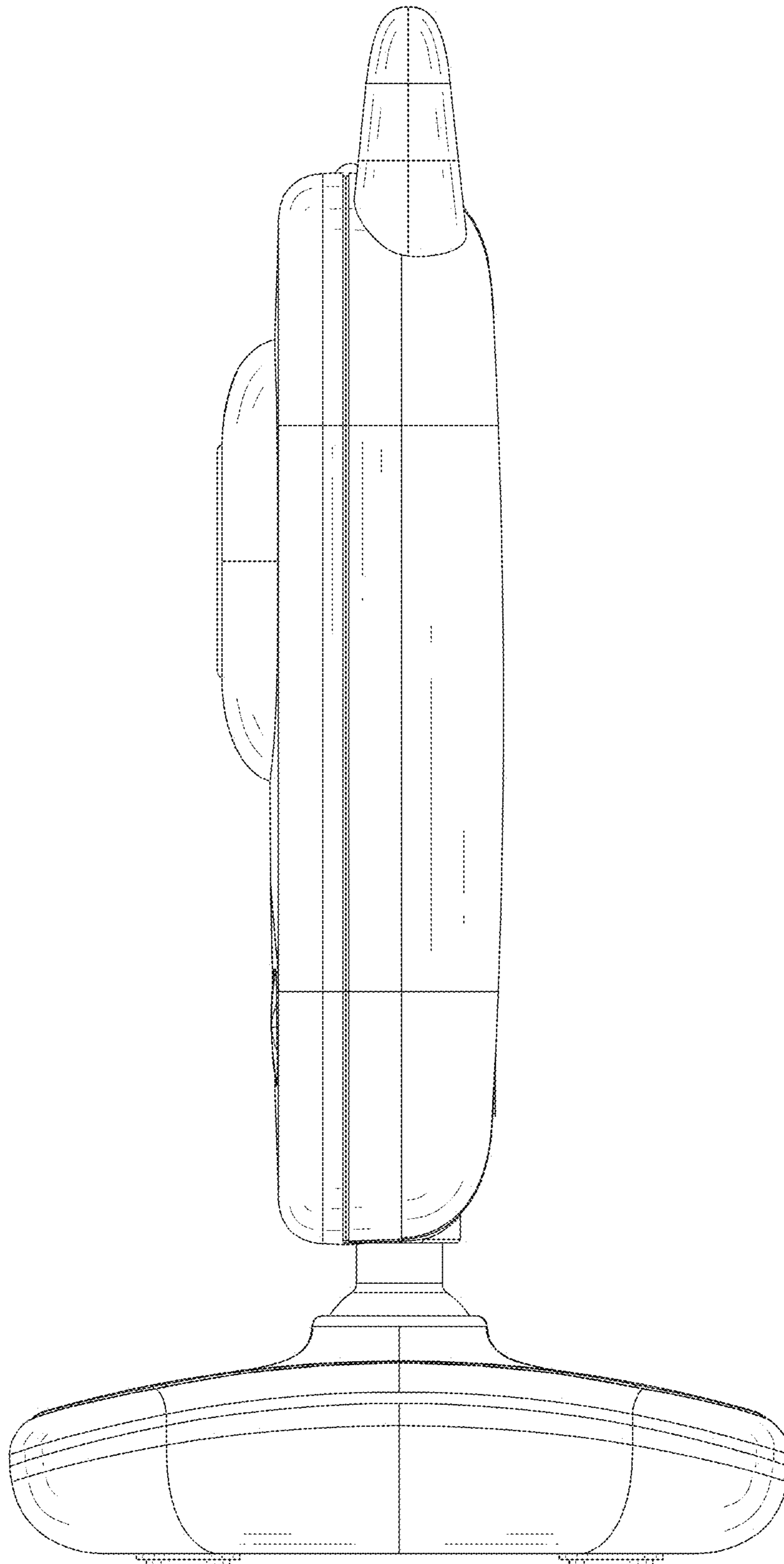


FIG. 6

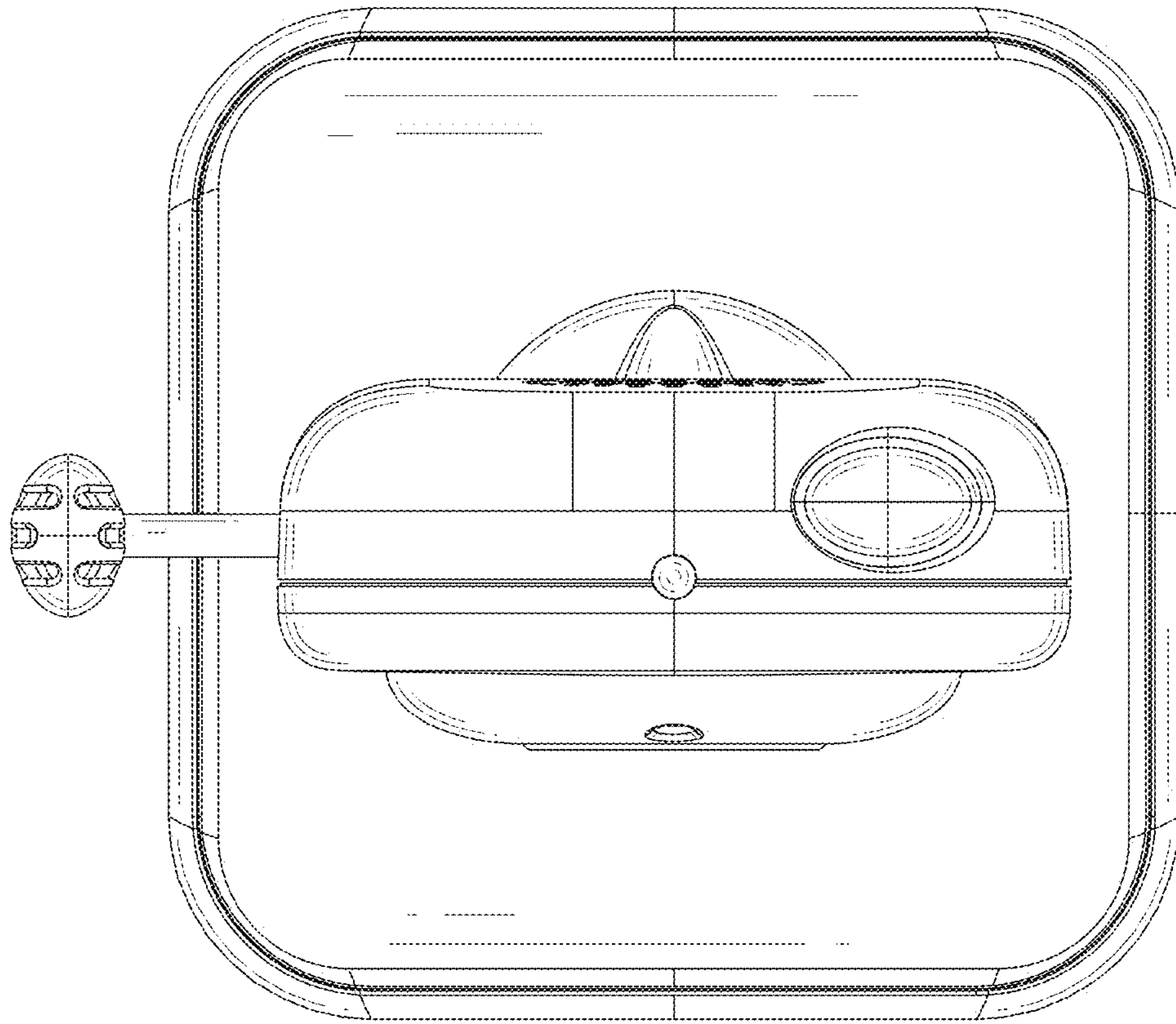


FIG. 7

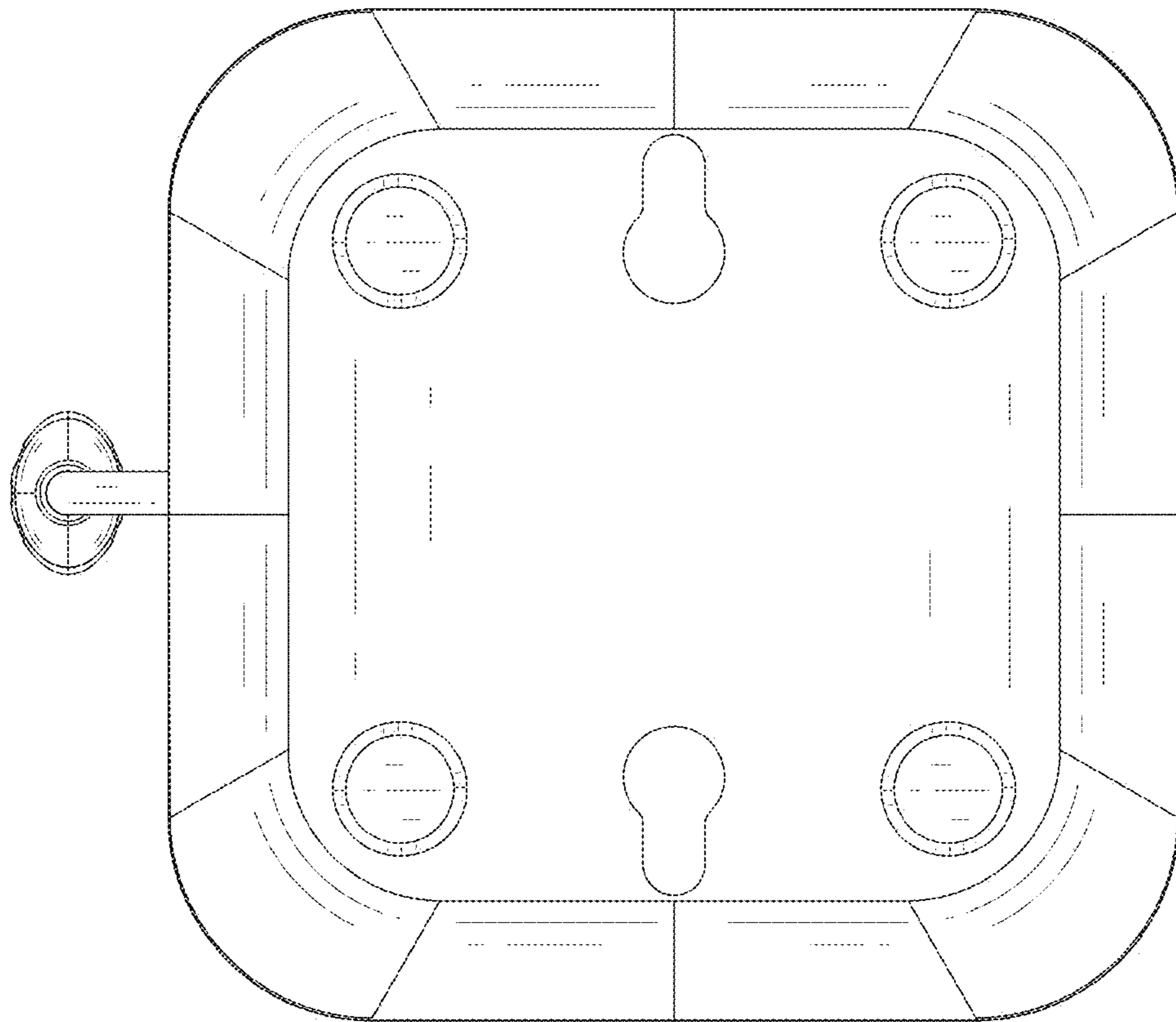


FIG. 8