



US00D914782S

(12) **United States Design Patent**
Huang

(10) **Patent No.:** **US D914,782 S**
(45) **Date of Patent:** **** Mar. 30, 2021**

(54) **DOUBLE SCREEN WATERPROOF CAMERA**

(71) Applicant: **Shenzhen Corecam Technology Development Limited, Shenzhen (CN)**

(72) Inventor: **Yan Huang, Shenzhen (CN)**

(73) Assignee: **Shenzhen Corecam Technology Development Limited, Shenzhen (CN)**

(**) Term: **15 Years**

(21) Appl. No.: **29/708,433**

(22) Filed: **Oct. 6, 2019**

(51) **LOC (13) Cl.** **16-01**

(52) **U.S. Cl.**
USPC **D16/202**

(58) **Field of Classification Search**
USPC D16/200, 202–210, 212, 218, 219;
348/373–376; 396/448, 535, 539–541
CPC G03B 15/03; G03B 17/02; G03B 17/04;
G03B 17/56; G03B 19/04; H04N 5/2251;
H04N 5/2252; H04N 5/2253; H04N
5/2254; H04N 2101/00
See application file for complete search history.

(56) **References Cited**

U.S. PATENT DOCUMENTS

D466,539 S * 12/2002 Suzuki D16/202
D524,837 S * 7/2006 Chen D16/202

D633,122 S * 2/2011 Booker D16/218
D694,303 S * 11/2013 Ham D16/202
D707,742 S * 6/2014 Imamizu D16/202
D753,749 S * 4/2016 Zhu D16/202
D794,693 S * 8/2017 Sato D16/202
D826,308 S * 8/2018 Tremblay D16/219
D865,835 S * 11/2019 Fidler D16/202
D865,836 S * 11/2019 Puusaari D16/202
D873,883 S * 1/2020 Lin D16/202
D875,164 S * 2/2020 Odashima D16/219
D884,055 S * 5/2020 Jeong D16/208

* cited by examiner

Primary Examiner — Ramzi S Almatrahi

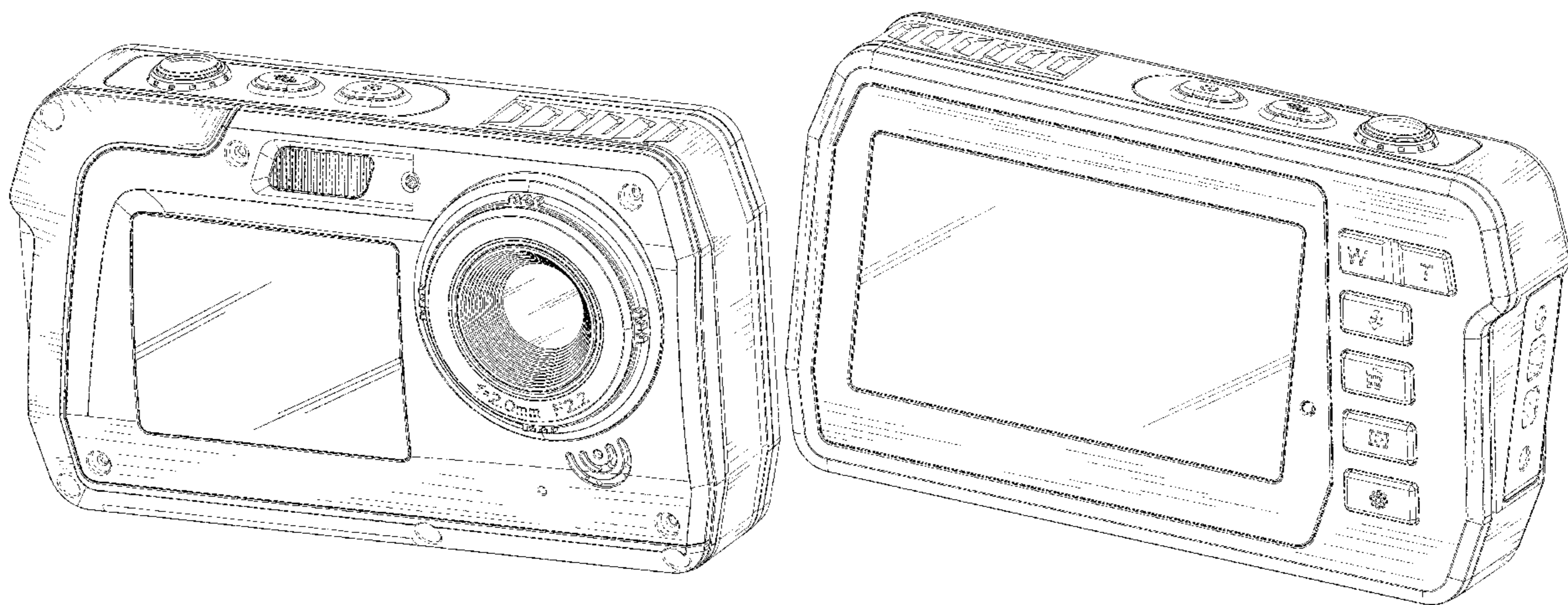
(57) **CLAIM**

The ornamental design for a double screen waterproof camera, as shown and described.

DESCRIPTION

FIG. 1 is a front perspective view of a double screen waterproof camera showing our new design; FIG. 2 is a rear perspective view thereof; FIG. 3 is a front elevational view thereof; FIG. 4 is a rear elevational view thereof; FIG. 5 is a top plan view thereof; FIG. 6 is a bottom plan view thereof; FIG. 7 is a right side elevational view thereof; and, FIG. 8 is a left side elevational view thereof. The broken lines depict portions of the double screen waterproof camera in which the design is embodied that form no part of the claimed design.

1 Claim, 8 Drawing Sheets



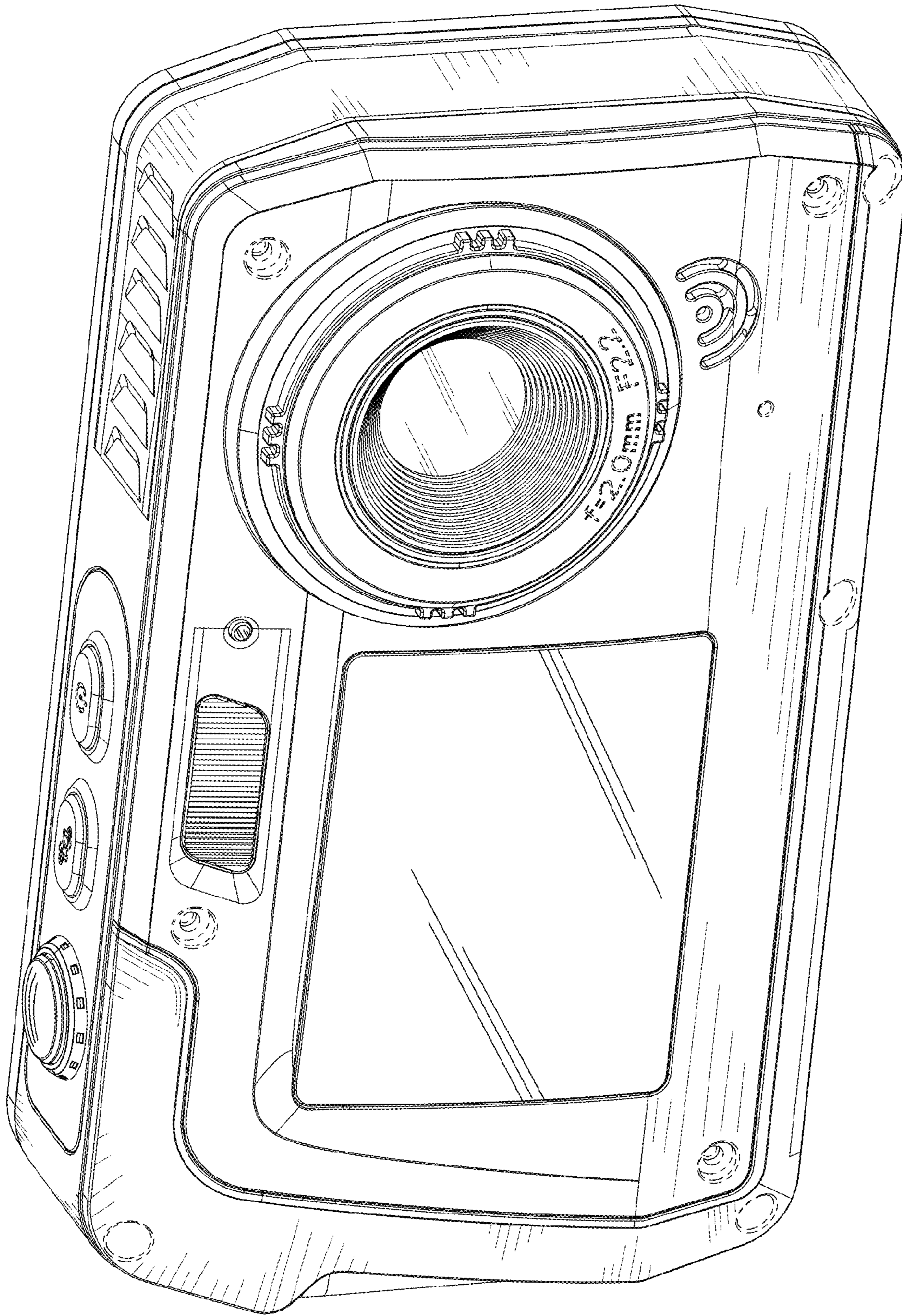


FIG.1

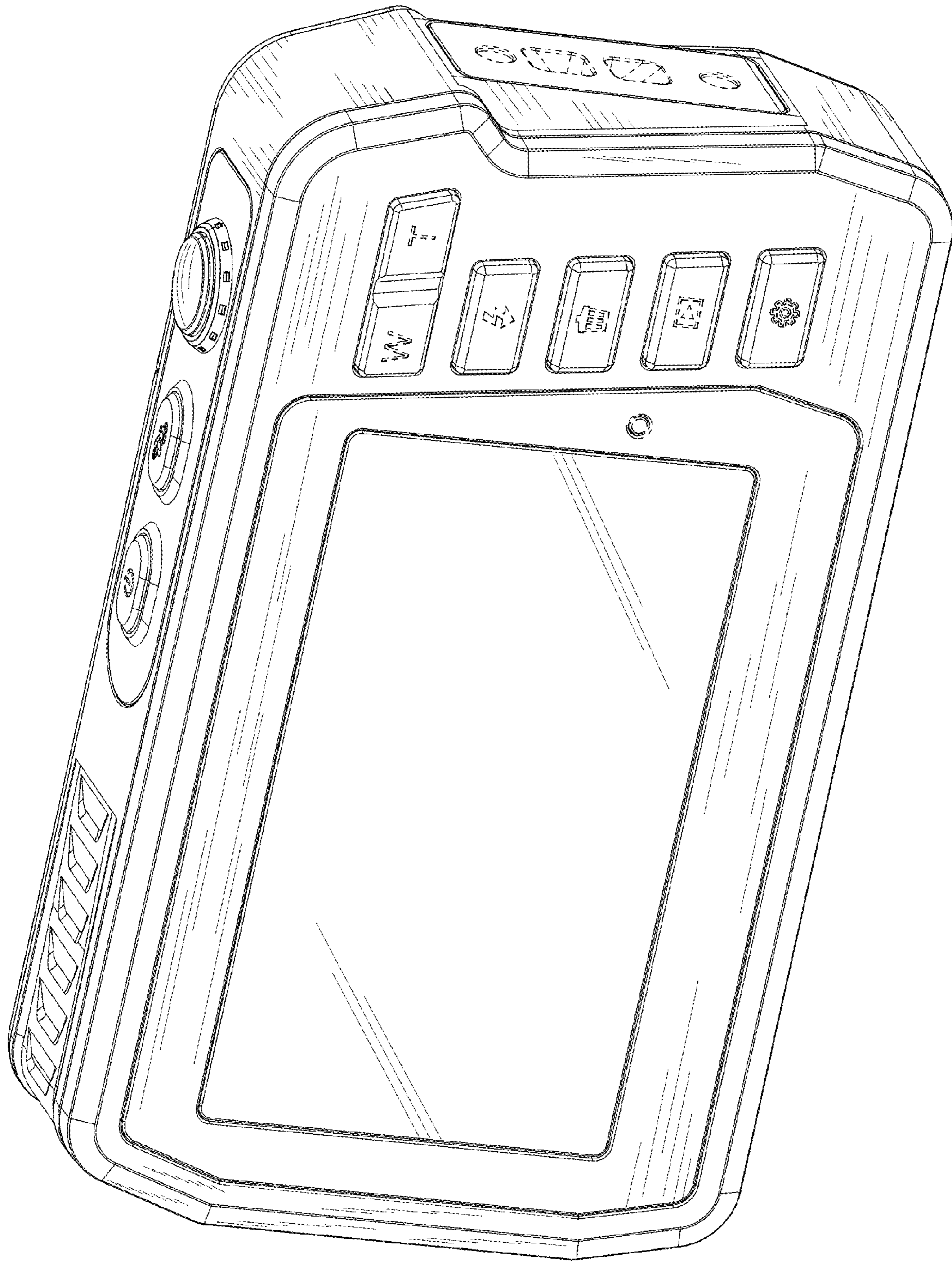


FIG.2

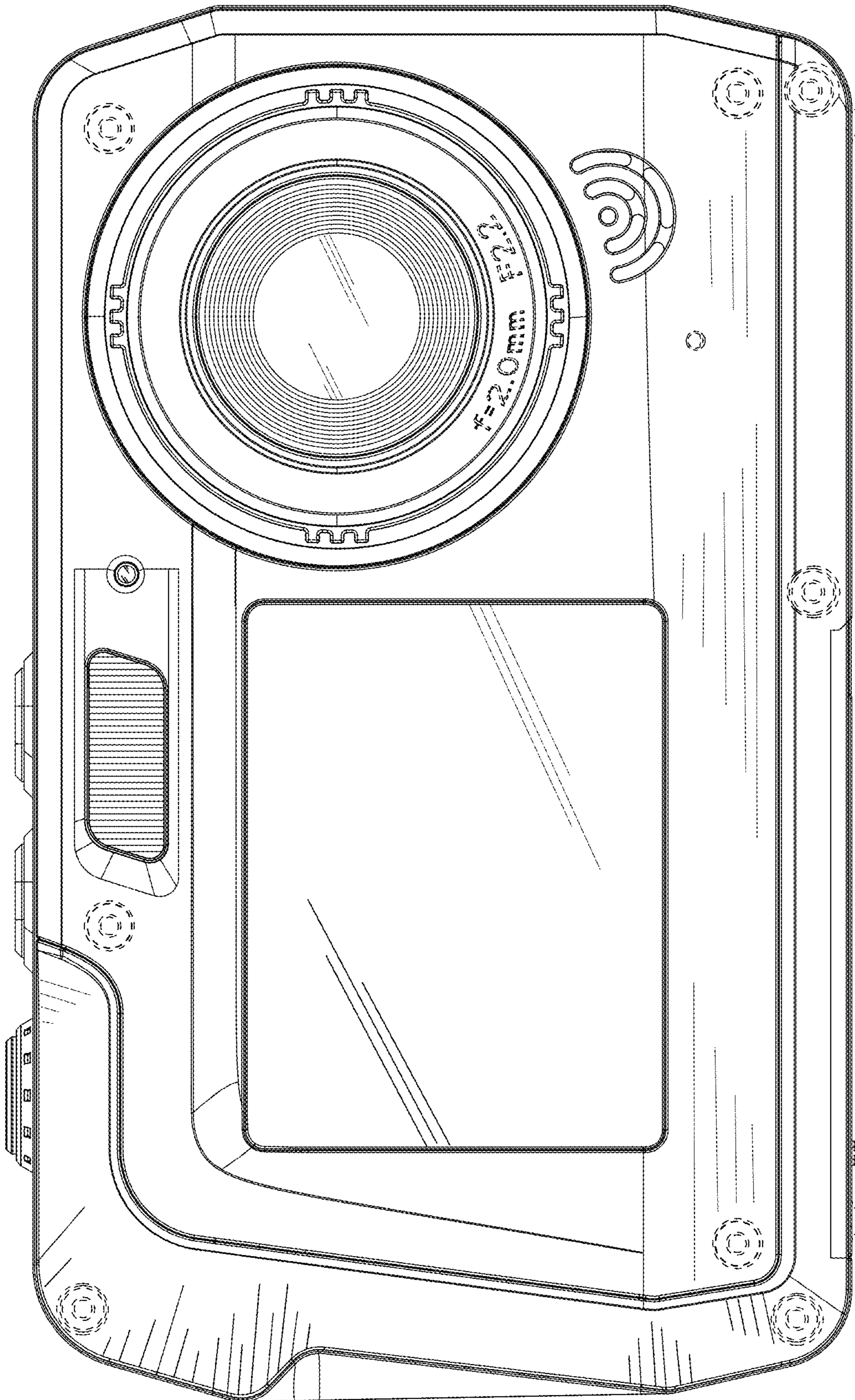


FIG.3

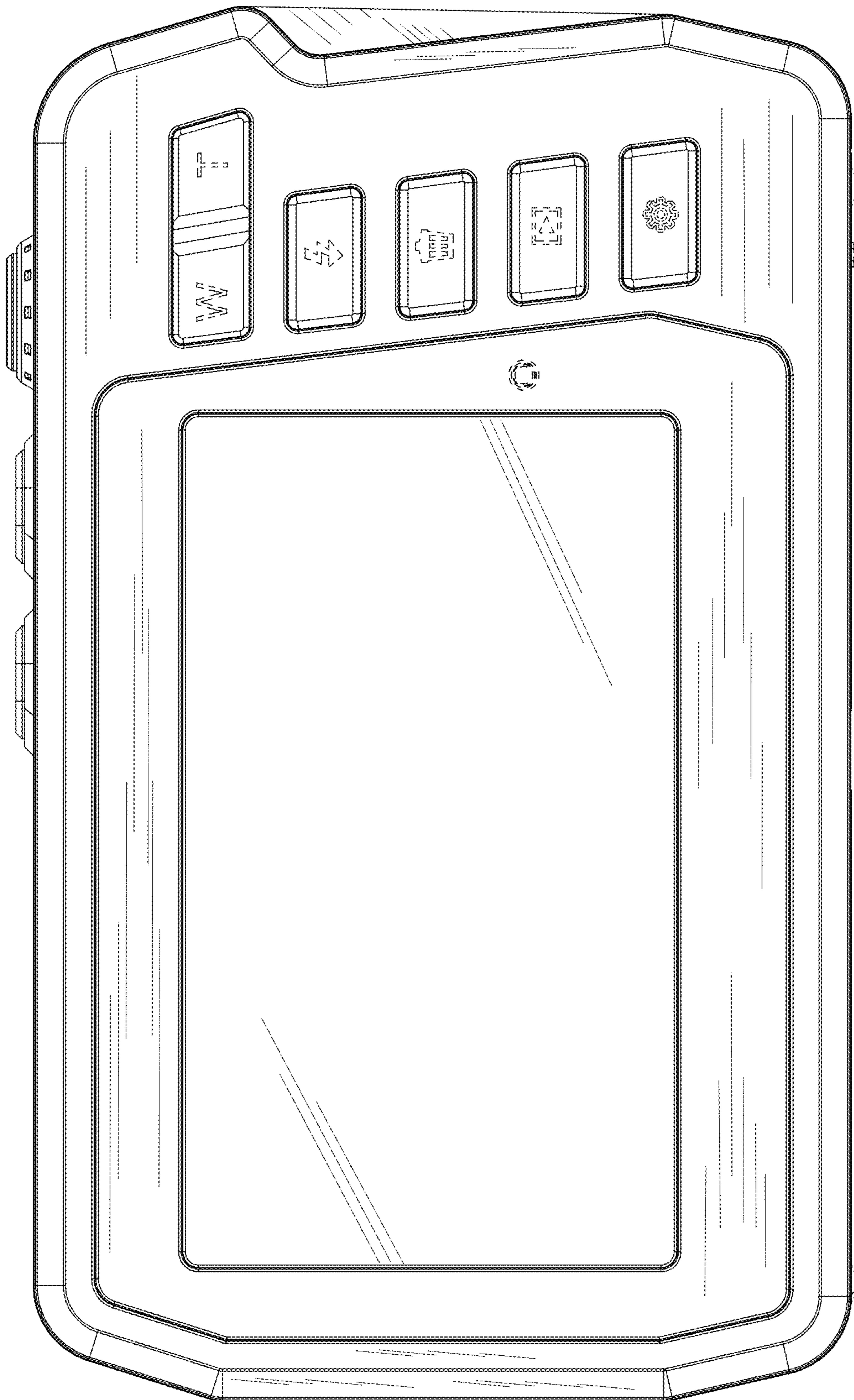


FIG.4

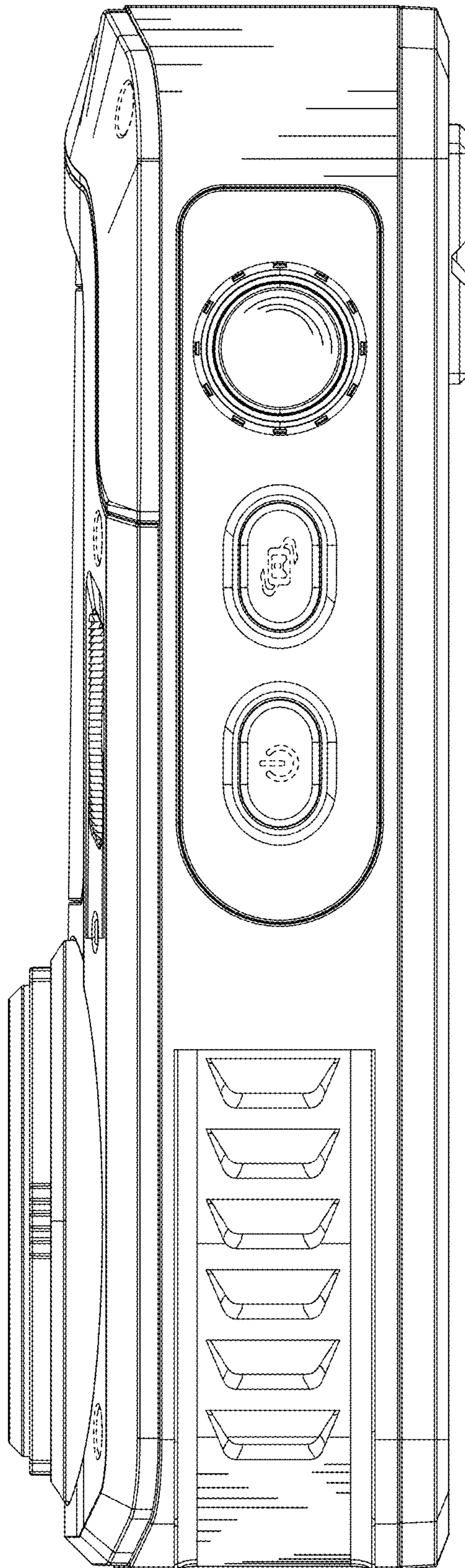


FIG.5

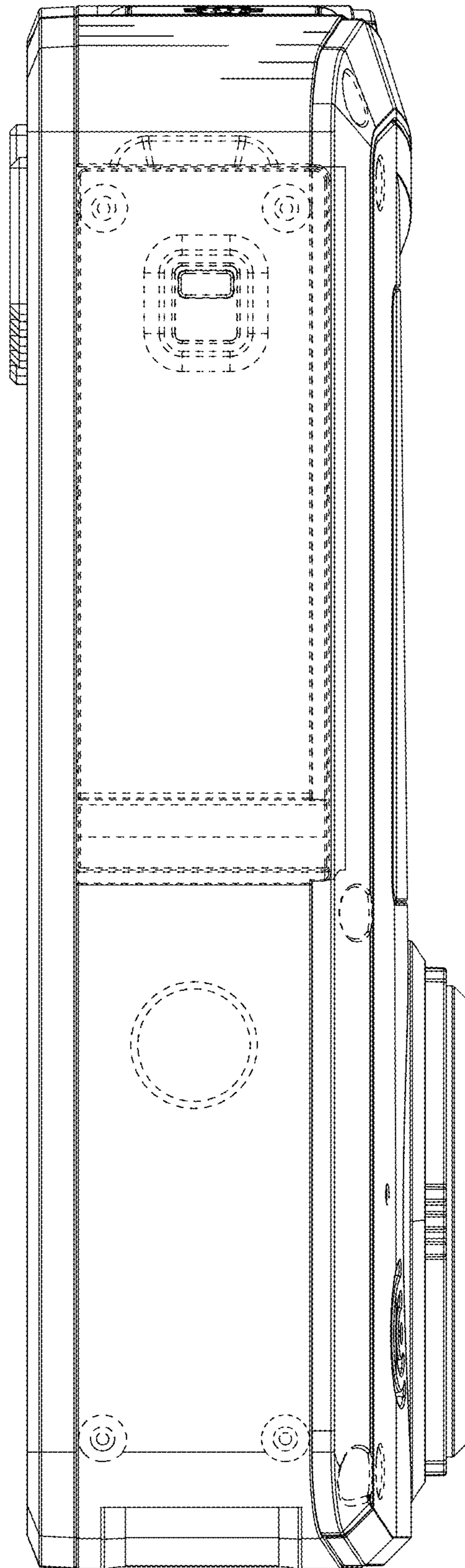


FIG. 6

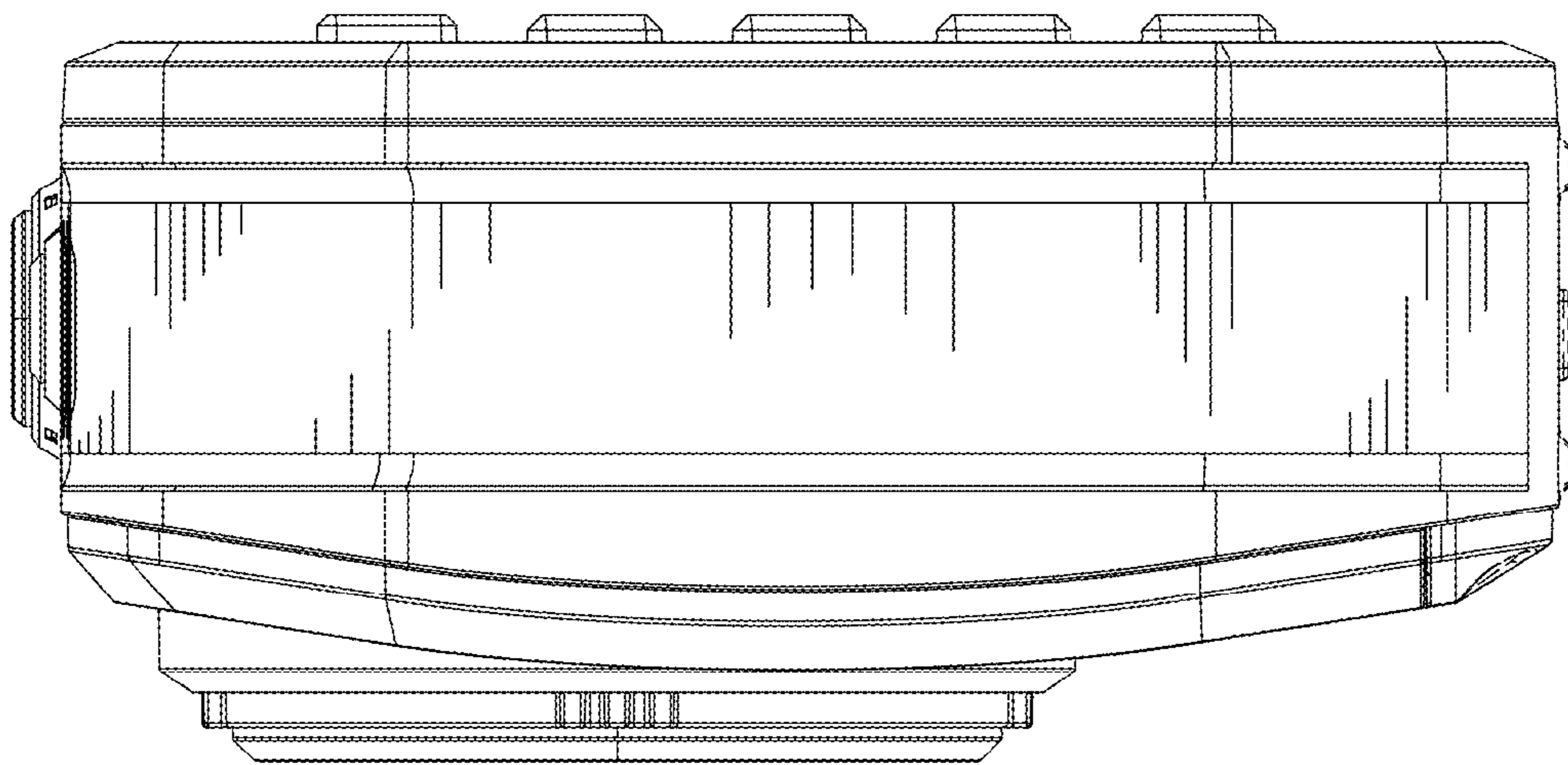


FIG.7

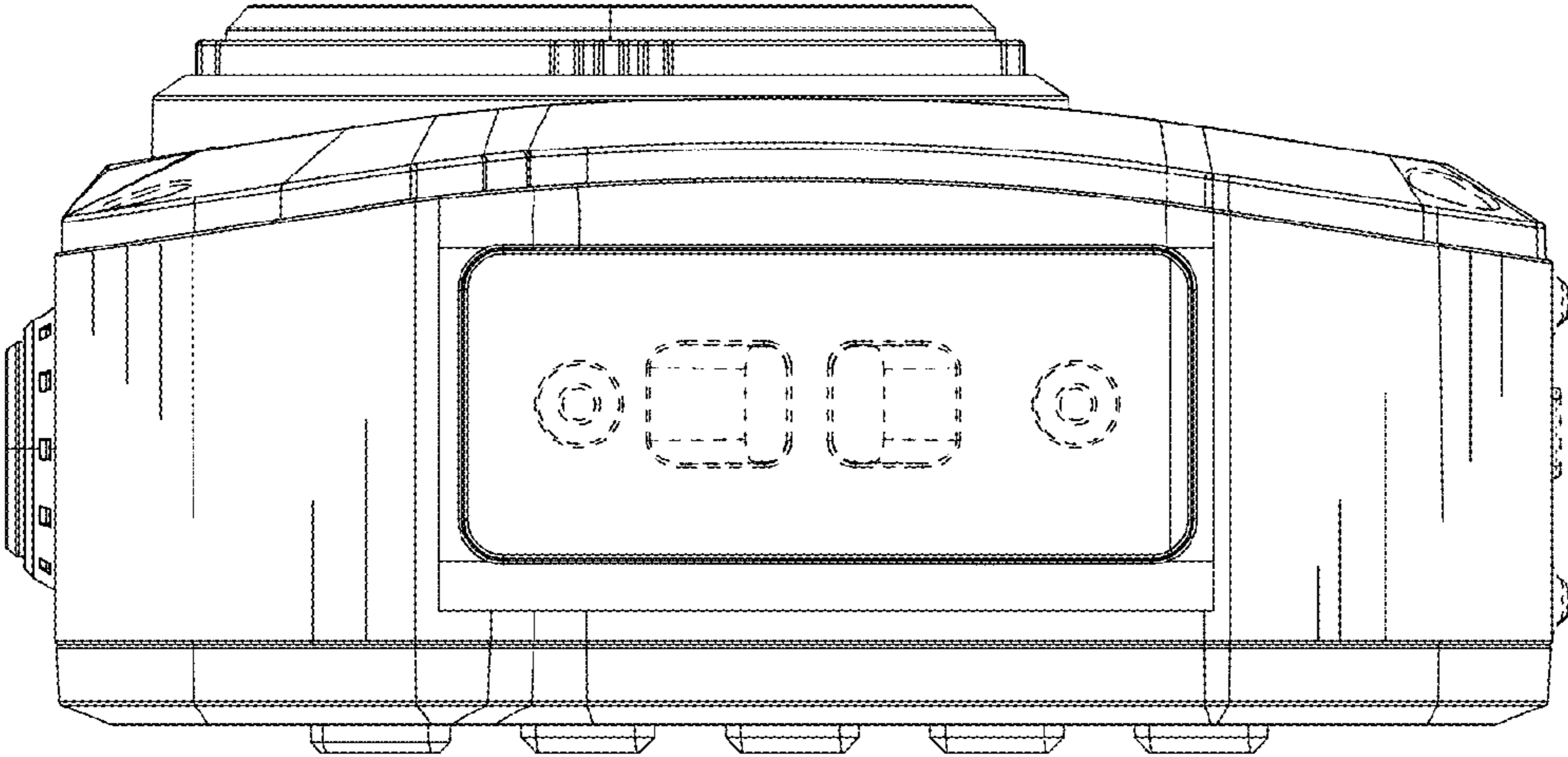


FIG.8