



US00D914781S

(12) **United States Design Patent**
Everman

(10) **Patent No.:** **US D914,781 S**

(45) **Date of Patent:** **** Mar. 30, 2021**

(54) **ROBOTIC ARM**

(71) Applicant: **Mobius Imaging, LLC**, Shirley, MA (US)

(72) Inventor: **Michael Everman**, Goleta, CA (US)

(73) Assignee: **Mobius Imaging LLC**, Shirley, MA (US)

(**) Term: **15 Years**

(21) Appl. No.: **29/741,416**

(22) Filed: **Jul. 13, 2020**

Related U.S. Application Data

(63) Continuation of application No. 29/658,835, filed on Aug. 3, 2018, now Pat. No. Des. 893,571, which is a continuation of application No. 29/577,095, filed on Sep. 9, 2016, now Pat. No. Des. 824,977.

(51) **LOC (13) Cl.** **15-99**

(52) **U.S. Cl.**
USPC **D15/199**

(58) **Field of Classification Search**

USPC D15/126, 138, 199; D21/345, 350, 360, D21/361, 362, 383, 384, 398, 399, 414, D21/415, 418, 428, 455, 503, 504, 528, D21/529, 558, 578, 579, 594, 612, 621, D21/627, 658; D24/138, 155, 185, 198, D24/205, 208, 211, 231, 232; D29/124, D29/129; D34/35; D99/1, 17, 30, 34, D99/37, 38, 39, 99

CPC G06N 3/00; G06N 3/004; G06N 3/006; G06N 3/008; G06N 5/00

See application file for complete search history.

(56) **References Cited**

U.S. PATENT DOCUMENTS

D461,484 S 8/2002 Kraft
D496,952 S 10/2004 D'Andreta

7,410,483 B2 8/2008 Danitz
7,597,025 B2 10/2009 Narita et al.
7,646,161 B2 1/2010 Albu-Schaffer et al.
D613,781 S 4/2010 Liu
7,836,788 B2 11/2010 Kamon et al.
7,841,256 B2 11/2010 Hama et al.
D638,043 S 5/2011 Tsuchiya
D638,455 S * 5/2011 Long D15/199
D646,703 S 10/2011 Wong
D650,820 S * 12/2011 Long D15/199
8,126,114 B2 2/2012 Naylor et al.
D655,324 S 3/2012 Wong
8,160,743 B2 4/2012 Birkenbach et al.
D670,319 S * 11/2012 Liu D15/199

(Continued)

Primary Examiner — Michael C Stout

Assistant Examiner — Fritzgerald L Butac

(74) *Attorney, Agent, or Firm* — Howard & Howard Attorneys PLLC

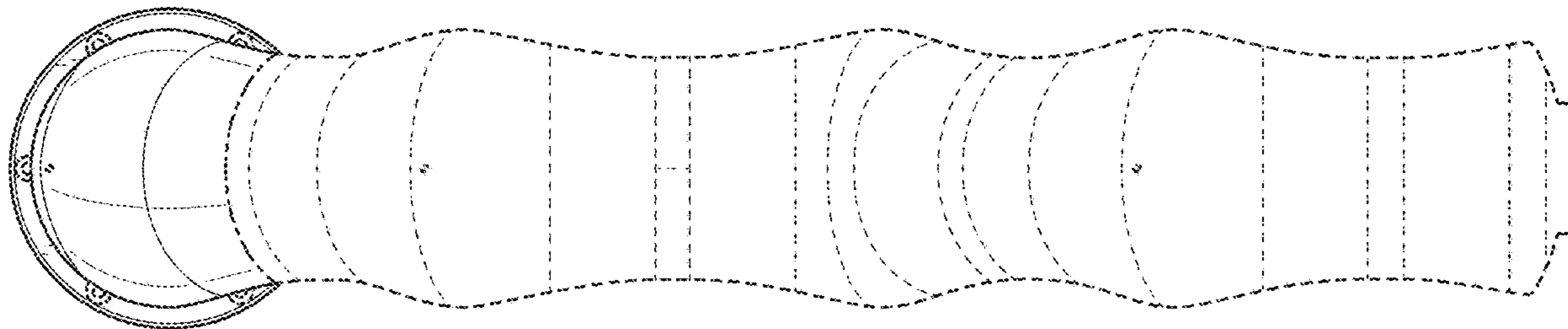
(57) **CLAIM**

The ornamental design for a robotic arm, as shown and described.

DESCRIPTION

FIG. 1 is a top view of a robotic arm embodying the design. FIG. 2 is a bottom view thereof. FIG. 3 is a front elevation view thereof. FIG. 4 is a rear elevation view thereof. FIG. 5 is a left side view thereof. The right side view of the robotic arm is a mirror image of the left side. FIG. 6 is a left perspective view thereof; and, FIG. 7 is a right perspective view thereof. The broken lines in FIGS. 1-7 show portions of a robotic arm that form no part of the claimed design. The “dash-dot” broken lines in FIGS. 1-7 are for the purpose of showing the bounds of the claimed design and form no part thereof.

1 Claim, 7 Drawing Sheets



(56)

References Cited

U.S. PATENT DOCUMENTS

D676,341 S * 2/2013 Bailey D10/63
 8,386,077 B2 2/2013 Birkenbach et al.
 D677,294 S 3/2013 Long
 D678,378 S * 3/2013 Selic D15/199
 8,393,588 B2 3/2013 Blum et al.
 D681,708 S 5/2013 Miyake
 D692,041 S * 10/2013 Selic D15/199
 8,761,337 B2 6/2014 Naylor et al.
 D716,357 S * 10/2014 Gombert D15/199
 D749,223 S 2/2016 Vargas
 D761,339 S 7/2016 White, Jr.
 D769,343 S 10/2016 Bordegnoni
 D776,178 S * 1/2017 Ries D15/199
 D776,735 S 1/2017 Zhu et al.
 9,550,299 B2 1/2017 Wolf et al.
 D800,199 S 10/2017 Yang et al.
 D800,813 S 10/2017 Zhu et al.
 D802,041 S * 11/2017 He D15/199
 9,833,292 B2 12/2017 Kostrzewski et al.
 D807,936 S * 1/2018 He D15/199
 D822,736 S 7/2018 Kato et al.
 D822,737 S * 7/2018 Kato D15/199
 D824,977 S * 8/2018 Everman D15/199
 D824,979 S 8/2018 Harris et al.
 D825,632 S 8/2018 Clemmer
 D830,439 S * 10/2018 Park D15/199
 D831,087 S * 10/2018 Morimoto D15/199
 D834,082 S * 11/2018 Bordegnoni D15/199
 10,159,534 B2 12/2018 Maillet et al.
 D837,294 S * 1/2019 Ciniello D19/59
 D837,853 S * 1/2019 Deng D15/199

D839,941 S 2/2019 Gao et al.
 D841,065 S * 2/2019 Hontani D15/199
 D841,707 S 2/2019 Yamamoto et al.
 D841,710 S 2/2019 Klassen
 D841,712 S * 2/2019 Hontani D15/199
 D843,379 S 3/2019 Lindo et al.
 D843,380 S 3/2019 Lindo et al.
 D844,039 S 3/2019 Yoon
 D844,040 S 3/2019 Yoon
 D844,041 S * 3/2019 Yoon D15/199
 D844,042 S * 3/2019 Yoon D15/199
 D844,485 S 4/2019 Siegel
 D852,862 S * 7/2019 Dosho D15/199
 D852,863 S * 7/2019 Dosho D15/199
 D856,390 S * 8/2019 Morimoto D15/199
 D860,281 S * 9/2019 Gulassa D15/199
 D865,828 S * 11/2019 Bogart D15/199
 D870,169 S * 12/2019 Dosho D15/199
 D873,878 S * 1/2020 Vazquez D15/199
 D874,530 S * 2/2020 Haddadin D15/199
 D877,787 S * 3/2020 Kinoshita D15/199
 D881,251 S * 4/2020 Abe D15/199
 D882,655 S * 4/2020 Kouthoofd D15/199
 D885,452 S * 5/2020 Haddadin D15/199
 D892,888 S * 8/2020 Random D15/199
 D892,889 S * 8/2020 Random D15/199
 D893,571 S 8/2020 Everman
 2017/0098959 A1 4/2017 Kikuchi
 2017/0098964 A1 4/2017 Sakata
 2017/0098965 A1 4/2017 Kikuchi
 2017/0098991 A1 4/2017 Takahashi
 2018/0243927 A1 8/2018 Dufau
 2019/0046278 A1 2/2019 Steinle et al.

* cited by examiner

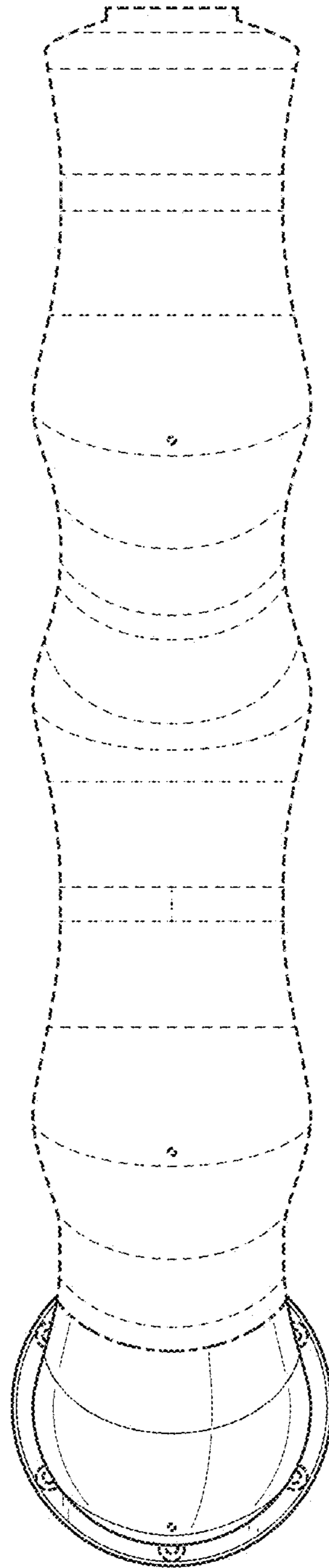


FIG. 1

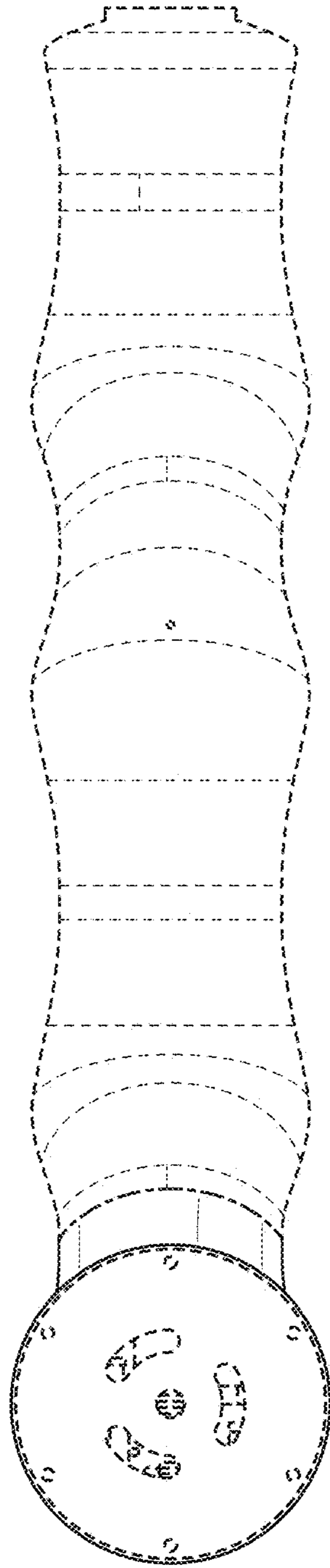


FIG. 2

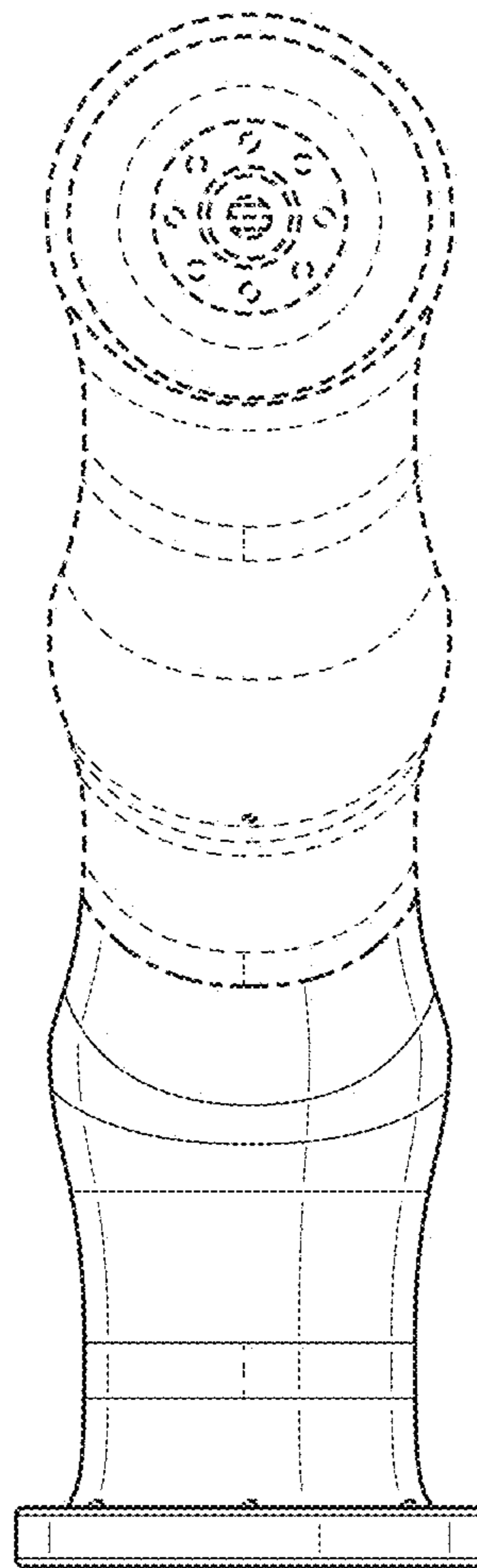


FIG. 3

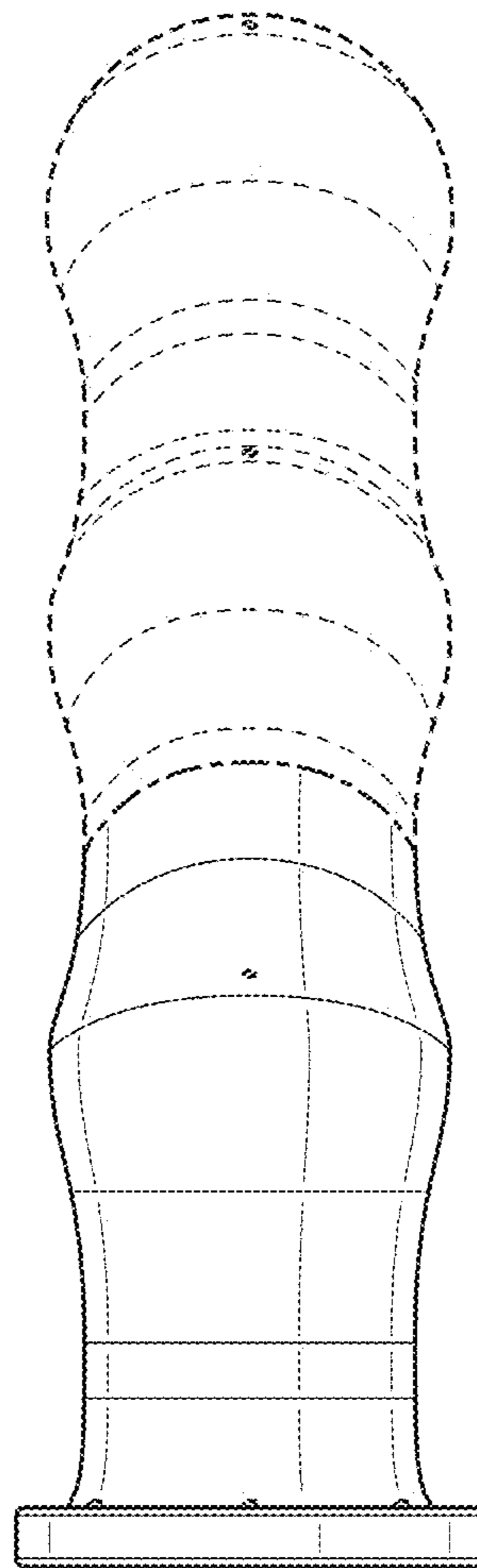


FIG. 4

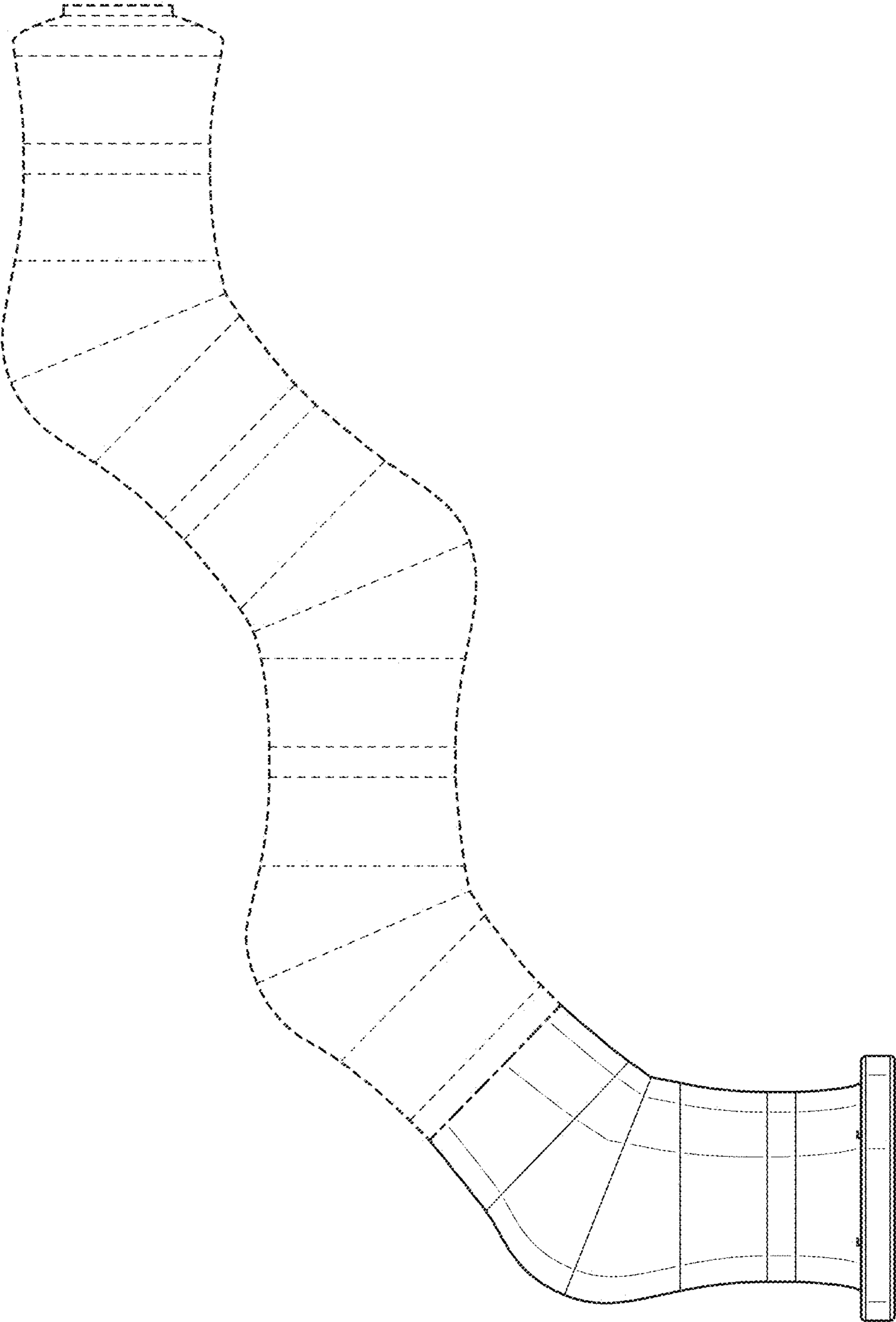


FIG. 5

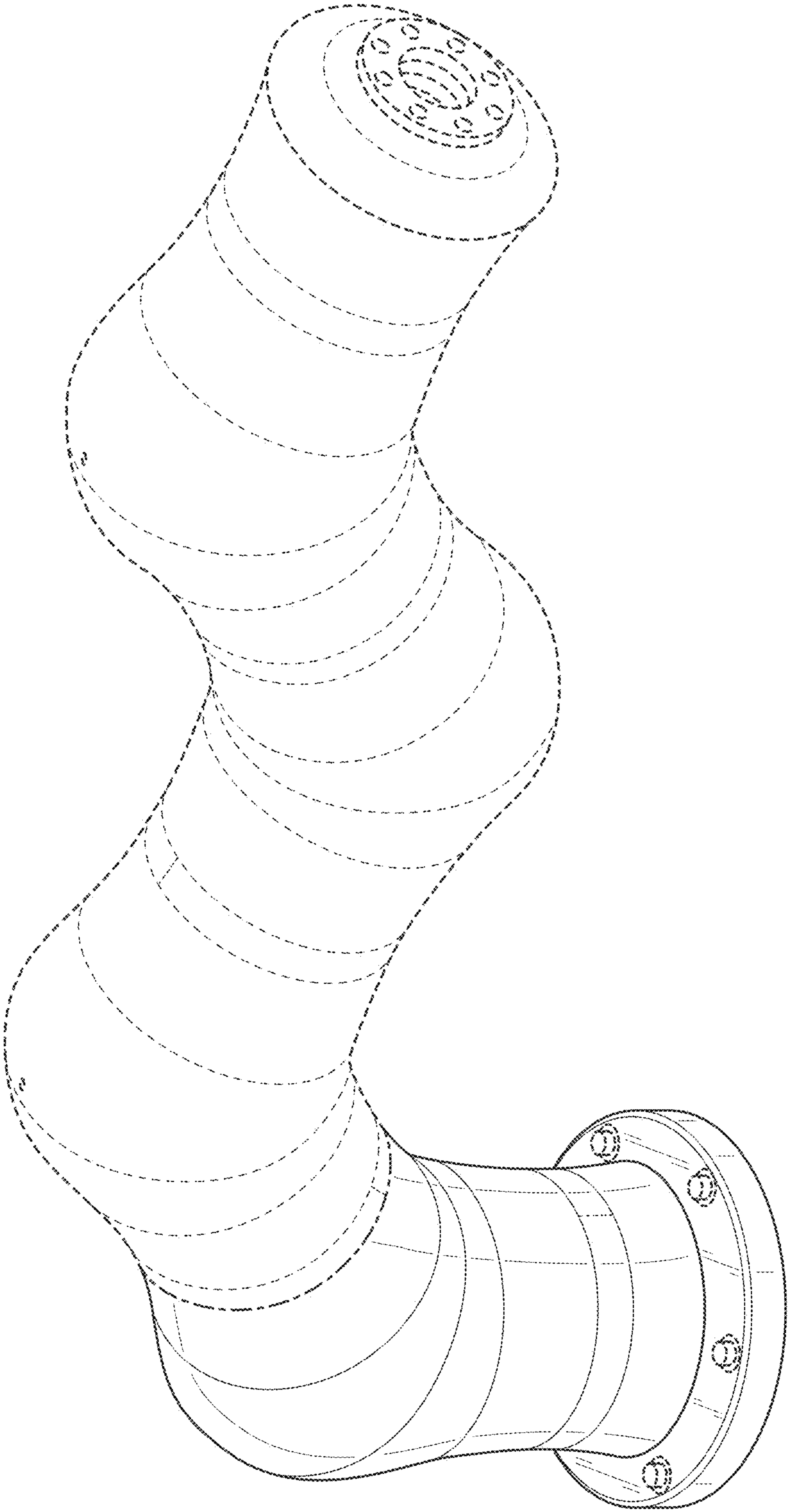


FIG. 6

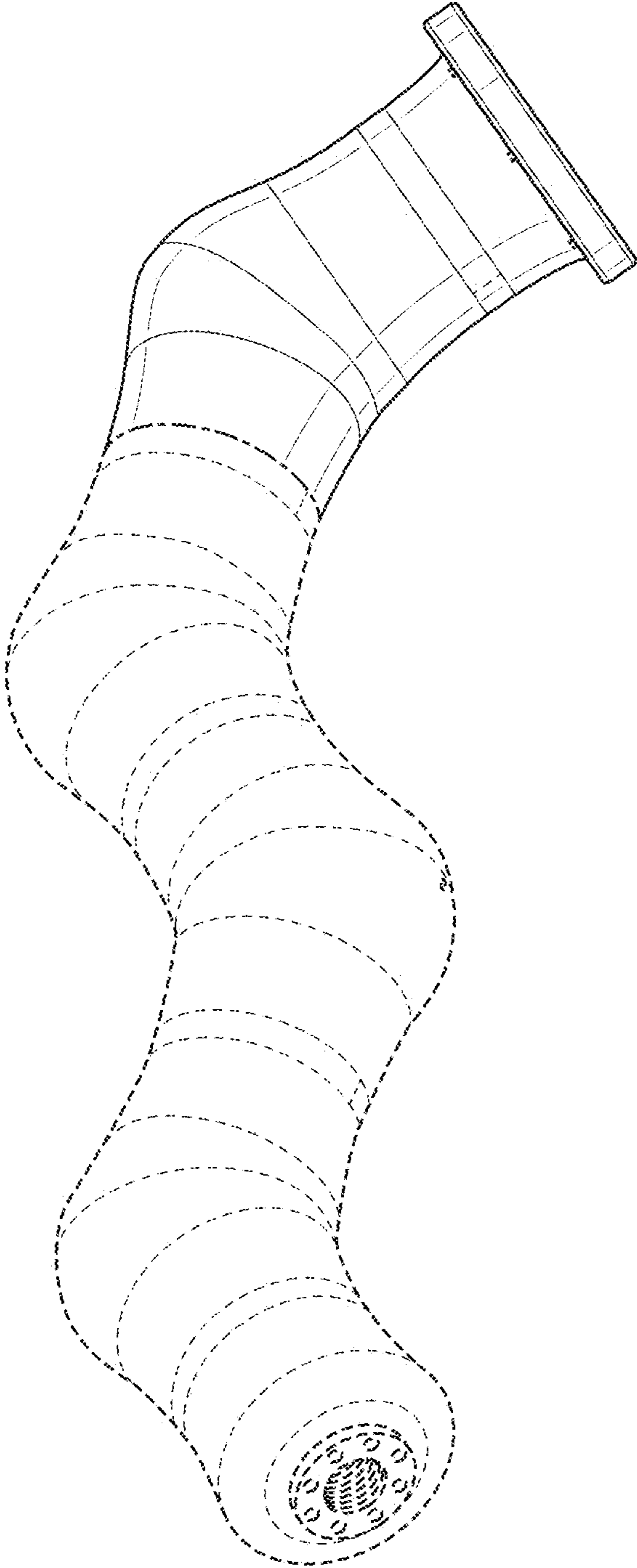


FIG. 7