



US00D914779S

(12) **United States Design Patent**
Poluboiarinov

(10) **Patent No.:** **US D914,779 S**
(45) **Date of Patent:** **** Mar. 30, 2021**

(54) **SECURITY ROBOT**

(71) Applicant: **SMP Robotics Systems Corp.**,
Sausalito, CA (US)

(72) Inventor: **Sergei Poluboiarinov**, Moscow (RU)

(73) Assignee: **SMP Robotics Systems Corp.**,
Sausalito, CA (US)

(**) Term: **15 Years**

(21) Appl. No.: **29/694,505**

(22) Filed: **Jun. 11, 2019**

(51) **LOC (13) Cl.** **15-99**

(52) **U.S. Cl.**
USPC **D15/199**

(58) **Field of Classification Search**
USPC D15/199; D21/578-583, 621, 622;
D32/21; D34/34
CPC B25J 5/007; B60B 19/006; B62D 57/024;
H01F 7/0221; Y10S 901/01
See application file for complete search history.

(56) **References Cited**

U.S. PATENT DOCUMENTS

D822,124 S * 7/2018 Bei D21/533
D859,485 S * 9/2019 Sutherland D15/199

10,399,616 B2 * 9/2019 Ellerman A63H 33/26
D872,788 S * 1/2020 Sutherland D15/199
2015/0224640 A1 * 8/2015 Vu B25J 5/007
700/259

* cited by examiner

Primary Examiner — Patricia A Palasik

(74) *Attorney, Agent, or Firm* — K&L Gates LLP

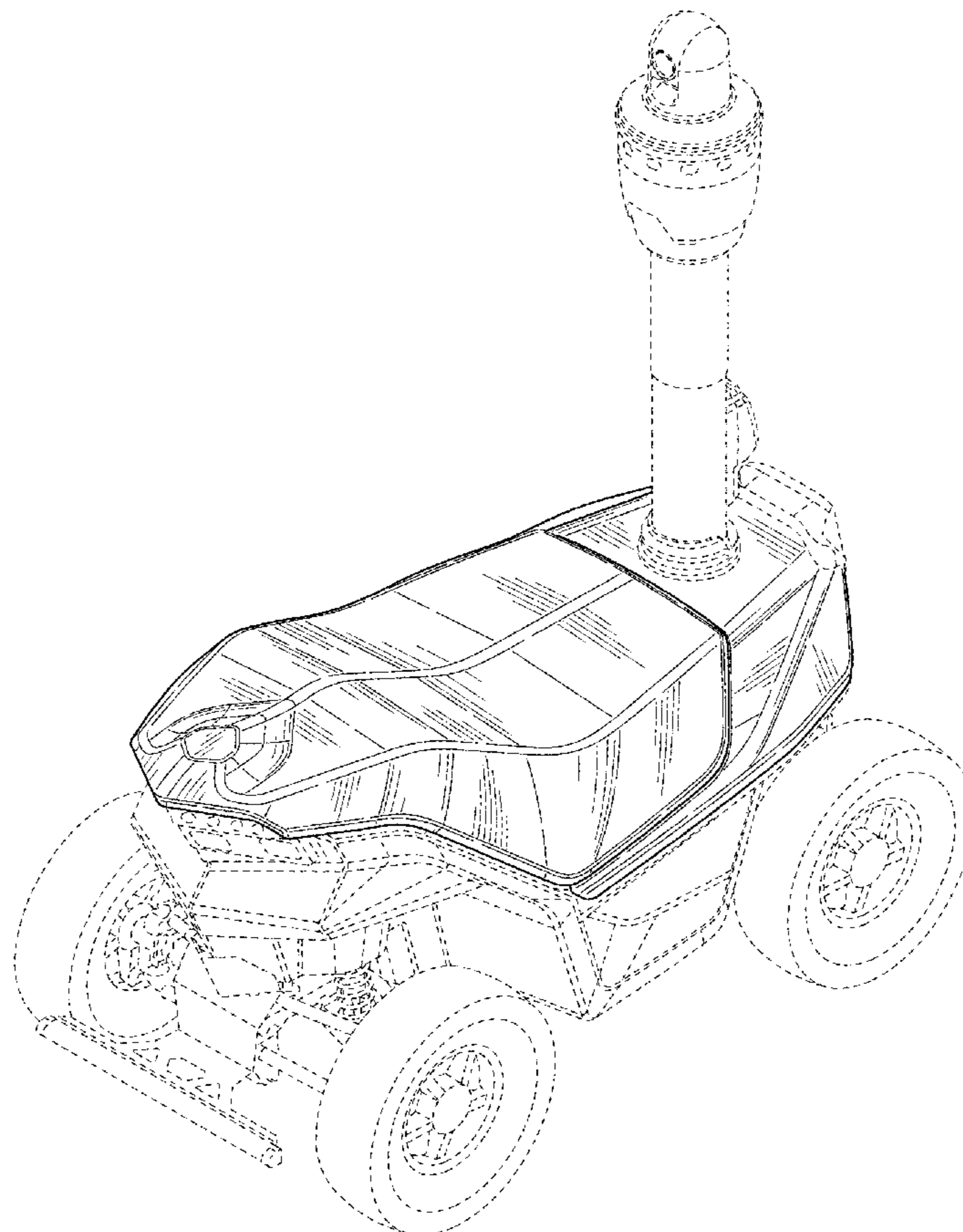
(57) **CLAIM**

The ornamental design for a security robot, as shown and described.

DESCRIPTION

FIG. 1 is an isometric view of a security robot showing my new design;
FIG. 2 is a front elevation view thereof;
FIG. 3 is a back elevation view thereof;
FIG. 4 is a right side elevation view thereof;
FIG. 5 is a left side elevation view thereof;
FIG. 6 is a top plan view thereof; and,
FIG. 7 is a bottom plan view thereof.
Those portions of the figures that are presented in broken lines merely illustrate the environment of the design and are not part of the claimed design.

1 Claim, 7 Drawing Sheets



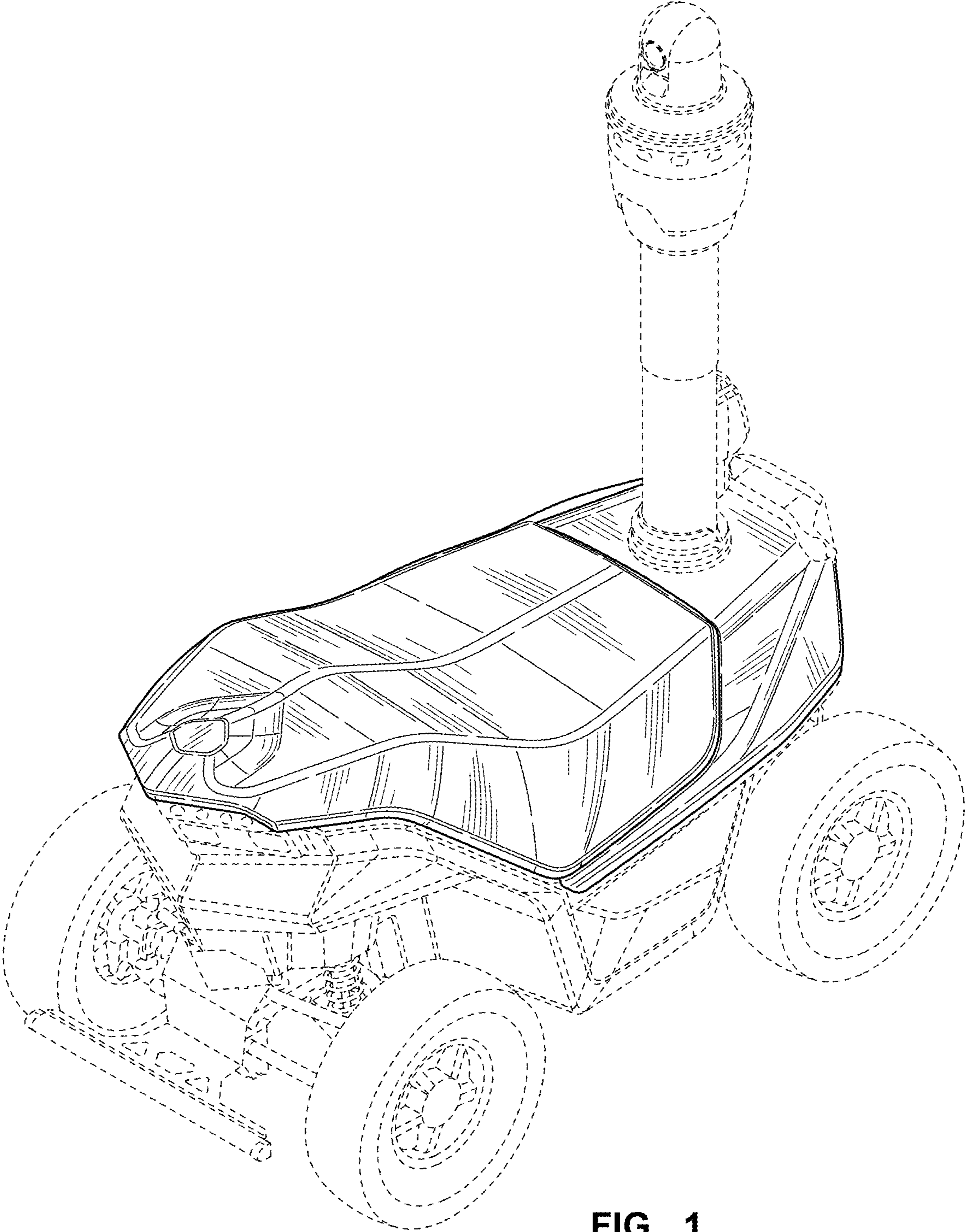


FIG. 1

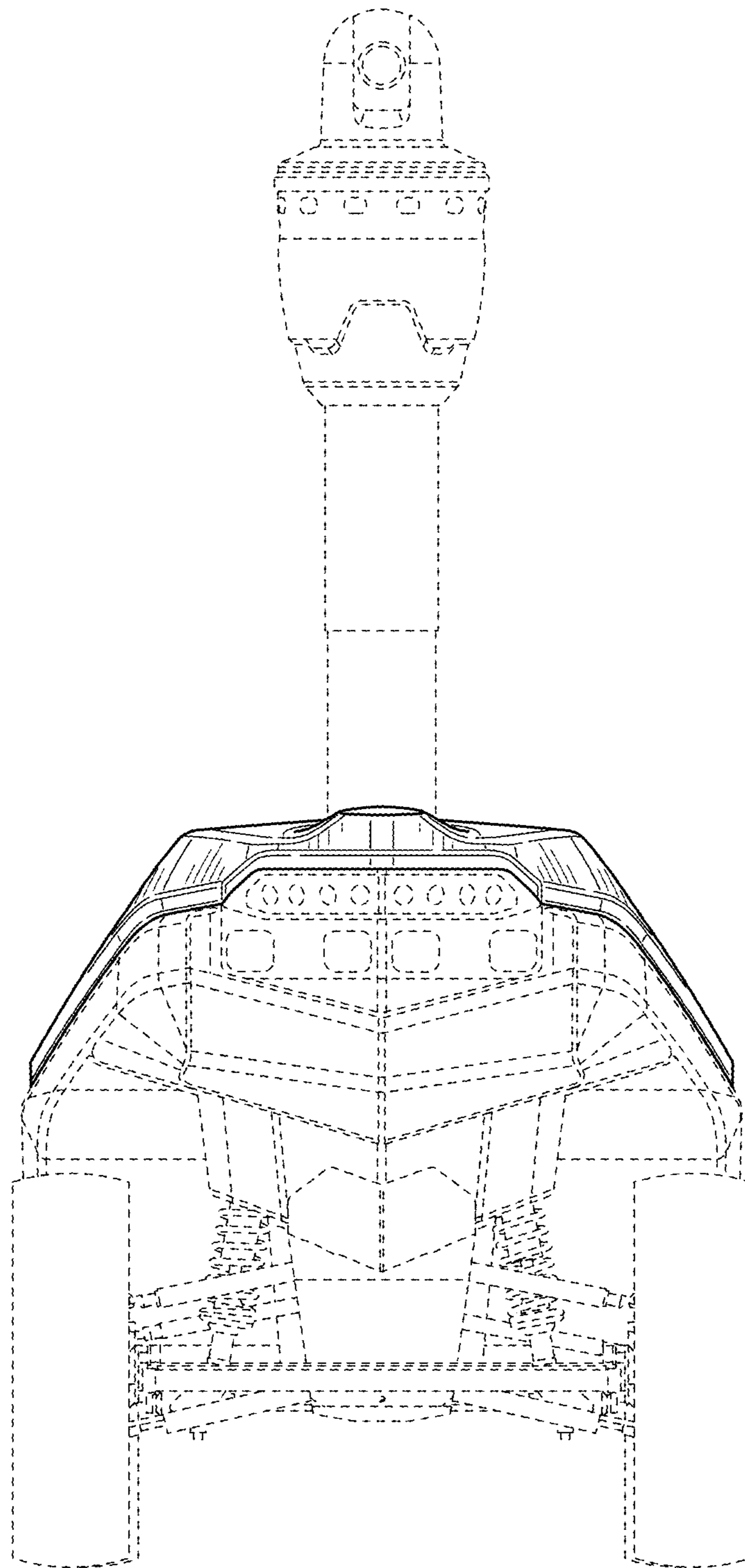


FIG. 2

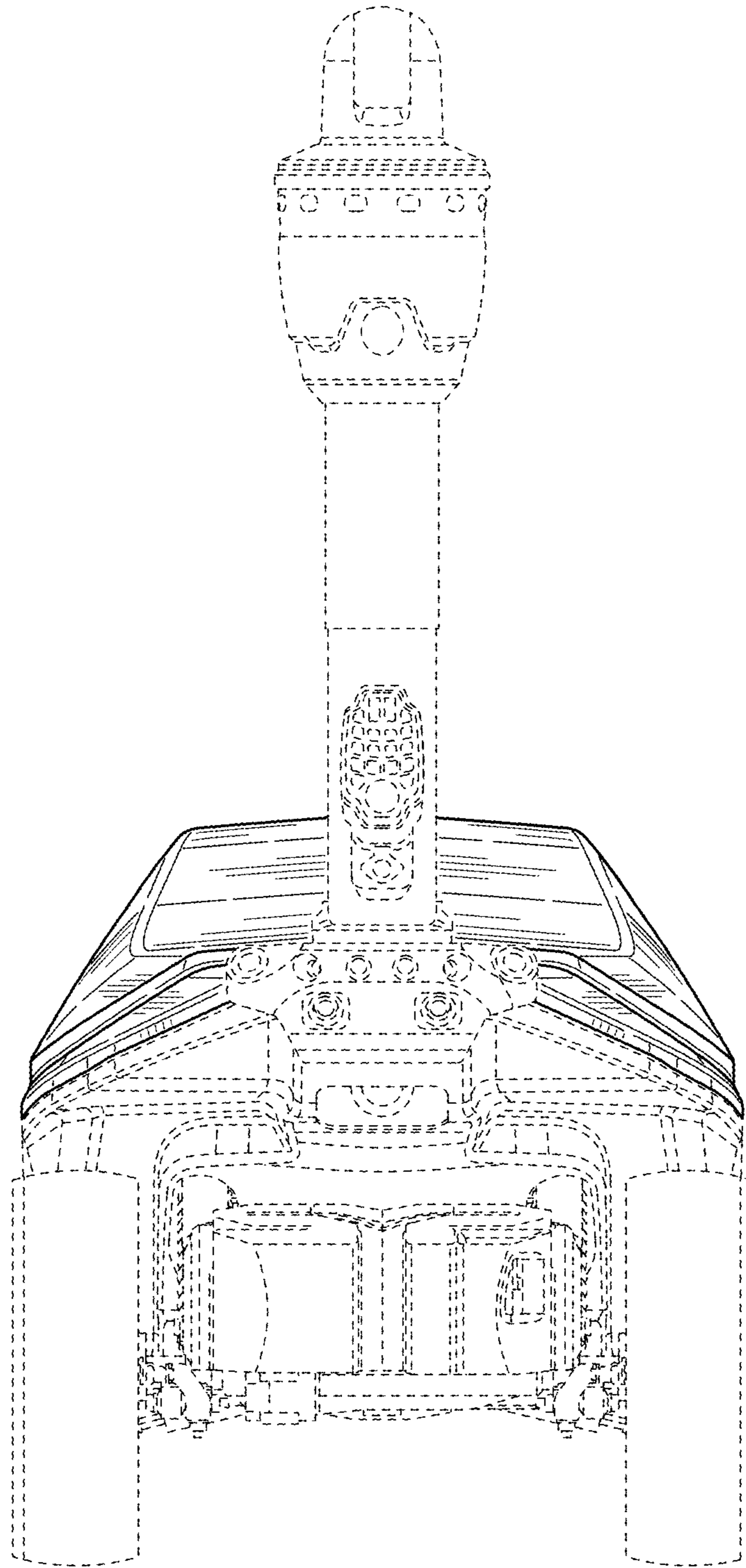


FIG. 3

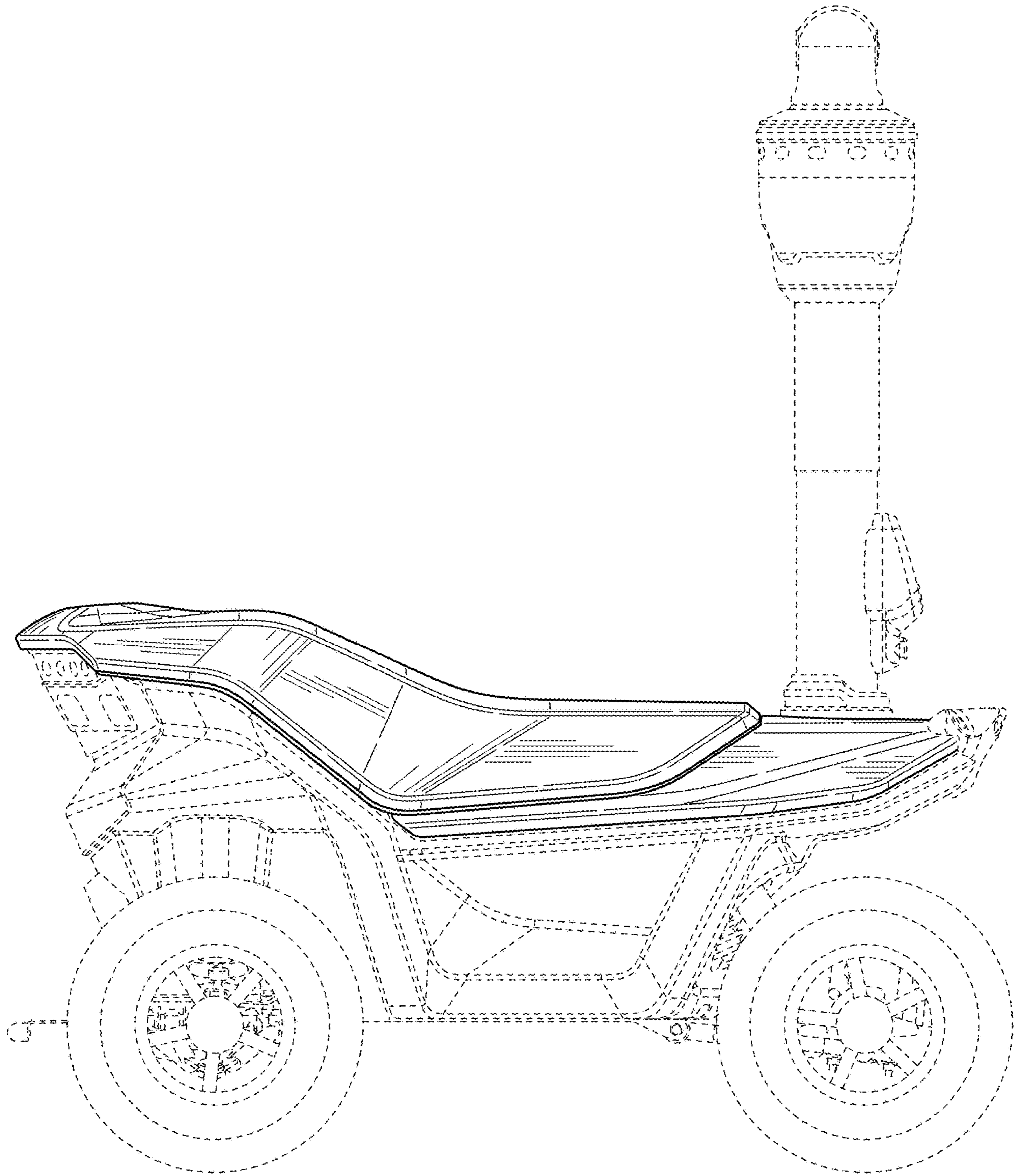


FIG. 4

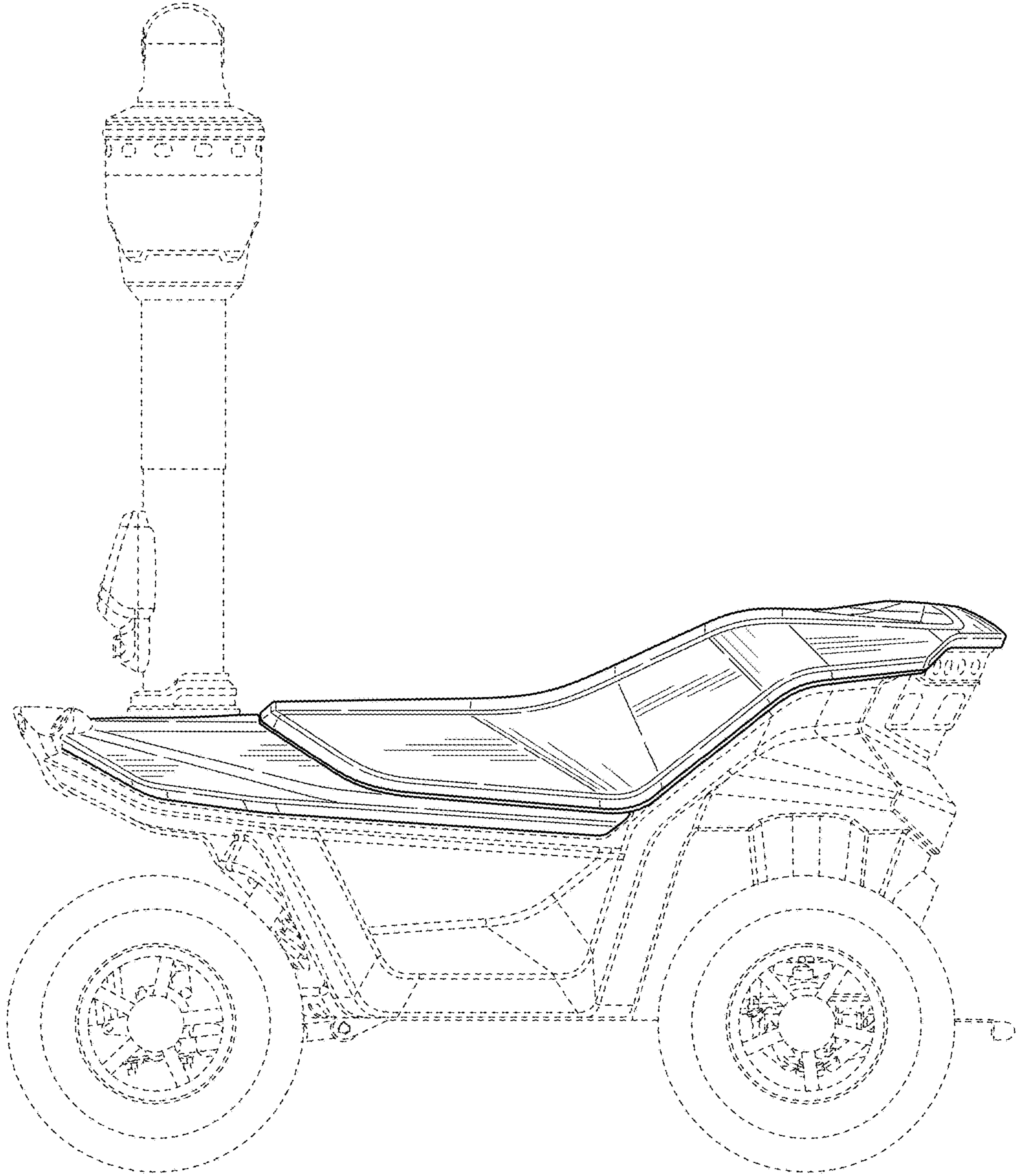


FIG. 5

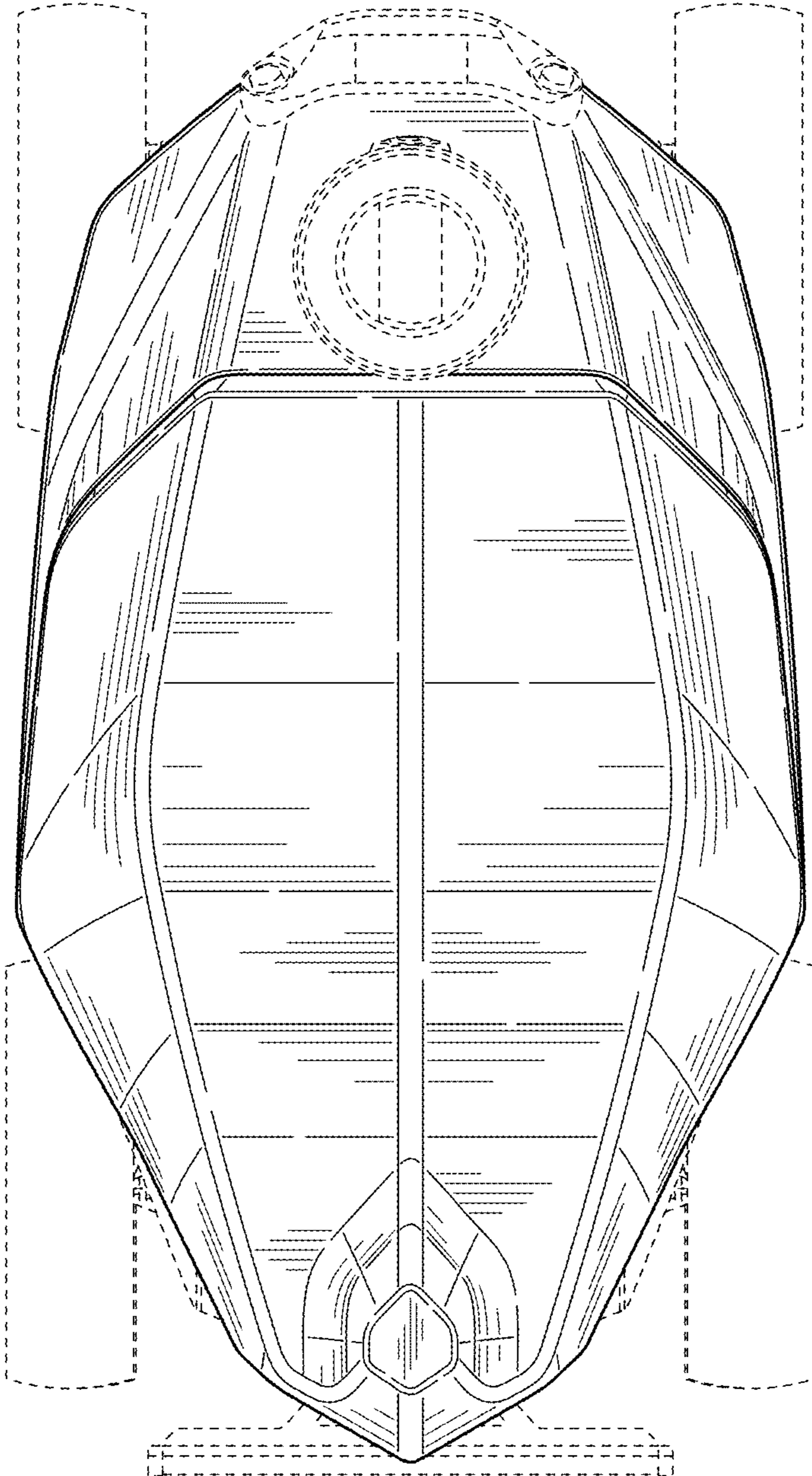


FIG. 6

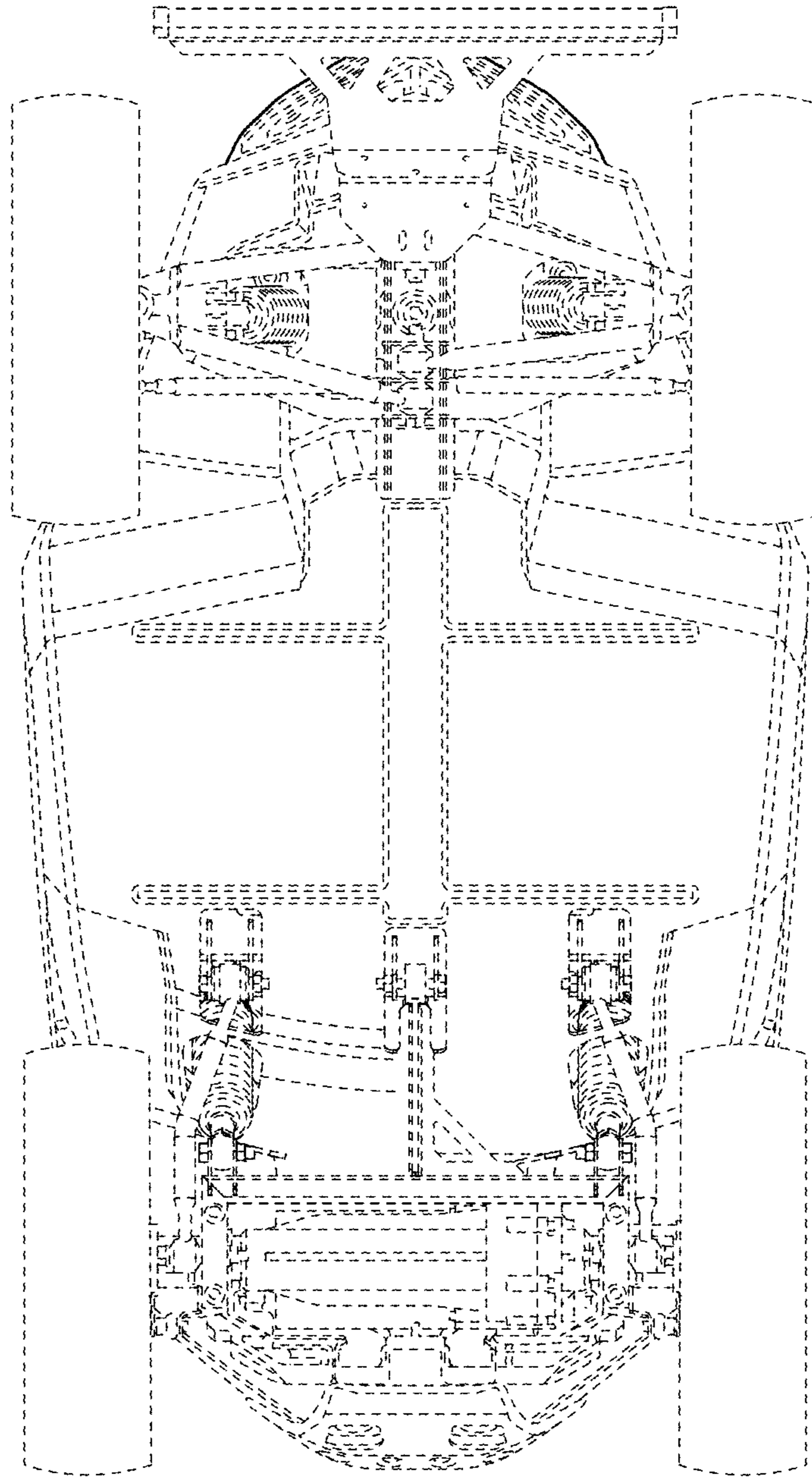


FIG. 7