



US00D914778S

(12) **United States Design Patent** (10) **Patent No.:** **US D914,778 S**
Singh et al. (45) **Date of Patent:** **** Mar. 30, 2021**

(54) **TABLET PRESS**
 (71) Applicant: **ACG Pam Pharma Technologies Pvt. Ltd., Maharashtra (IN)**
 (72) Inventors: **Karan Singh, Mumbai (IN); Siddhant Bhambhani, Mumbai (IN)**
 (73) Assignee: **ACG PAM PHARMA TECHNOLOGIES PVT. LTD**

(**) Term: **15 Years**
 (21) Appl. No.: **29/721,443**
 (22) Filed: **Jan. 21, 2020**

(30) **Foreign Application Priority Data**

Jul. 23, 2019 (IN) 319884-001
 (51) **LOC (13) Cl.** **15-09**
 (52) **U.S. Cl.**
 USPC **D15/145; D15/122**
 (58) **Field of Classification Search**
 USPC D15/122, 145, 146, 199
 CPC ... B30B 11/08; B30B 15/028; B30B 15/0023;
 B30B 15/0082
 See application file for complete search history.

(56) **References Cited**

U.S. PATENT DOCUMENTS

D256,376 S * 8/1980 MacKrell D20/4
 4,817,006 A * 3/1989 Lewis B30B 11/005
 264/40.5
 D559,871 S * 1/2008 Kittaka D15/122
 D567,263 S * 4/2008 Sugihara D15/122
 D620,508 S * 7/2010 Jacquet D15/122
 D622,746 S * 8/2010 Daniels D15/145
 D623,207 S * 9/2010 Gentry, Jr. D15/145

D623,208 S * 9/2010 Parrish D15/145
 D639,322 S * 6/2011 Daniels D15/145
 D662,953 S * 7/2012 Parrish D15/145
 D664,171 S * 7/2012 Gentry, Jr. D15/145
 D685,825 S * 7/2013 Hoelbl D15/122
 D694,298 S * 11/2013 Hoelbl D15/122
 D766,998 S * 9/2016 Kao D15/122
 D799,567 S * 10/2017 Cesar D15/122
 D872,778 S * 1/2020 Palmeter D15/122
 D892,181 S * 8/2020 Blutbacher D15/122
 2004/0067275 A1 * 4/2004 Trebbi B30B 15/028
 425/352
 2005/0280989 A1 * 12/2005 Hinzpeter B30B 11/08
 361/695
 2008/0029915 A1 * 2/2008 Waldron B30B 15/0082
 264/39
 2010/0074980 A1 * 3/2010 Sanderson B30B 11/34
 425/233
 2018/0178474 A1 * 6/2018 Vogelee B30B 15/0023
 2018/0345615 A1 * 12/2018 Choi B30B 15/026

* cited by examiner

Primary Examiner — Patricia A Palasik

(74) *Attorney, Agent, or Firm* — Belles Katz LLC

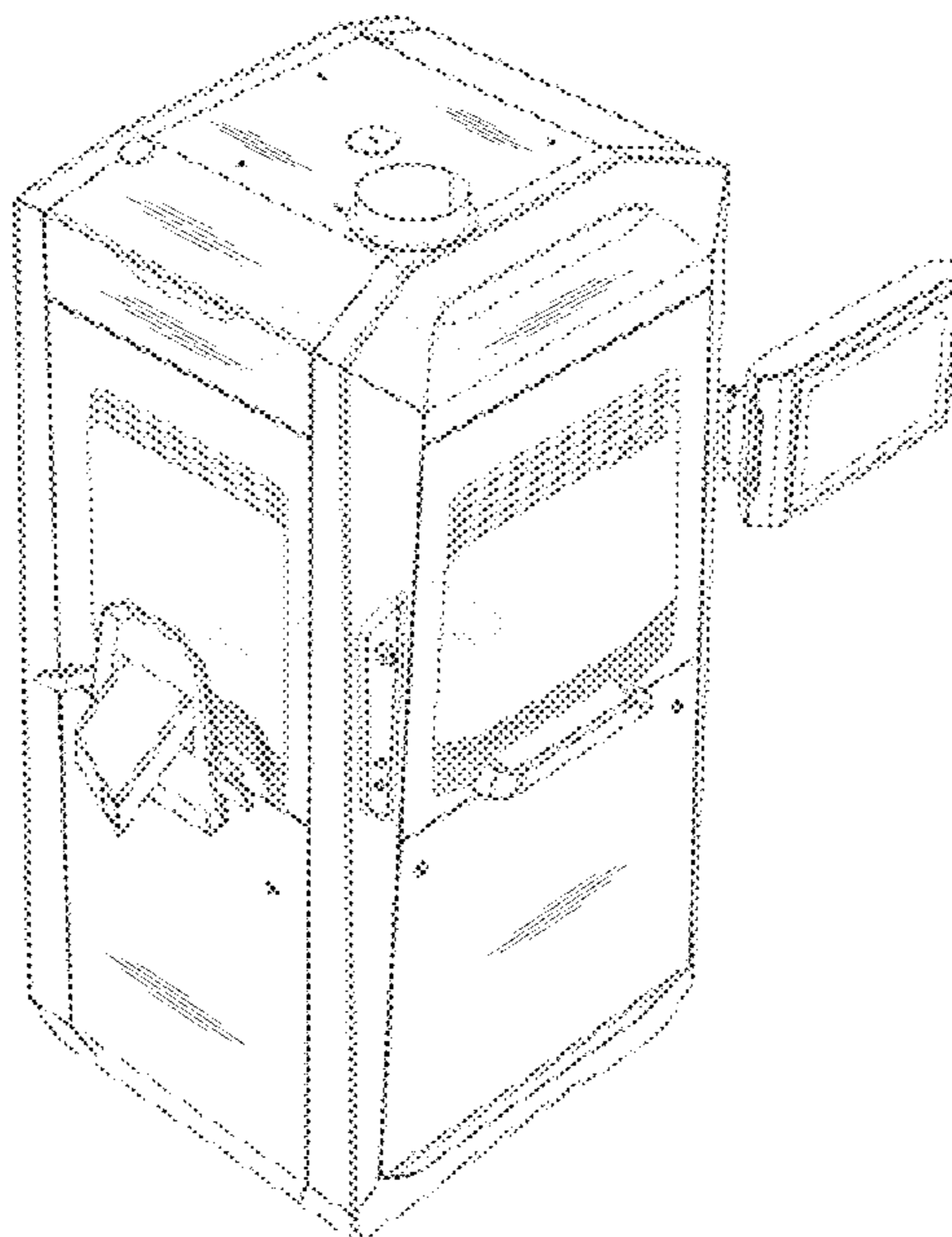
(57) **CLAIM**

The ornamental design for a tablet press, as shown and described.

DESCRIPTION

FIG. 1 is a left front perspective view of a tablet press according to a first embodiment of the new design; FIG. 2 is a right front perspective view thereof; FIG. 3 is front view thereof; FIG. 4 is a rear view thereof; FIG. 5 is a left side view thereof; FIG. 6 is a right side view thereof; FIG. 7 is a top view thereof; and, FIG. 8 is bottom view thereof.

1 Claim, 8 Drawing Sheets



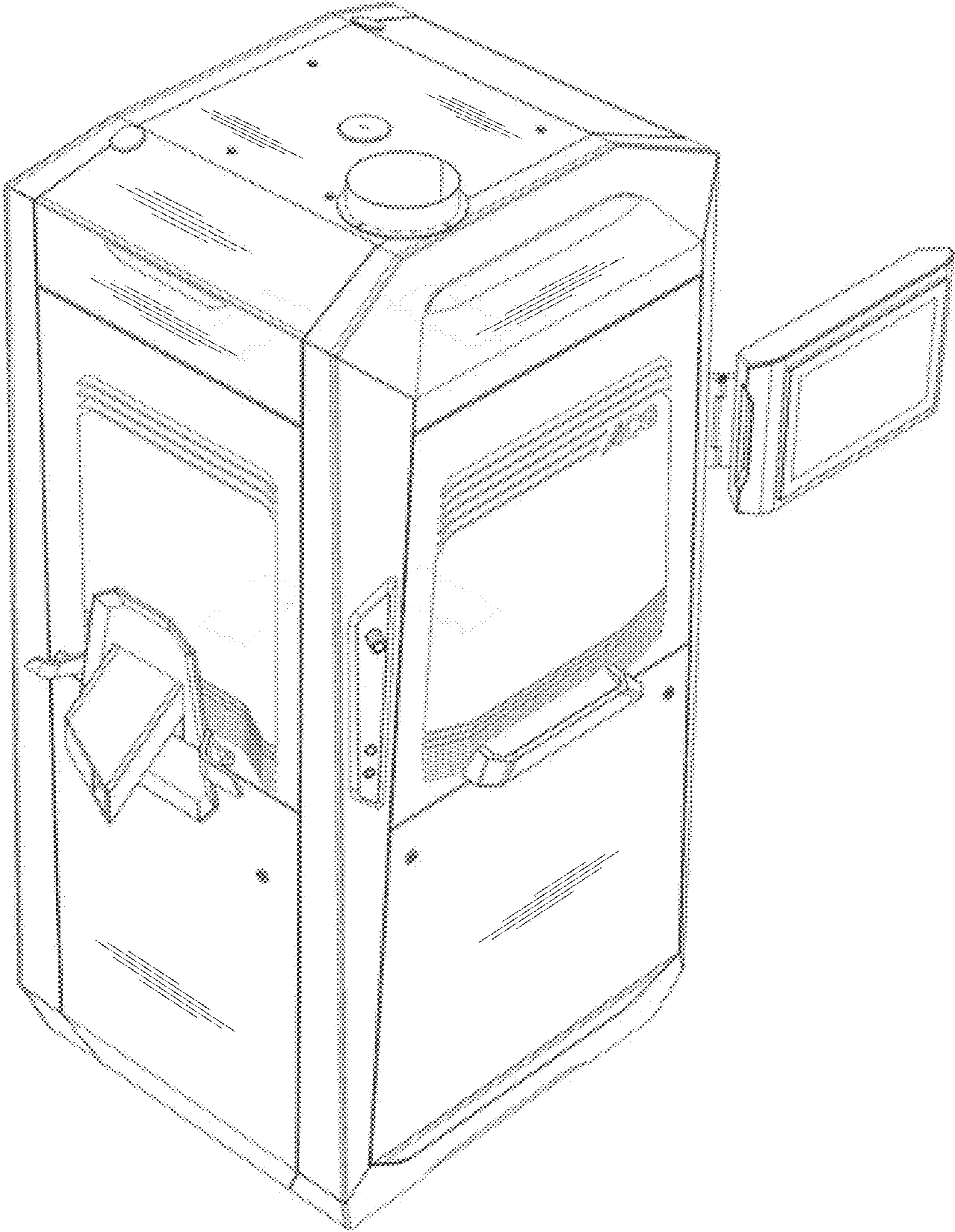


FIG. 1

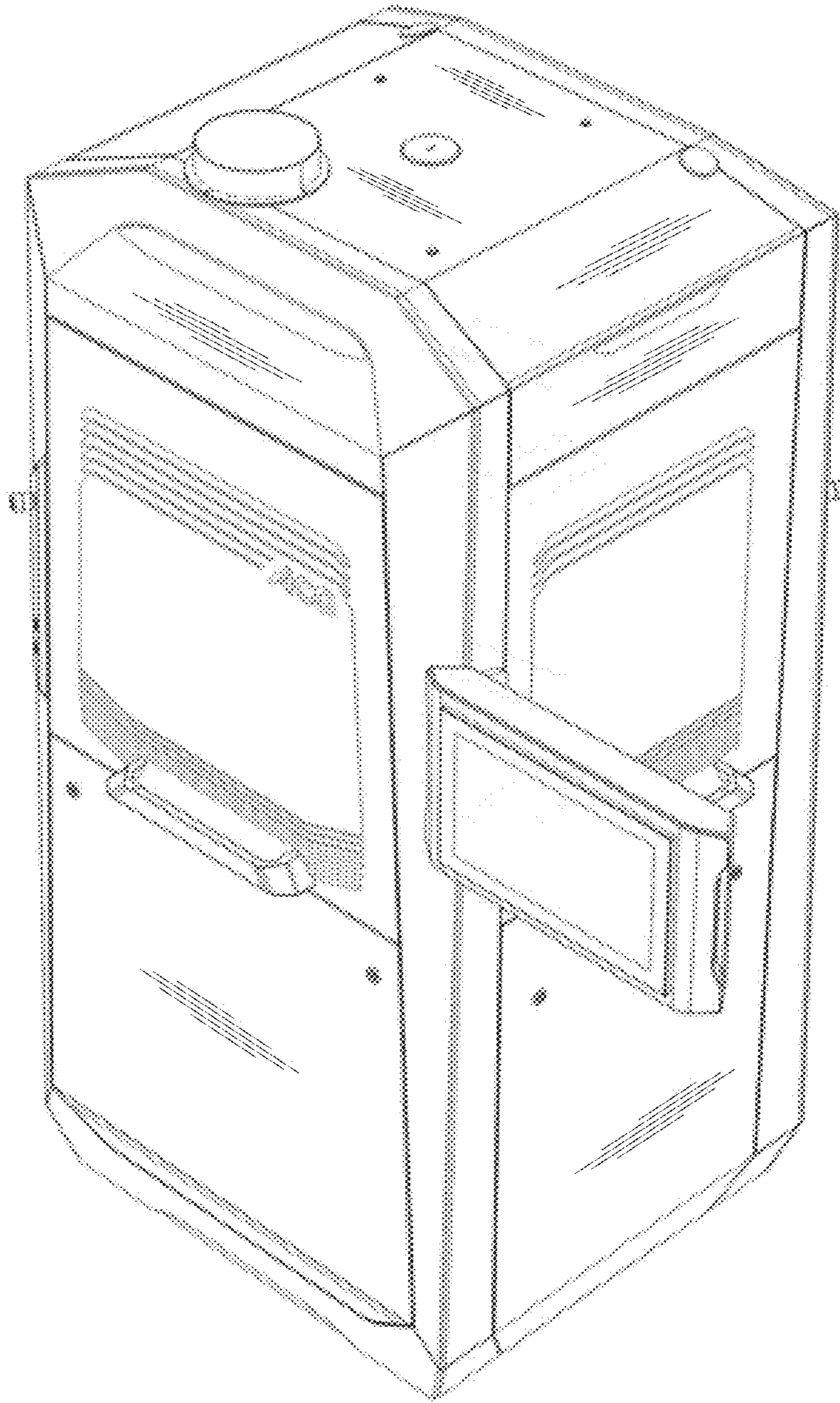


FIG. 2

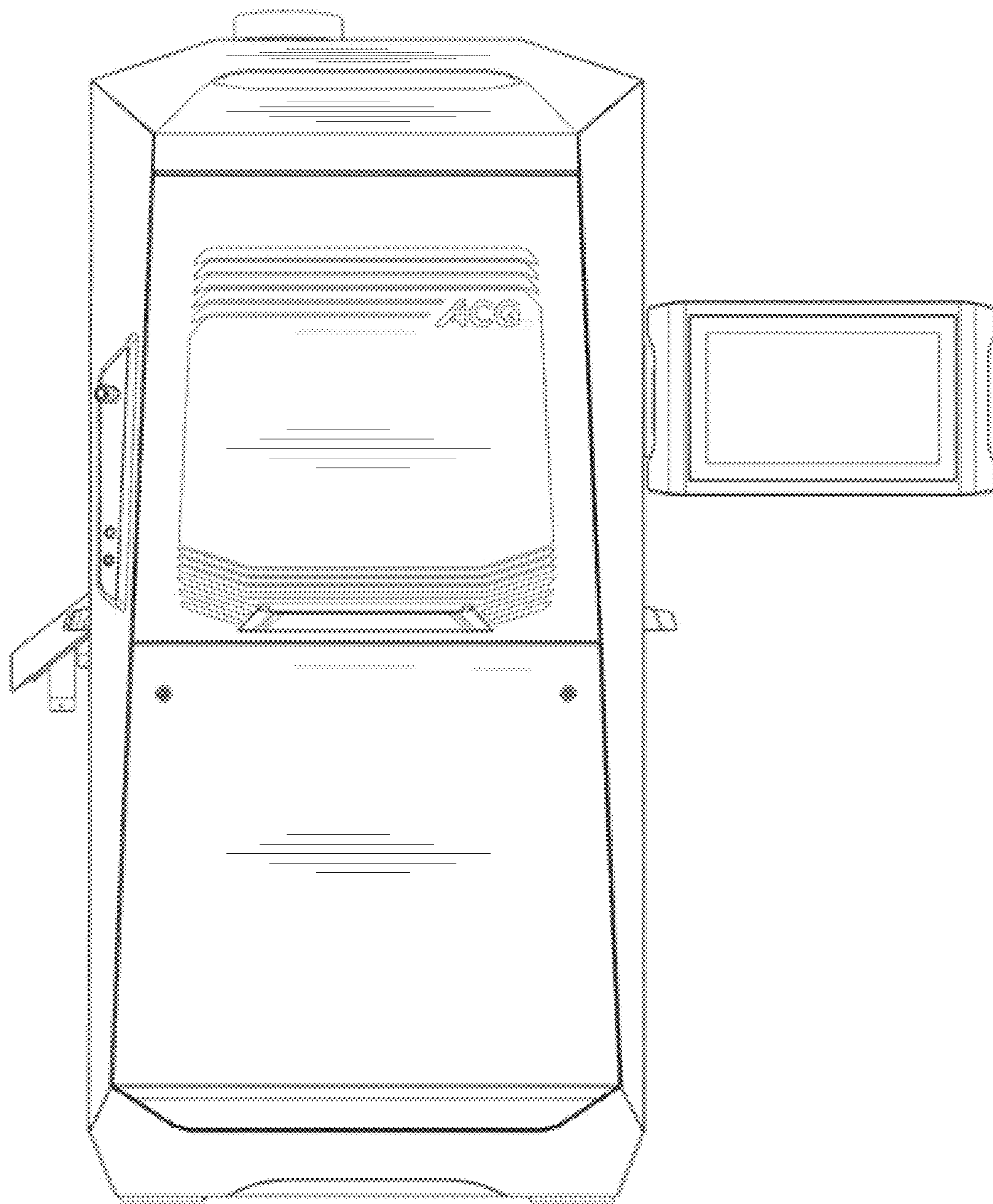


FIG. 3

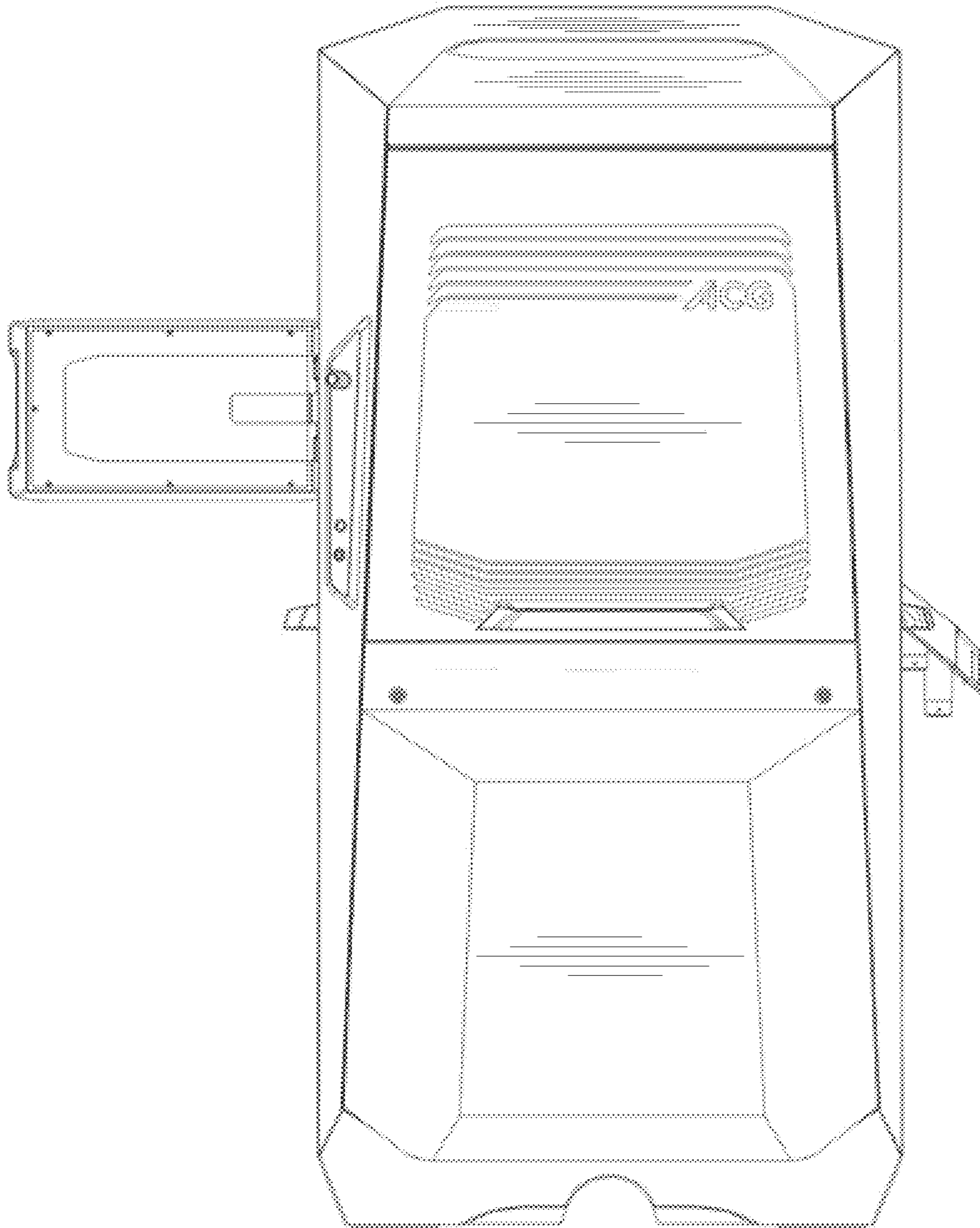


FIG. 4

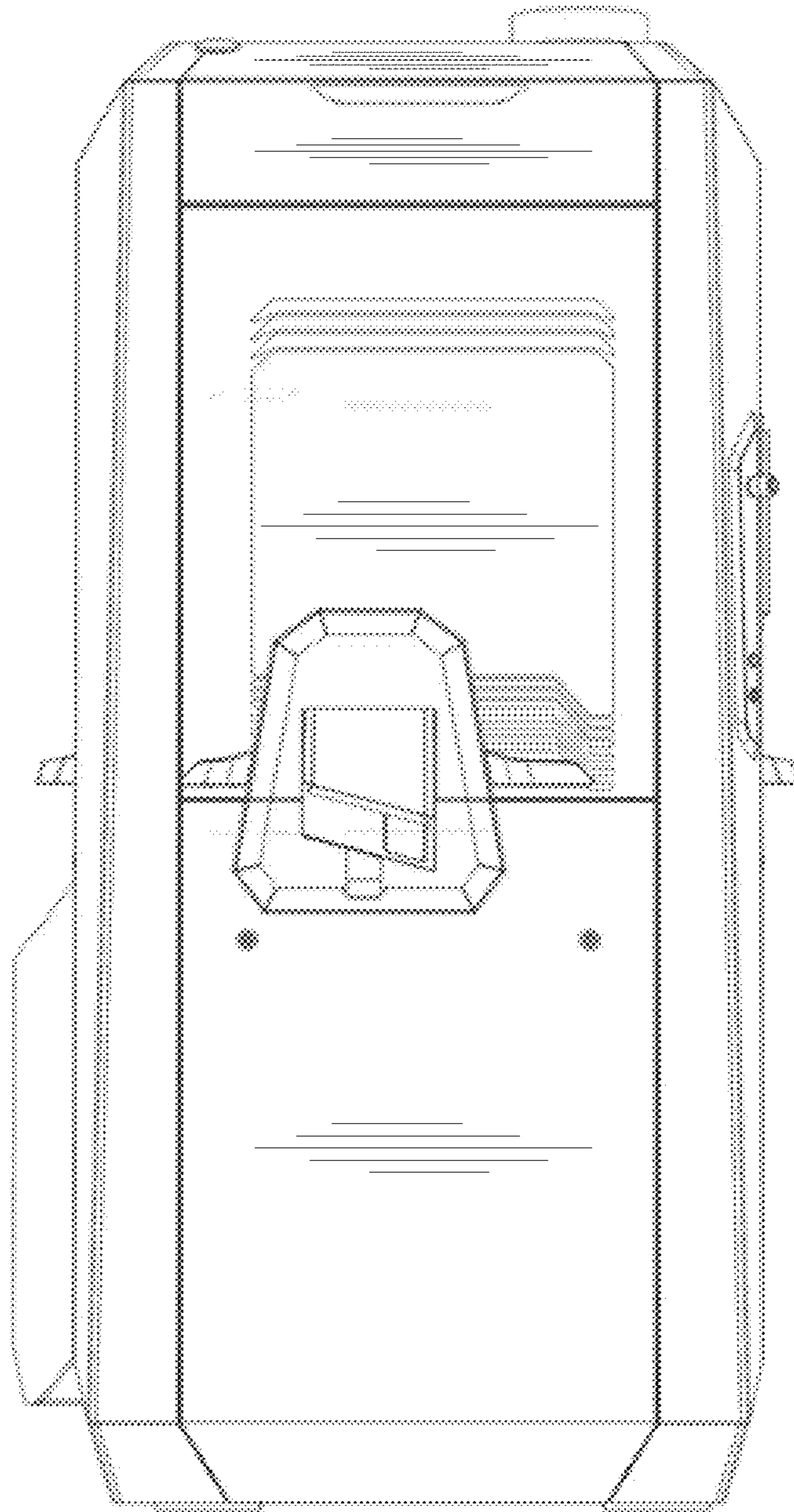


FIG. 5

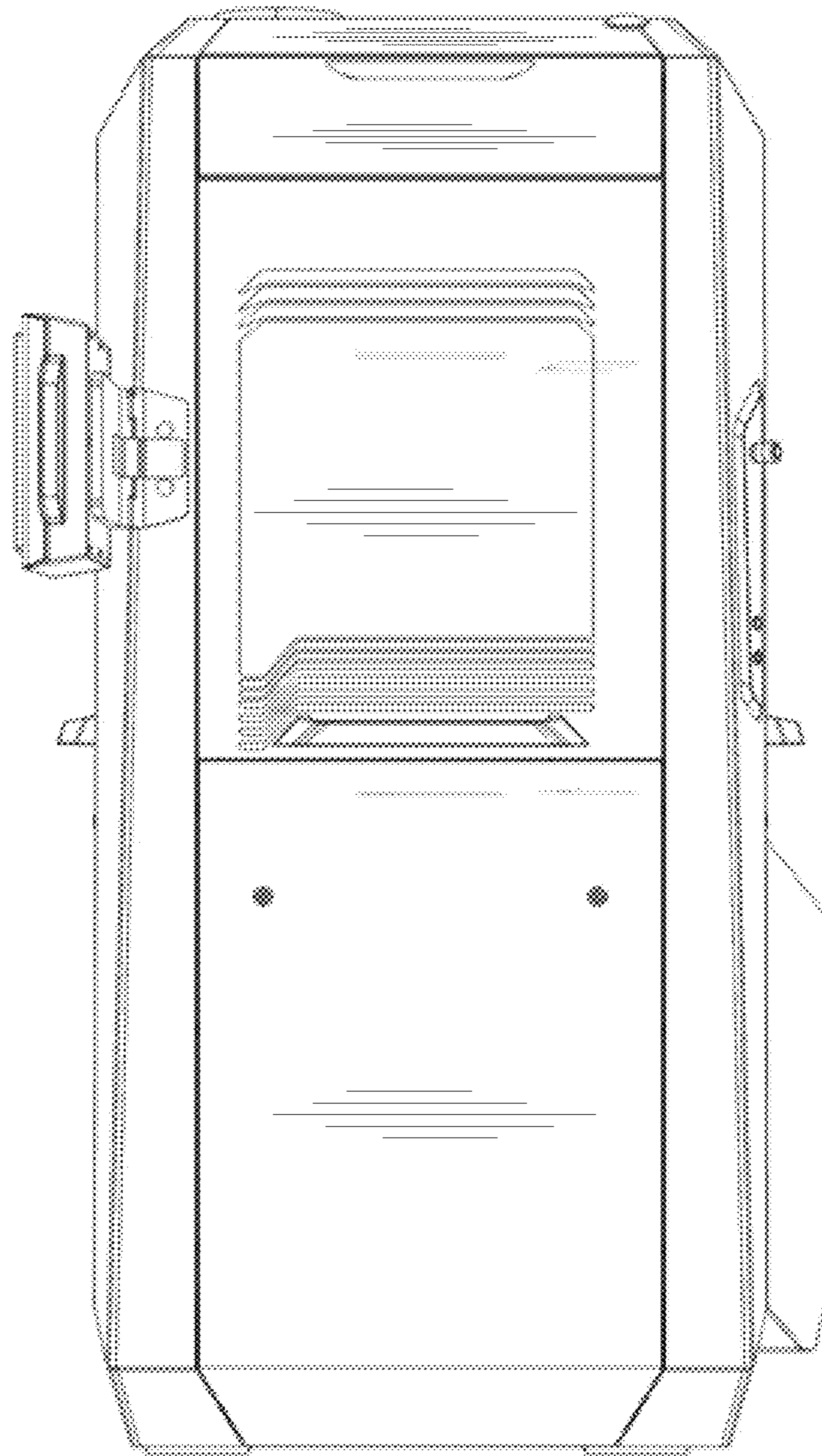


FIG. 6

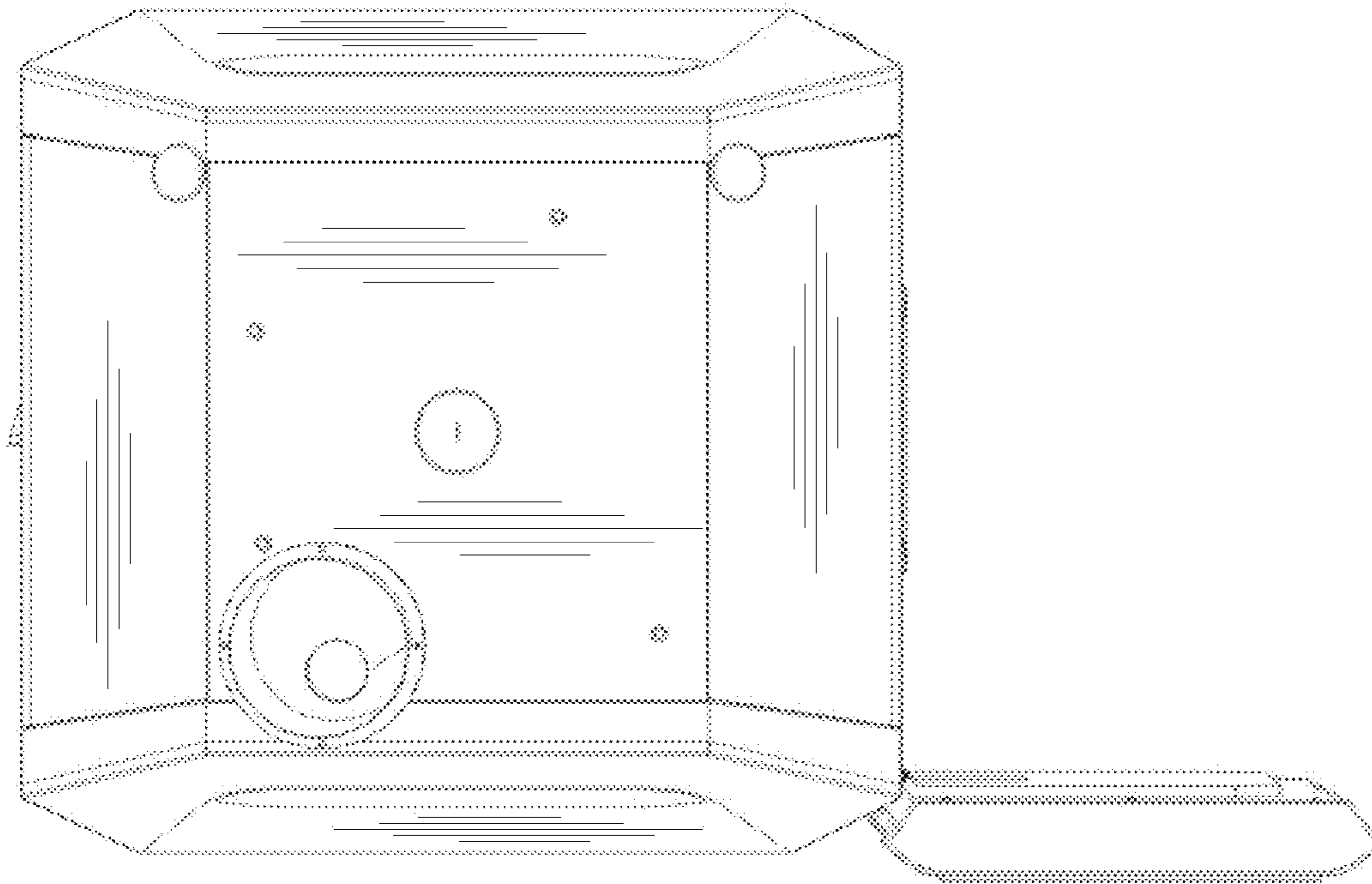


FIG. 7

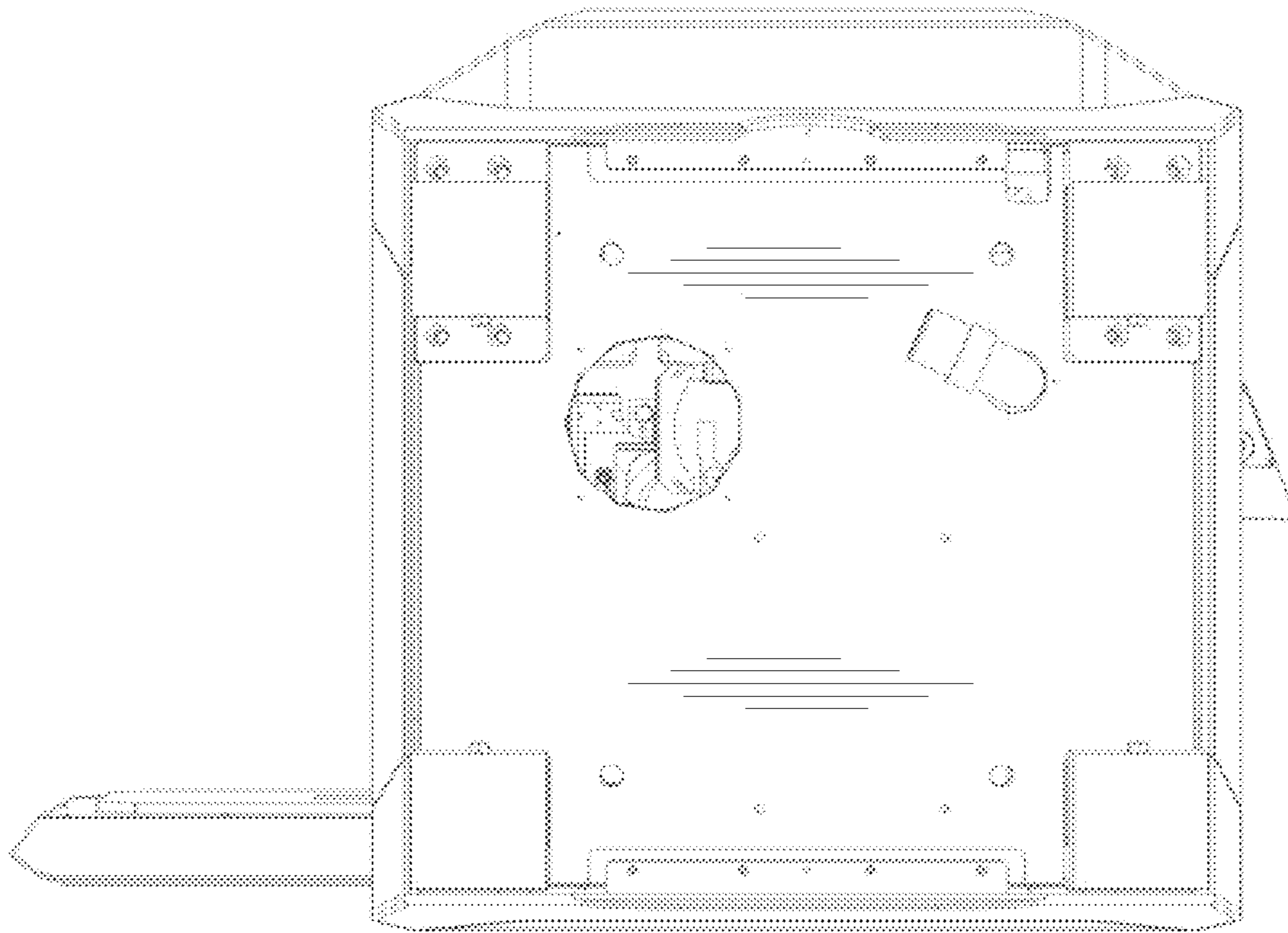


FIG. 8