



US00D914777S

(12) **United States Design Patent** (10) **Patent No.:** **US D914,777 S**  
**Davison et al.** (45) **Date of Patent:** **\*\* Mar. 30, 2021**

(54) **WEAR RESISTANT CENTRIFUGE TILE** 3,812,564 A 5/1974 Shapiro  
3,977,515 A \* 8/1976 Lewoczko ..... B04B 1/2008  
(71) Applicant: **Kennametal Inc.**, Latrobe, PA (US) 198/677  
D254,257 S \* 2/1980 Ackers ..... D15/123  
(72) Inventors: **Robert J. Davison**, Pittsburgh, PA 4,328,925 A 5/1982 Shapiro  
(US); **Nathan G. Wood**, Victoria (CA); 4,519,496 A 5/1985 Ludvigsen  
**Travis E. Puz**, Fayetteville, AR (US) 4,846,728 A 7/1989 Roman  
4,961,722 A 10/1990 Taylor  
(73) Assignee: **KENNAMETAL INC.**, Latrobe, PA (US) (Continued)

FOREIGN PATENT DOCUMENTS

(\*\*) Term: **15 Years** DE 3140364 A1 4/1983  
DE 19951663 A1 4/2000  
(21) Appl. No.: **29/676,058** (Continued)

OTHER PUBLICATIONS

(22) Filed: **Jan. 8, 2019**  
**Related U.S. Application Data**  
Apr. 3, 2020 Foreign OA P18-06346-DE-NP.  
(63) Continuation of application No. 16/030,155, filed on Jul. 9, 2018. (Continued)

(51) **LOC (13) Cl.** ..... **15-09**  
(52) **U.S. Cl.**  
USPC ..... **D15/144**  
(58) **Field of Classification Search**  
USPC ..... D15/123, 126, 144, 144.1, 144.2  
CPC ..... B04B 1/2008; B04B 7/12; B07C 5/342;  
B07C 5/3425  
See application file for complete search history.

*Primary Examiner* — Patricia A Palasik  
(74) *Attorney, Agent, or Firm* — Christopher J. Owens

(57) **CLAIM**

The ornamental design for a wear resistant centrifuge tile, as shown and described.

**DESCRIPTION**

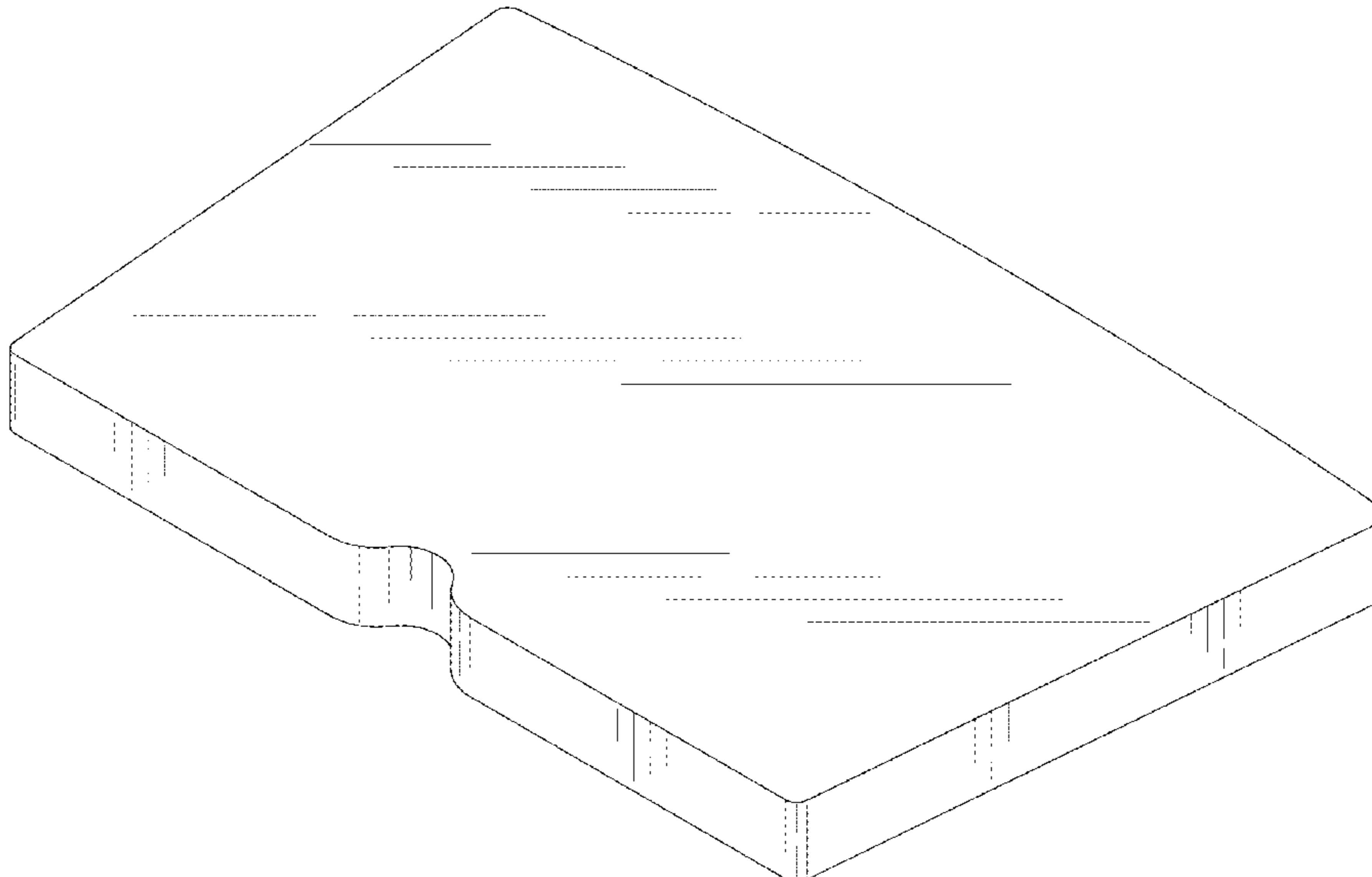
FIG. 1 is a top-front isometric view of a wear resistant centrifuge tile showing the new design;  
FIG. 2 is a top-rear isometric view thereof;  
FIG. 3 is a bottom-front isometric view thereof;  
FIG. 4 is a bottom-rear isometric view thereof;  
FIG. 5 is a front view thereof;  
FIG. 6 is a rear view thereof;  
FIG. 7 is a left side view thereof;  
FIG. 8 is a right side view thereof;  
FIG. 9 is a top view thereof; and,  
FIG. 10 is a bottom view thereof.

**1 Claim, 8 Drawing Sheets**

(56) **References Cited**

U.S. PATENT DOCUMENTS

D34,545 S \* 5/1901 Copenhaver ..... D15/126  
3,469,824 A 9/1969 Fuffy  
3,485,341 A \* 12/1969 Lutz ..... E01C 19/48  
198/664  
3,674,217 A \* 7/1972 Reinhall ..... D21D 1/30  
241/21  
3,762,537 A \* 10/1973 Lutz ..... E01C 19/48  
198/664  
3,764,062 A \* 10/1973 Brautigam ..... B04B 1/2008  
494/54



(56)

References Cited

U.S. PATENT DOCUMENTS

D342,745 S \* 12/1993 Nastren ..... D15/126  
 5,845,764 A \* 12/1998 Ommundsen ..... B04B 1/2008  
 198/677  
 6,182,817 B1 \* 2/2001 Rinker ..... B21C 37/26  
 198/671  
 6,206,818 B1 \* 3/2001 Deschamps ..... B04B 1/2008  
 210/374  
 6,230,960 B1 \* 5/2001 Deschamps ..... B04B 1/2008  
 228/175  
 7,003,928 B2 \* 2/2006 Patterson ..... B65B 31/06  
 53/405  
 7,247,133 B2 7/2007 Gronnegaard et al.  
 D636,646 S \* 4/2011 Muccino ..... D8/20  
 D690,233 S \* 9/2013 Manchik ..... D12/106  
 8,672,243 B2 3/2014 Turcic et al.  
 D745,574 S \* 12/2015 Losen ..... D15/32  
 D782,260 S \* 3/2017 Chiu ..... D8/20  
 9,694,434 B2 7/2017 Sjodin et al.  
 2006/0166803 A1 \* 7/2006 Schulz ..... B04B 7/12  
 494/56  
 2010/0016140 A1 \* 1/2010 Dietschreit ..... B04B 1/2008  
 494/42  
 2011/0281716 A1 \* 11/2011 Hurd ..... C22C 29/08  
 494/54  
 2012/0004088 A1 1/2012 Kopper  
 2013/0167740 A1 \* 7/2013 Doppstadt ..... B30B 11/246  
 100/145  
 2014/0038806 A1 2/2014 Lenzian et al.  
 2014/0284253 A1 \* 9/2014 Troyer ..... B07C 5/342  
 209/552

2016/0107172 A1\* 4/2016 Lamy ..... B04B 1/04  
 494/67  
 2016/0199931 A1 7/2016 Sjodin et al.  
 2020/0009582 A1\* 1/2020 Davison ..... B04B 7/12

FOREIGN PATENT DOCUMENTS

DE 102006058431 A1 6/2008  
 DE 102007046193 A1 4/2009  
 JP S58119362 A 7/1983  
 JP H03127643 A 5/1991  
 JP H0663447 A 3/1994  
 JP H0663448 A 3/1994  
 JP H07171439 A 7/1995  
 JP H07289942 A 11/1995  
 JP 2001190985 A 10/2002  
 JP 2012000551 A 1/2012  
 KR 100883924 B1 2/2009  
 KR 20120118635 A 10/2012  
 KR 20140050160 A 4/2014

OTHER PUBLICATIONS

Mar. 20, 2020 Notice of Allowance P18-06346-AT-NP.  
 Jun. 16, 2020 NonFinal OA P18-06346-US-NP.pdf.  
 Mar. 7, 2019 Foreign OA P18-06346-SE-RD—External Brazed  
 Cent.  
 Oct. 15, 2019 Foreign OA P18-06346-FR-NP.  
 May 23, 2019 Foreign OA P18-06346-DE-RD.  
 Apr. 2, 2019 Notice of Allowance P18-06346-CN-RD.  
 Feb. 19, 2020 Non-Final OA P18-06346-US-NP.  
 Feb. 11, 2020 Foreign OA P18-06346-SE-NP.  
 Dec. 18, 2019 Foreign OA P18-06346-AT-NP.

\* cited by examiner

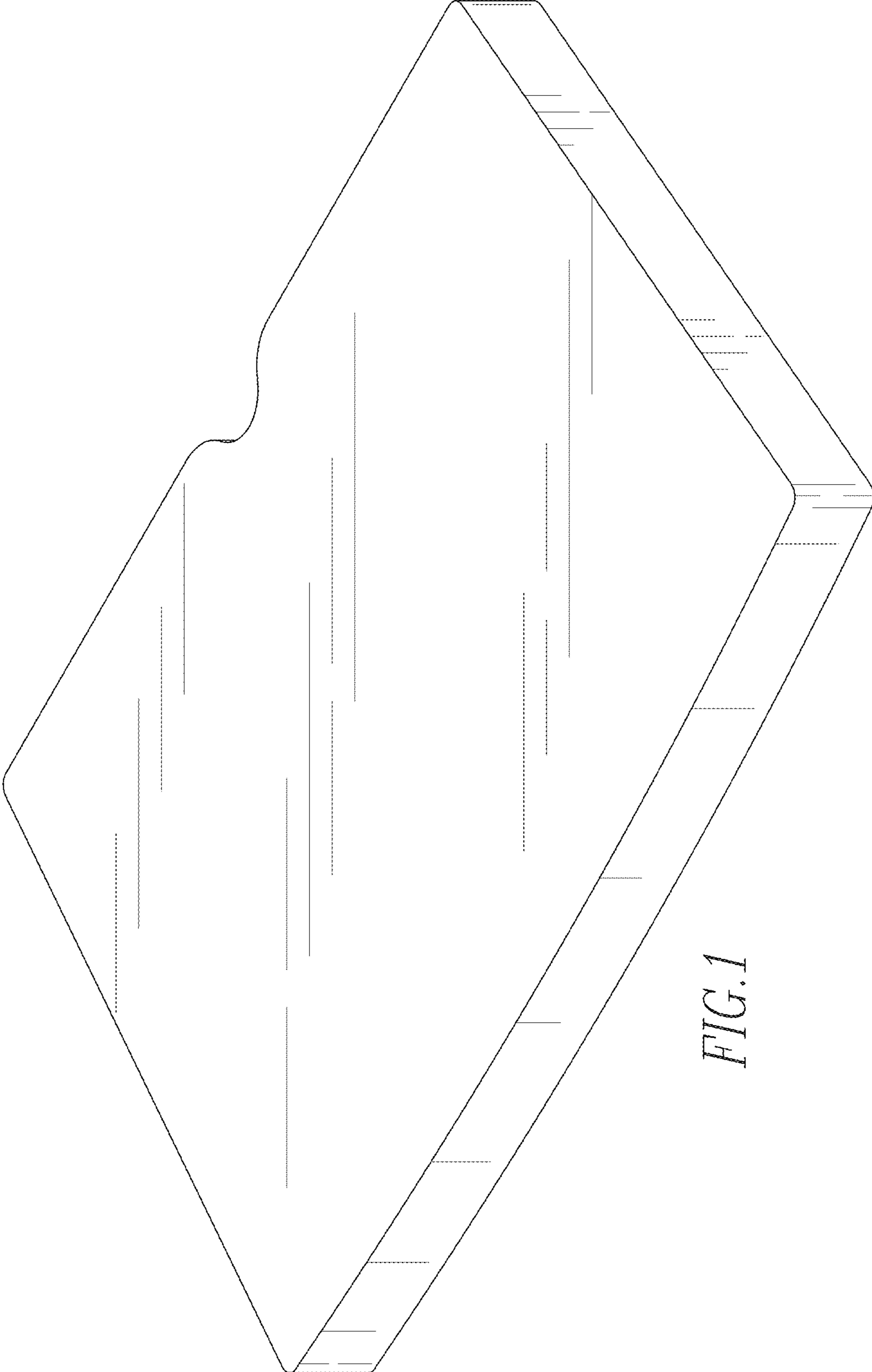


FIG. 1

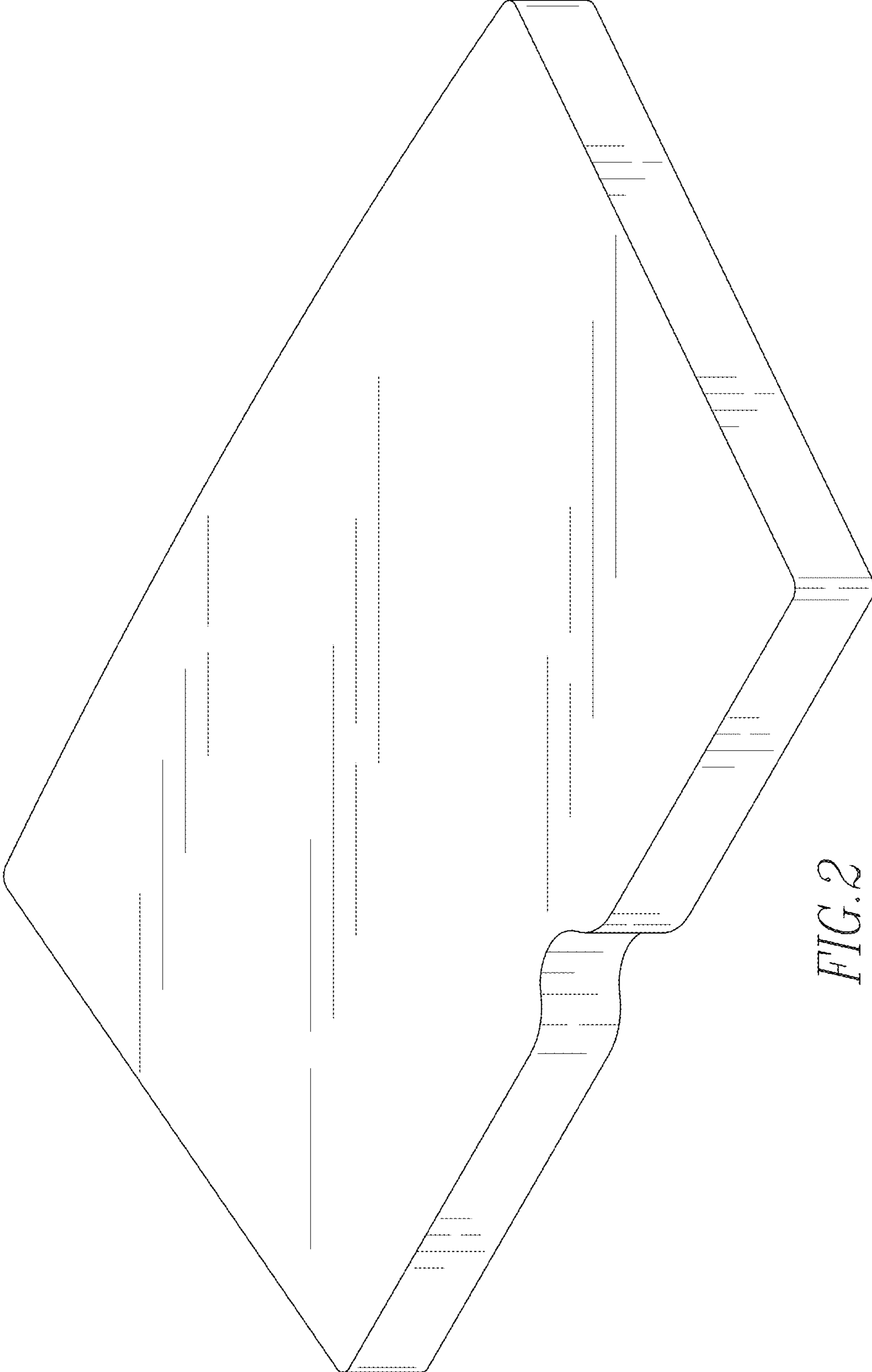


FIG. 2

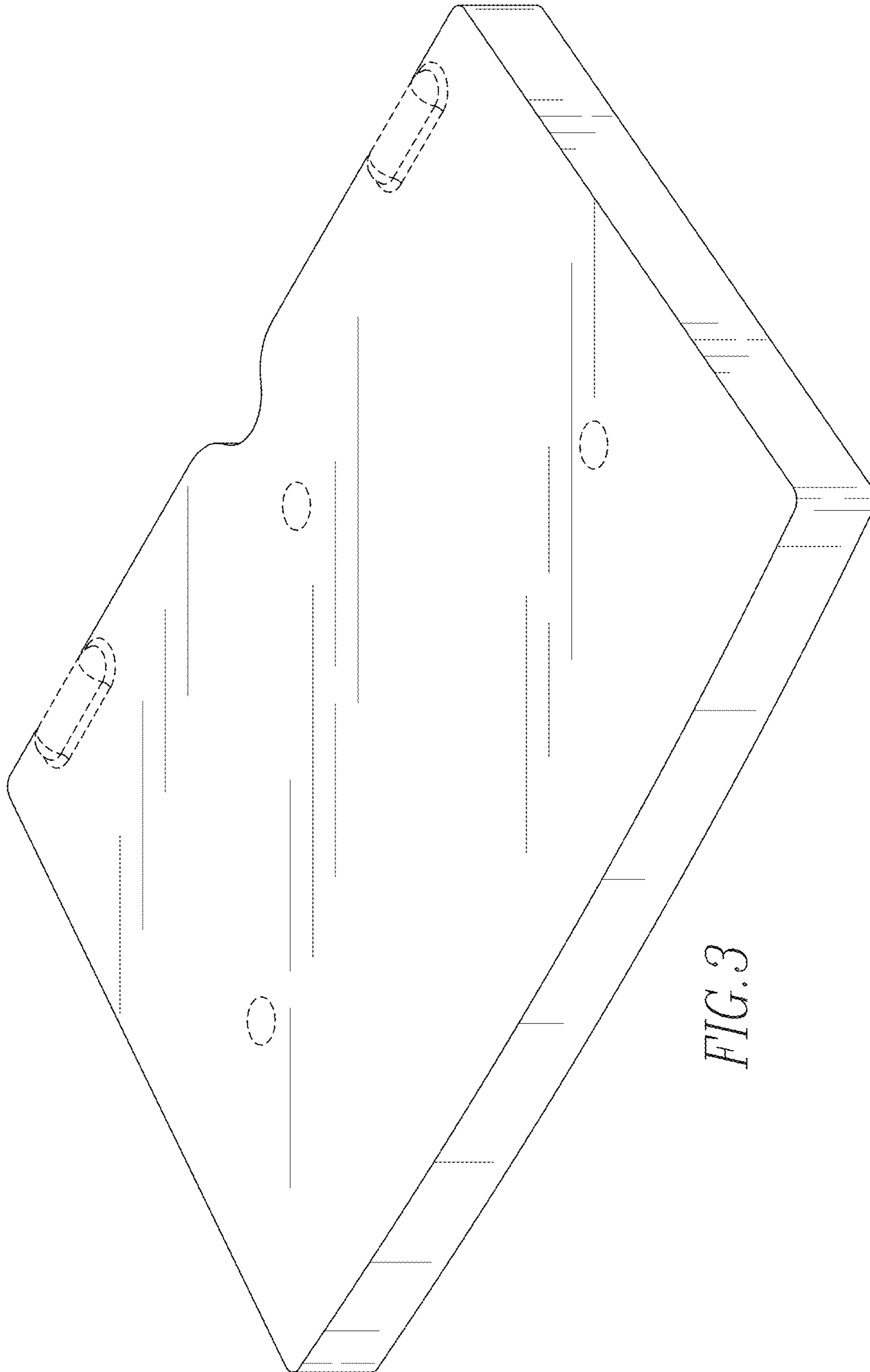


FIG. 3

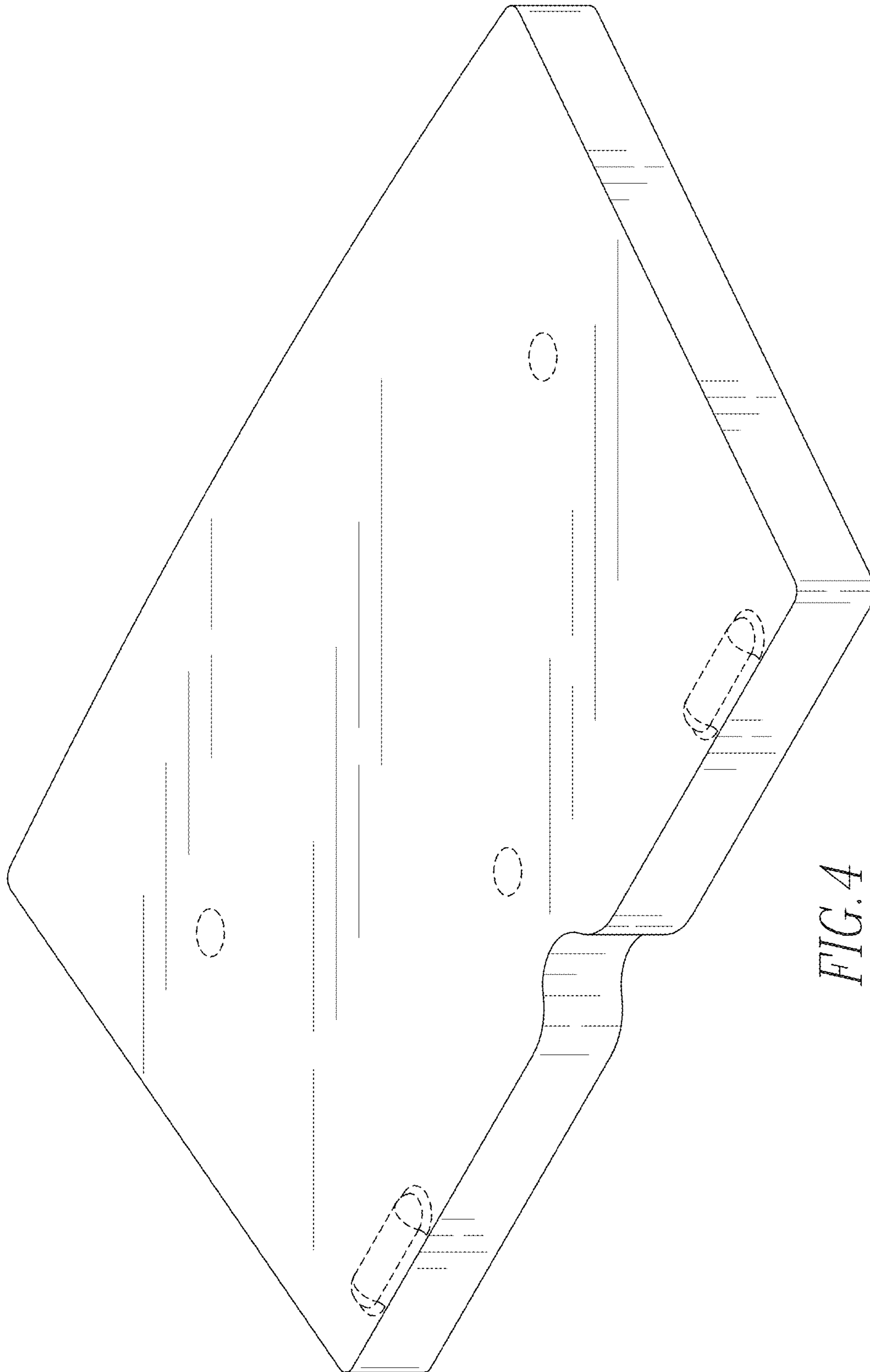


FIG. 4

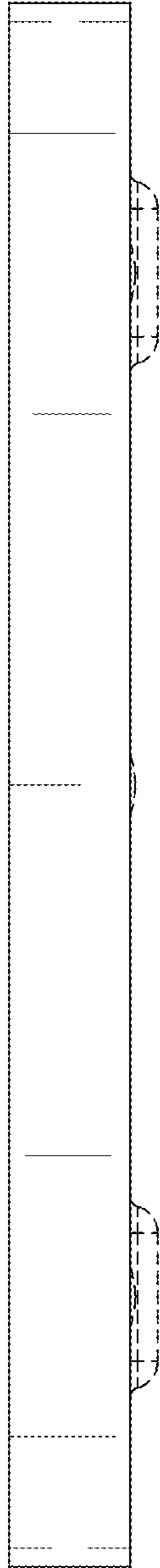


FIG. 5

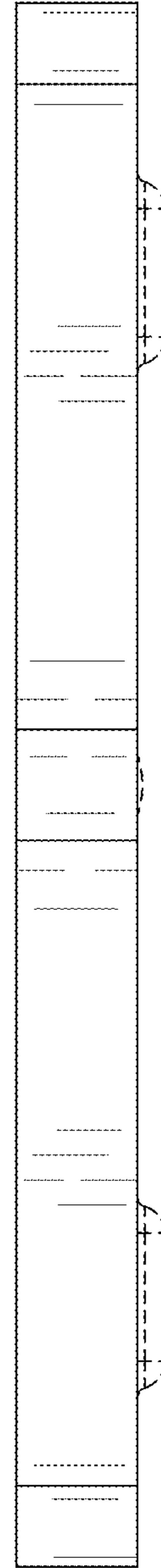
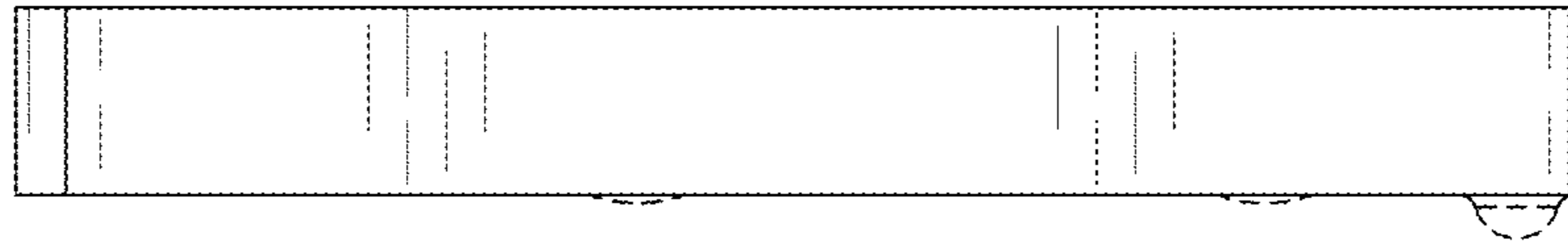


FIG. 6



*FIG. 7*



*FIG. 8*



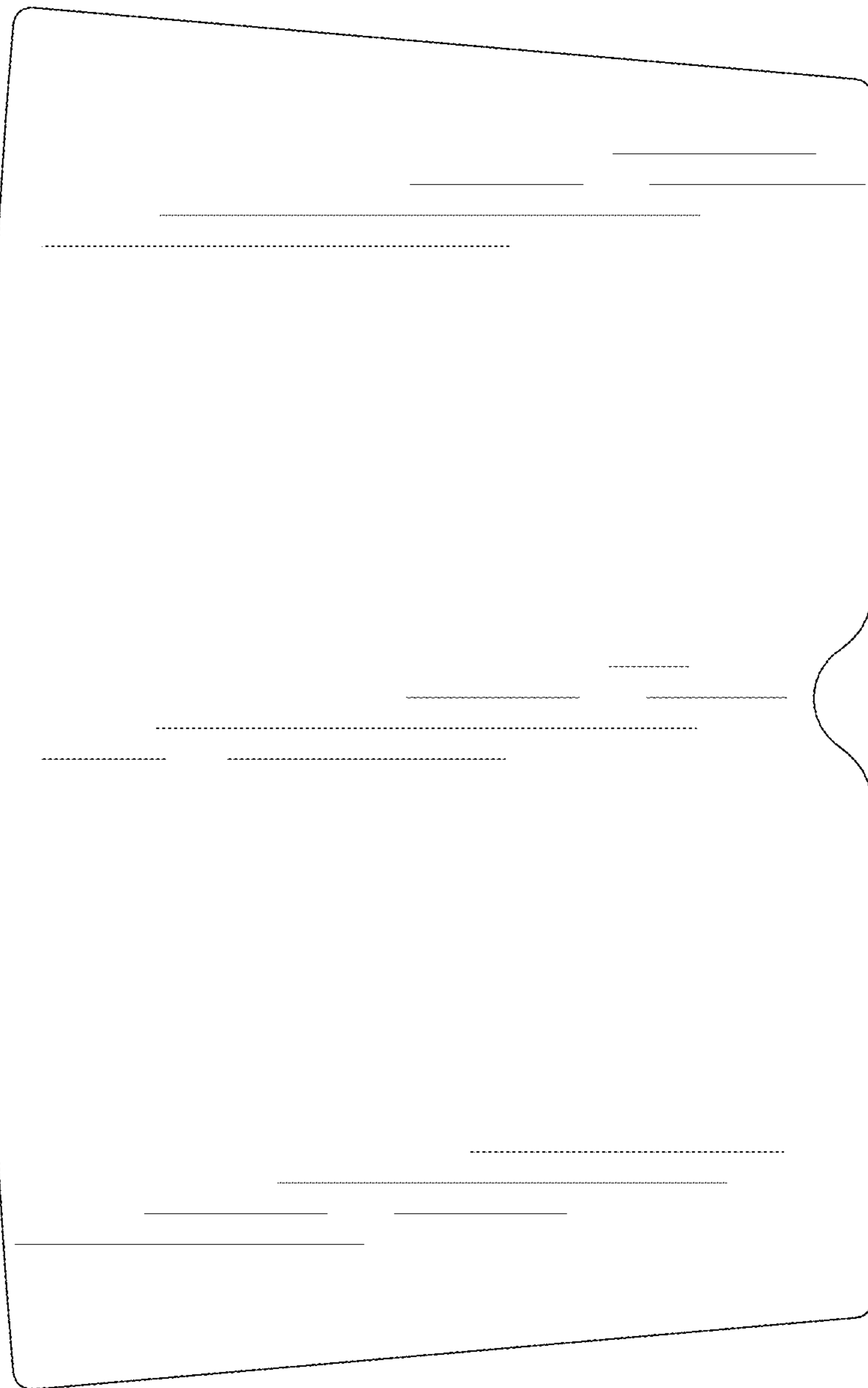


FIG. 9

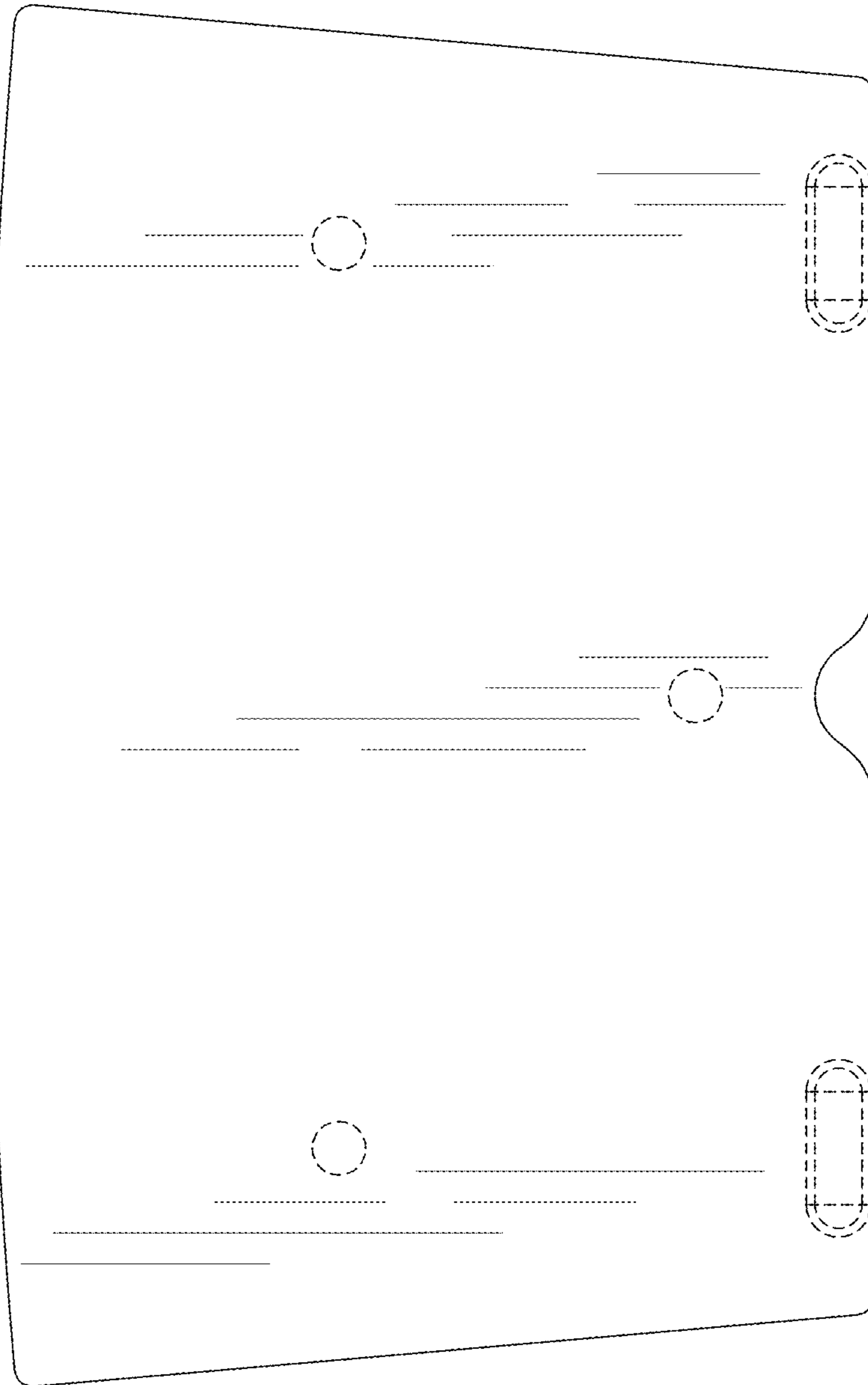


FIG. 10