



US00D914776S

(12) **United States Design Patent**  
**Koch et al.**

(10) **Patent No.:** **US D914,776 S**  
(45) **Date of Patent:** **\*\* Mar. 30, 2021**

- (54) **BAND SAW DEVICE**
- (71) Applicant: **BioCut, LLC**, Milwaukee, WI (US)
- (72) Inventors: **Jared Koch**, Milwaukee, WI (US);  
**Logan Eggert**, Milwaukee, WI (US)
- (73) Assignee: **BioCut, LLC**, Milwaukee, WI (US)
- (\*\*) Term: **15 Years**
- (21) Appl. No.: **29/710,535**
- (22) Filed: **Oct. 24, 2019**
- (51) **LOC (13) Cl.** ..... **15-09**
- (52) **U.S. Cl.**  
USPC ..... **D15/134**
- (58) **Field of Classification Search**  
USPC ..... D8/64, 70, 71; D15/122, 133, 134, 138  
CPC .... B23D 53/045; B23D 55/06; B23D 55/082;  
B23D 55/088; Y10T 83/7114  
See application file for complete search history.

- D564,546 S \* 3/2008 Leasure ..... B23D 55/04  
D15/134
- D765,156 S \* 8/2016 Matsumoto ..... B23D 55/082  
D15/138
- 2002/0023527 A1\* 2/2002 Wood ..... B23D 55/086  
83/821
- 2002/0088329 A1\* 7/2002 Helshoj ..... B23D 55/082  
83/820
- 2004/0007109 A1\* 1/2004 Chiang ..... B23Q 11/02  
83/98
- 2004/0154454 A1\* 8/2004 Lee ..... B23D 55/06  
83/788
- 2004/0211308 A1\* 10/2004 Snodgrass, Jr. .... B26D 1/48  
83/816
- 2005/0255947 A1\* 11/2005 Liao ..... B23D 55/06  
474/18

(Continued)

**OTHER PUBLICATIONS**

LinkedIn, John Reimer Post, accessed Oct. 28, 2019, <https://www.linkedin.com/in/biocutsystems/detail/recent-activity/shares/>.

(Continued)

*Primary Examiner* — Patricia A Palasik

(56) **References Cited**

**U.S. PATENT DOCUMENTS**

- 2,625,964 A \* 1/1953 Green ..... B23D 53/12  
30/380
- 3,116,768 A \* 1/1964 Lasar ..... B23D 55/084  
83/823
- D250,197 S \* 11/1978 Roberts ..... D15/140
- D261,519 S \* 10/1981 Irelan ..... D15/134
- D286,537 S \* 11/1986 Yamamoto ..... D15/134
- D288,933 S \* 3/1987 Nishimura ..... D15/134
- D316,507 S \* 4/1991 Fushiya ..... D8/64
- D336,653 S \* 6/1993 Baird ..... D15/134
- D345,171 S \* 3/1994 Watanabe ..... D15/134
- D434,049 S \* 11/2000 Brazell ..... D15/134
- 6,272,964 B1 \* 8/2001 Heilshov ..... B23D 55/082  
83/821
- D520,032 S \* 5/2006 Nortmann ..... B23D 55/026  
D15/133
- D522,828 S \* 6/2006 Brazell ..... B23D 53/06  
D8/64

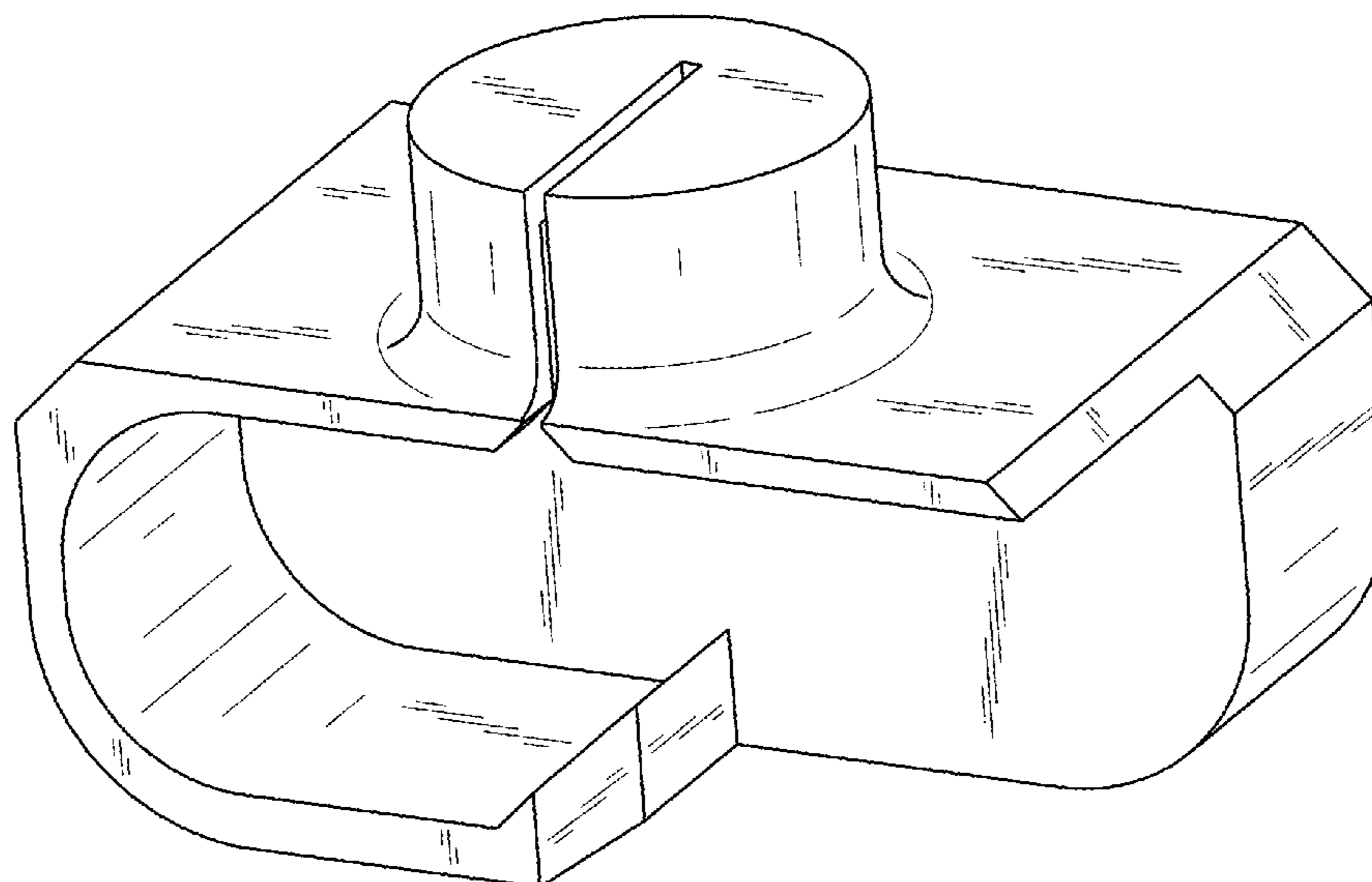
(57) **CLAIM**

The ornamental design for a band saw device, as shown and described.

**DESCRIPTION**

FIG. 1 is a perspective view showing the band saw device embodying the new design; FIG. 2 is a top plan view thereof; and FIG. 3 is a left side elevation view thereof; FIG. 4 is a front elevation view thereof; FIG. 5 is a right side elevation view thereof; FIG. 6 is a bottom plan view thereof; and, FIG. 7 is a rear elevation view thereof.

**1 Claim, 4 Drawing Sheets**



(56)

**References Cited**

U.S. PATENT DOCUMENTS

2006/0144207 A1\* 7/2006 Nortmann ..... B23D 55/026  
83/809  
2007/0221031 A1\* 9/2007 Watanabe ..... B23D 53/06  
83/802  
2007/0289424 A1\* 12/2007 Jan ..... B23D 55/04  
83/452  
2008/0110315 A1\* 5/2008 Wang ..... B23D 55/082  
83/829  
2011/0005364 A1\* 1/2011 Liu ..... B23D 55/026  
83/810  
2019/0247939 A1\* 8/2019 Jurjens ..... B23D 55/04

OTHER PUBLICATIONS

BioCut, LLC, Band Saw SterilCut S28 User Manual, (Published Aug. 26, 2019).

\* cited by examiner

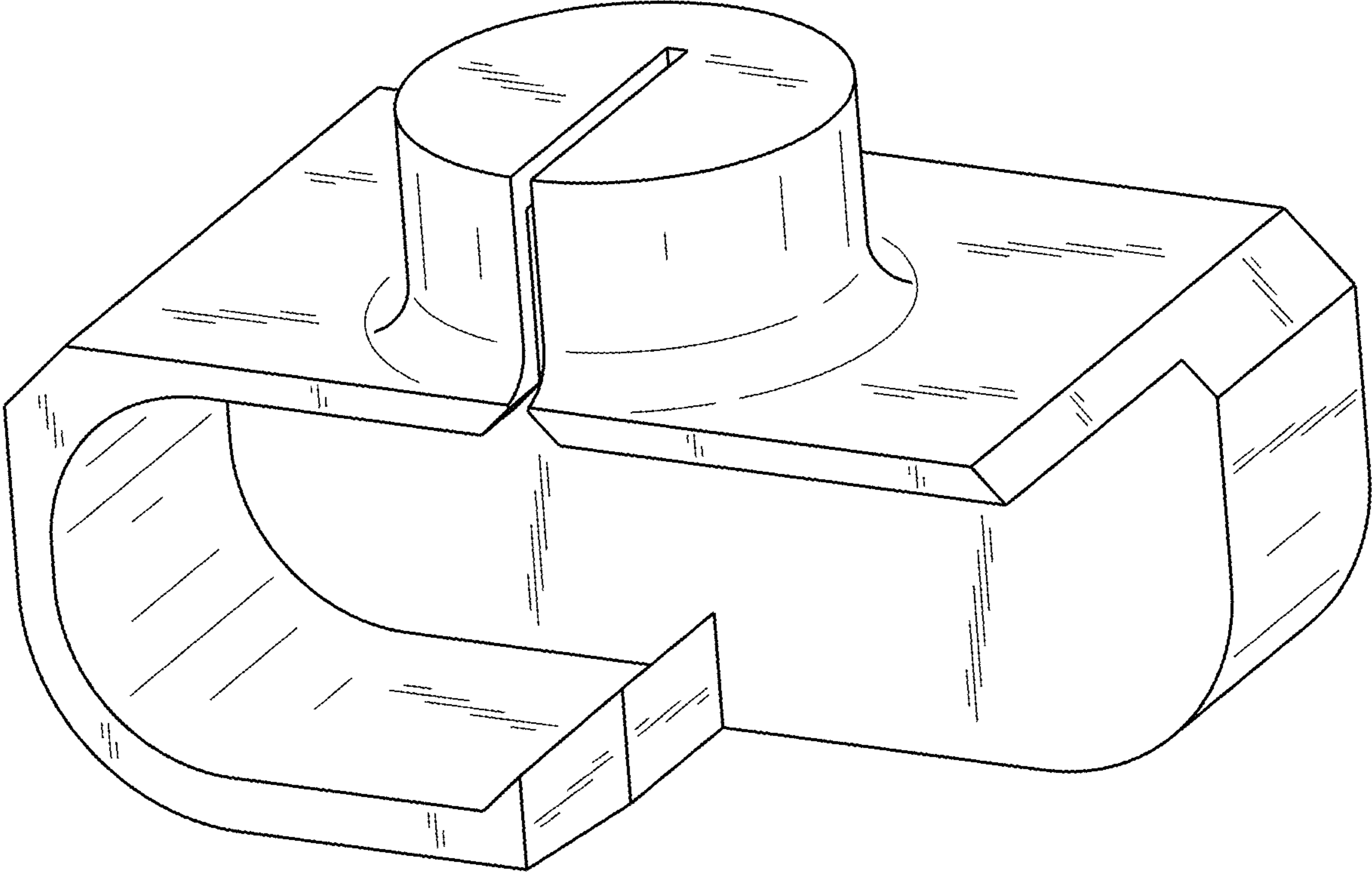


FIG. 1

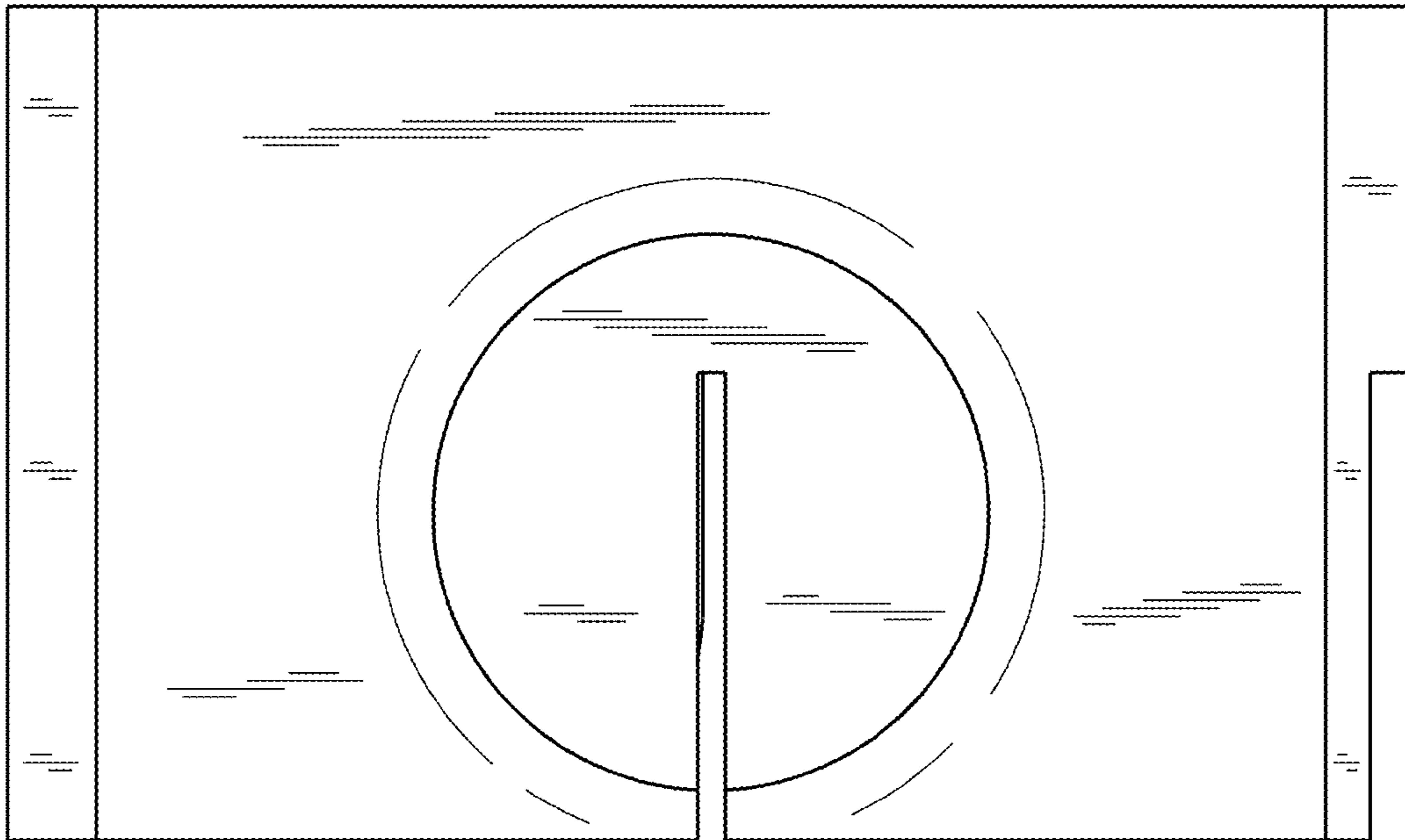


FIG. 2

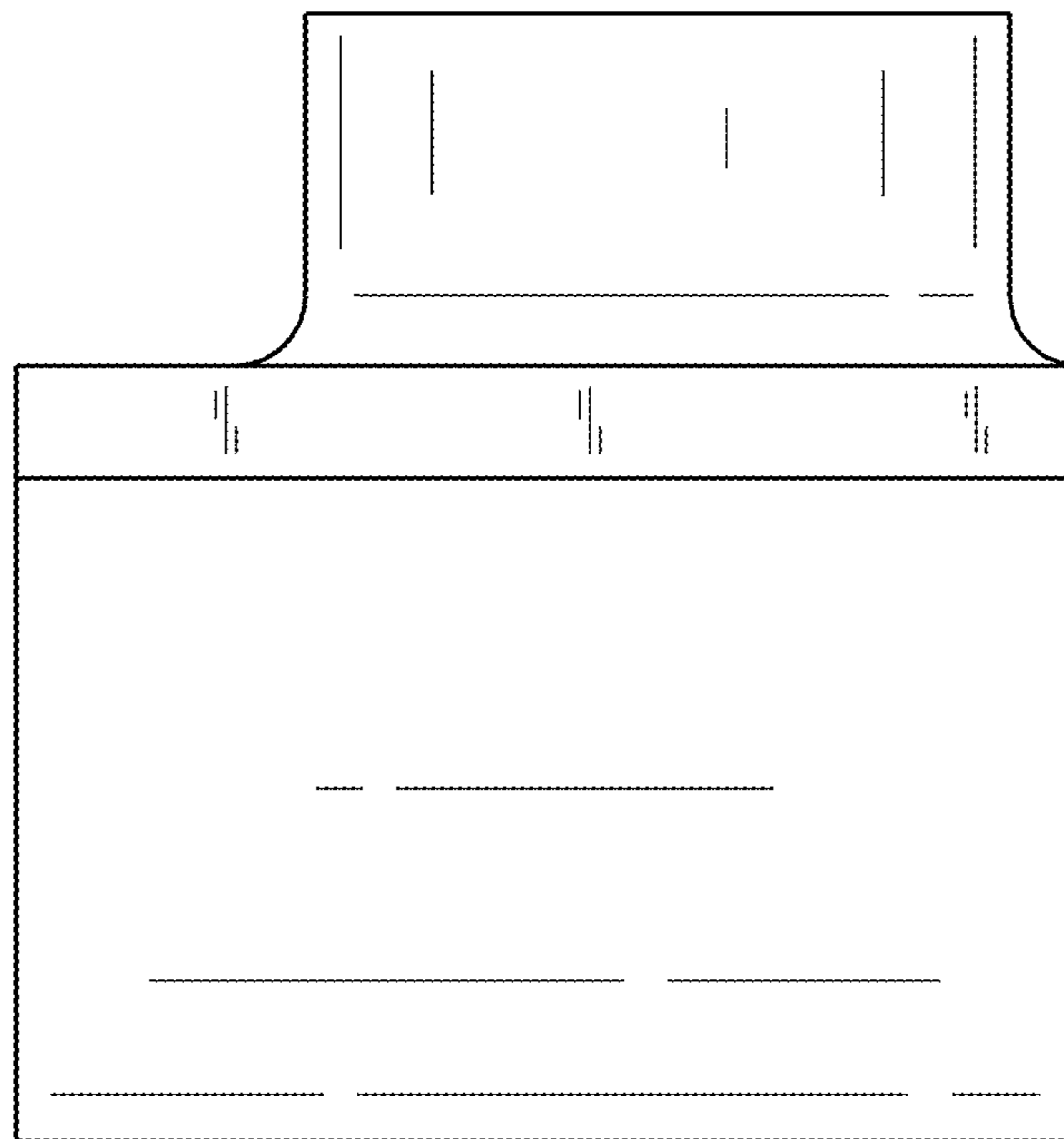


FIG. 3

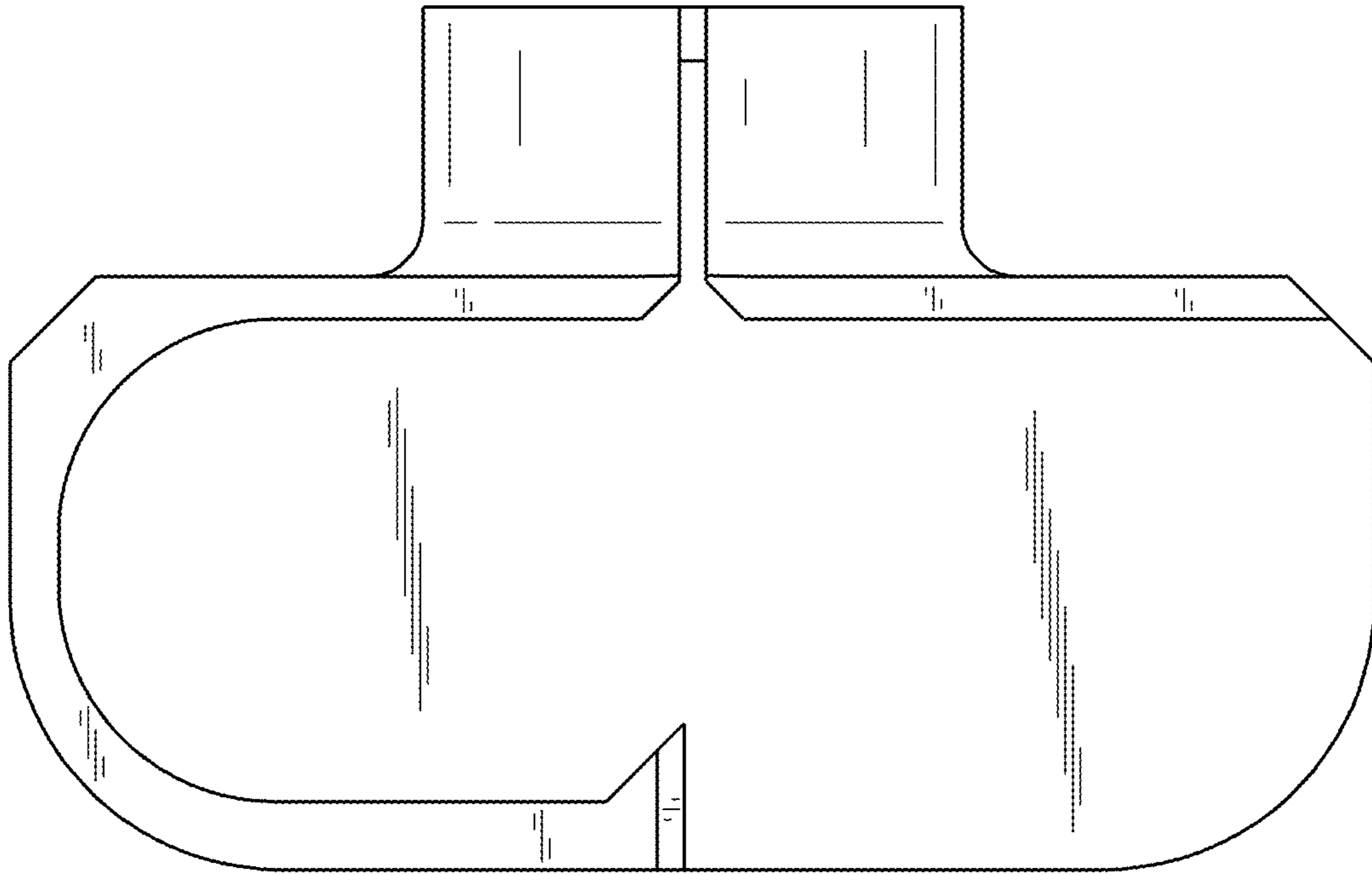


FIG. 4

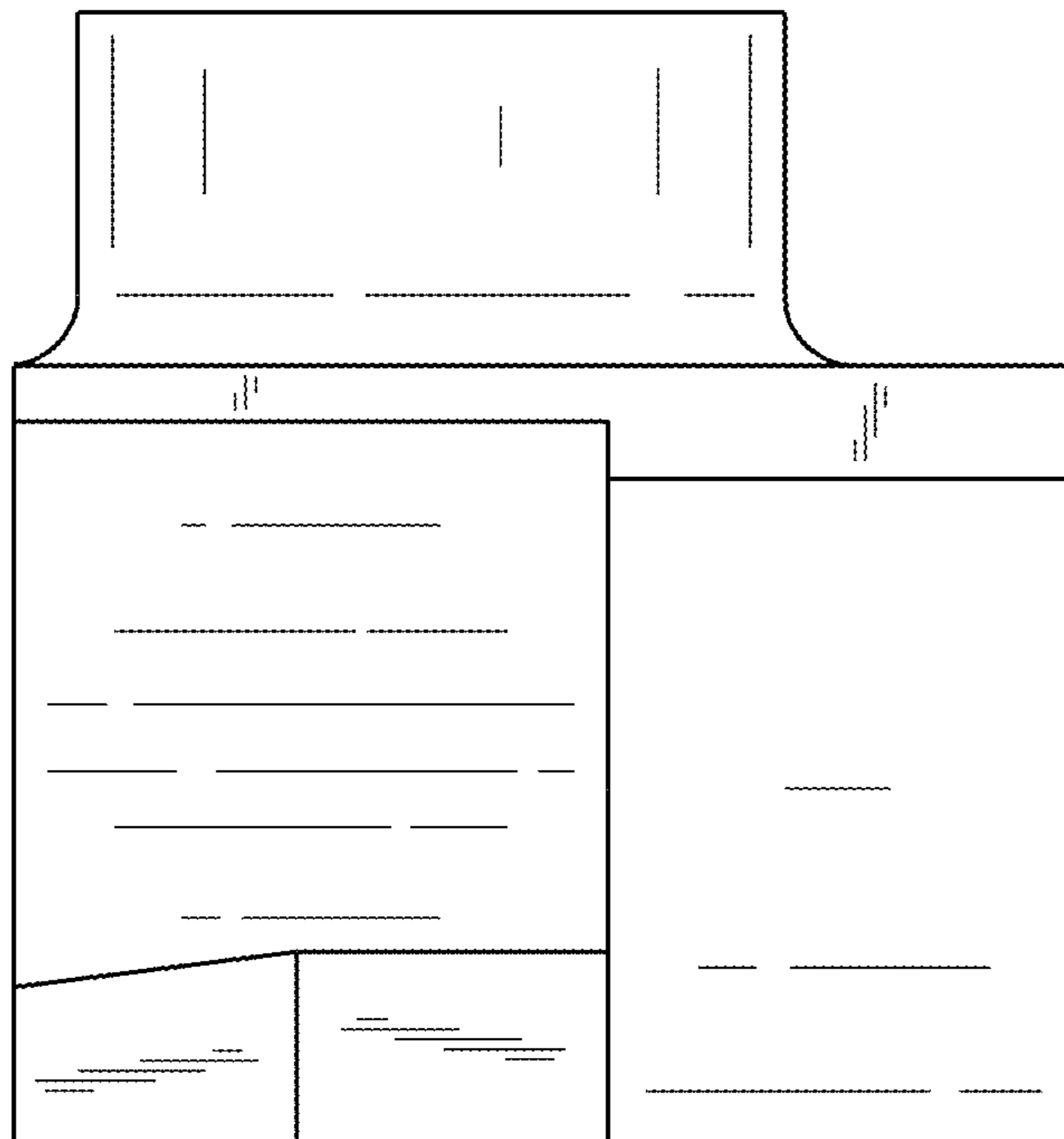


FIG. 5

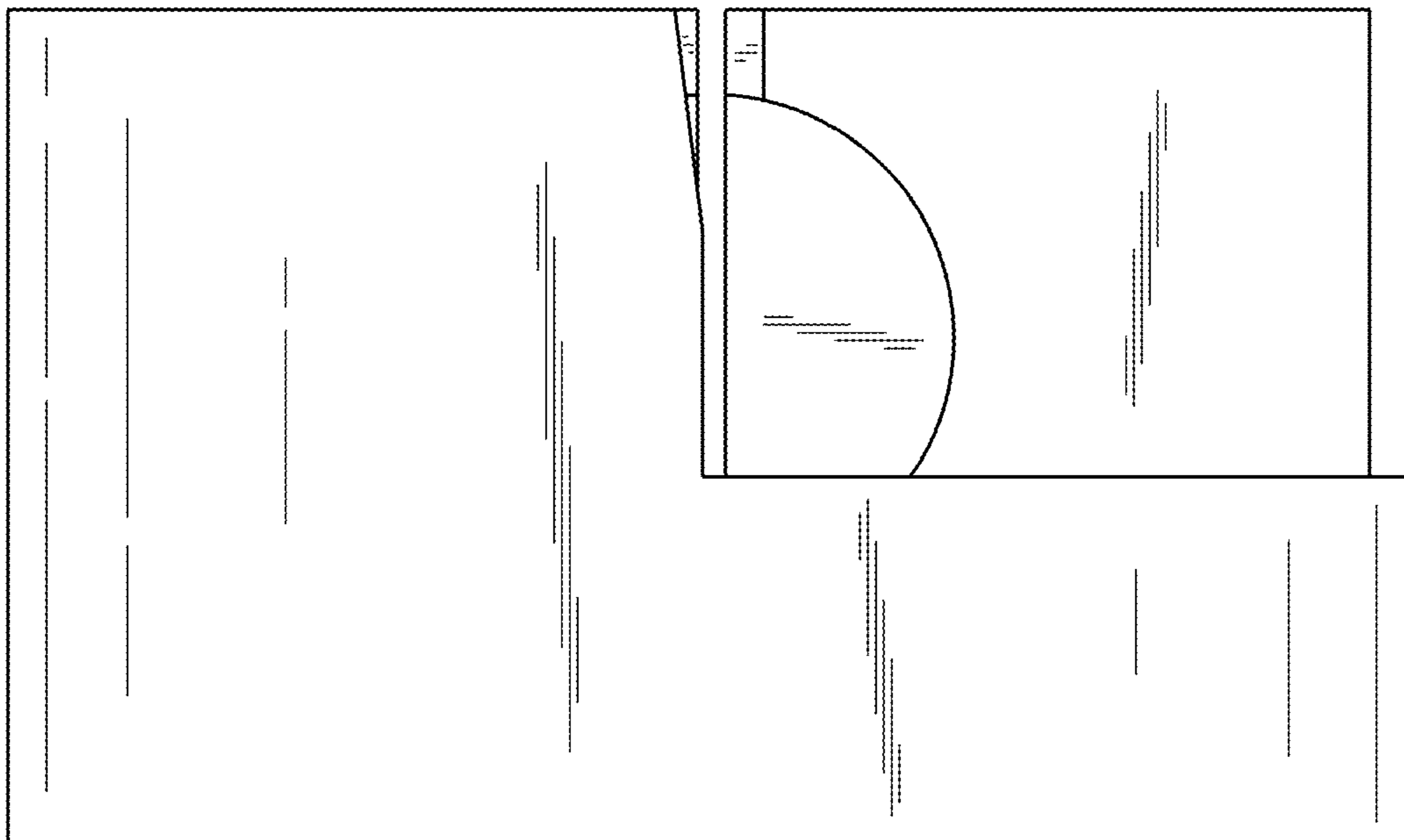


FIG. 6

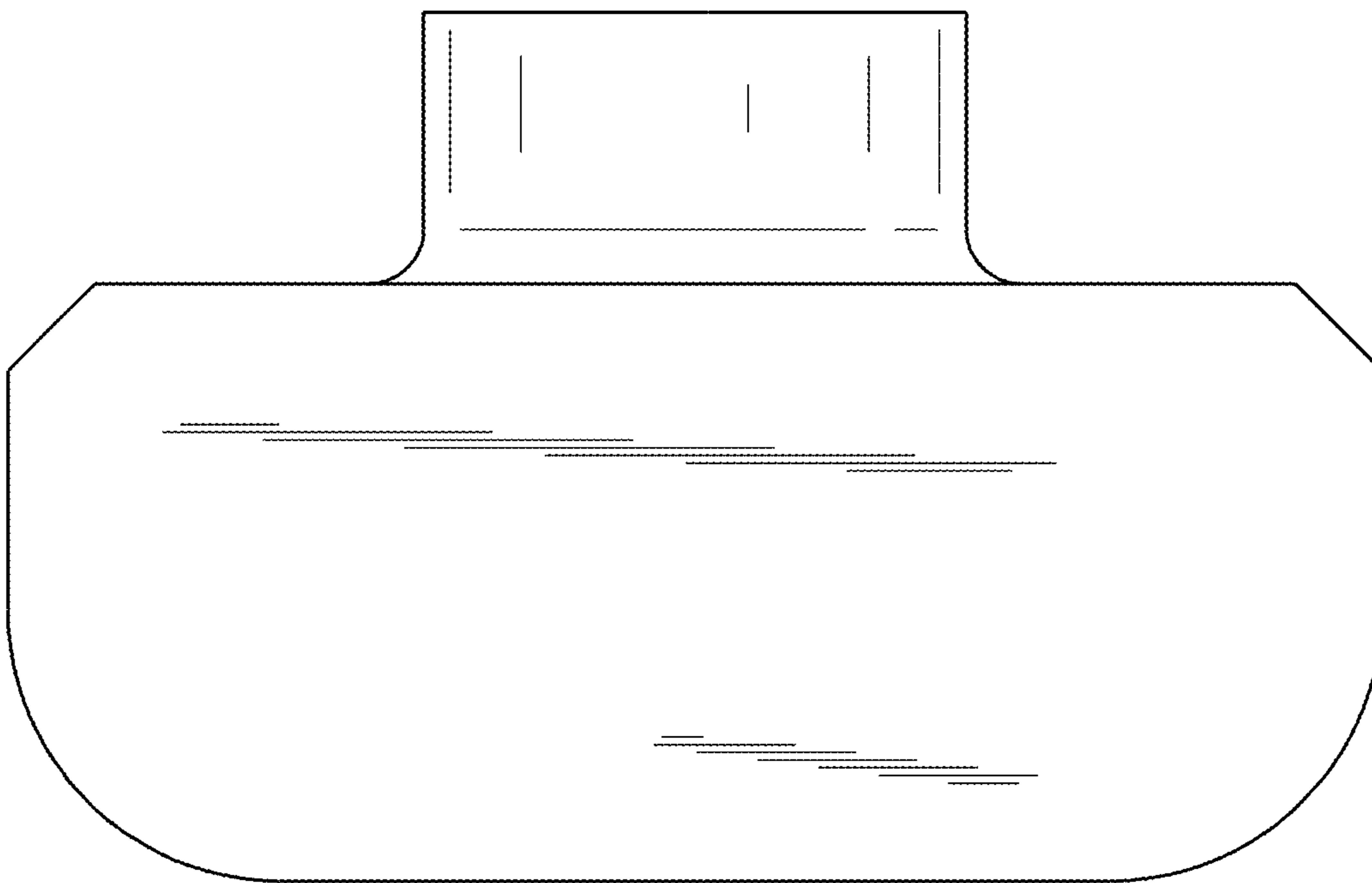


FIG. 7