



US00D914774S

(12) **United States Design Patent** (10) **Patent No.:** **US D914,774 S**
Li (45) **Date of Patent:** **** Mar. 30, 2021**

- (54) **WEDGE FOR A LOG SPLITTER**
- (71) Applicant: **Precision SFx LLC**, Las Vegas, NV (US)
- (72) Inventor: **Mingsu Li**, Changzhou (CN)
- (73) Assignee: **Precision SFX LLC**, Las Vegas, NV (US)
- (**) Term: **15 Years**
- (21) Appl. No.: **29/713,087**
- (22) Filed: **Nov. 13, 2019**
- (51) **LOC (13) Cl.** **15-09**
- (52) **U.S. Cl.**
USPC **D15/127**; D8/1
- (58) **Field of Classification Search**
USPC D8/1, 7, 47, 76; D15/10, 11, 21, 127, D15/133, 138, 139, 199
CPC B27L 7/00; B27L 7/06
See application file for complete search history.

D706,843 S *	6/2014	Banjo	D15/127
D709,932 S *	7/2014	Schuetz	D15/127
D861,754 S *	10/2019	Fukuyama	D15/139
D881,662 S *	4/2020	Hutchinson	D8/1
D901,563 S *	11/2020	Cogliati	D15/138
2012/0055585 A1*	3/2012	Gassner	B27L 7/00 144/195.1

FOREIGN PATENT DOCUMENTS

DE	2015-23240	*	4/2015	
EP	3421199 A1	*	1/2019 B27L 7/00

* cited by examiner

Primary Examiner — Michael C Stout
Assistant Examiner — Fritzgerald L Butac
(74) *Attorney, Agent, or Firm* — K&L Gates LLP

(57) **CLAIM**

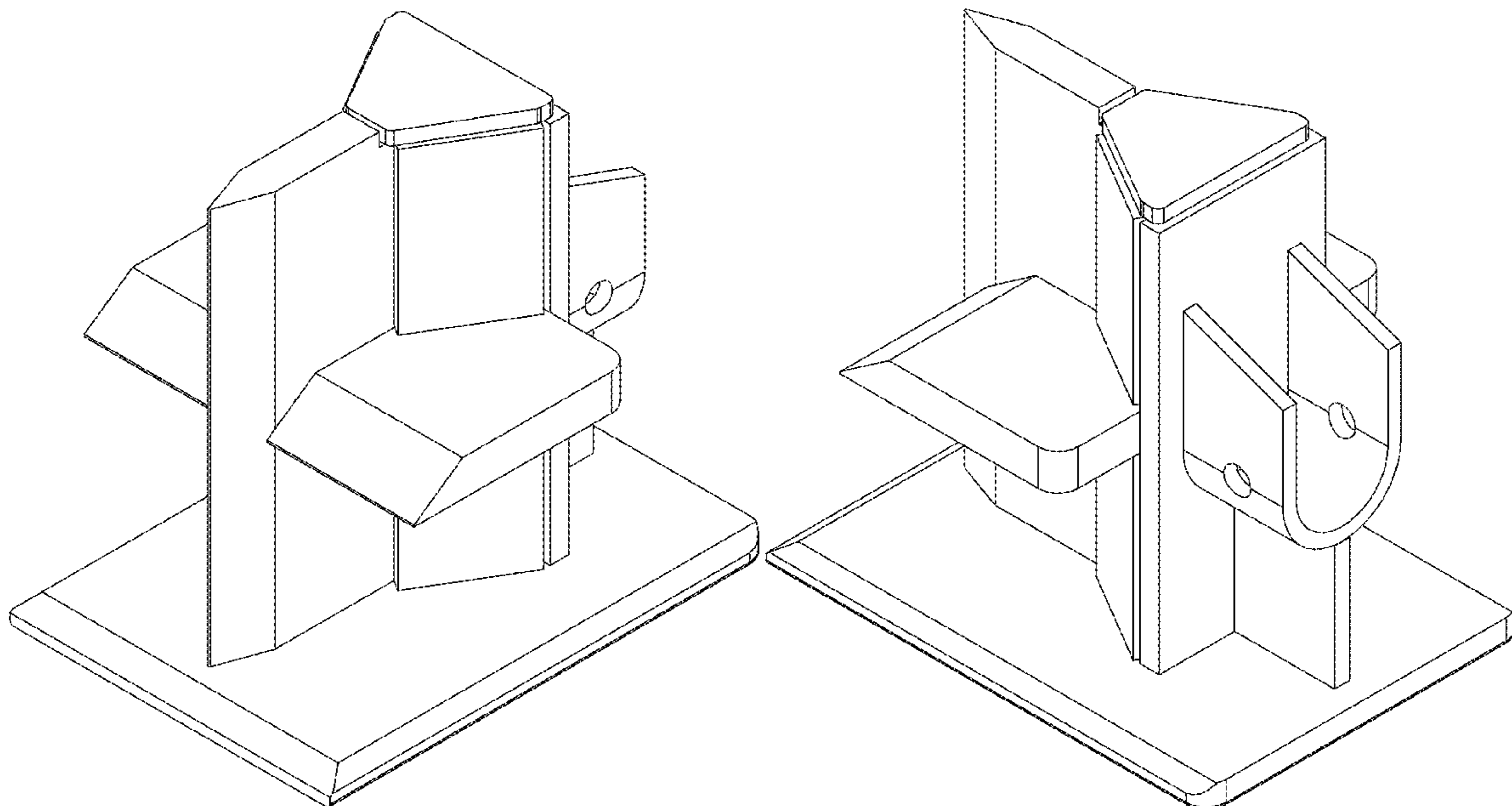
The ornamental design for a wedge for a log splitter, as shown and described.

DESCRIPTION

FIG. 1 is a perspective view of a wedge for a log splitter according to our new design;
FIG. 2 is another perspective view of the wedge for a log splitter of FIG. 1;
FIG. 3 is a front elevation view of the wedge for the log splitter of FIG. 1;
FIG. 4 is a rear elevation view of the wedge for the log splitter of FIG. 1;
FIG. 5 is a left elevation view of the wedge for the log splitter of FIG. 1;
FIG. 6 is a right elevation view of the wedge for the log splitter of FIG. 1;
FIG. 7 is a top plan view of the wedge for the log splitter of FIG. 1; and,
FIG. 8 is a bottom plan view of the wedge for the log splitter of FIG. 1.

1 Claim, 8 Drawing Sheets

- (56) **References Cited**
- U.S. PATENT DOCUMENTS**
- D261,143 S * 10/1981 Green D15/127
- 4,401,143 A * 8/1983 Volcjak B27L 7/06
144/193.1
- D274,253 S * 6/1984 Harris D15/127
- 4,488,585 A * 12/1984 Kendziorski B27L 7/06
144/195.7
- 4,589,457 A * 5/1986 Schmidt B27L 7/06
144/193.1
- D345,169 S * 3/1994 Swain, Jr. D15/28
- 5,547,001 A * 8/1996 Cumming B27L 7/005
125/23.01
- D552,133 S * 10/2007 Babcock D15/127
- D706,318 S * 6/2014 Banjo D15/127
- D706,319 S * 6/2014 Banjo D15/127



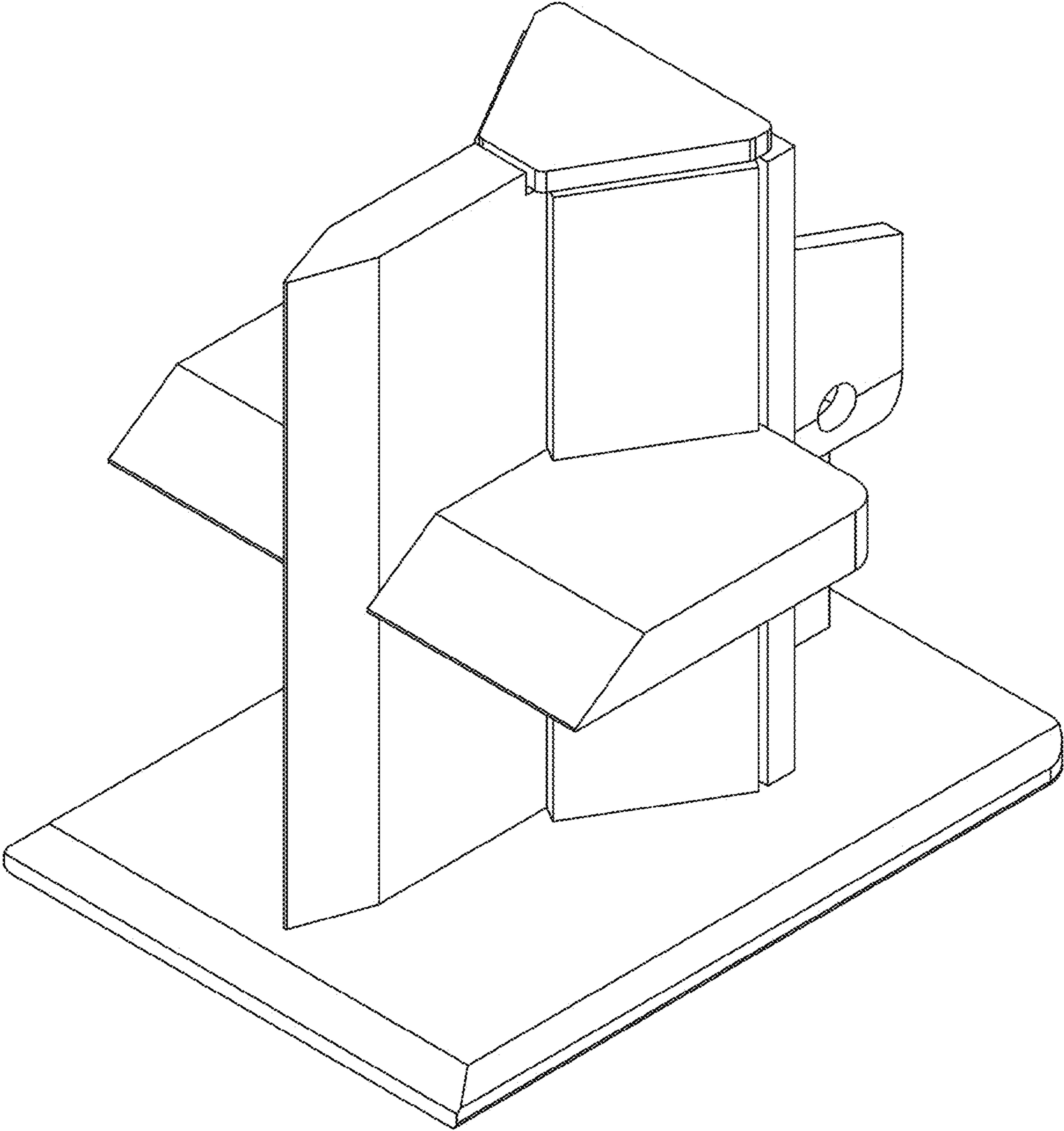


FIG. 1

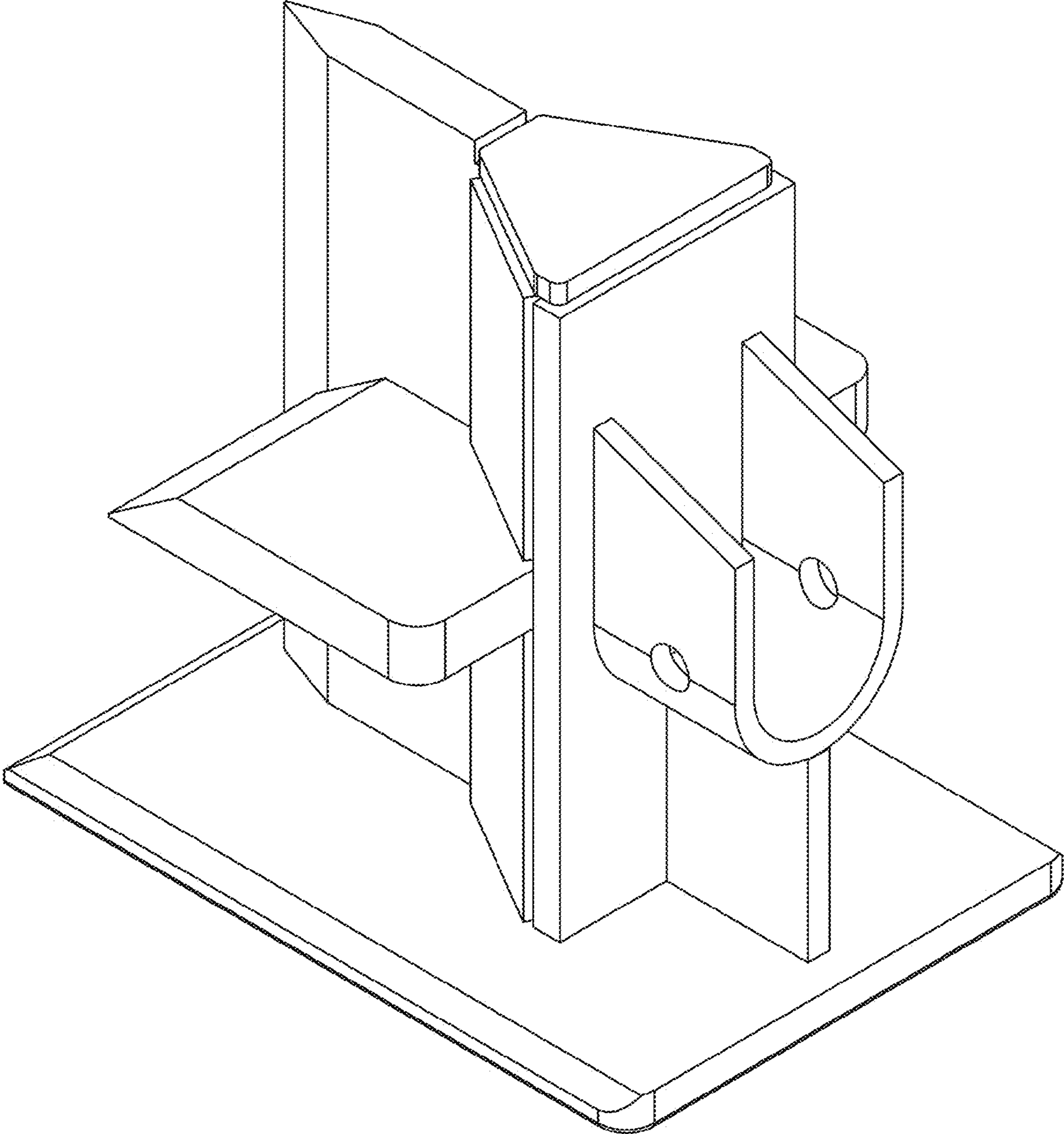


FIG. 2

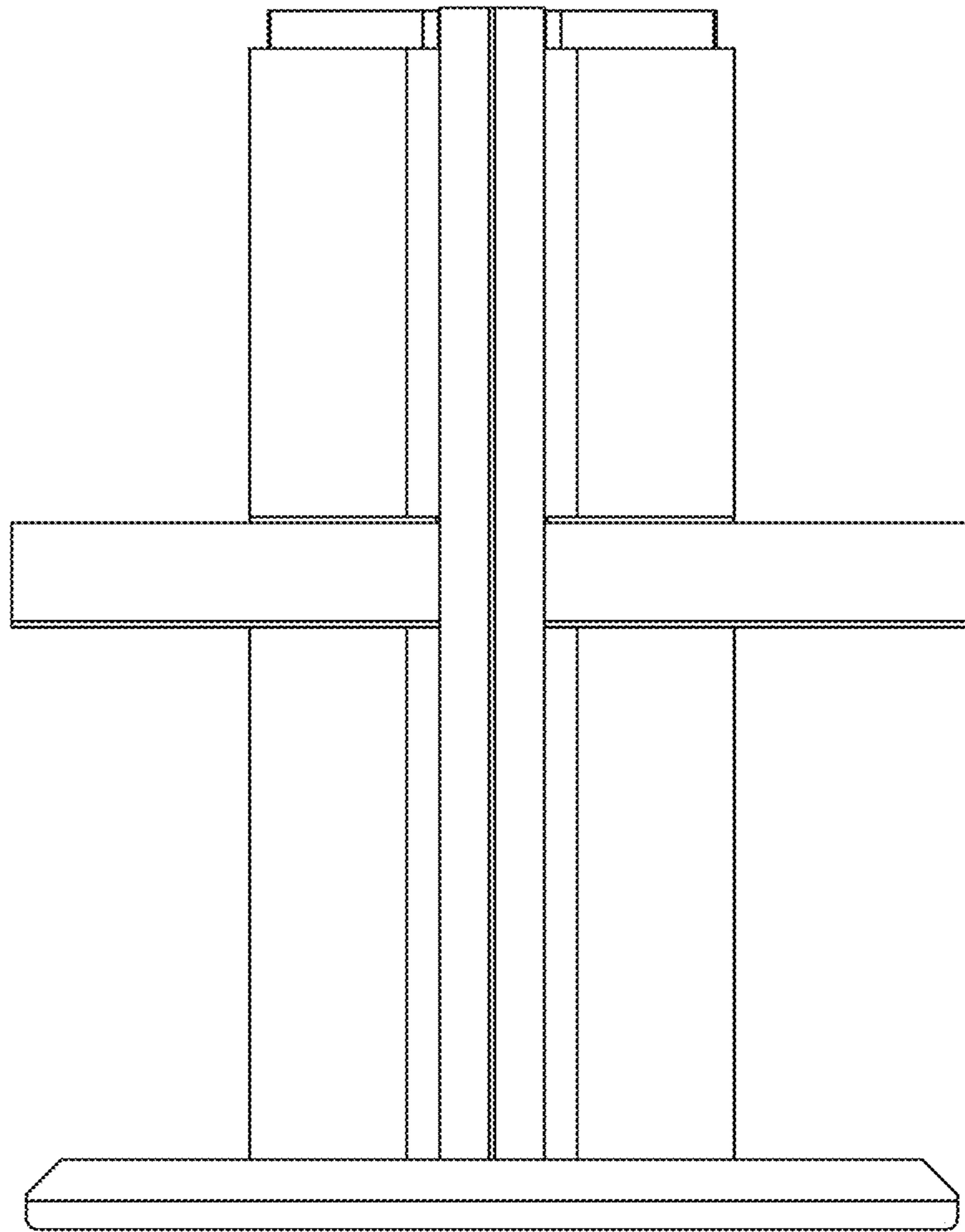


FIG. 3

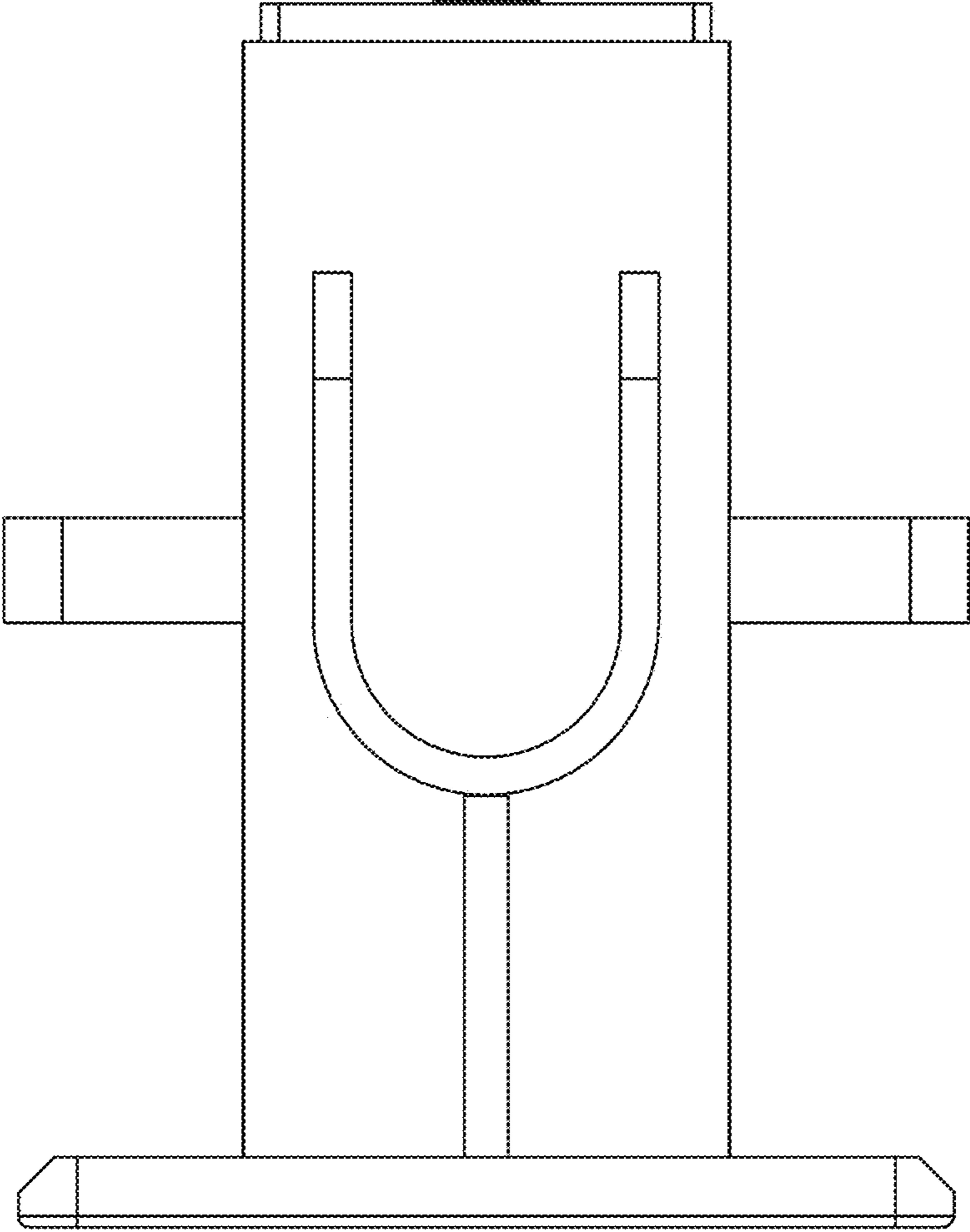


FIG. 4

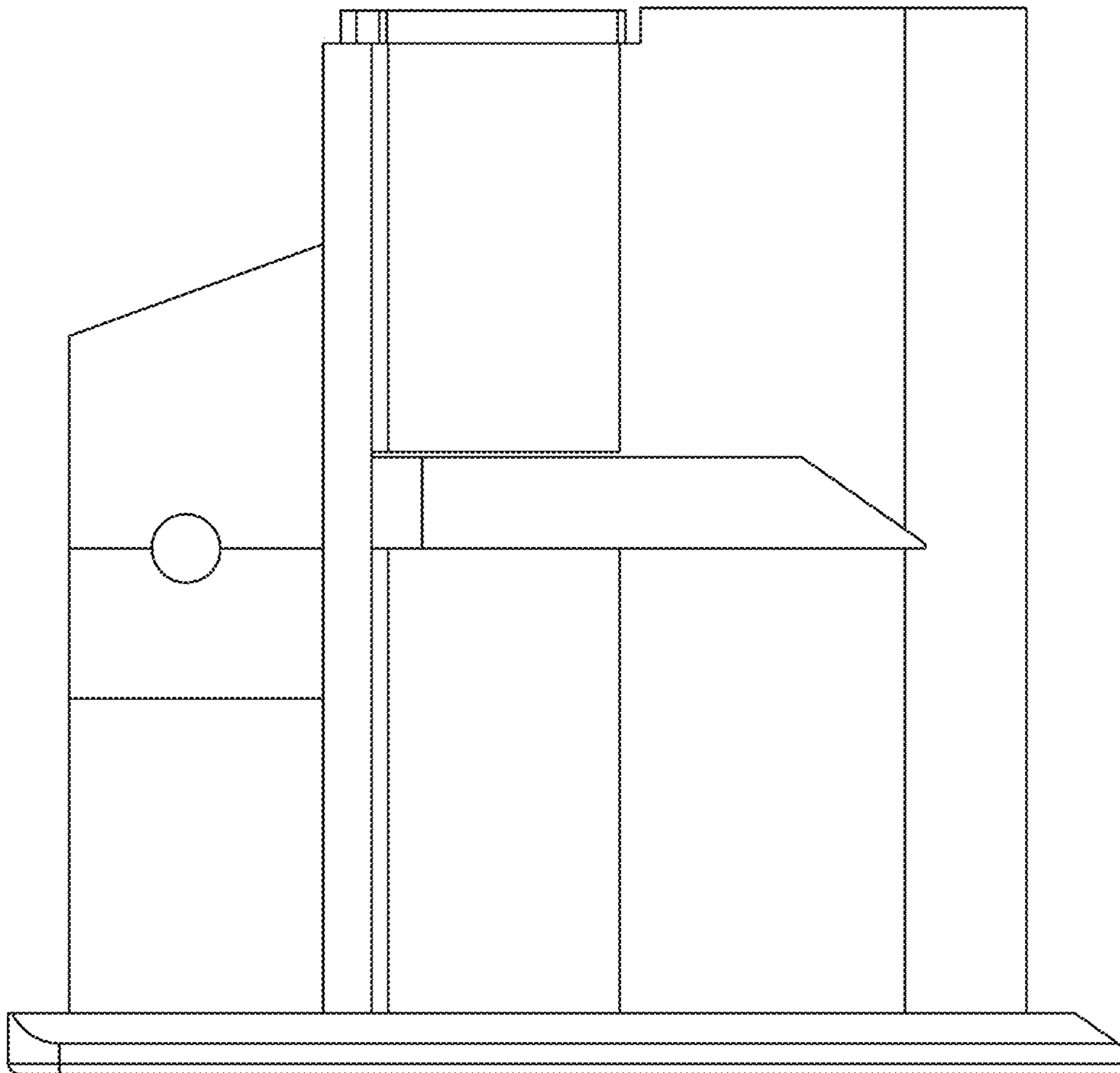


FIG. 5

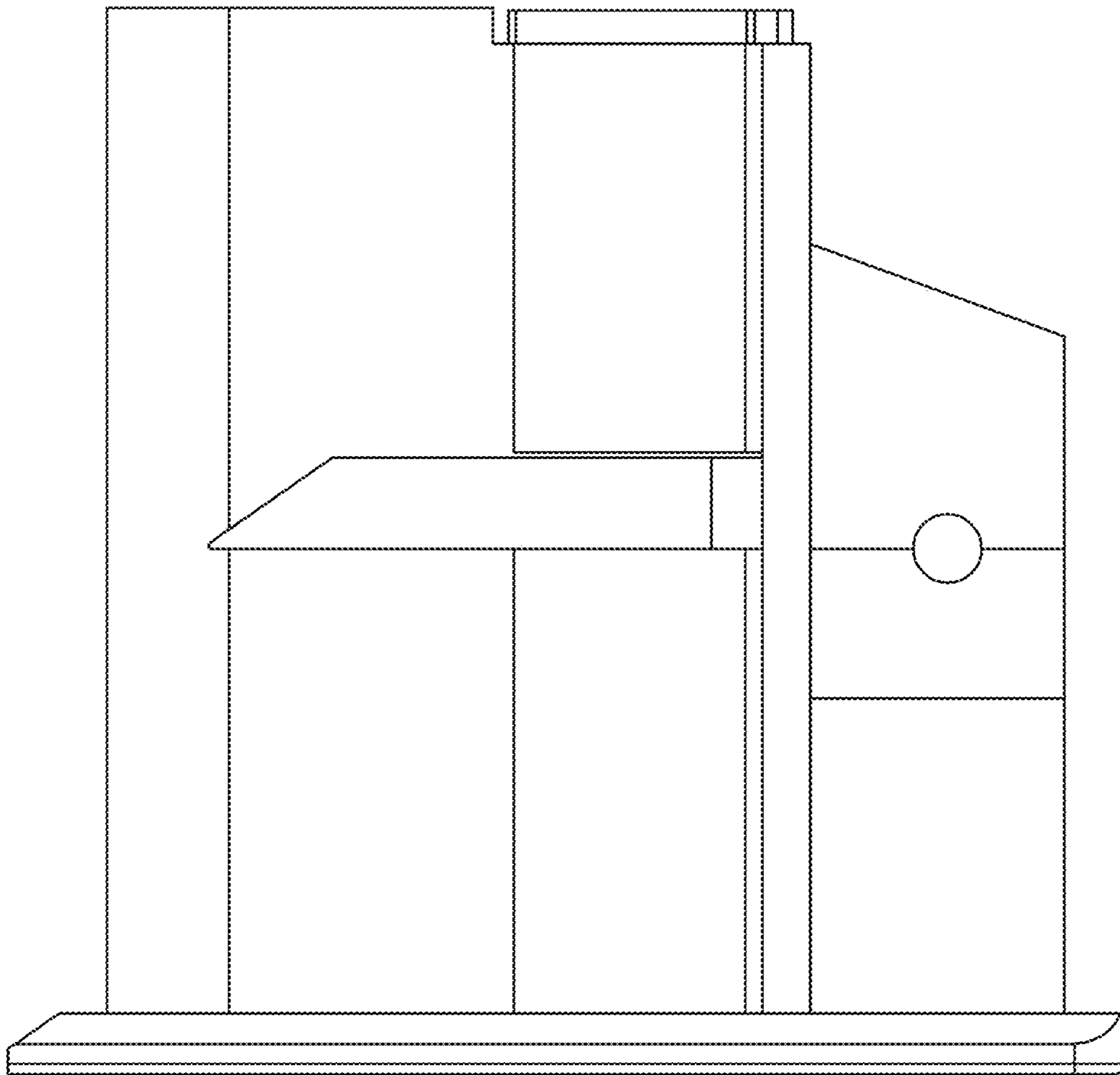


FIG. 6

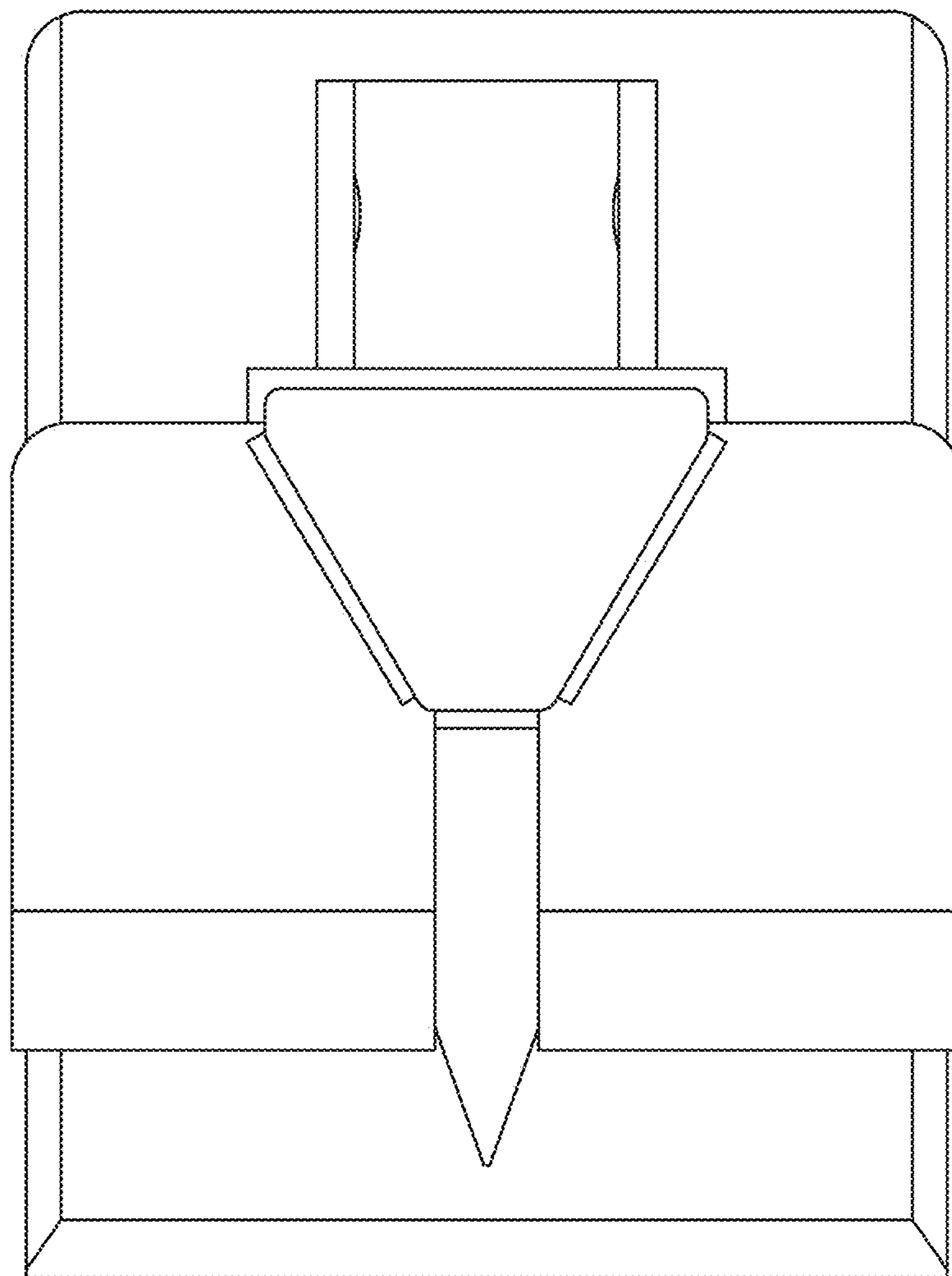


FIG. 7

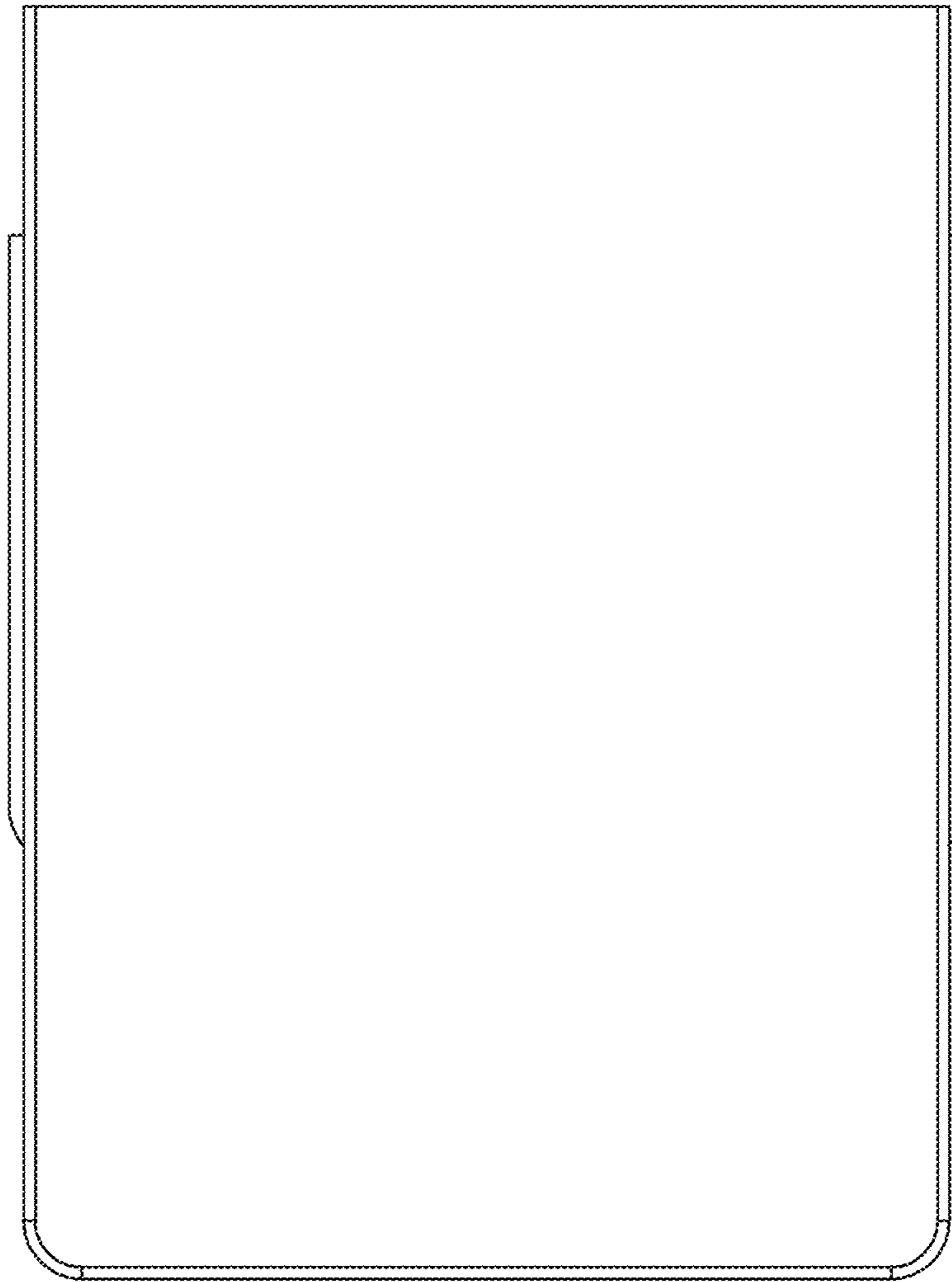


FIG. 8