



US00D914773S

(12) **United States Design Patent** (10) **Patent No.:** **US D914,773 S**  
**Benlolo** (45) **Date of Patent:** **\*\* \*Mar. 30, 2021**

(54) **ICE SPHERE MOLD**

(71) Applicant: **Michael Benlolo**, North Miami, FL (US)  
(72) Inventor: **Michael Benlolo**, North Miami, FL (US)  
(\* ) Notice: This patent is subject to a terminal disclaimer.

(\*\*) Term: **15 Years**

(21) Appl. No.: **29/654,628**

(22) Filed: **Jun. 26, 2018**

(51) **LOC (13) Cl.** ..... **15-07**

(52) **U.S. Cl.**  
USPC ..... **D15/90**

(58) **Field of Classification Search**  
USPC ..... D15/79-91  
CPC ..... F25D 23/028; F25D 2323/024; F25D 29/005; F25D 11/00; F25D 11/02; F25D 2323/021; F25D 2323/023; F25D 23/02; F25D 23/025; F25D 23/126; F25D 2400/361; F25D 17/04; F25D 17/045; F25D 17/06; F25D 17/062; F25D 17/065; F25D 17/067; F25D 17/08; F25D 19/006; F25D 2317/062; F25D 2323/122; F25D 23/04; F25D 23/066; F25D 2400/18; F25D 25/005; F25D 2700/06; F25D 29/00

See application file for complete search history.

(56) **References Cited**

U.S. PATENT DOCUMENTS

D781,932 S *	3/2017	Yoshikawa	.....	D15/80
D795,311 S *	8/2017	Kraemer	.....	D15/89
D803,904 S *	11/2017	Frank	.....	D15/90
D805,361 S *	12/2017	Bellacicco	.....	D7/672
D836,409 S *	12/2018	Silsby	.....	D7/665
D843,179 S *	3/2019	Buttler	.....	D7/605
D844,395 S *	4/2019	Braidotti	.....	D7/674

\* cited by examiner

*Primary Examiner* — Khawaja Anwar

(74) *Attorney, Agent, or Firm* — Mestechkin Law Group P.C.

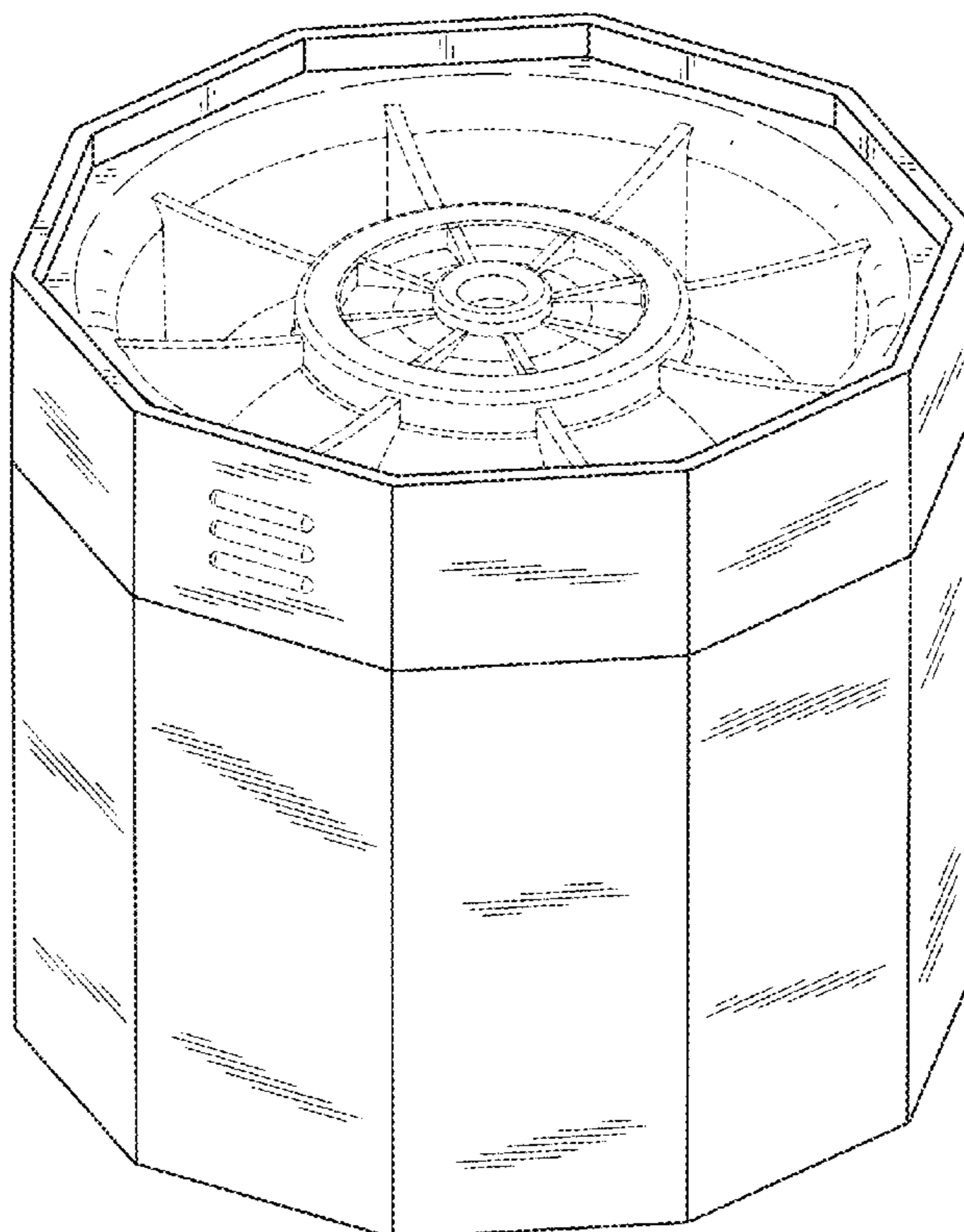
(57) **CLAIM**

The ornamental design for an ice sphere mold, as shown and described.

**DESCRIPTION**

FIG. 1 is a front perspective view of an ice sphere mold; FIG. 2 is a front elevation view thereof, the rear elevation view being an identical image thereof; FIG. 3 is a left side elevation view thereof, the right side elevation view being an identical image thereof; FIG. 4 is a top plan view thereof; and, FIG. 5 is a bottom plan view thereof. The broken lines shown in the drawings depict portions of the ice sphere mold that form no part of the claimed invention.

**1 Claim, 3 Drawing Sheets**



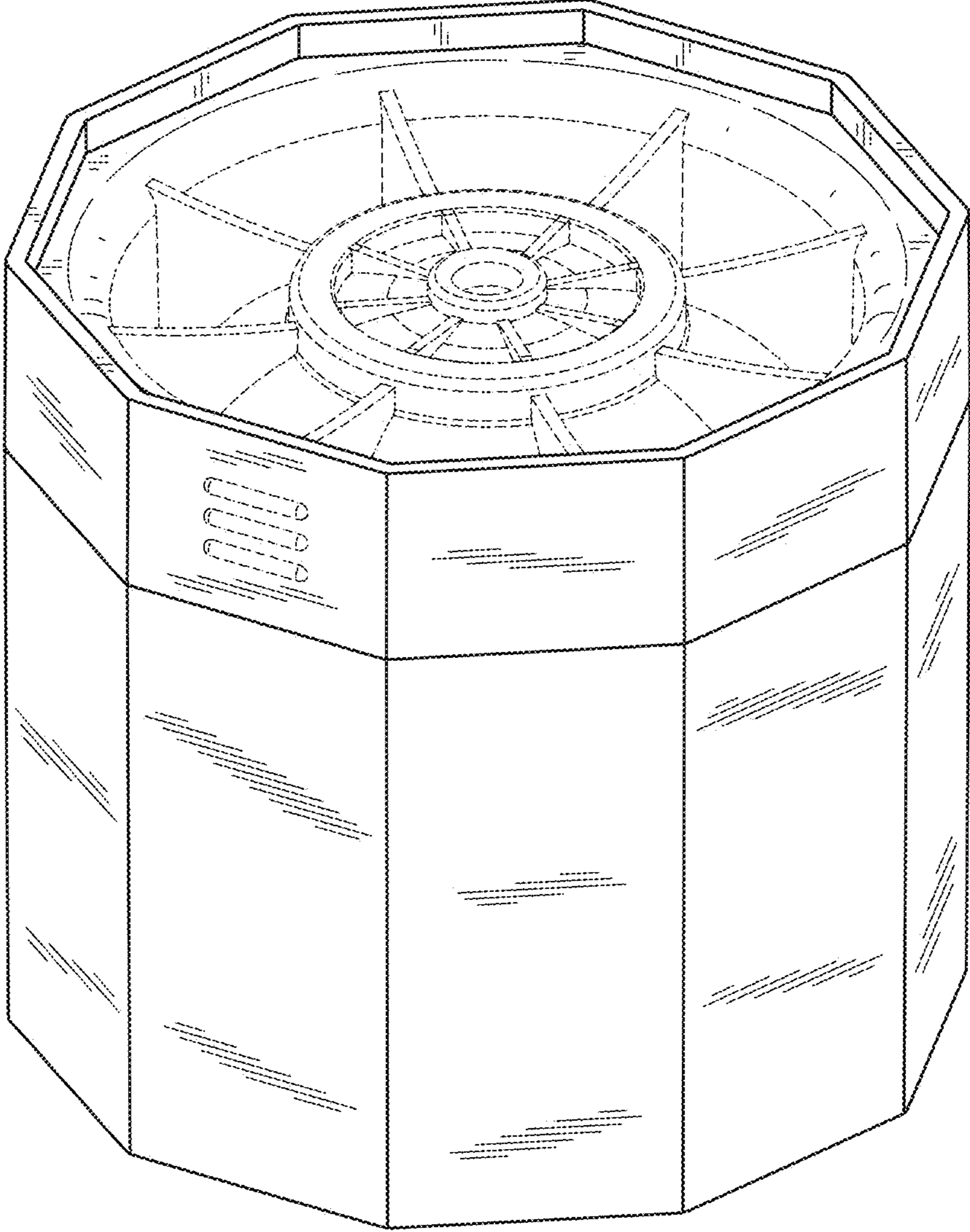


FIG. 1

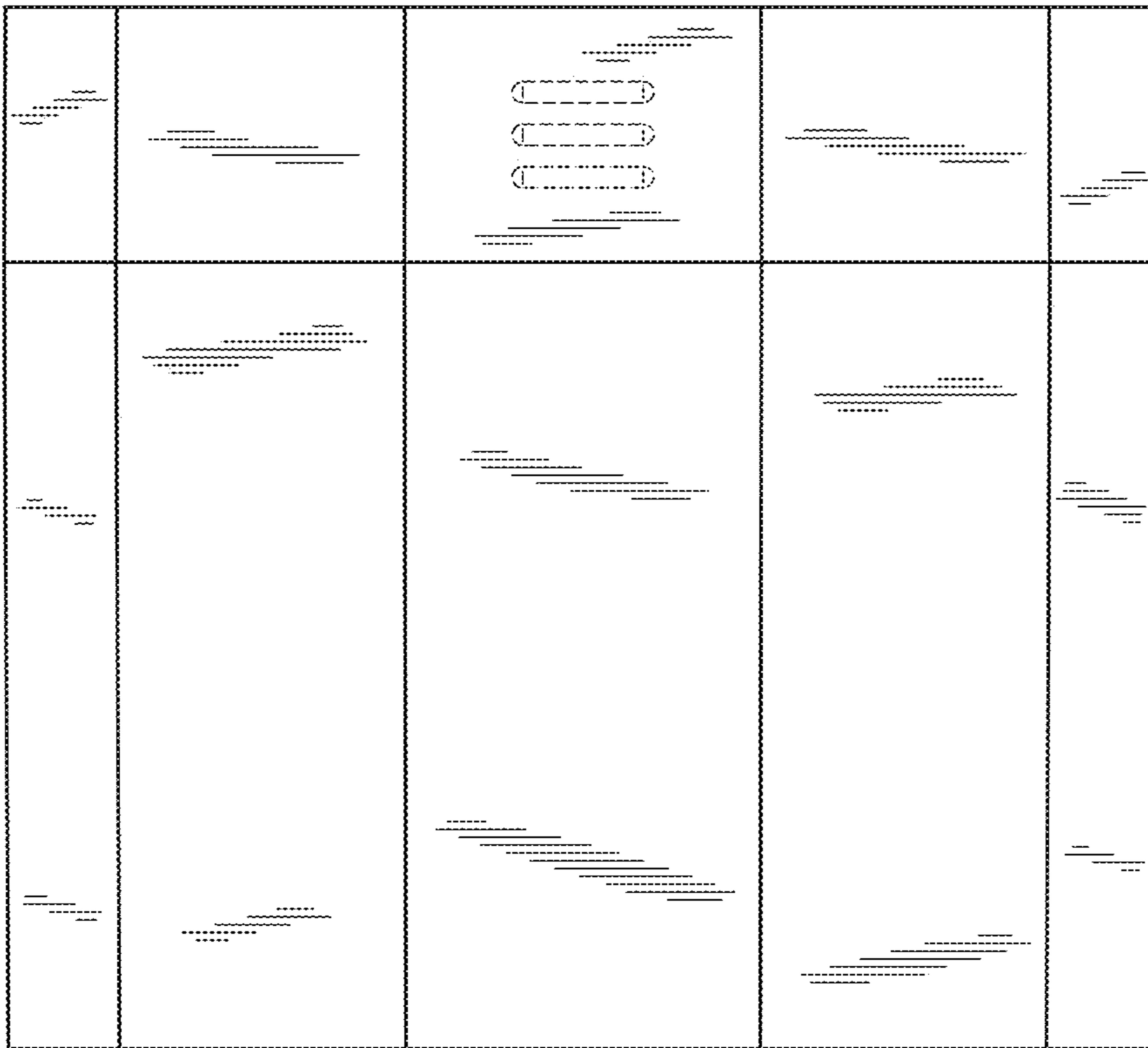


FIG. 2

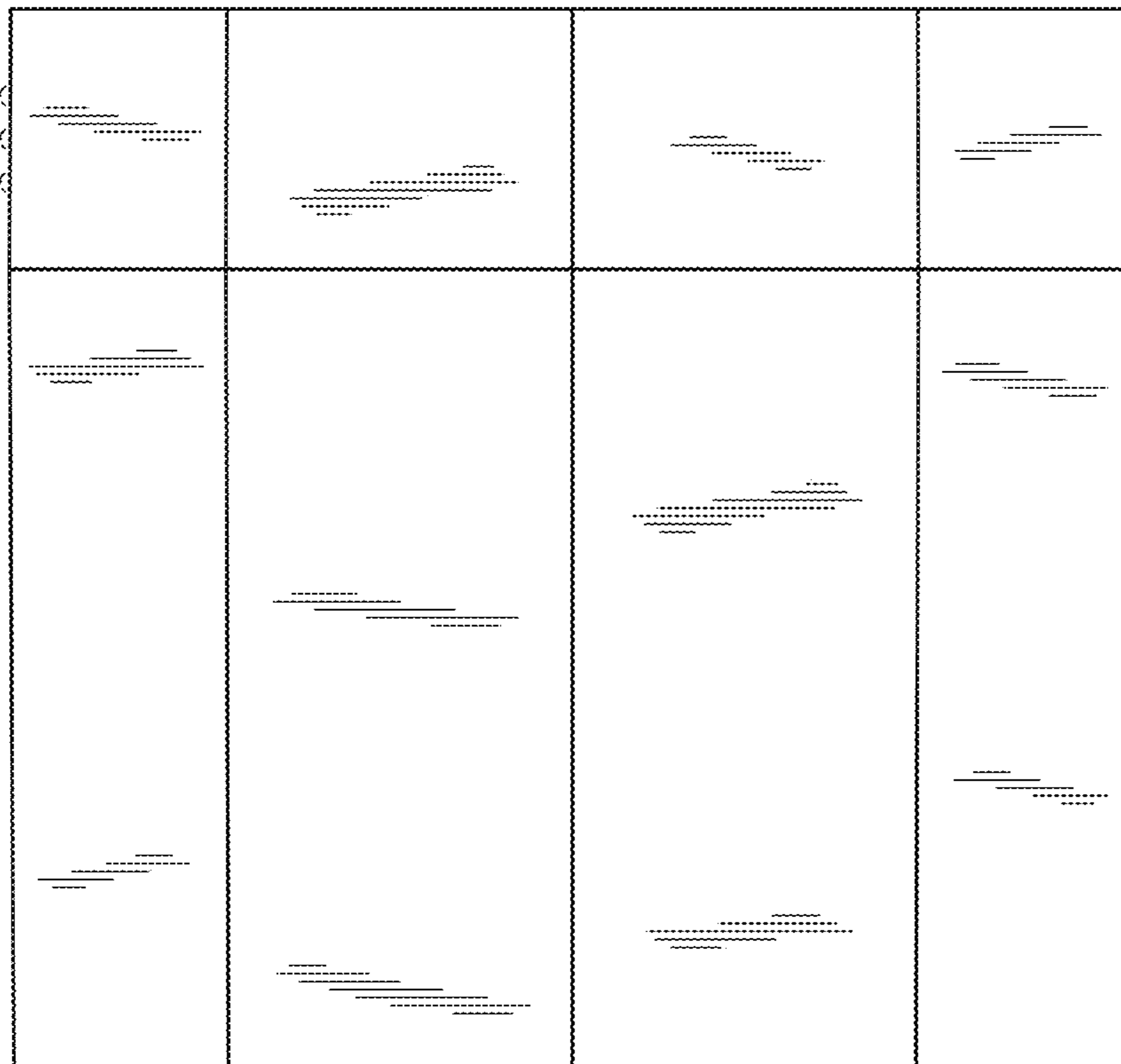


FIG. 3

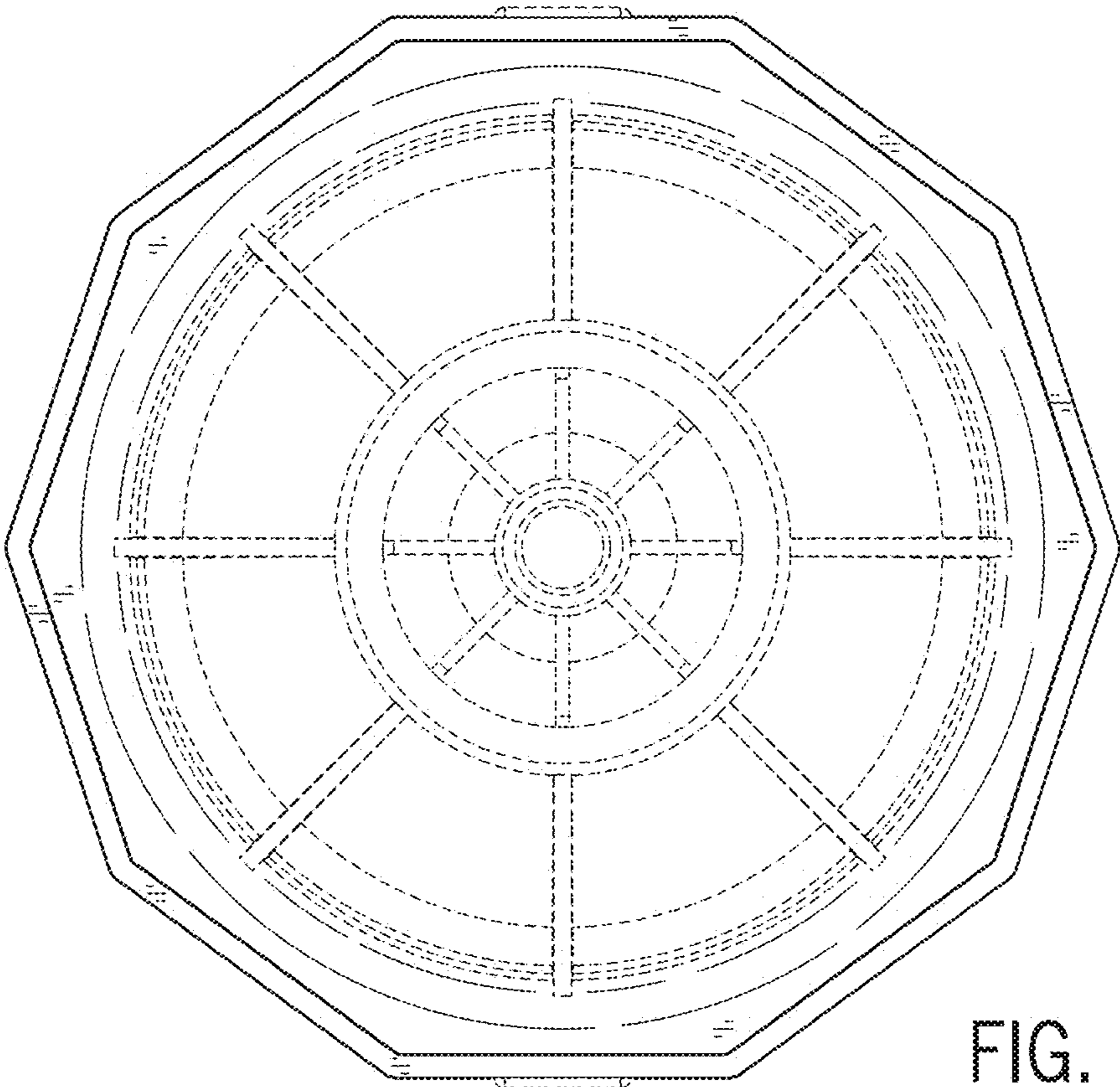


FIG. 4

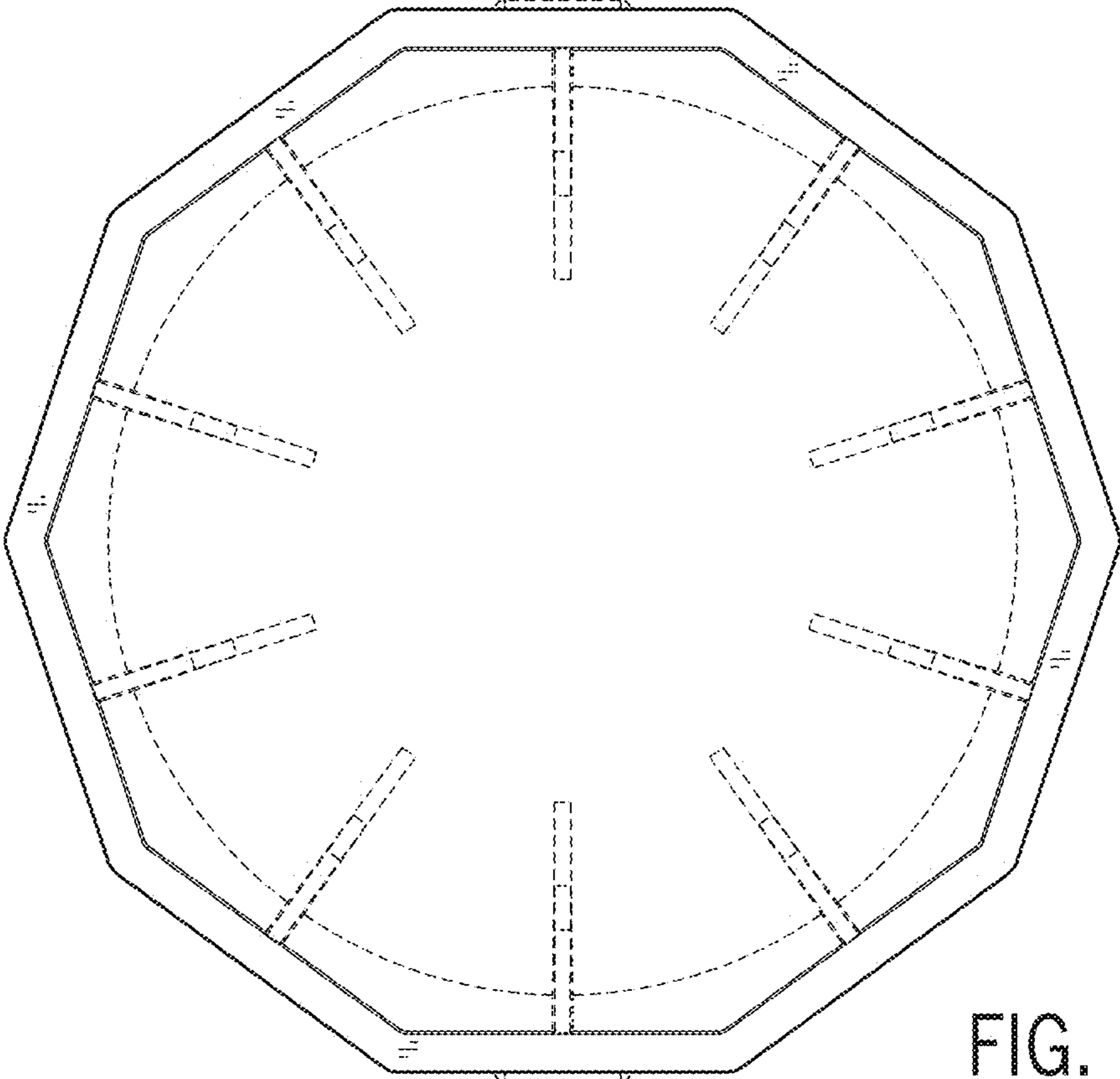


FIG. 5