



US00D914771S

(12) **United States Design Patent** (10) **Patent No.:** **US D914,771 S**  
**Zhu** (45) **Date of Patent:** **\*\* Mar. 30, 2021**

(54) **SEWING MACHINE**  
(71) Applicant: **Guangzhou Yinweige Import and Export Trading Co., Ltd, Guangzhou (CN)**  
(72) Inventor: **Zhao Nian Zhu, Guangzhou (CN)**  
(\*\*) Term: **15 Years**  
(21) Appl. No.: **29/749,346**  
(22) Filed: **Sep. 4, 2020**  
(51) **LOC (13) Cl.** ..... **15-06**  
(52) **U.S. Cl.**  
USPC ..... **D15/69**  
(58) **Field of Classification Search**  
USPC ..... D15/66-78  
CPC ..... D05B 1/00-25/00  
See application file for complete search history.

D377,358 S \* 1/1997 Tippmann, Sr. .... D15/69  
D377,359 S \* 1/1997 Chung ..... D15/70  
D377,360 S \* 1/1997 Chung ..... D15/70  
D459,737 S \* 7/2002 Kuroki  
D462,703 S \* 9/2002 Farne ..... D15/69  
D481,738 S \* 11/2003 Egami ..... D15/69  
D490,824 S \* 6/2004 Egami ..... D15/69  
D505,138 S \* 5/2005 Takayasu et al.  
D507,583 S \* 7/2005 Muto ..... D15/69  
D515,108 S \* 2/2006 Kawaguchi  
D527,394 S \* 8/2006 Rosenzweig ..... D15/70  
D620,504 S \* 7/2010 Hattori ..... D15/69  
D658,212 S \* 4/2012 Congiu  
D678,920 S \* 3/2013 Zhang ..... D15/69  
D726,781 S \* 4/2015 Shinde ..... D15/69  
D748,160 S \* 1/2016 Kawaguchi  
D849,063 S \* 5/2019 Zhang ..... D15/69  
2018/0002852 A1\* 1/2018 Yamazaki ..... D05B 23/00

\* cited by examiner

*Primary Examiner* — Mitchell I. Siegel

(74) *Attorney, Agent, or Firm* — Rumit Ranjit Kanakia

(56) **References Cited**  
U.S. PATENT DOCUMENTS

26,462 A \* 12/1859 Miller ..... D05B 1/06  
112/195  
27,214 A \* 2/1860 Gibbs ..... D05B 1/14  
112/168  
D2,836 S \* 11/1867 Wilson ..... D15/69  
D3,478 S \* 5/1869 Bartram ..... D15/69  
D5,407 S \* 12/1871 Secor ..... D15/69  
2,516,874 A \* 8/1950 Holland ..... D05B 49/04  
112/248  
D172,819 S \* 8/1954 Bono ..... D15/69  
D185,657 S \* 7/1959 Bono ..... D15/69  
3,098,459 A \* 7/1963 Bono ..... D05B 3/14  
112/114  
4,217,841 A \* 8/1980 Daido ..... D05B 69/18  
112/277  
D292,930 S \* 11/1987 Yoneda ..... D15/69  
D366,490 S \* 1/1996 Wu ..... D15/69

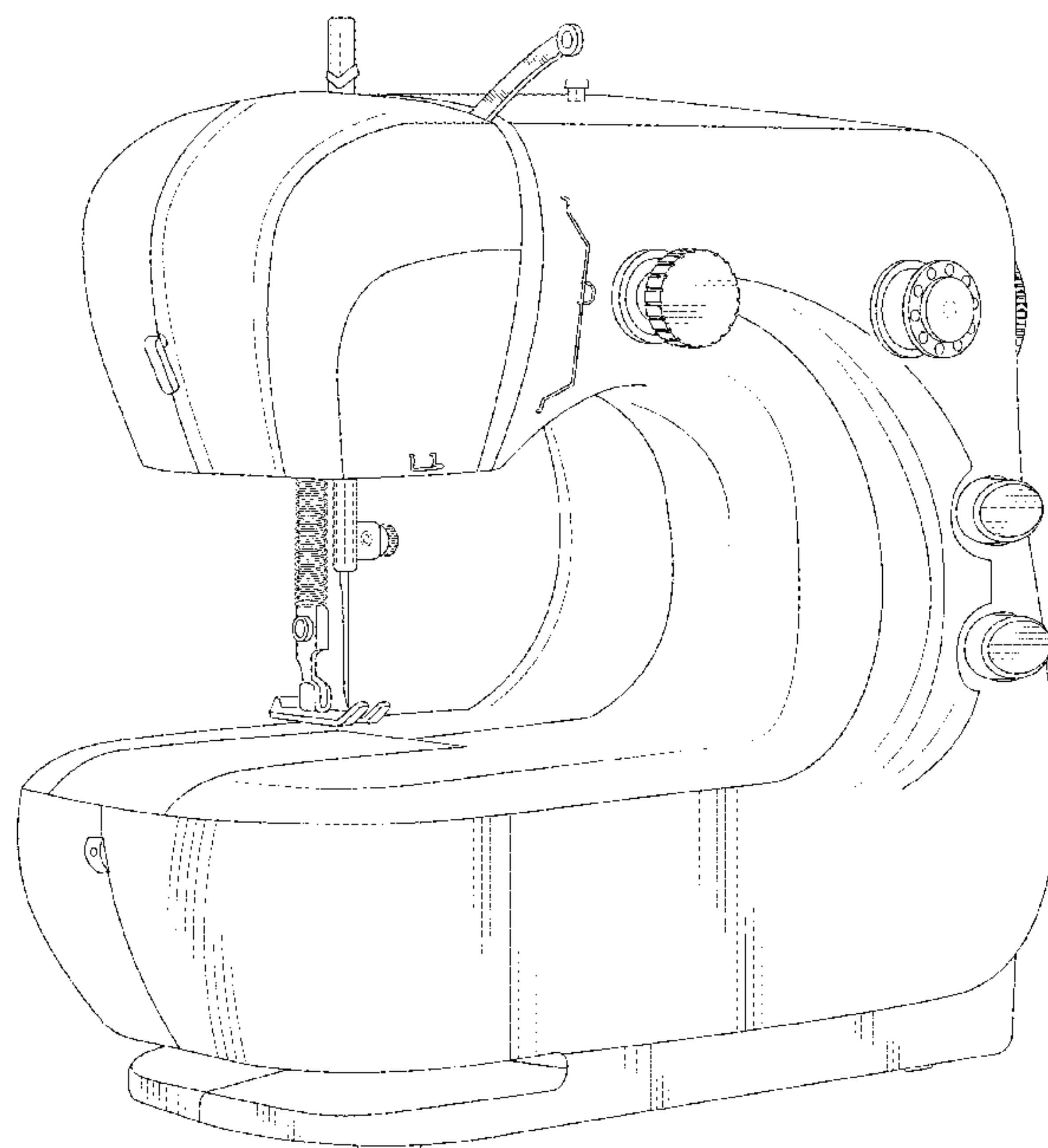
(57) **CLAIM**

I claim the ornamental design for a sewing machine, as shown and described.

**DESCRIPTION**

FIG. 1 is a Perspective view of a sewing machine showing my new design;  
FIG. 2 is a Front view thereof;  
FIG. 3 is a Back view thereof;  
FIG. 4 is a Left-side view thereof;  
FIG. 5 is a Right-side view thereof;  
FIG. 6 is a Top view thereof; and,  
FIG. 7 is a Bottom view thereof.  
The broken lines shown on the drawing views form no part of the claimed design.

**1 Claim, 7 Drawing Sheets**



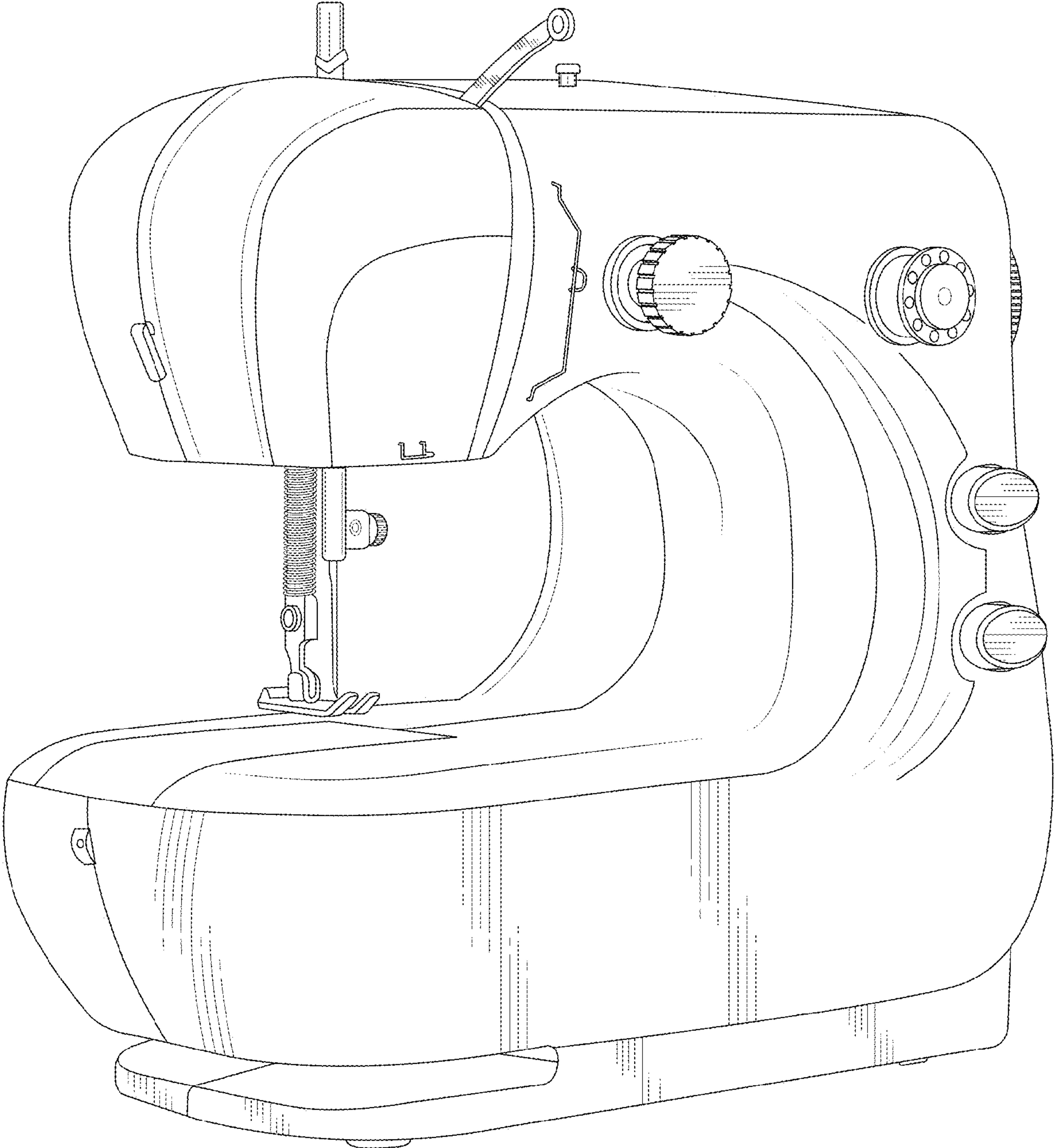


FIG. 1

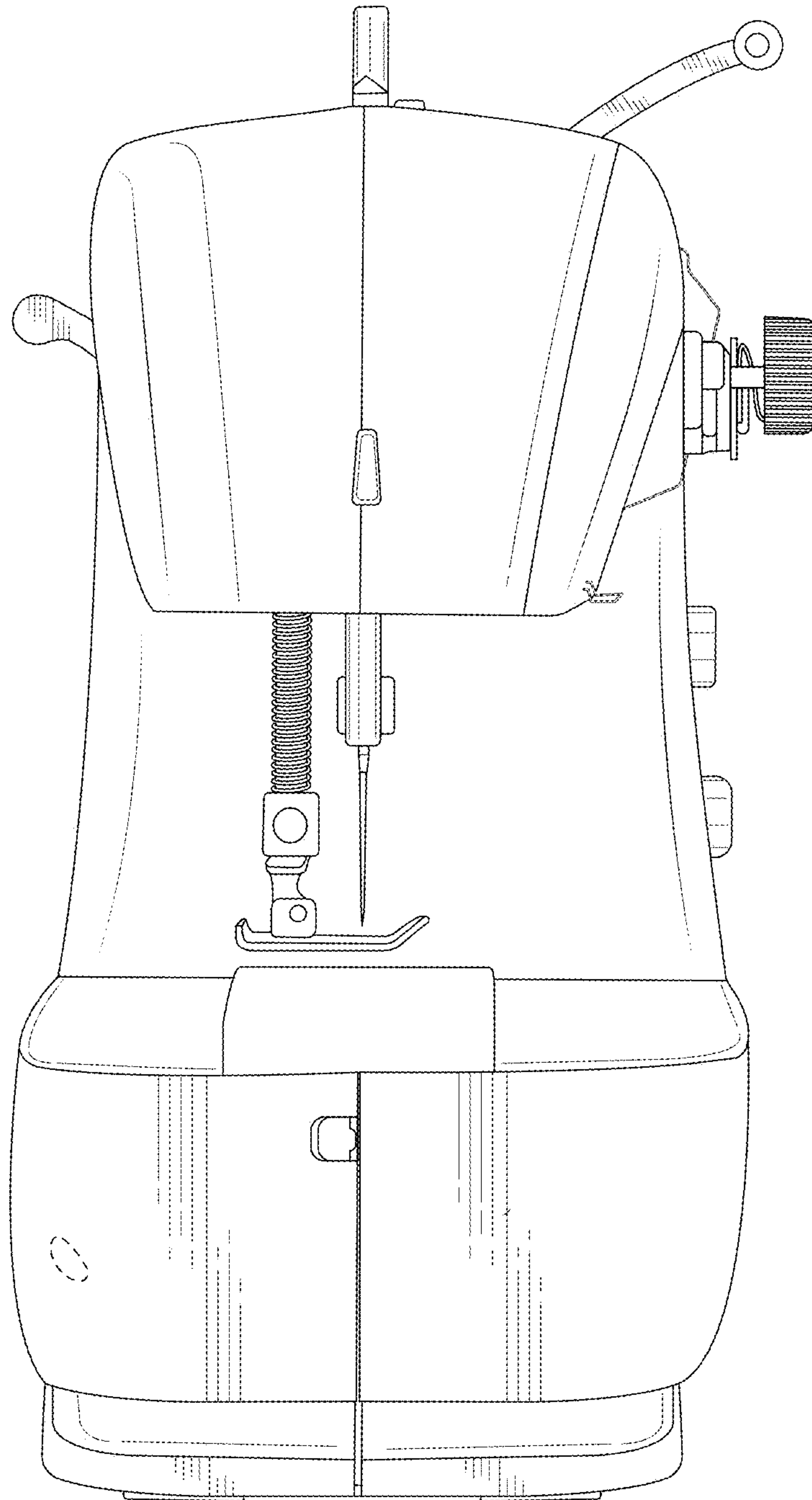


FIG. 2

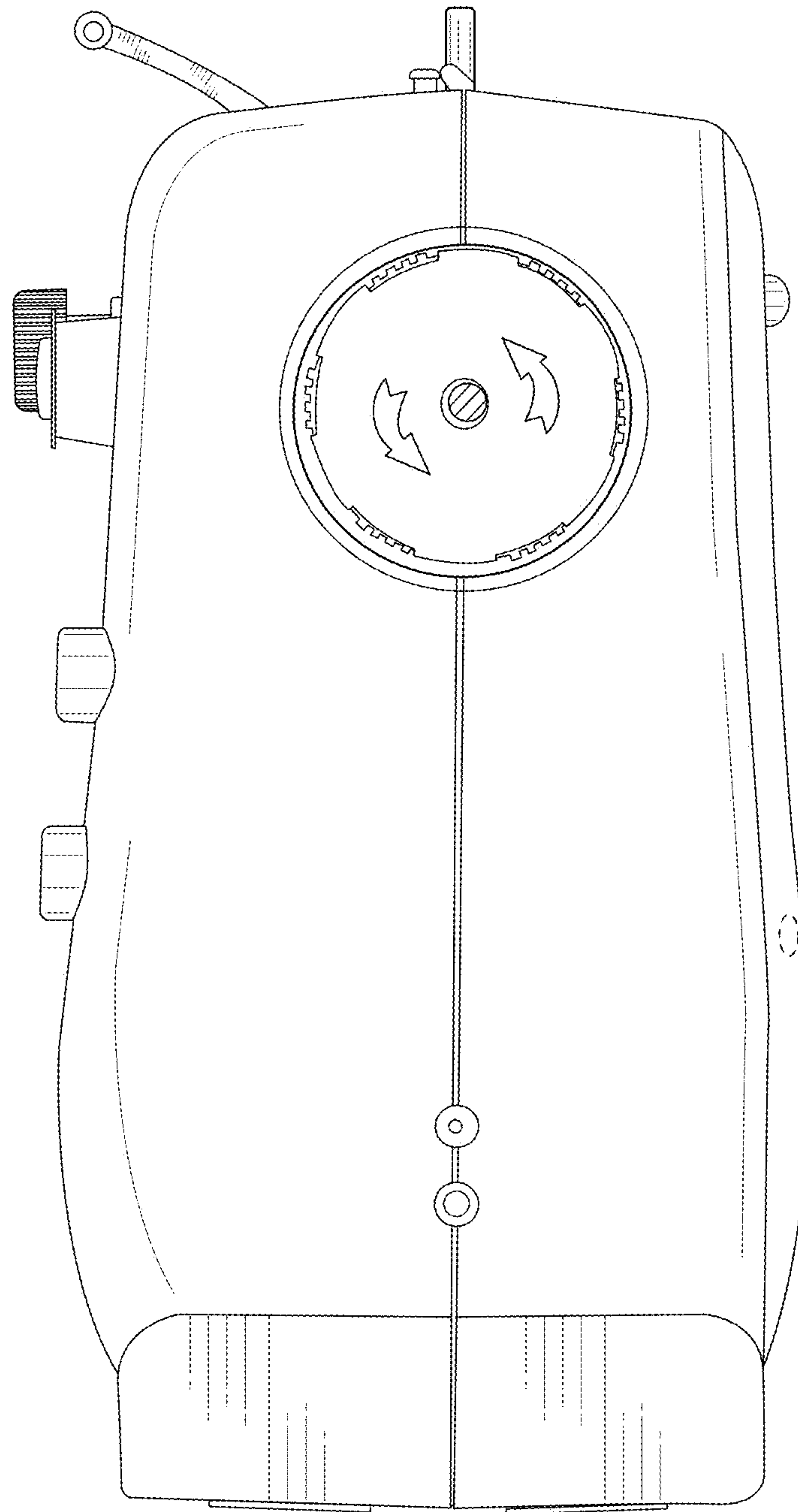


FIG. 3

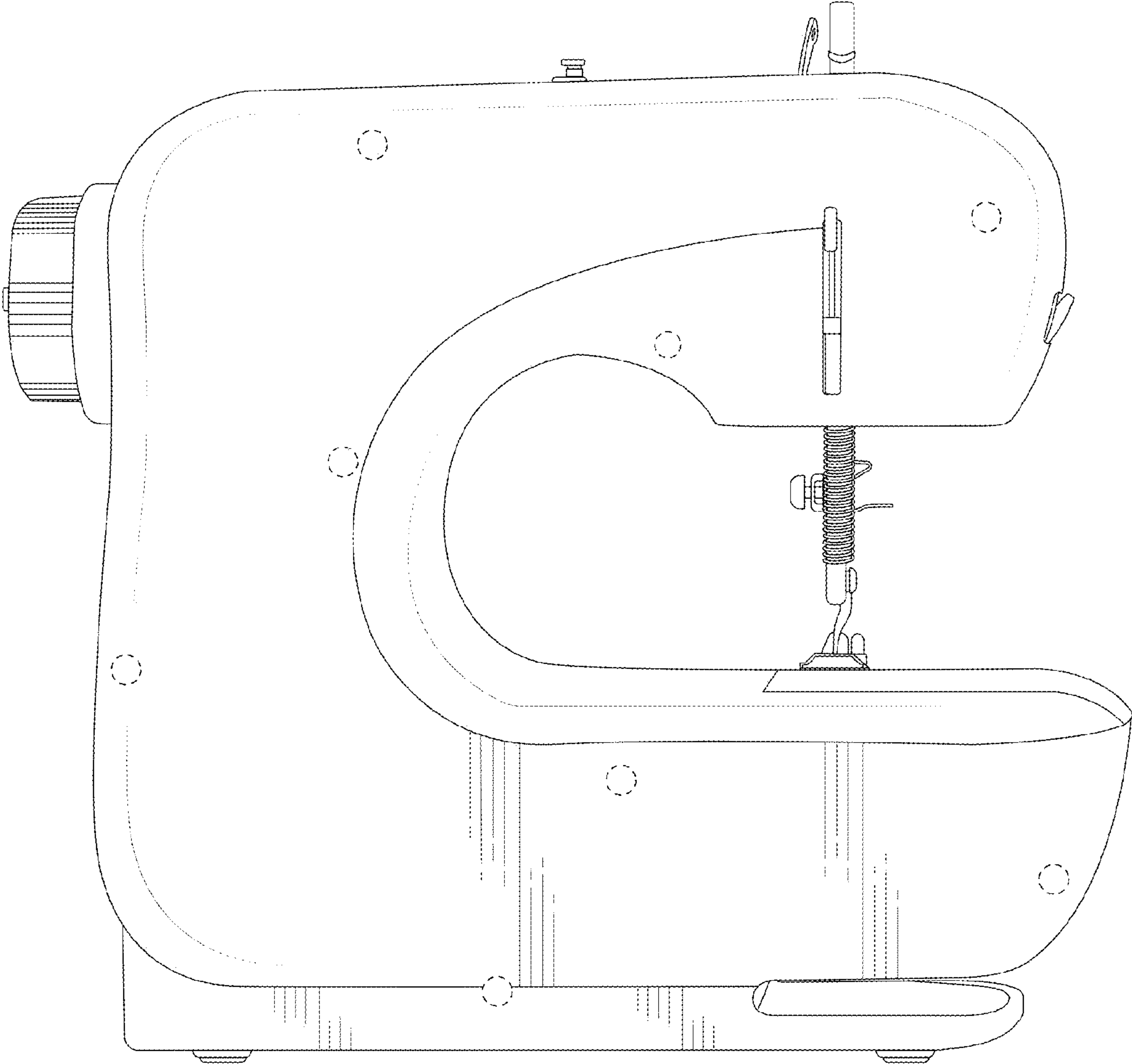


FIG. 4



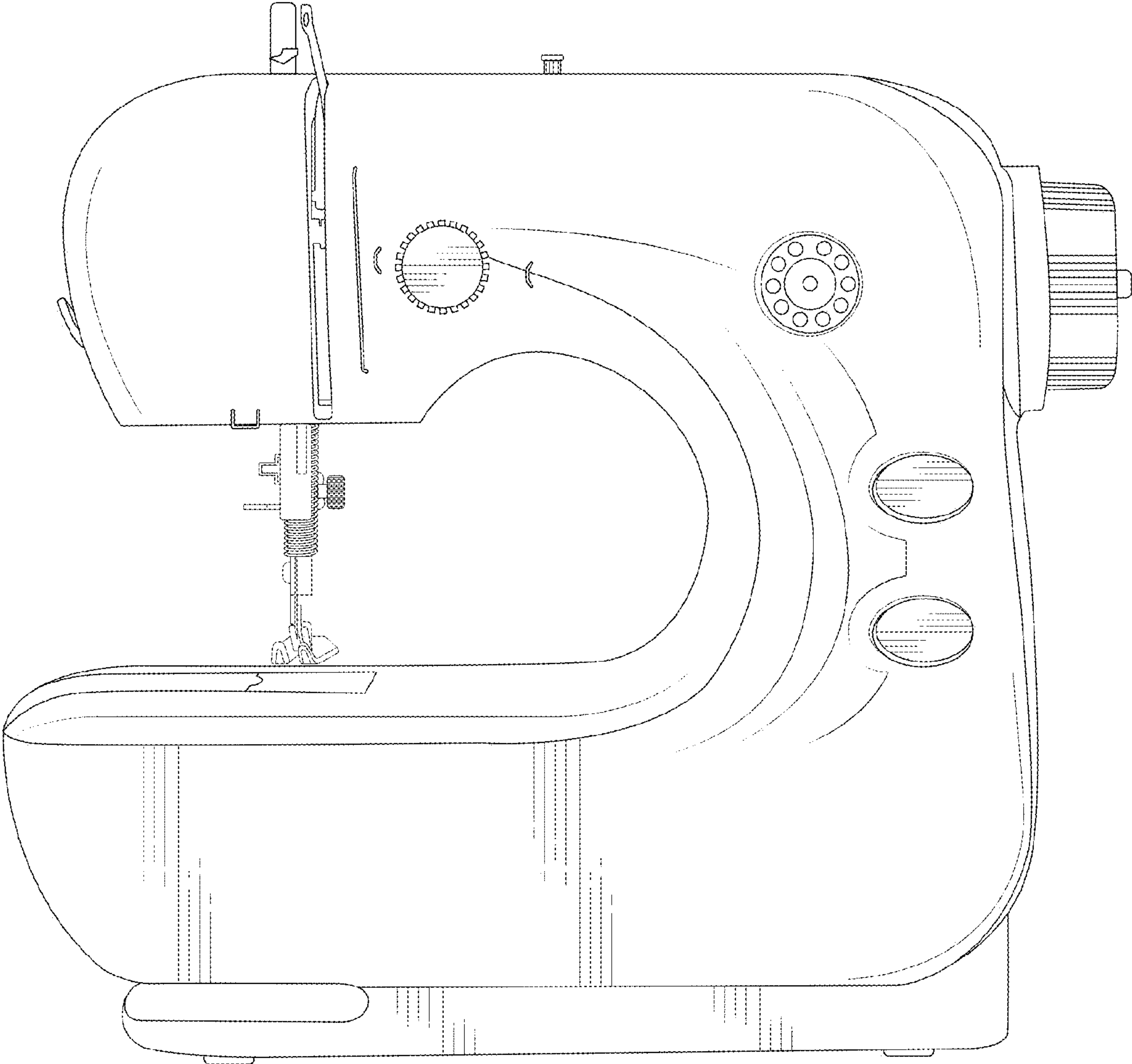


FIG. 5

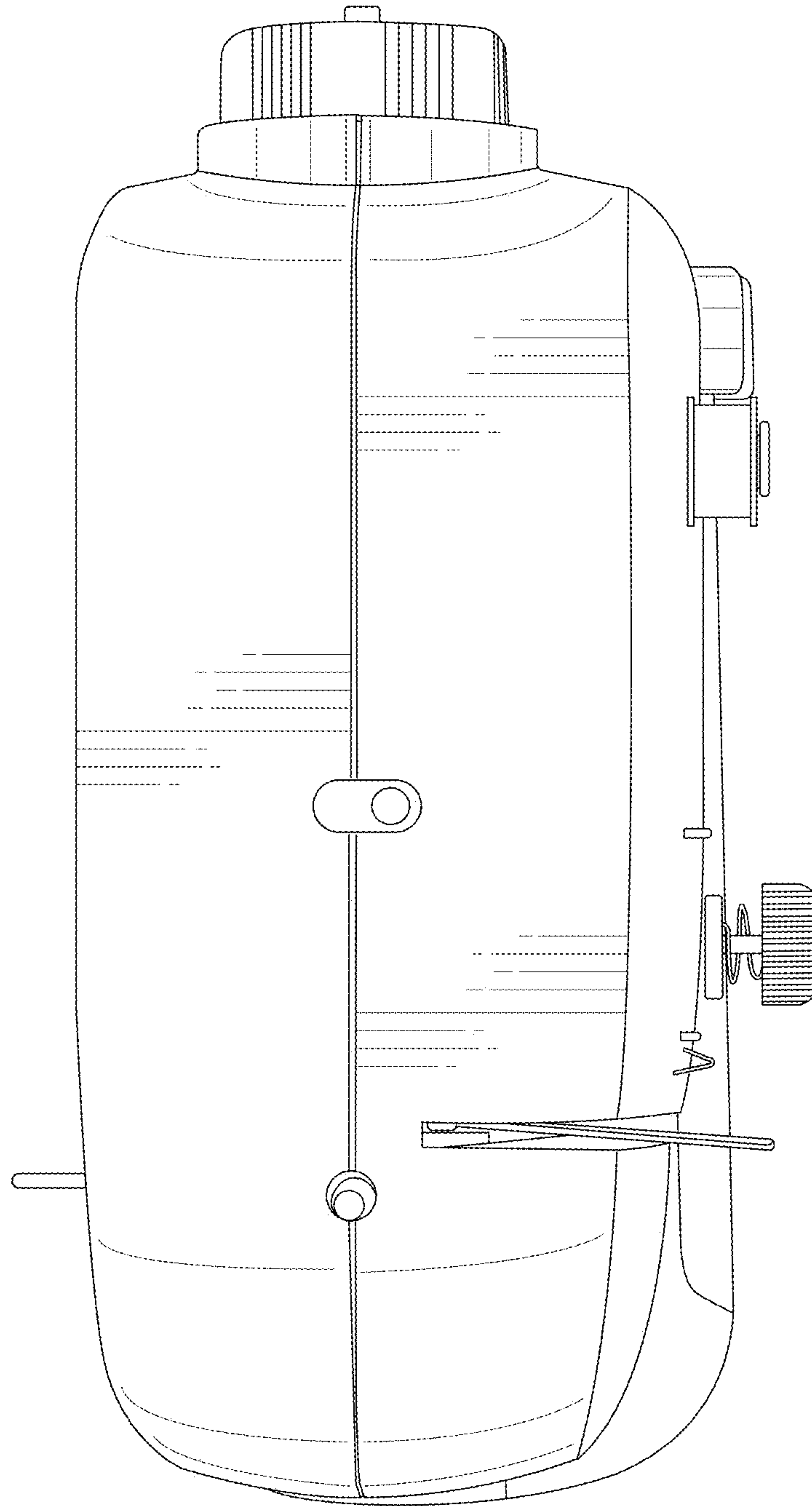


FIG. 6

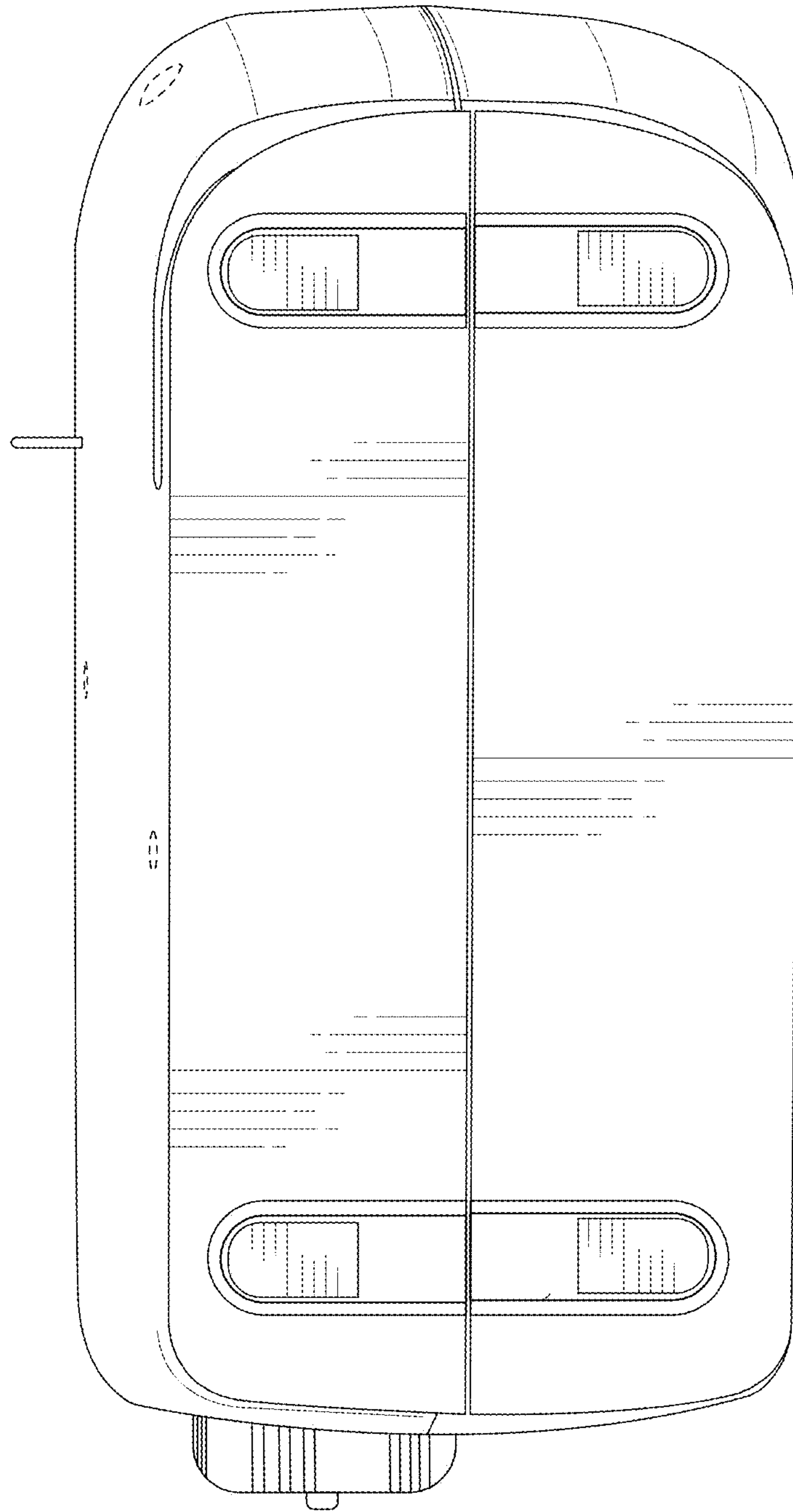


FIG. 7