



US00D914770S

(12) **United States Design Patent** (10) **Patent No.:** **US D914,770 S**
Grobe (45) **Date of Patent:** **** Mar. 30, 2021**

(54) **COVER HOOD**

(71) Applicant: **Dürr Systems AG,**
Bietigheim-Bissingen (DE)

(72) Inventor: **Stefan Grobe,** Tübingen/Dettenhausen
(DE)

(73) Assignee: **Dürr Systems AG**

(**) Term: **15 Years**

(21) Appl. No.: **29/644,892**

(22) Filed: **Apr. 20, 2018**

(30) **Foreign Application Priority Data**

Oct. 20, 2017 (EM) 004414373

(51) **LOC (13) Cl.** **15-03**

(52) **U.S. Cl.**
USPC **D15/31**

(58) **Field of Classification Search**
USPC D15/22-26, 27, 28, 31; D12/163, 216,
D12/190, 400, 172, 223, 194; 180/89.1,
180/89.12, 89.13, 89.16, 89.19, 89.18,
180/68.6; 296/190.01, 190.08, 190.04,
296/193.1; 37/379; 414/163, 216;
D23/388

CPC B60R 19/52; F01N 3/2892; F01N 3/2066;
F01N 13/02

See application file for complete search history.

(56) **References Cited**

U.S. PATENT DOCUMENTS

D224,650 S * 8/1972 Farmington et al. D15/31
D294,707 S * 3/1988 Cameron D15/31
D327,276 S * 6/1992 Sorensen D12/163
D356,584 S * 3/1995 Innes D15/17
D382,279 S * 8/1997 Goebert D15/17
D448,037 S * 9/2001 Westimayer D15/31

D456,822 S * 5/2002 Westimayer D15/31
D498,485 S * 11/2004 Kuwae D15/31
D499,750 S * 12/2004 Mistry D15/31
D500,772 S * 1/2005 Montgomery D15/31
D508,499 S * 8/2005 Kurtz, Jr. D15/31
D520,527 S * 5/2006 Crookes D15/31
D521,532 S * 5/2006 Higashikawa D15/31
D533,882 S * 12/2006 Higashikawa D15/31
D559,869 S * 1/2008 Kelley D12/163
D560,050 S * 1/2008 Tokach D15/31
D578,274 S * 10/2008 Tokach D15/31
D591,777 S * 5/2009 Kokitkar D15/31
D597,106 S * 7/2009 Kelley D12/163
D620,503 S * 7/2010 Krogh D15/31
D620,955 S * 8/2010 Krogh D15/31
D622,295 S * 8/2010 Ryczek D15/31

(Continued)

Primary Examiner — Mark A Goodwin

(74) *Attorney, Agent, or Firm* — Hanley, Flight &
Zimmerman, LLC

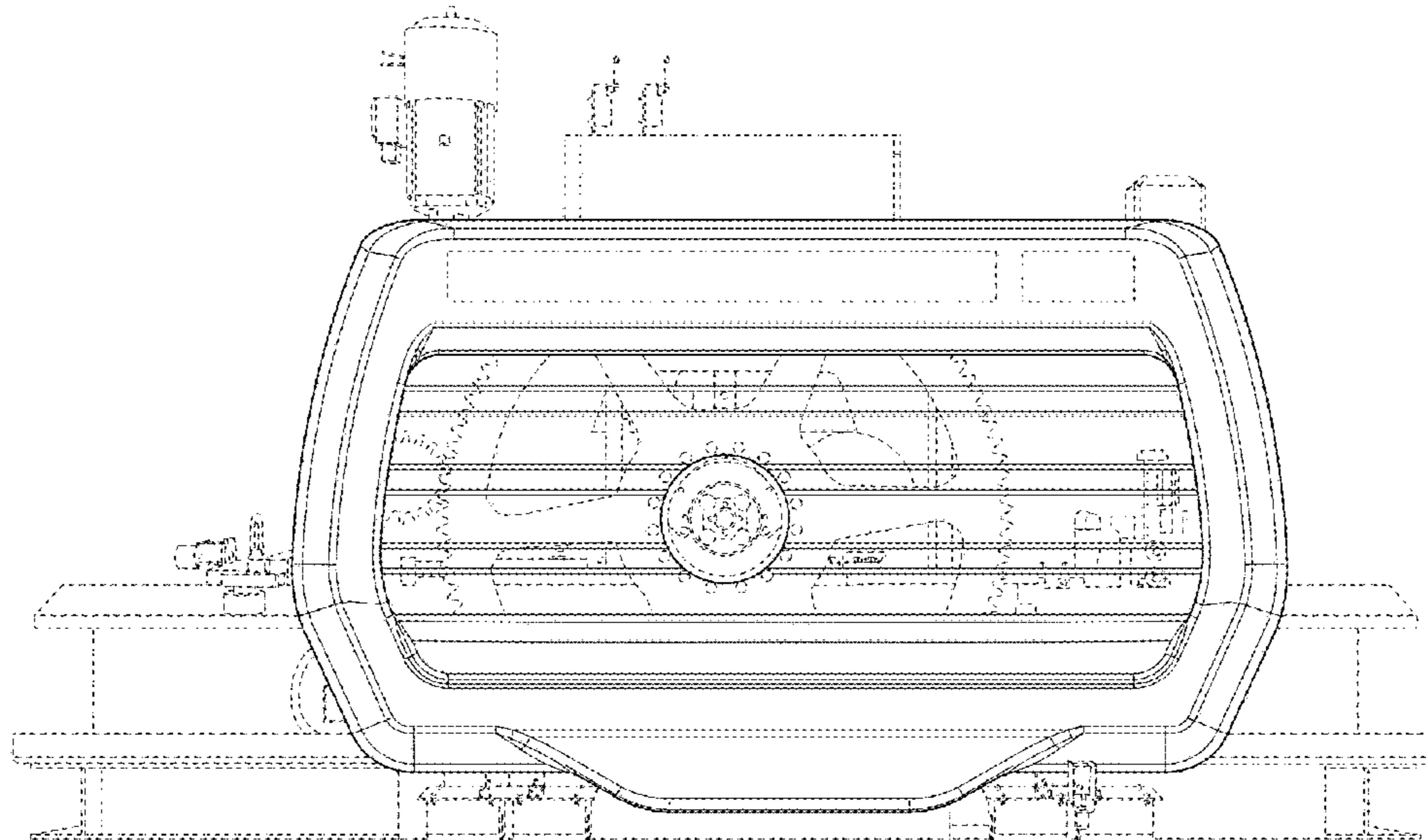
(57) **CLAIM**

The ornamental design for a “cover hood”, as shown and
described.

DESCRIPTION

FIG. 1 is a front view of a cover hood.
FIG. 2 is a front right perspective view of the cover hood of
FIG. 1.
FIG. 3 is a right view of the cover hood of FIG. 1.
FIG. 4 is a rear view of the cover hood of FIG. 1.
FIG. 5 is a left view of the cover hood of FIG. 1.
FIG. 6 is a rear left perspective view of the cover hood of
FIG. 1.
FIG. 7 is a front left perspective view of the cover hood of
FIG. 1; and,
FIG. 8 is a right rear perspective view of the cover hood of
FIG. 1.
The features shown in broken lines form no part of the
claimed design.

1 Claim, 8 Drawing Sheets



(56)

References Cited

U.S. PATENT DOCUMENTS

D624,567 S *	9/2010	Kelley	D15/33	D751,611 S *	3/2016	Smith	D15/31
D629,818 S *	12/2010	Rummer	D15/31	D755,256 S *	5/2016	Okuyama	D15/31
D631,489 S *	1/2011	Booth	D15/31	D757,826 S *	5/2016	Hartz	D15/31
D632,312 S *	2/2011	Booth	D15/31	D762,740 S *	8/2016	Okuyama	D15/31
D632,313 S *	2/2011	Kelley	D15/33	D765,740 S *	9/2016	Jackson	D15/31
D635,592 S *	4/2011	Shimomura	D15/28	D766,339 S *	9/2016	Hanke	D15/31
D643,444 S *	8/2011	Colvin	D15/31	D766,340 S *	9/2016	Jackson	D15/31
D646,305 S *	10/2011	Krogh	D15/31	D766,341 S *	9/2016	Jacobsthal	D15/31
D655,317 S *	3/2012	Hagele	D15/31	D768,210 S *	10/2016	Jacobsthal	D15/31
D655,318 S *	3/2012	Hagele	D15/31	D772,309 S *	11/2016	Underhill	D15/31
D655,320 S *	3/2012	Hiraoka	D15/31	D777,219 S *	1/2017	Hanke	D15/31
D657,400 S *	4/2012	Loew	D15/31	D777,220 S *	1/2017	Powell	D15/31
D660,323 S *	5/2012	Hiraoka	D15/31	D778,963 S *	2/2017	Yang	D15/31
D668,694 S *	10/2012	Tezuka	D15/31	D784,426 S *	4/2017	Okuyama	D15/31
D670,746 S *	11/2012	Ewringmann	D15/31	D785,053 S *	4/2017	Okuyama	D15/31
D675,234 S *	1/2013	Kushita	D15/31	D785,681 S *	5/2017	Okuyama	D15/31
D676,466 S *	2/2013	Ewringmann	D15/31	D786,945 S *	5/2017	Smith	D15/31
D706,841 S *	6/2014	Shimomura	D15/31	D789,427 S *	6/2017	Jackson	D15/31
D708,233 S *	7/2014	Furuki	D15/31	D792,483 S *	7/2017	Jackson	D15/31
D711,930 S *	8/2014	Kuwae	D15/31	D795,308 S *	8/2017	Sauvaget	D15/31
D714,838 S *	10/2014	Shimomura	D15/31	D795,309 S *	8/2017	Sauvaget	D15/31
D715,333 S *	10/2014	Jacobsthal	D15/31	D797,161 S *	9/2017	Buxton	D15/31
D716,348 S *	10/2014	Ryan	D15/31	D802,871 S *	11/2017	Knier	D34/35
D716,846 S *	11/2014	Carter	D15/31	D804,539 S *	12/2017	Okuyama	D15/31
D724,109 S *	3/2015	Haro	D15/31	D806,762 S *	1/2018	Loew	D15/31
D733,767 S *	7/2015	Kushita	D15/31	D814,531 S *	4/2018	Jacobsthal	D15/31
				D819,708 S *	6/2018	Ulmefors	D15/31
				D831,079 S *	10/2018	Ulmefors	D15/31
				D835,685 S *	12/2018	Niclot	D15/31

* cited by examiner

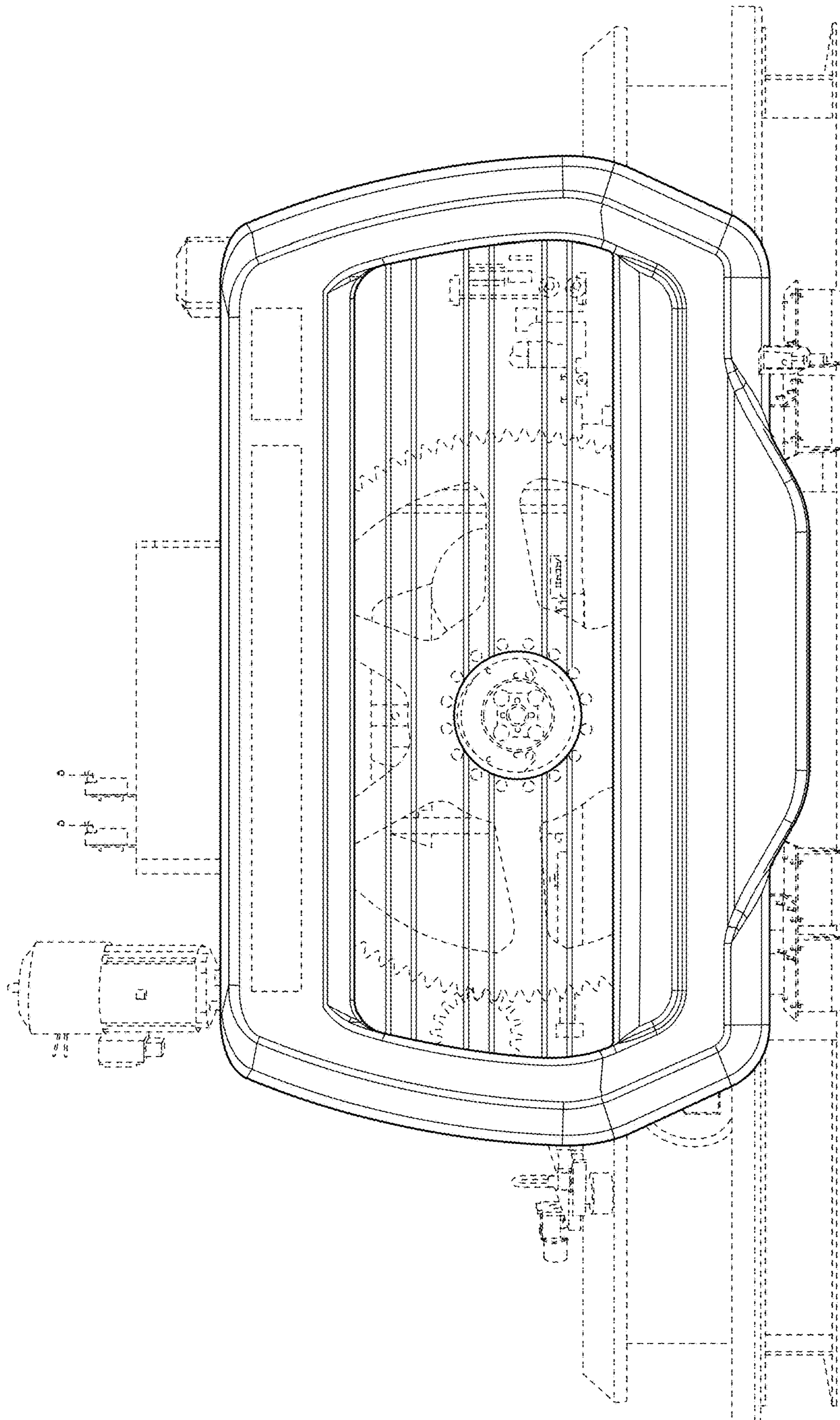


FIG. 1

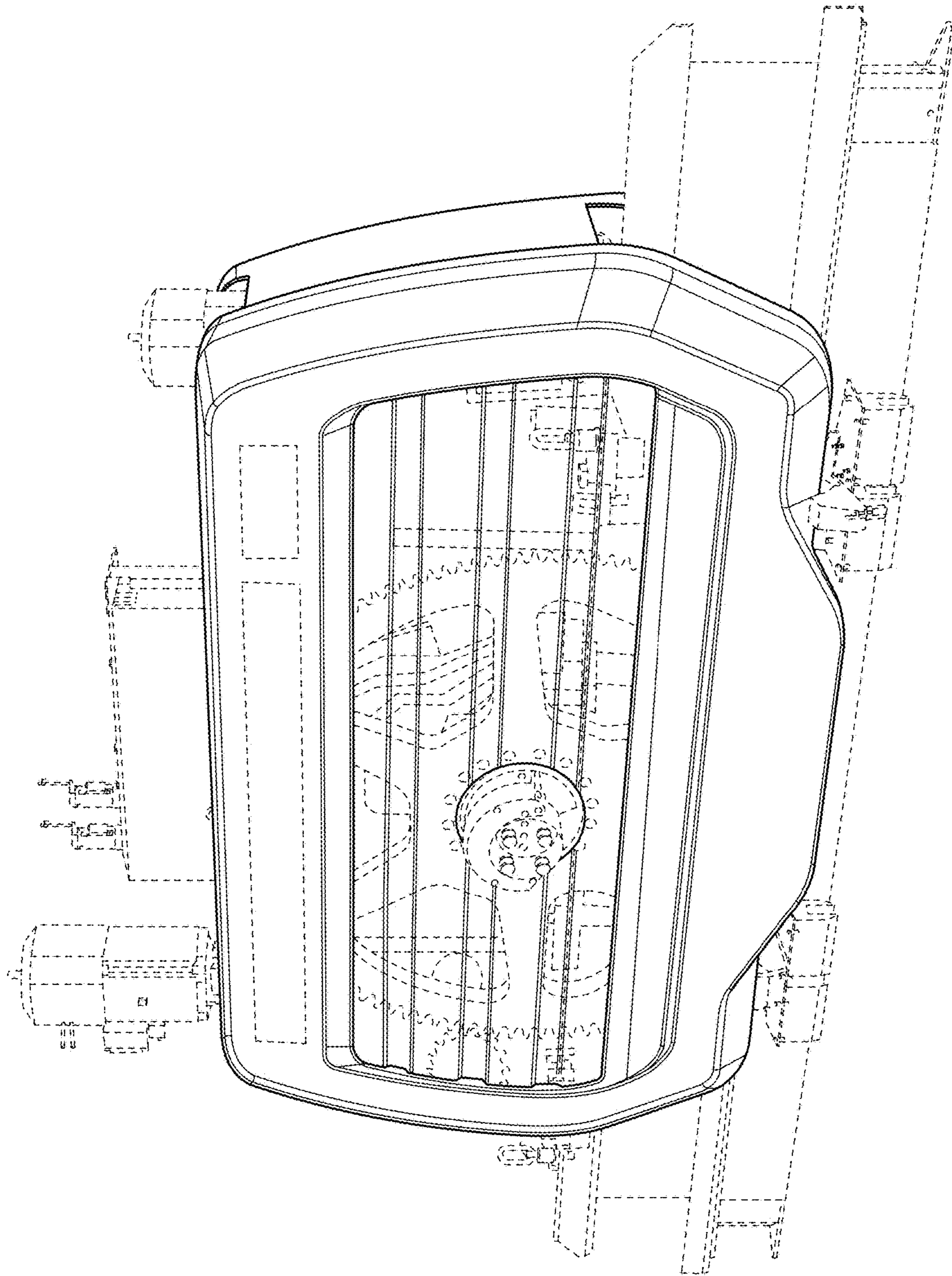


FIG. 2

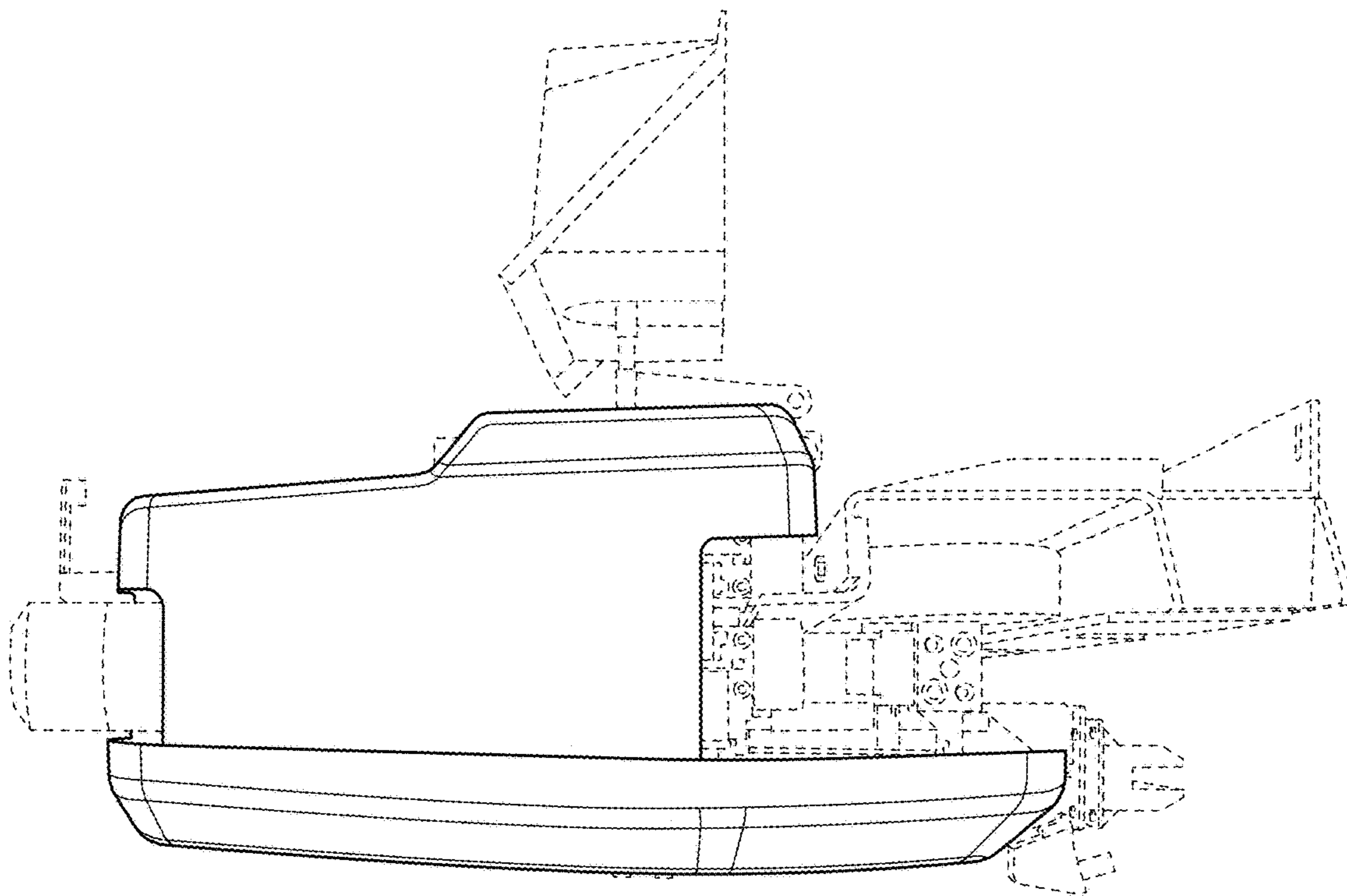


FIG. 3

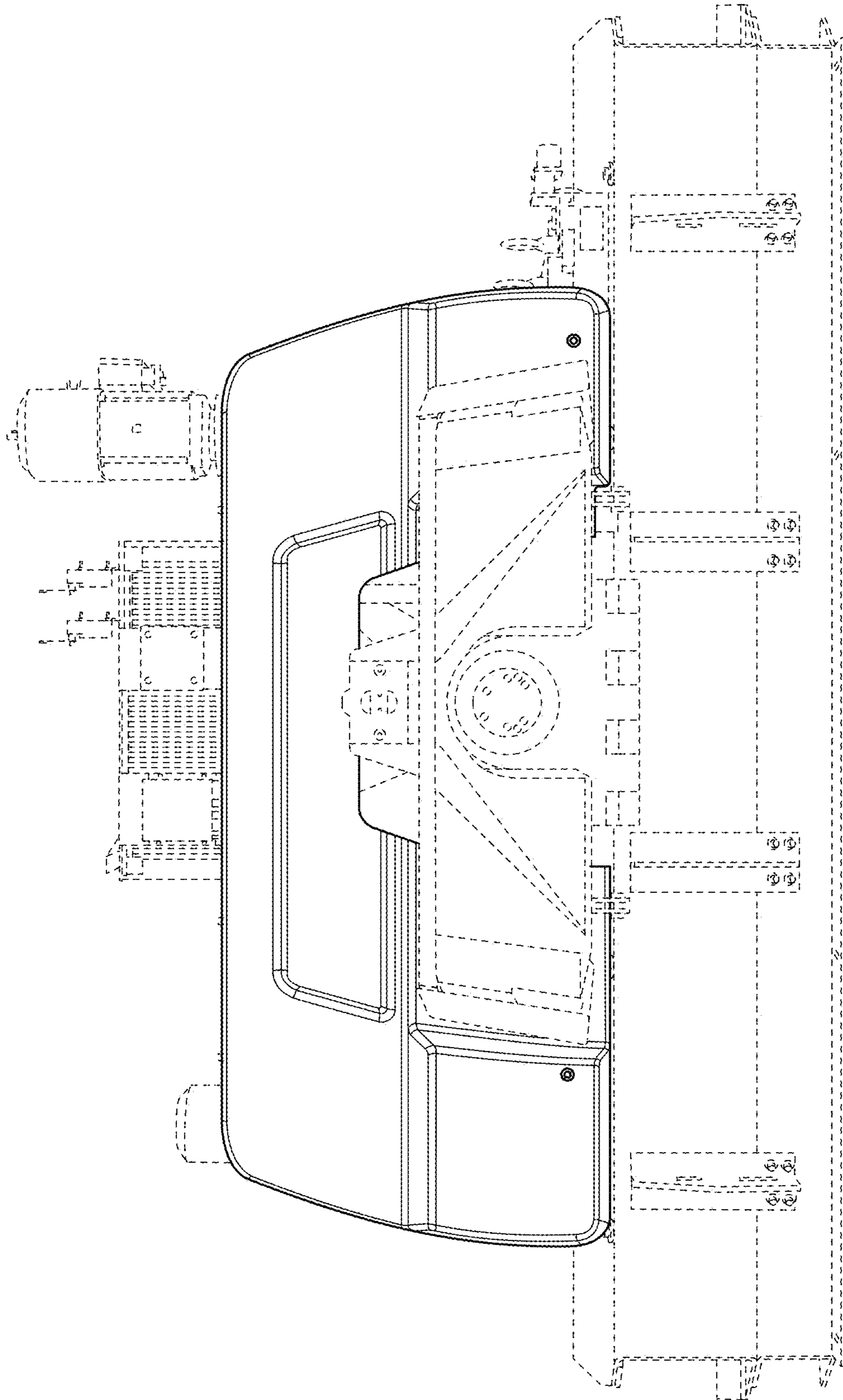


FIG. 4

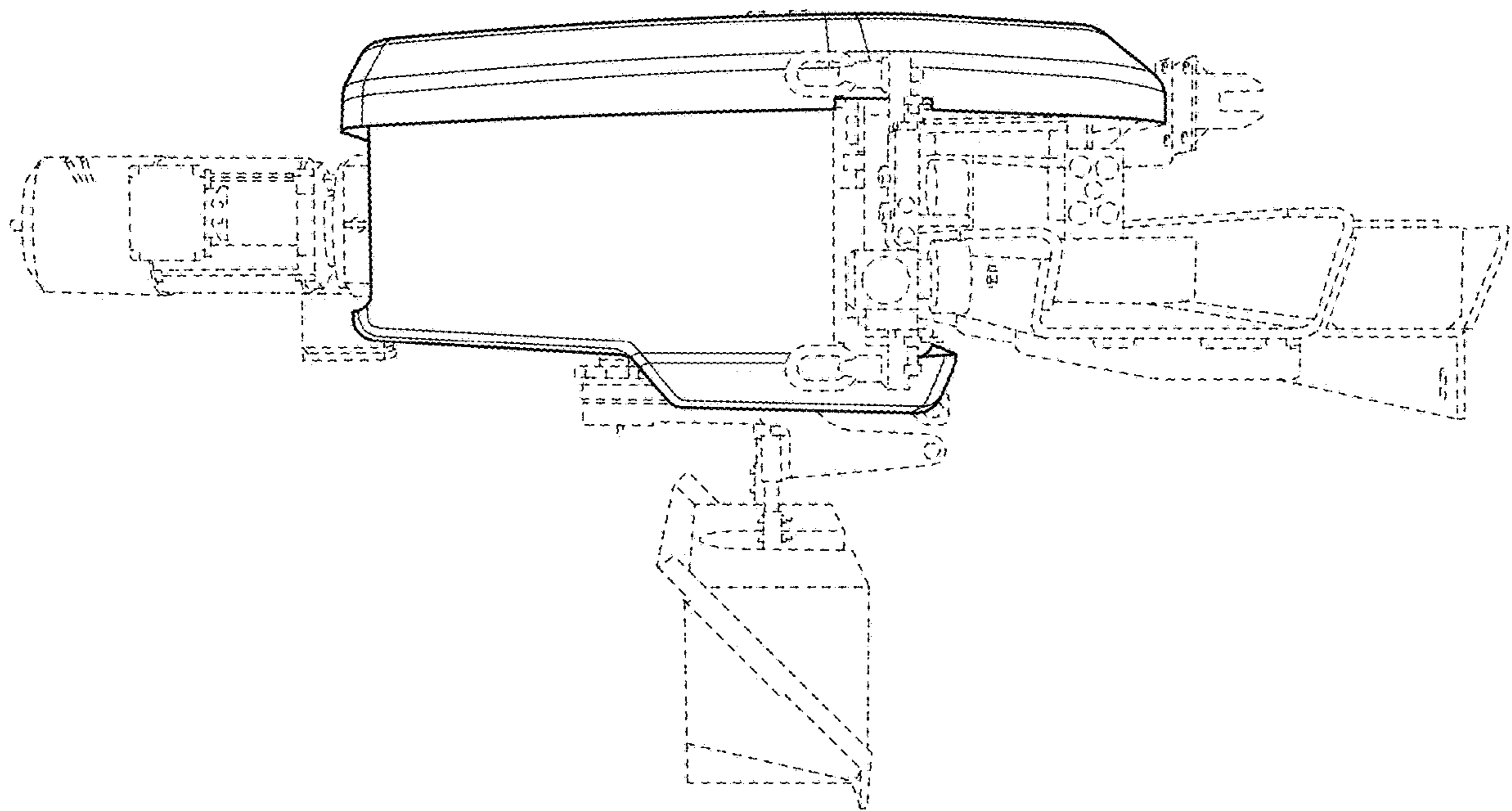


FIG. 5

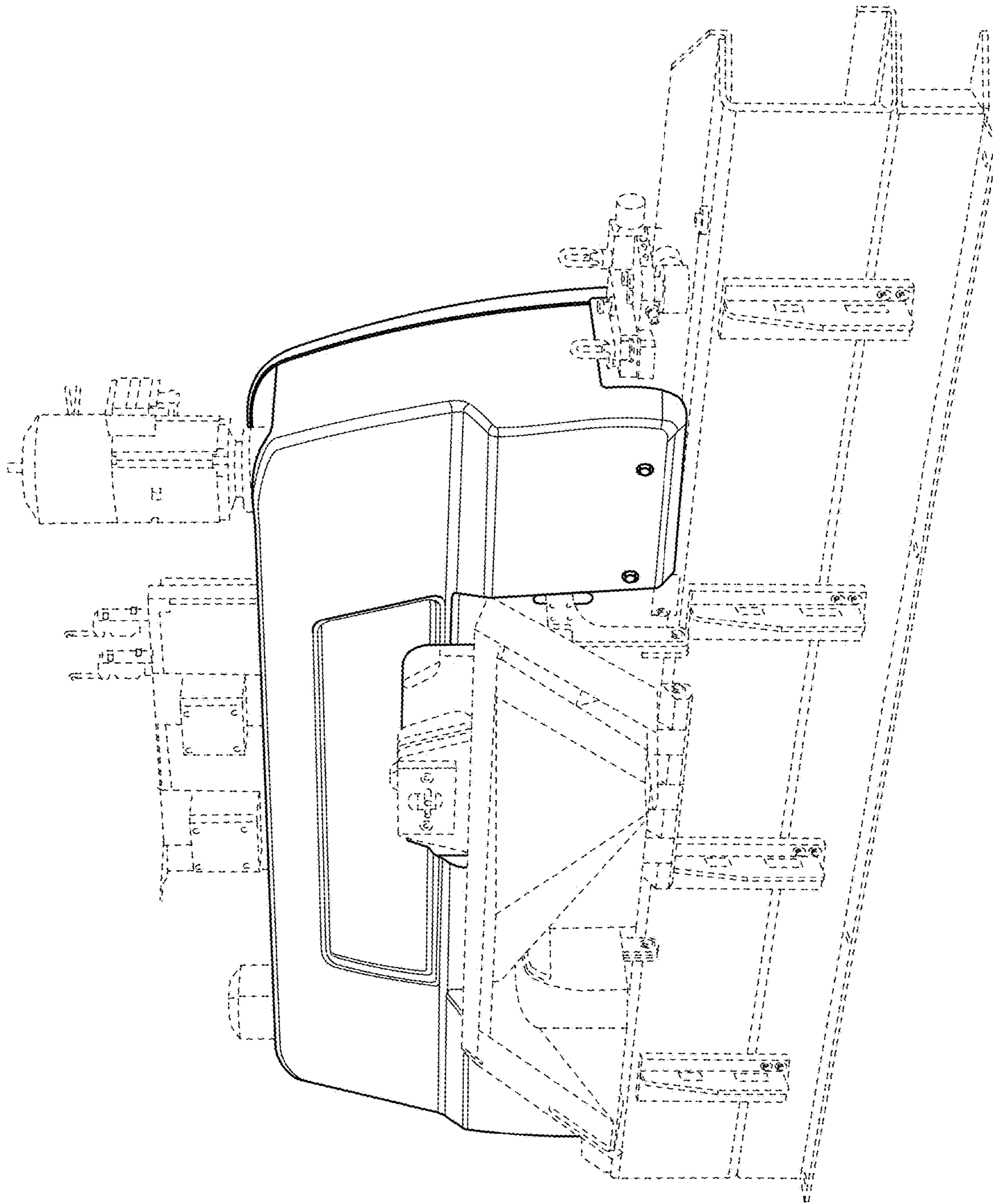


FIG. 6

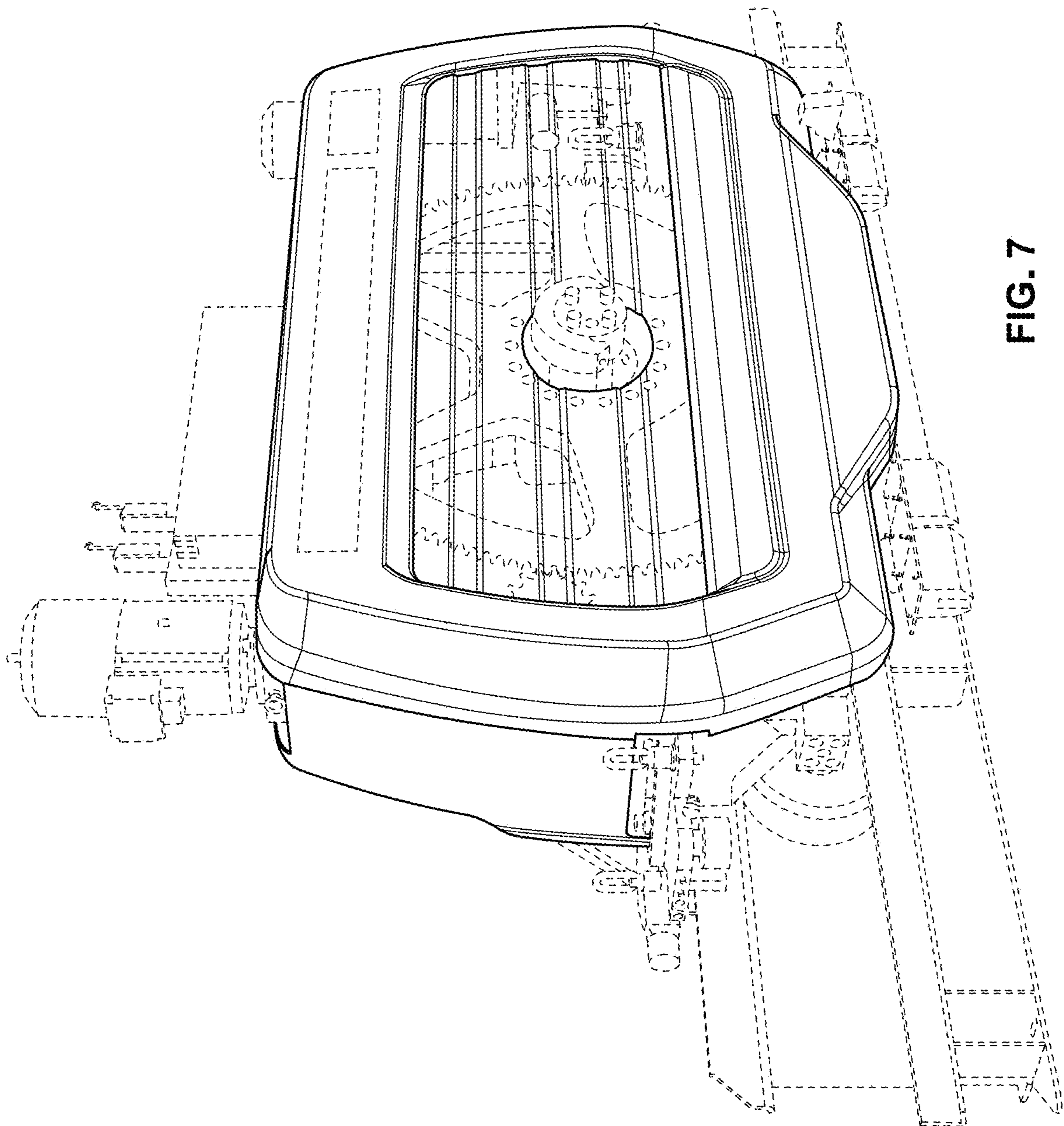


FIG. 7

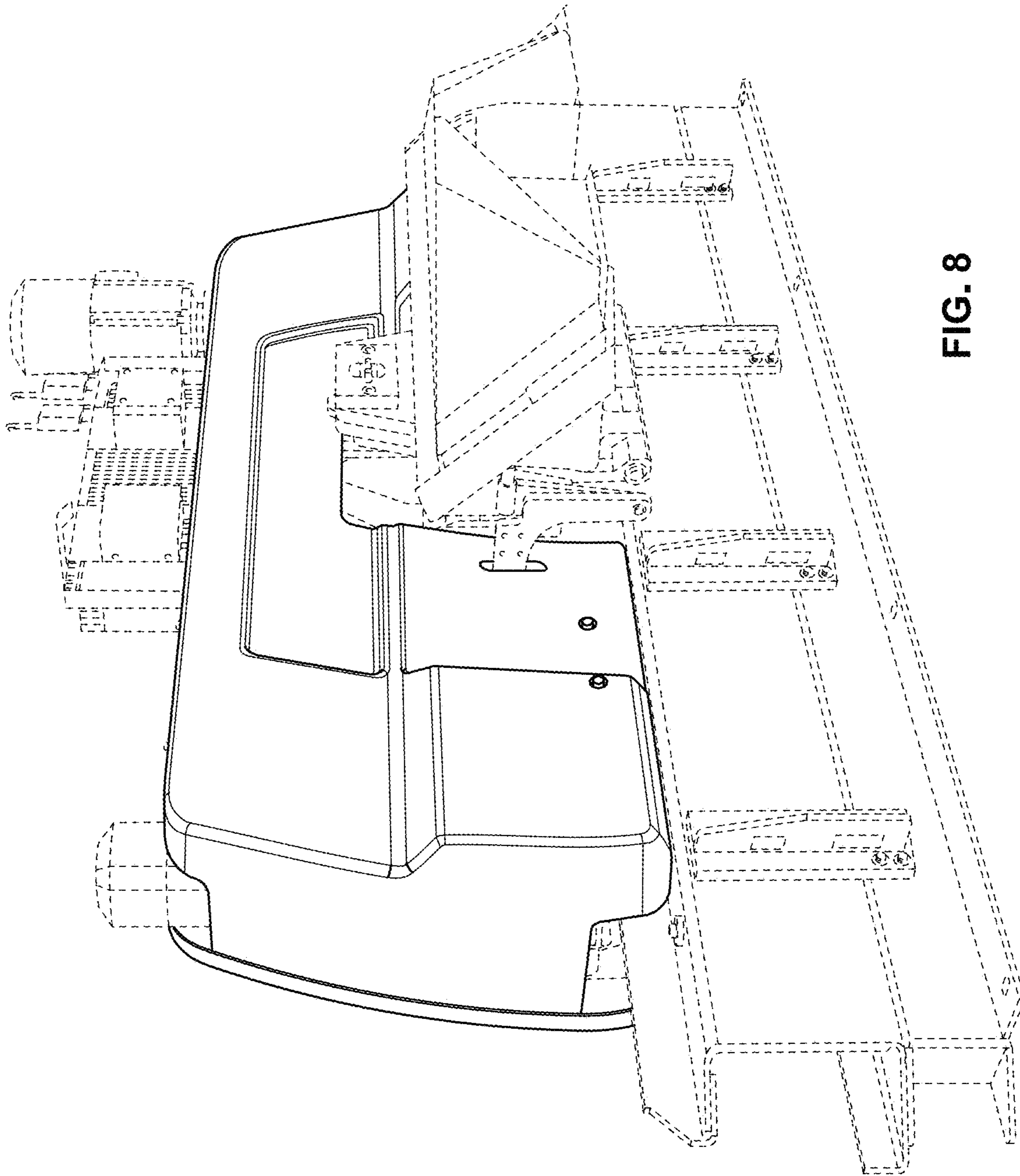


FIG. 8