



US00D914769S

(12) **United States Design Patent**
Marini

(10) **Patent No.:** **US D914,769 S**
(45) **Date of Patent:** **** Mar. 30, 2021**

(54) **TIRE SEALING AND INFLATION DEVICE**

(71) Applicant: **TEK GLOBAL S.R.L.**, Pesaro (IT)

(72) Inventor: **Maurizio Marini**, Pesaro (IT)

(73) Assignee: **TEK GLOBAL S.R.L.**, Pesaro (IT)

(**) Term: **15 Years**

(21) Appl. No.: **35/506,986**

(22) Filed: **Nov. 30, 2018**

(80) **Hague Agreement Data**

Int. Filing Date: **Nov. 30, 2018**

Int. Reg. No.: **DM/201422**

Int. Reg. Date: **Nov. 30, 2018**

Int. Reg. Pub. Date: **Jun. 28, 2019**

(51) **LOC (13) Cl.** **15-02**

(52) **U.S. Cl.**
USPC **D15/7**

(58) **Field of Classification Search**

USPC D15/7, 9, 199; D8/31

CPC B29C 73/025; B29C 73/166; B60S 5/046

See application file for complete search history.

(56) **References Cited**

U.S. PATENT DOCUMENTS

D599,389	S	*	9/2009	Eckhardt	D15/199
D613,320	S	*	4/2010	Marini	D15/199
D631,494	S	*	1/2011	Marini	D15/199
D645,056	S	*	9/2011	Marini	D15/9
D657,383	S	*	4/2012	Wang	D15/7
D842,354	S	*	3/2019	Marini	D15/199
D873,863	S	*	1/2020	Marini	D15/7
2008/0029181	A1	*	2/2008	Marini	B29C 73/025 141/38
2008/0277044	A1	*	11/2008	Marini	B29C 73/166 156/97
2009/0266440	A1	*	10/2009	Lolli	B60S 5/043 141/38
2011/0116941	A1	*	5/2011	Lolli	B29C 73/166 417/313

(Continued)

Primary Examiner — Eliza Z Bennett-Hattan

(74) *Attorney, Agent, or Firm* — Leason Ellis LLP

(57) **CLAIM**

The ornamental design for the tire sealing and inflation device, as shown and described.

DESCRIPTION

Tire sealing and inflation device

FIG. 1.1 is a top perspective view of a tire sealing and inflation device, showing a first embodiment;

FIG. 1.2 is a right lateral view;

FIG. 1.3 is a left lateral view;

FIG. 1.4 is a front elevation view;

FIG. 1.5 is a rear view;

FIG. 1.6 is a top plan view;

FIG. 1.7 is a bottom plan view;

FIG. 2.1 is a top perspective view of a tire sealing and inflation device, showing a second embodiment;

FIG. 2.2 is a right lateral view;

FIG. 2.3 is a left lateral view;

FIG. 2.4 is a front elevation view;

FIG. 2.5 is a rear view;

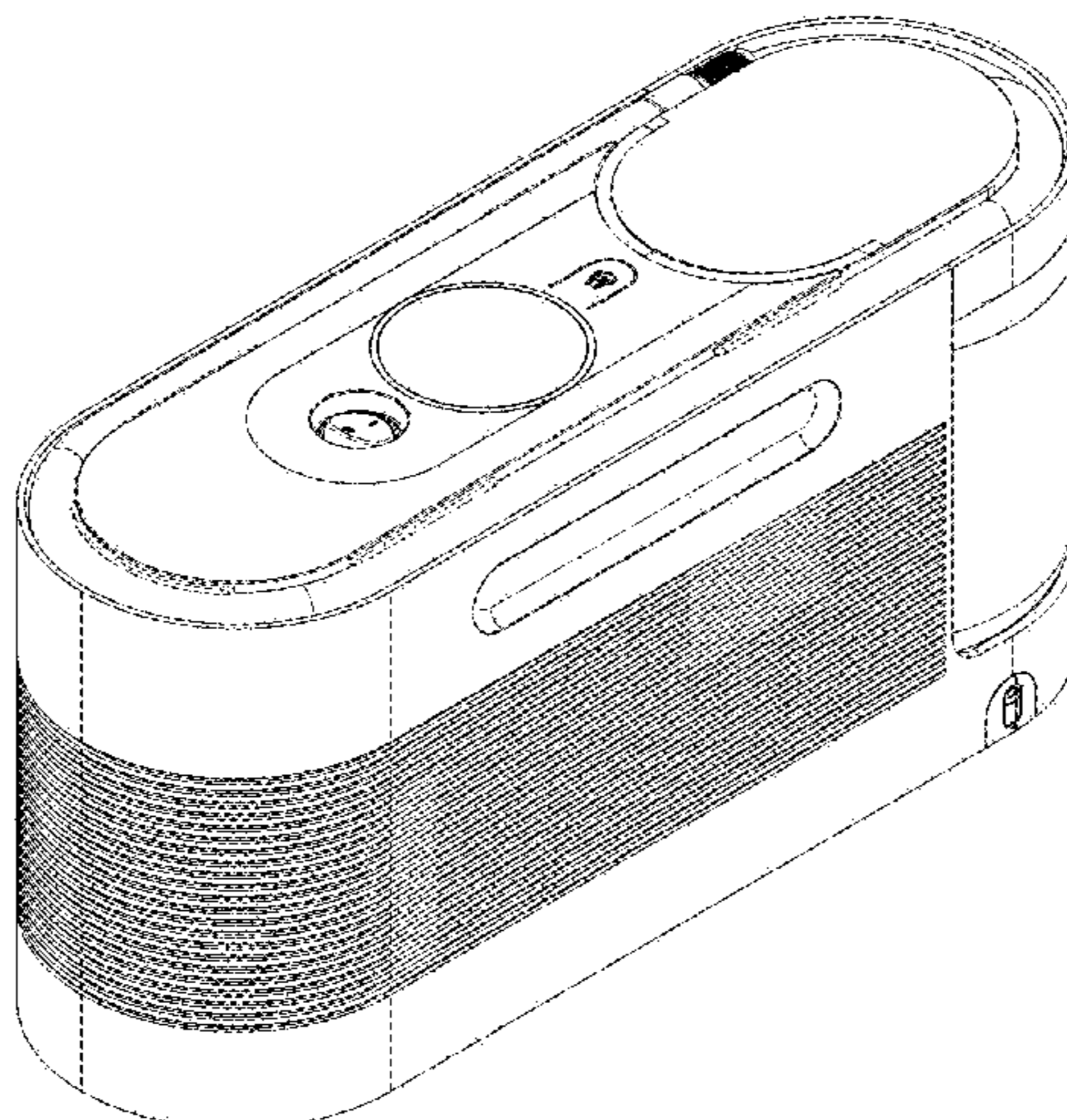
FIG. 2.6 is a top plan view; and

FIG. 2.7 is a bottom plan view.

The present application relates to a tire sealing and inflation device in which the broken line shown is for the purpose of illustrating portions which forms no part of the claimed designs and wherein: figure 1.1 is a top perspective view of the device according to a first design; figure 1.2 to figure 1.7 are respectively a right lateral, left lateral, front, rear, top and bottom views of the design of figure 1.1; same typology of views are provided for figure 2.1-2.7.

The broken-line showing of portions of the tire sealing and inflation device is included for the purpose of illustrating environmental structure and forms no part of the claimed design.

1 Claim, 14 Drawing Sheets



(56)

References Cited

U.S. PATENT DOCUMENTS

2011/0180180 A1* 7/2011 Lolli B29C 73/166
141/38
2016/0126765 A1* 5/2016 Marini H02J 7/007192
320/107

* cited by examiner

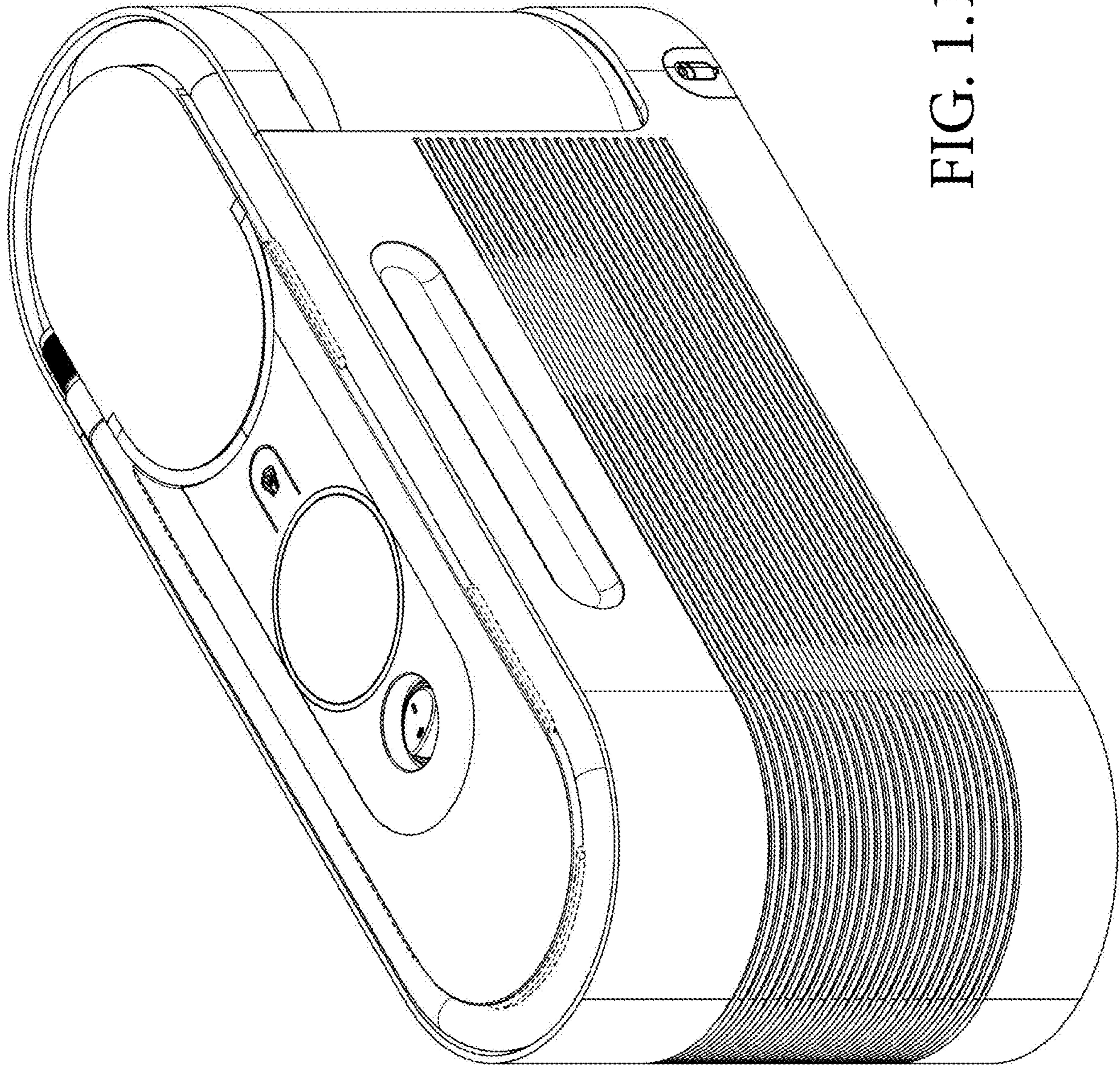


FIG. 1.1

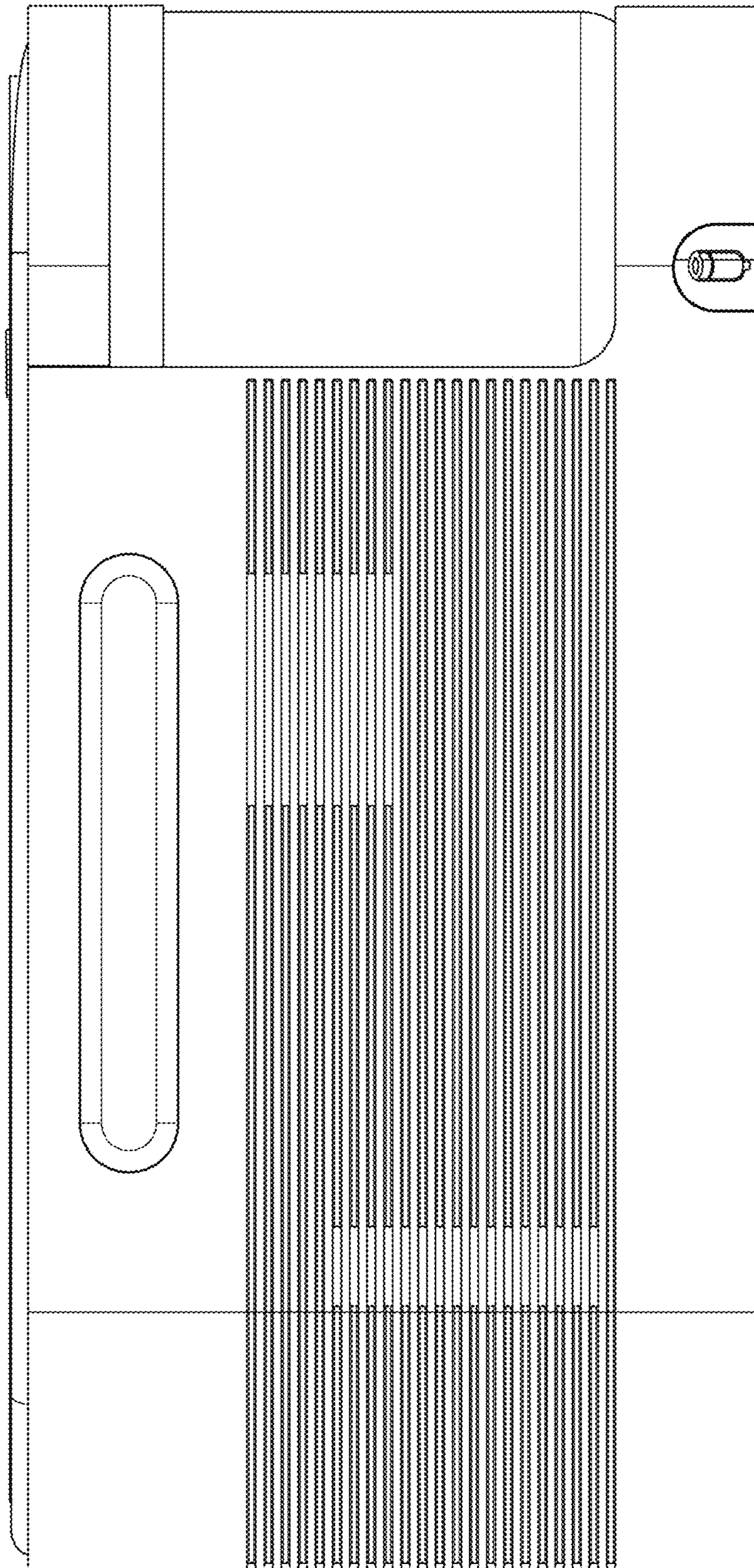


FIG. 1.2

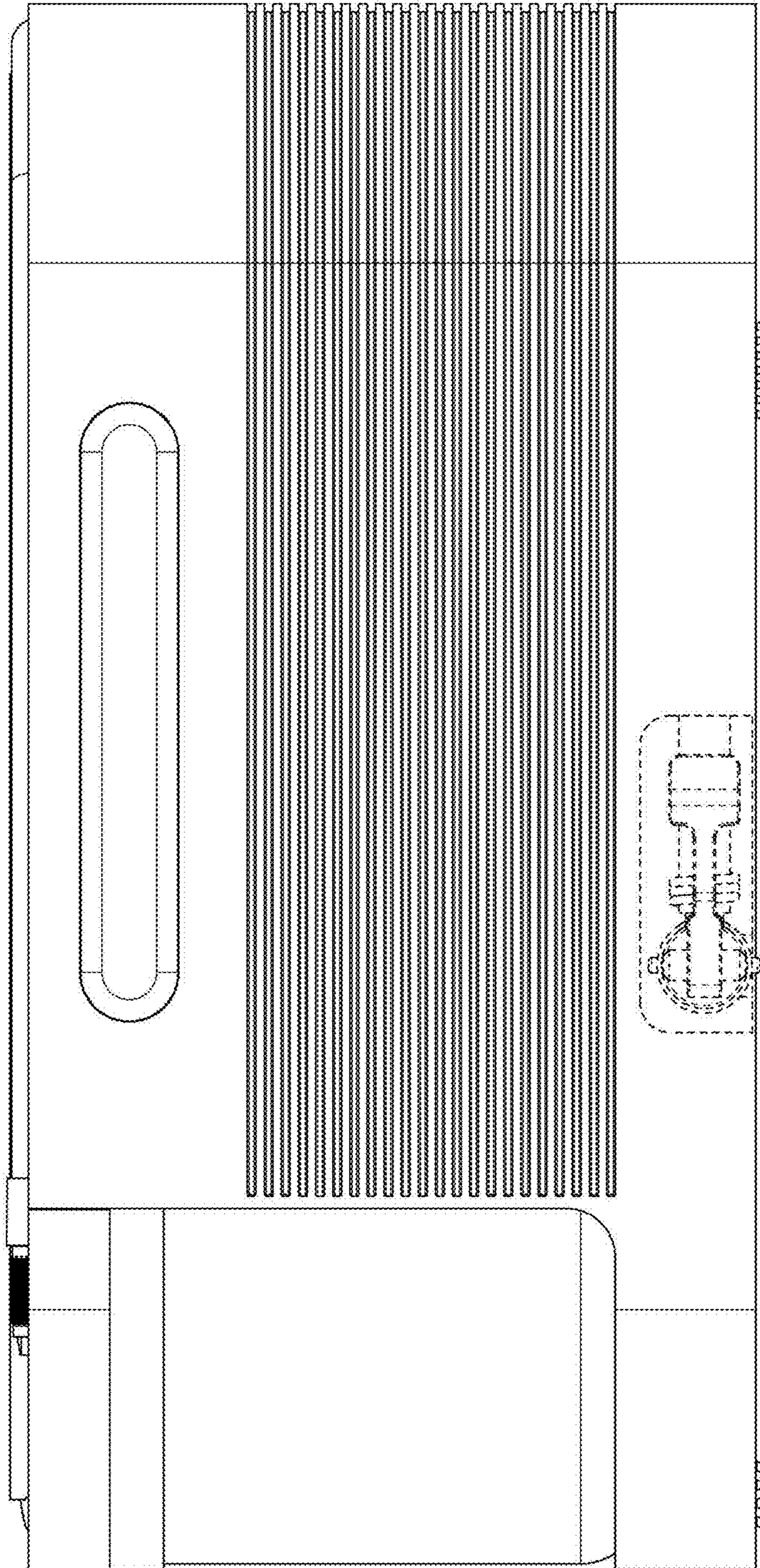


FIG. 1.3

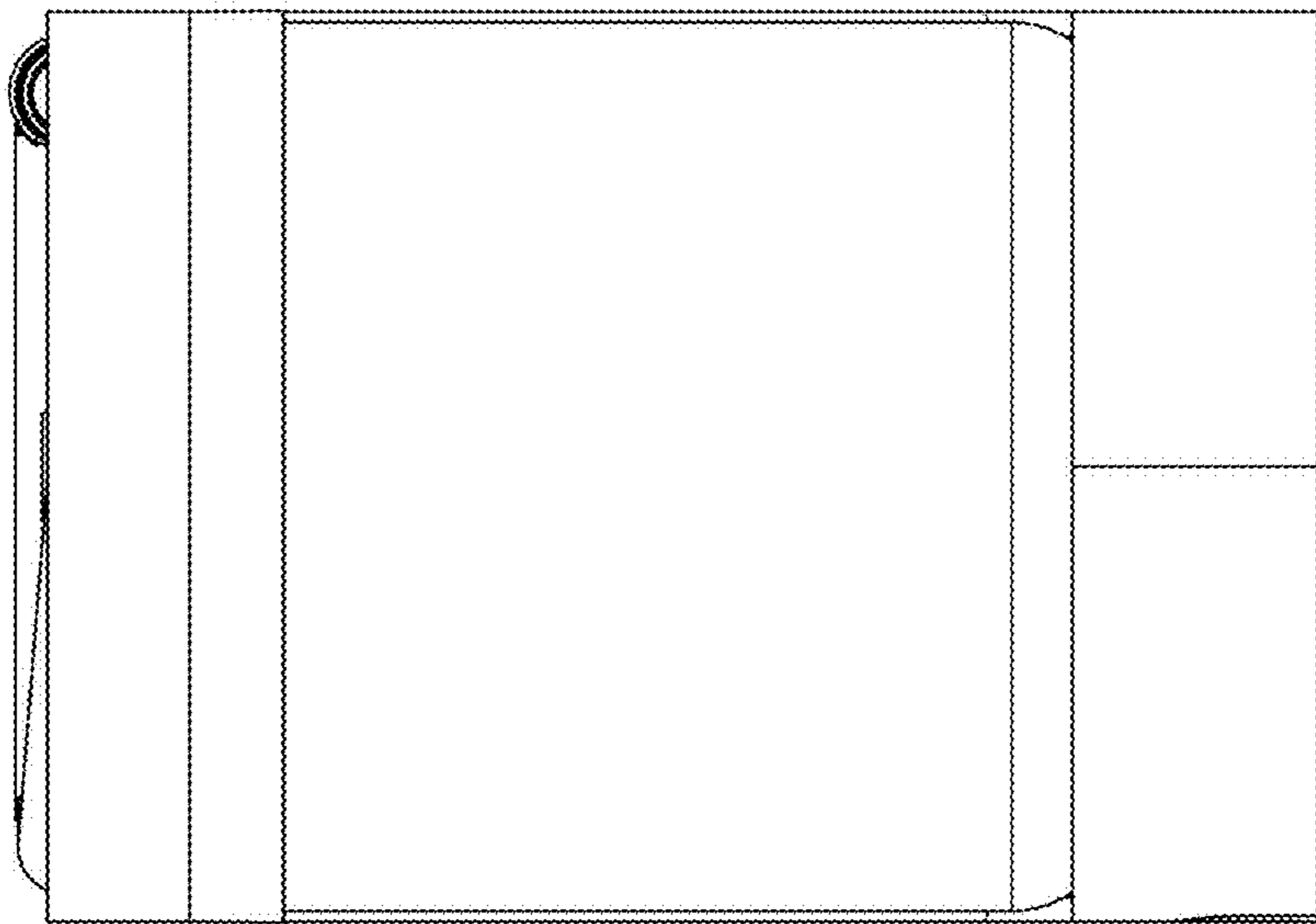


FIG. 1.4

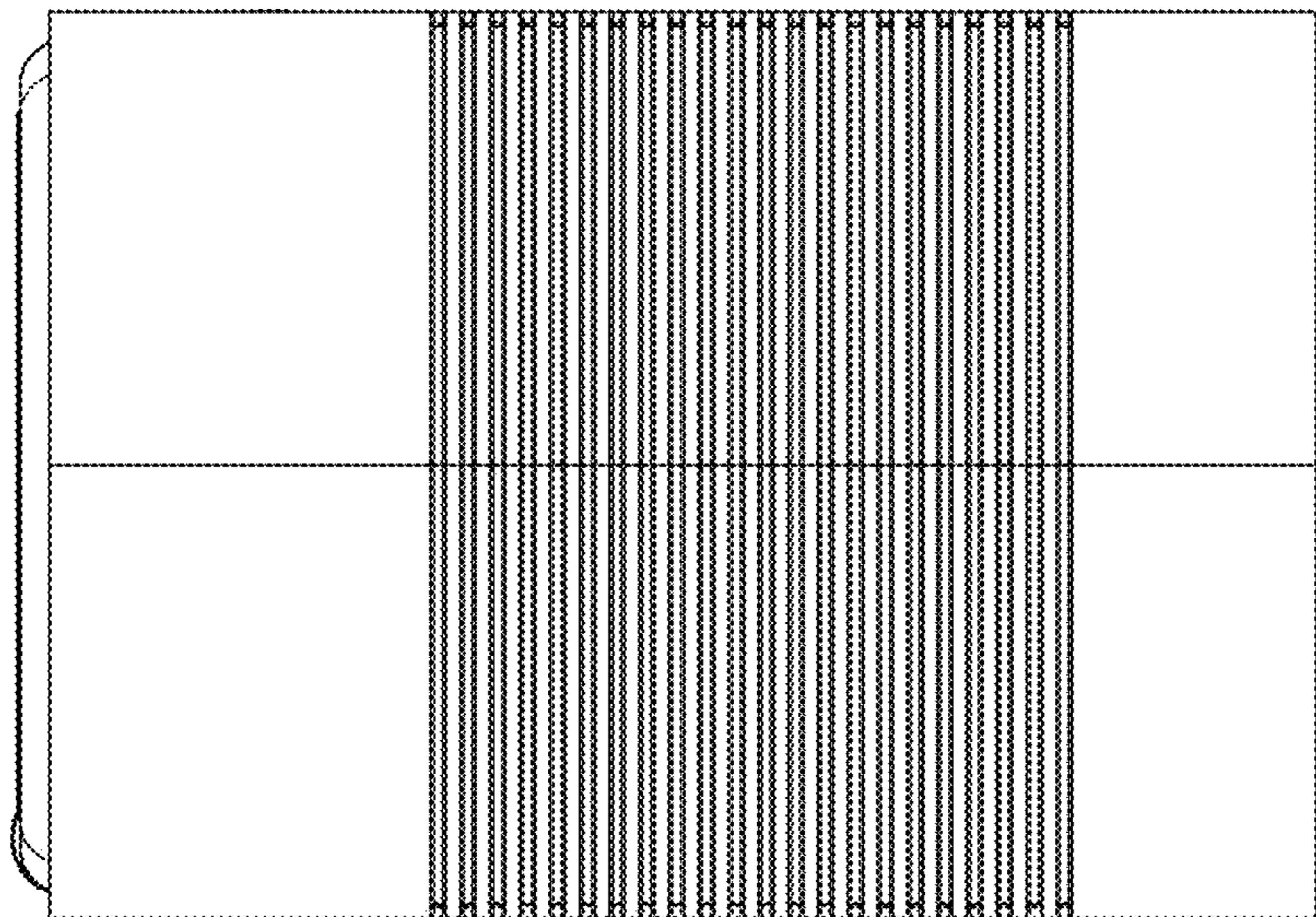


FIG. 1.5

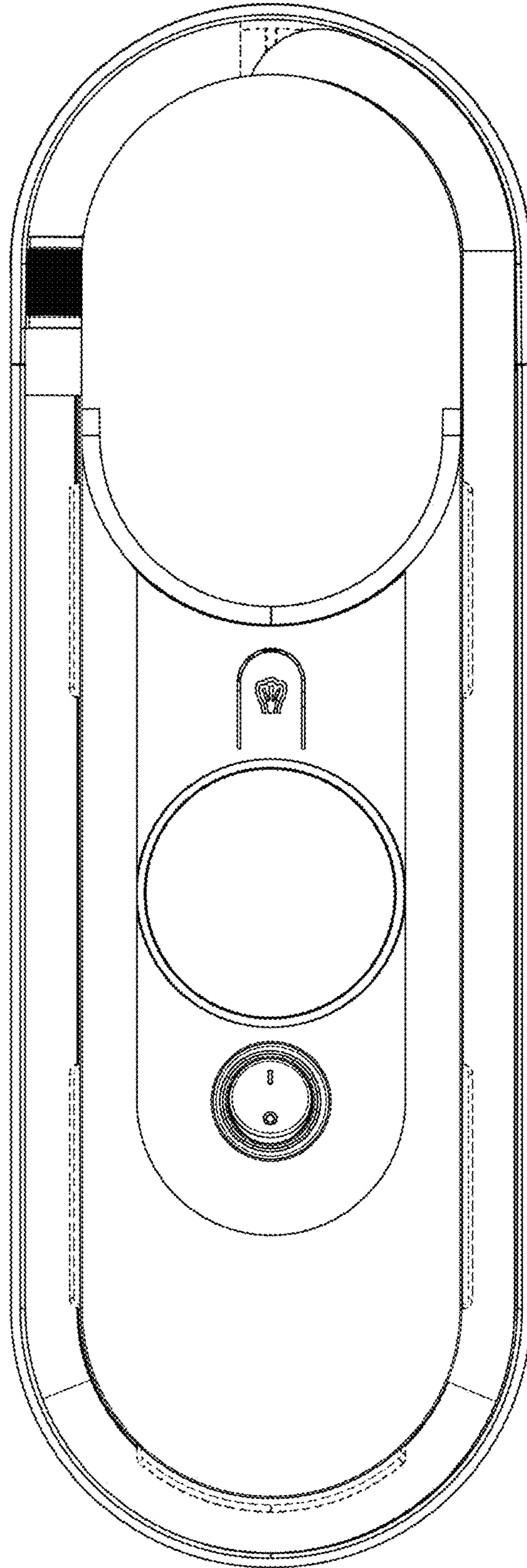


FIG. 1.6

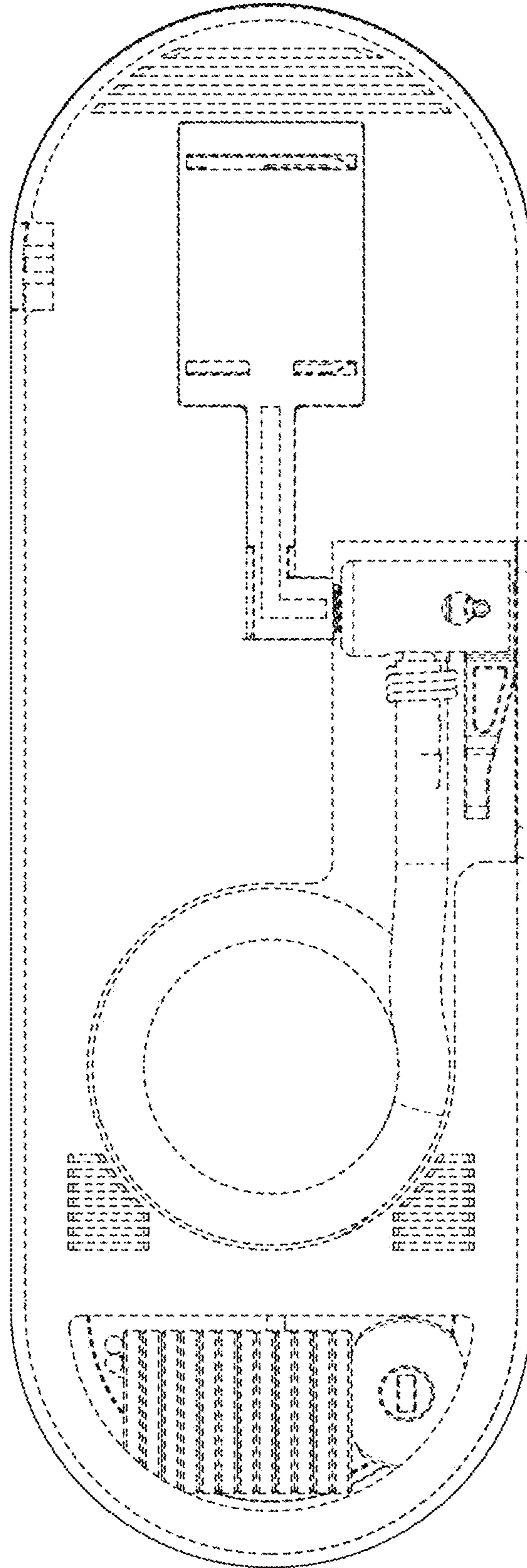


FIG. 1.7

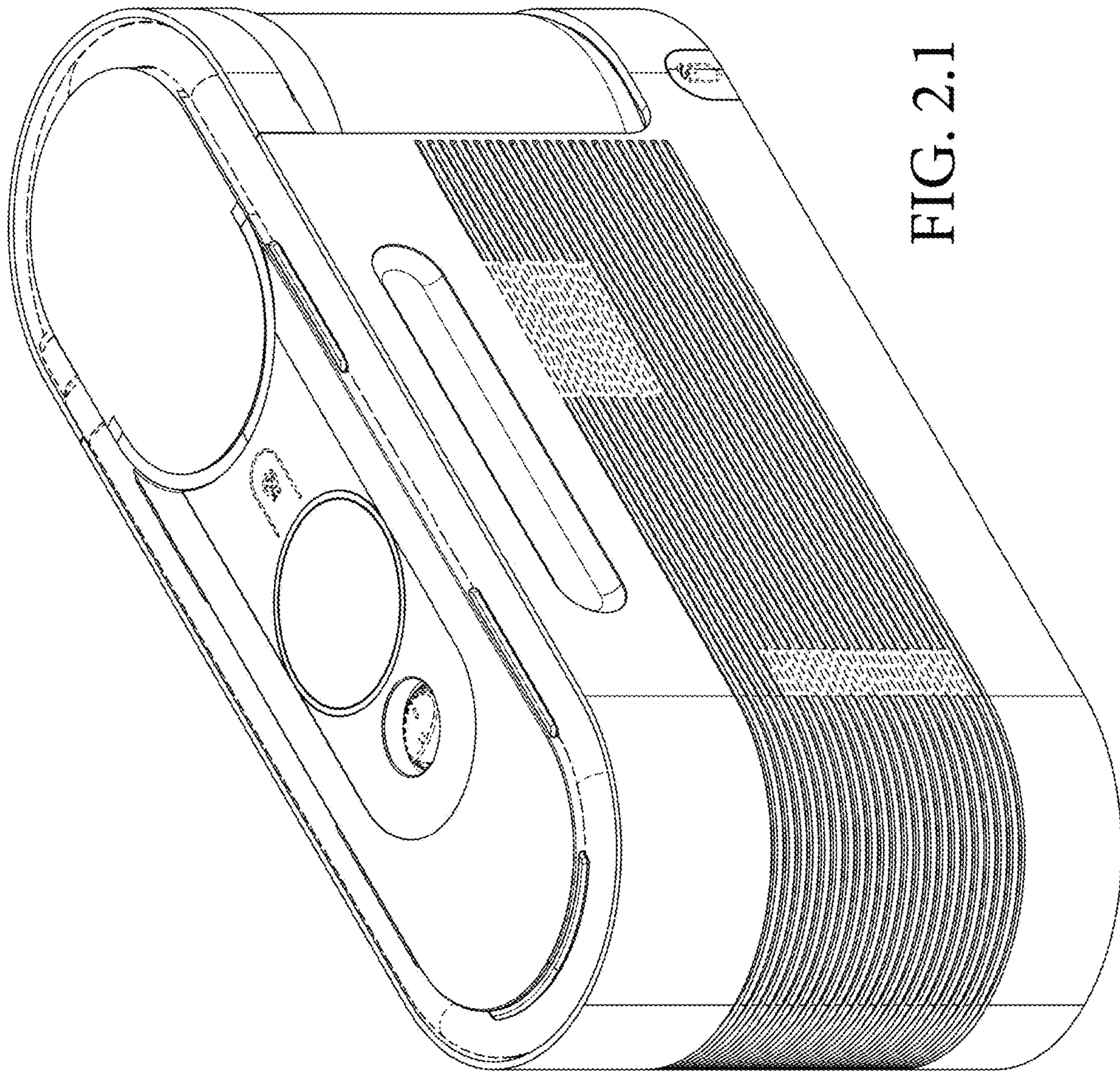


FIG. 2.1

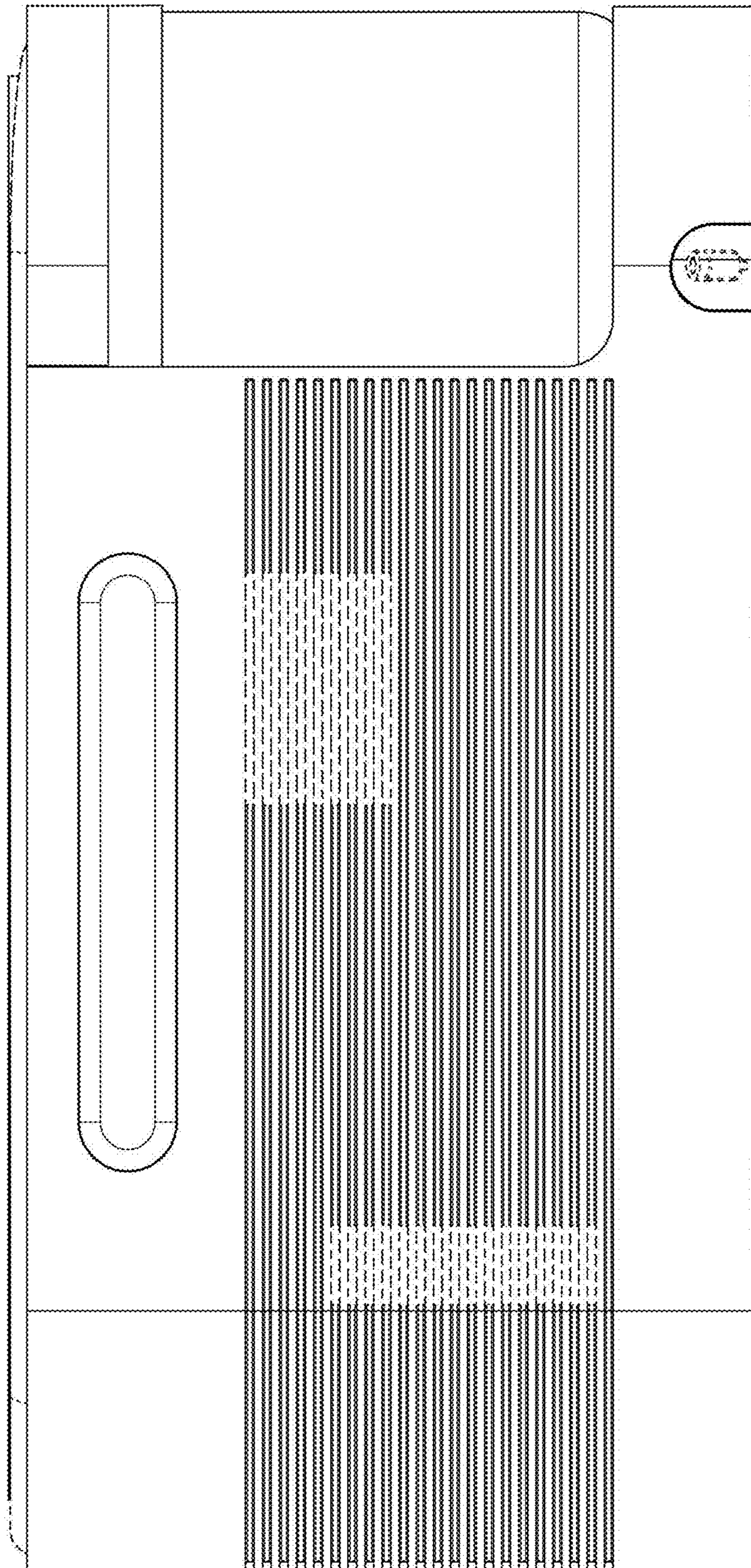


FIG. 2.2

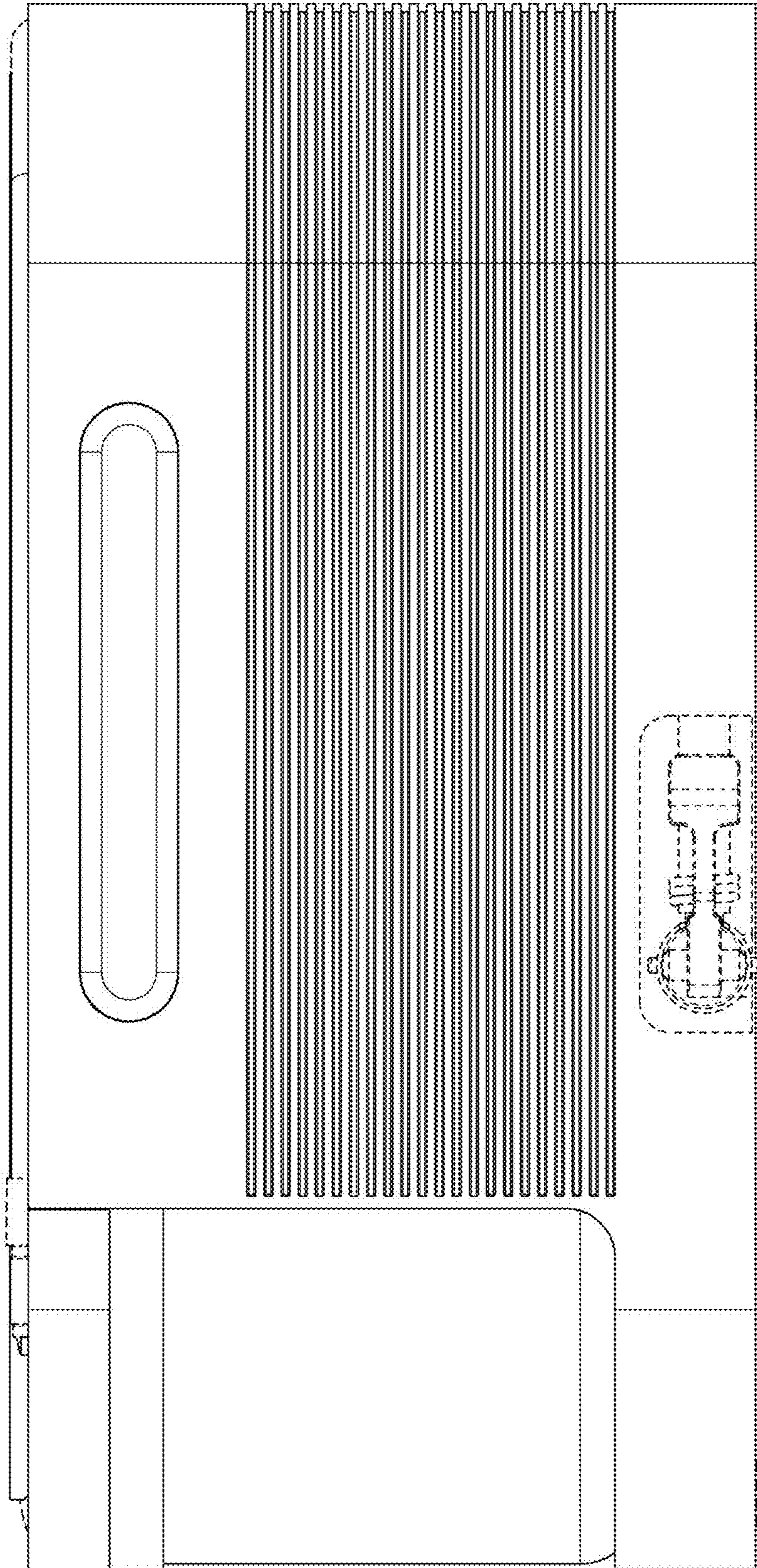


FIG. 2.3

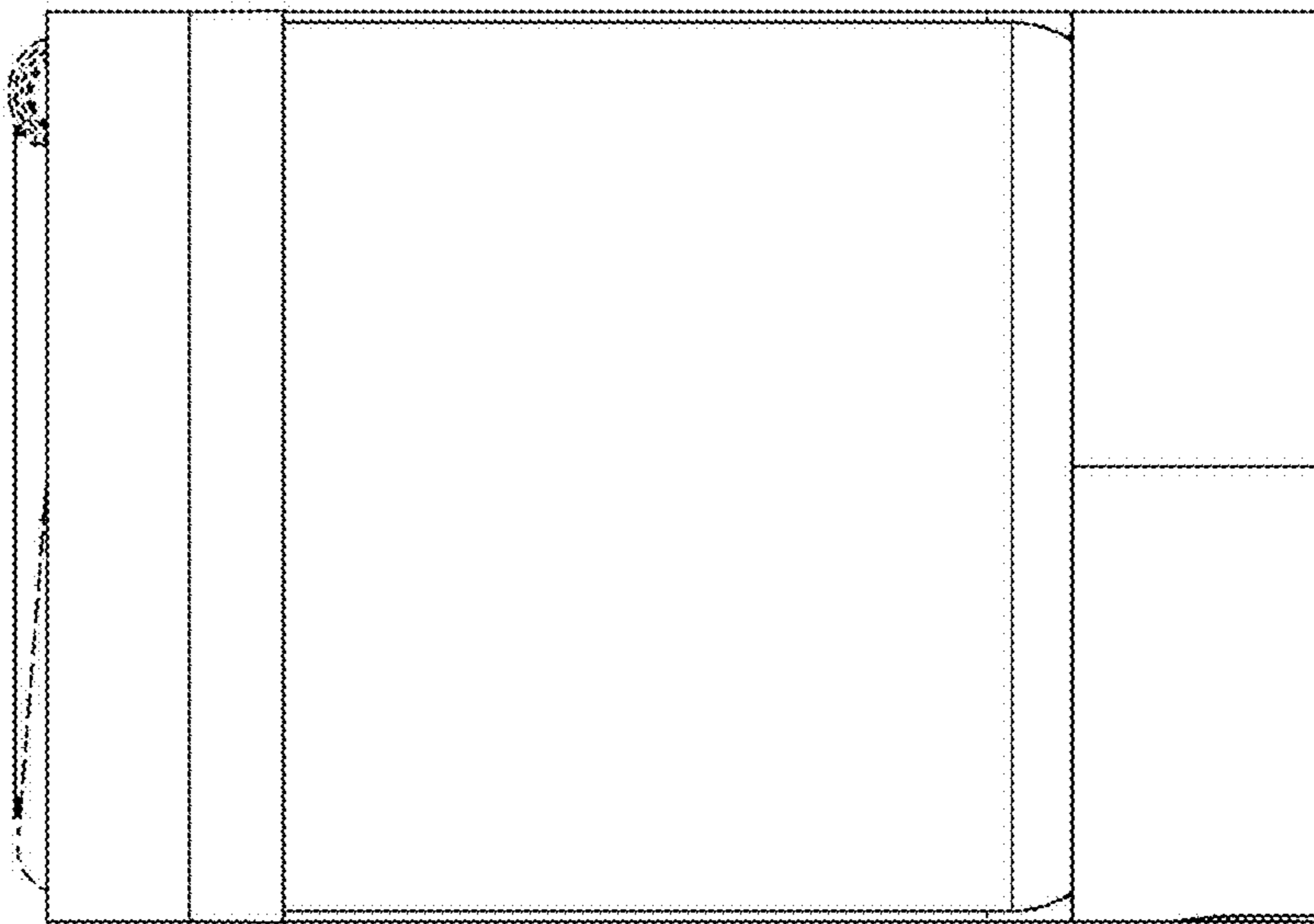


FIG. 2.4

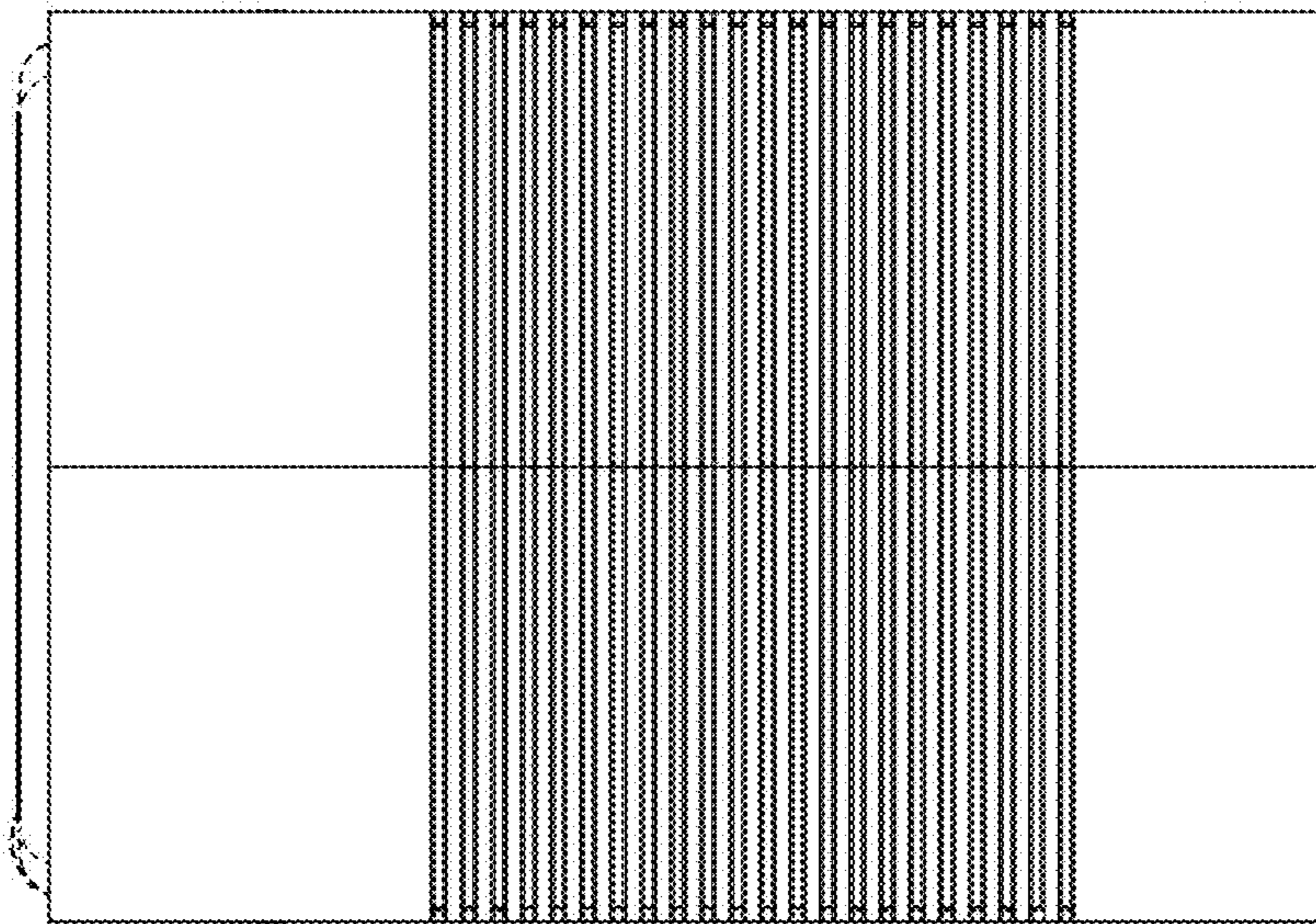


FIG. 2.5

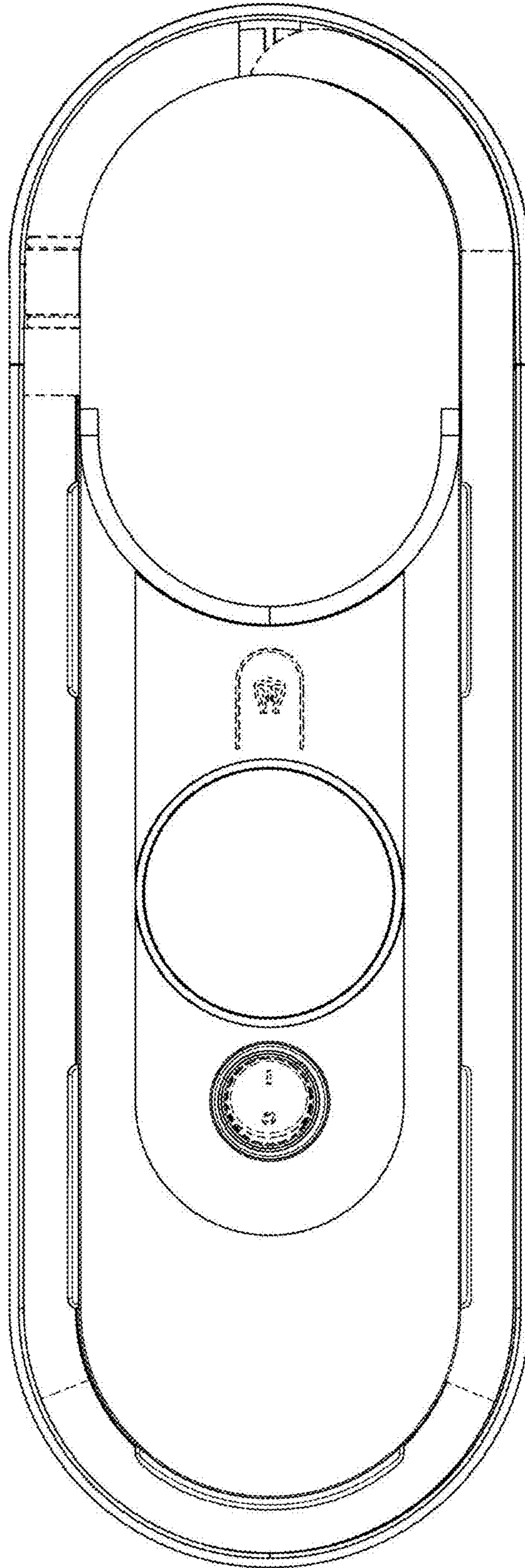


FIG. 2.6

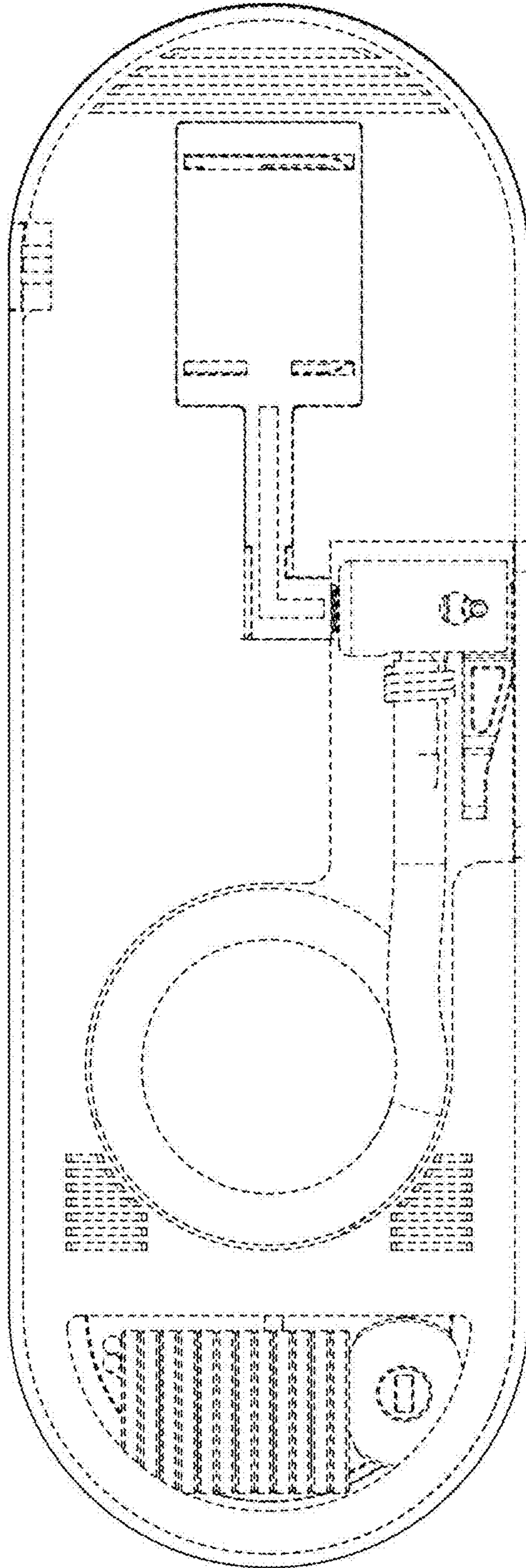


FIG. 2.7