



US00D914767S

(12) **United States Design Patent**  
**Marini**

(10) **Patent No.:** **US D914,767 S**  
(45) **Date of Patent:** **\*\* Mar. 30, 2021**

(54) **TIRE SEALING AND INFLATION DEVICE**

(71) Applicant: **TEK GLOBAL S.R.L.**, Pesaro (IT)

(72) Inventor: **Maurizio Marini**, Pesaro (IT)

(73) Assignee: **TEK GLOBAL S.R.L.**, Pesaro (IT)

(\*\*) Term: **15 Years**

(21) Appl. No.: **29/735,347**

(22) Filed: **May 20, 2020**

**Related U.S. Application Data**

(62) Division of application No. 35/506,864, filed on Nov. 30, 2018 (U.S. filing date under 35 U.S.C. 384), and having an international filing date of Nov. 30, 2018, now Pat. No. Des. 902,960.

(51) **LOC (13) Cl.** ..... **15-02**

(52) **U.S. Cl.**  
USPC ..... **D15/7**  
CPC ..... **F02M 37/04** (2013.01)

(58) **Field of Classification Search**  
USPC ..... D15/7-9; D23/231, 232, 225;  
417/355-363, 410.1, 411, 416, 405, 900,  
417/269, 539; 60/408, 412; 184/26-37;  
415/140-147; 123/495, 509; 137/565.34  
CPC ..... F02M 37/04; F02M 37/14; F04B 53/92;  
F04B 1/005; F04D 13/06; F04D 29/22;  
F04D 29/046; F04D 29/2266  
See application file for complete search history.

(56) **References Cited**

**U.S. PATENT DOCUMENTS**

4,187,058 A \* 2/1980 Fish ..... B60C 23/10  
141/98  
4,389,166 A \* 6/1983 Harvey ..... F04B 35/04  
417/234  
D278,244 S \* 4/1985 Boetger ..... D15/7

D362,669 S \* 9/1995 Conroy ..... D15/7  
D400,892 S \* 11/1998 Williams ..... D15/9  
D405,097 S \* 2/1999 Wong ..... D15/7  
D415,500 S \* 10/1999 Poon ..... D15/7  
D451,521 S \* 12/2001 Poon ..... D15/7  
D464,976 S \* 10/2002 Krieger ..... D15/9  
D467,941 S \* 12/2002 Duncan ..... D15/7  
D467,942 S \* 12/2002 Duncan ..... D15/7  
D470,863 S \* 2/2003 Williams ..... D15/7  
D487,899 S \* 3/2004 Poon ..... D15/7  
D507,799 S \* 7/2005 Chen ..... D15/7  
D510,939 S \* 10/2005 Nikolayev ..... D15/9  
D558,795 S \* 1/2008 Saunders ..... D15/7  
D559,866 S \* 1/2008 Saunders ..... D15/7  
D647,924 S \* 11/2011 Upham ..... D15/7  
D656,962 S \* 4/2012 Boldsen ..... D15/7  
D670,313 S \* 11/2012 Ohm ..... D15/7  
D671,560 S \* 11/2012 Ohm ..... D15/7  
D679,291 S \* 4/2013 Ohm ..... D15/7  
D694,267 S \* 11/2013 Ohm ..... D15/7  
D694,268 S \* 11/2013 Ohm ..... D15/7  
D764,551 S \* 8/2016 Fowler ..... D15/7  
D771,718 S \* 11/2016 Liao ..... D15/7  
D800,788 S \* 10/2017 Petersen ..... D15/7  
D805,108 S \* 12/2017 Zhang ..... D15/7

(Continued)

*Primary Examiner* — Richard E Chilcot

(74) *Attorney, Agent, or Firm* — Leason Ellis LLP

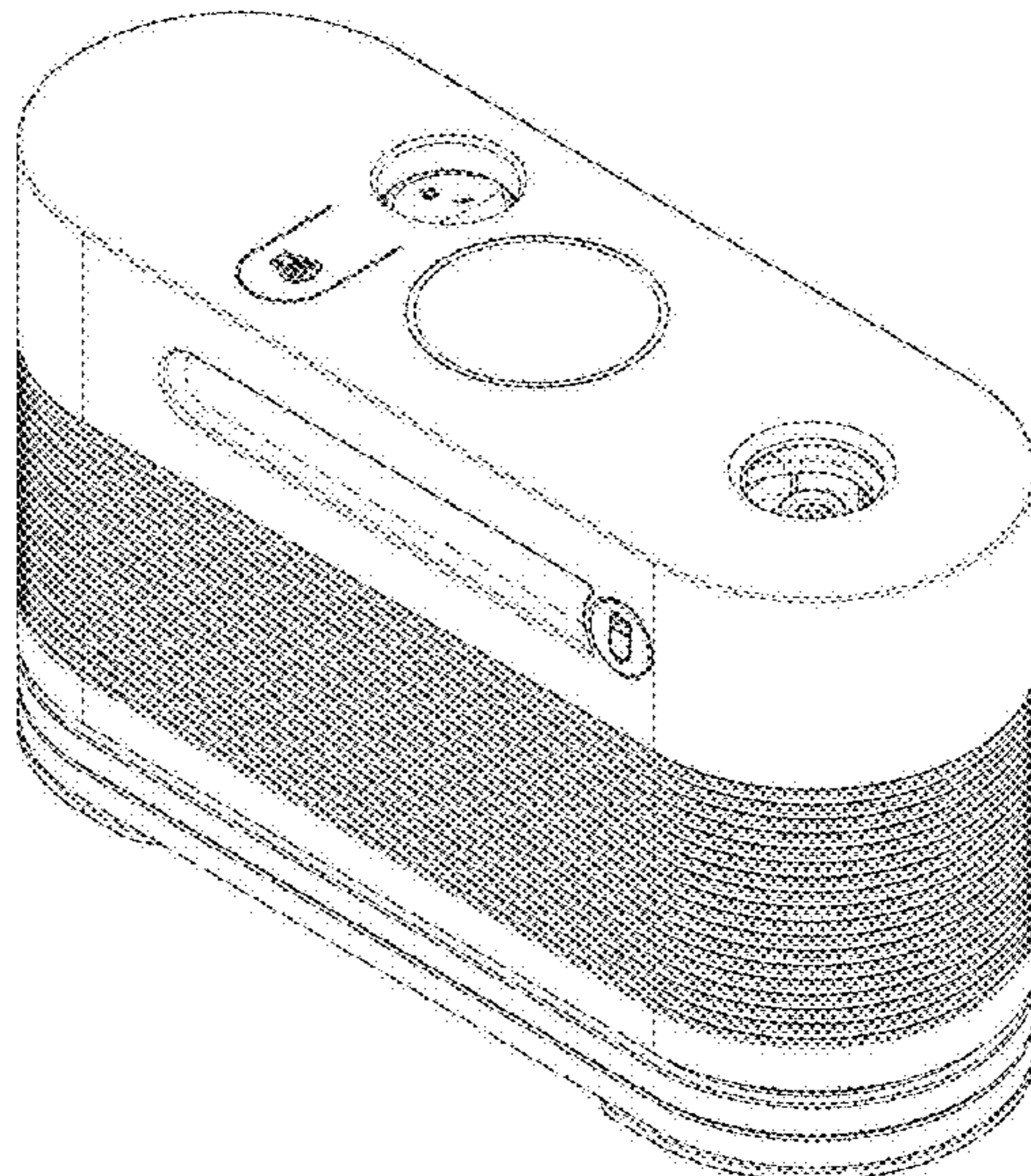
(57) **CLAIM**

I claim the ornamental design for a tire sealing and inflation device, as shown and described.

**DESCRIPTION**

FIG. 1 is a top perspective view of a tire sealing and inflation device showing my new design;  
FIG. 2 is a right side elevation view thereof;  
FIG. 3 is a left side elevation view thereof;  
FIG. 4 is a front elevation view thereof;  
FIG. 5 is a rear elevation view thereof;  
FIG. 6 is a top plan view thereof; and,  
FIG. 7 is a bottom plan view thereof.

**1 Claim, 7 Drawing Sheets**



(56)

**References Cited**

U.S. PATENT DOCUMENTS

D805,109 S *	12/2017	Exley .....	D15/7
D807,403 S *	1/2018	Lam .....	D15/7
D814,524 S *	4/2018	Costle .....	D15/7
D817,364 S *	5/2018	He .....	D15/7
D823,344 S *	7/2018	Malcolm .....	D15/7
D823,346 S *	7/2018	Petersen .....	D15/7
D838,746 S *	1/2019	Gan .....	D15/7
D873,863 S *	1/2020	Marini .....	D15/7
2018/0126963 A1 *	5/2018	Kobler .....	B60S 5/043

\* cited by examiner



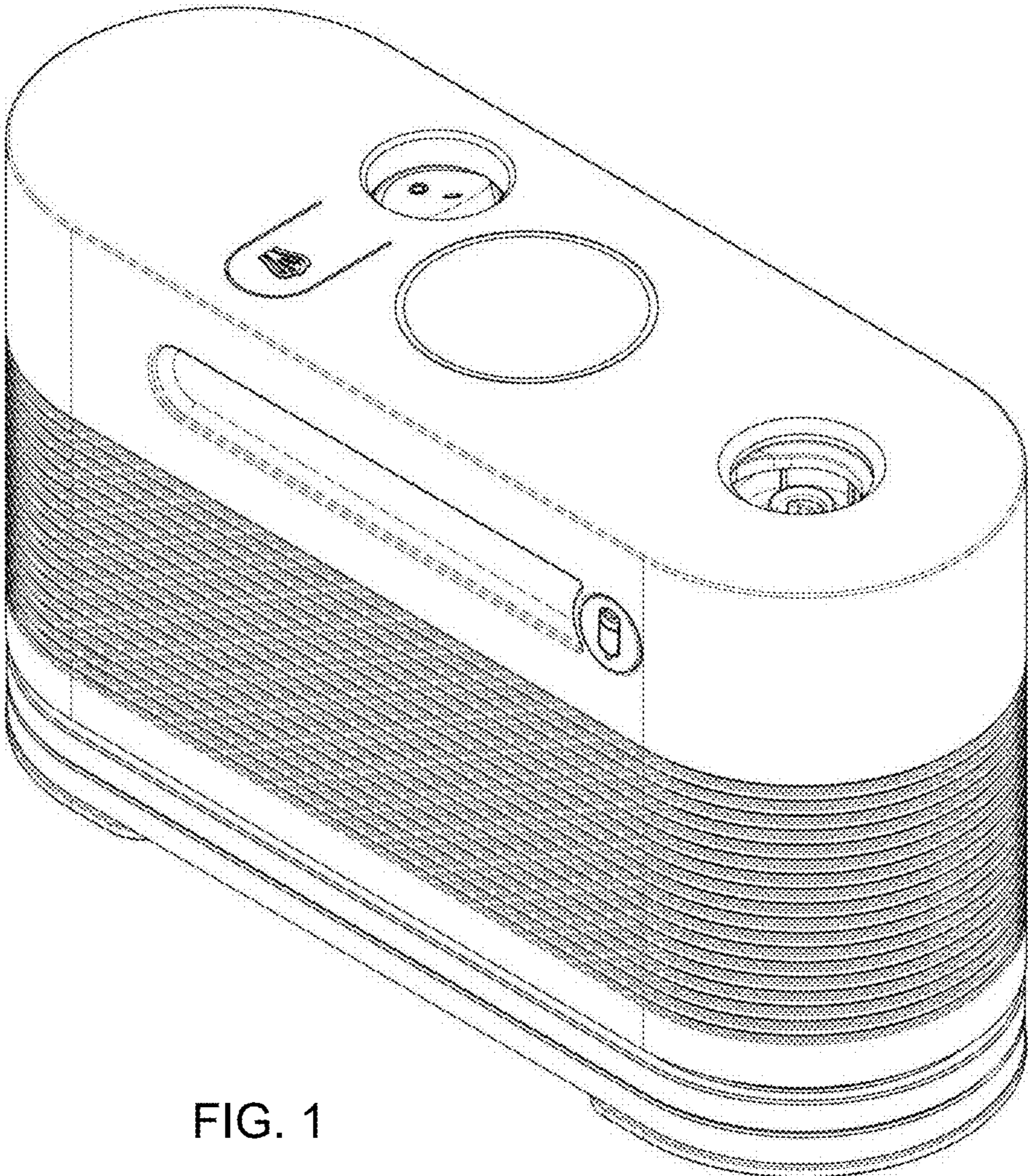


FIG. 1

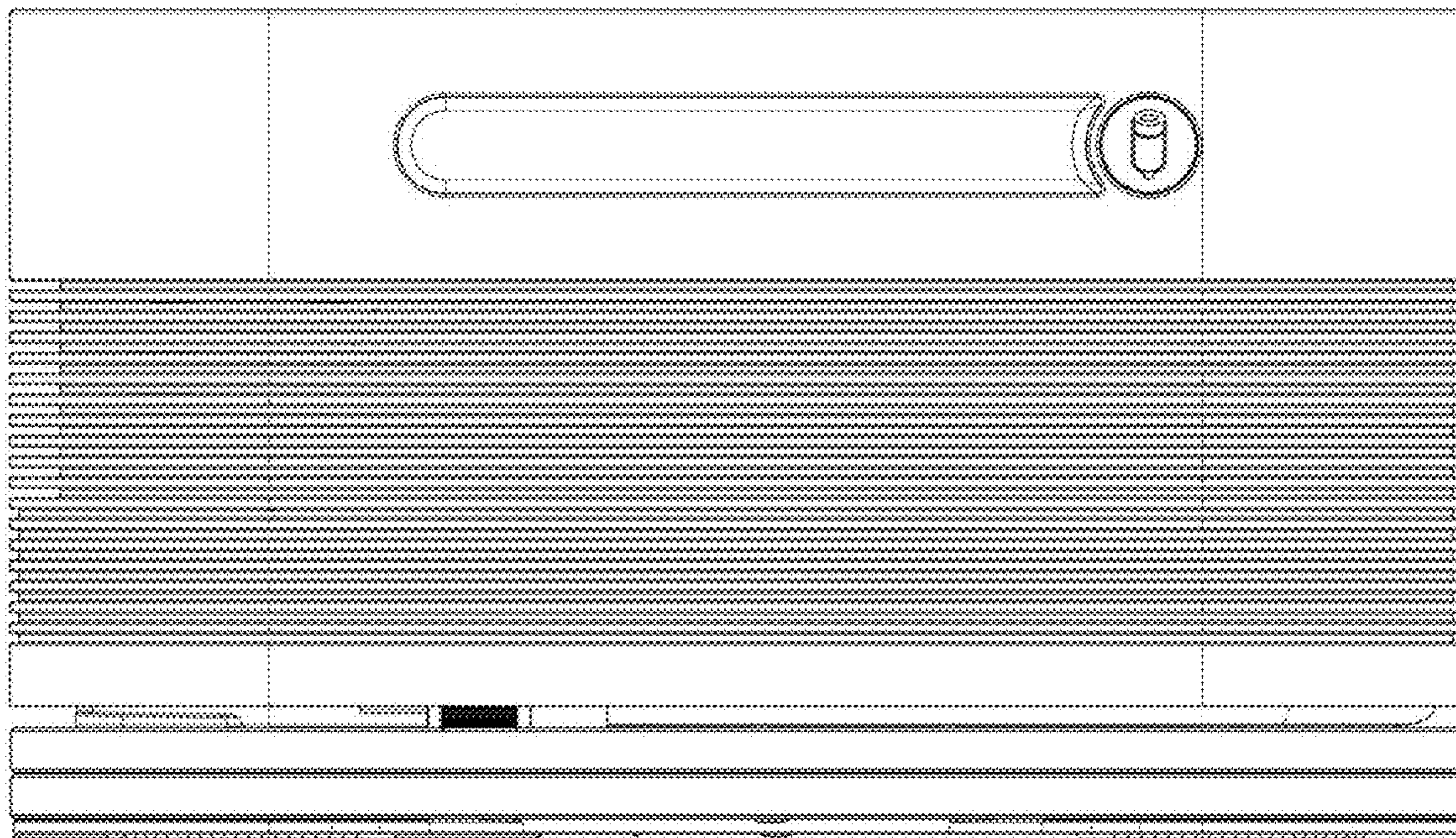


FIG. 2



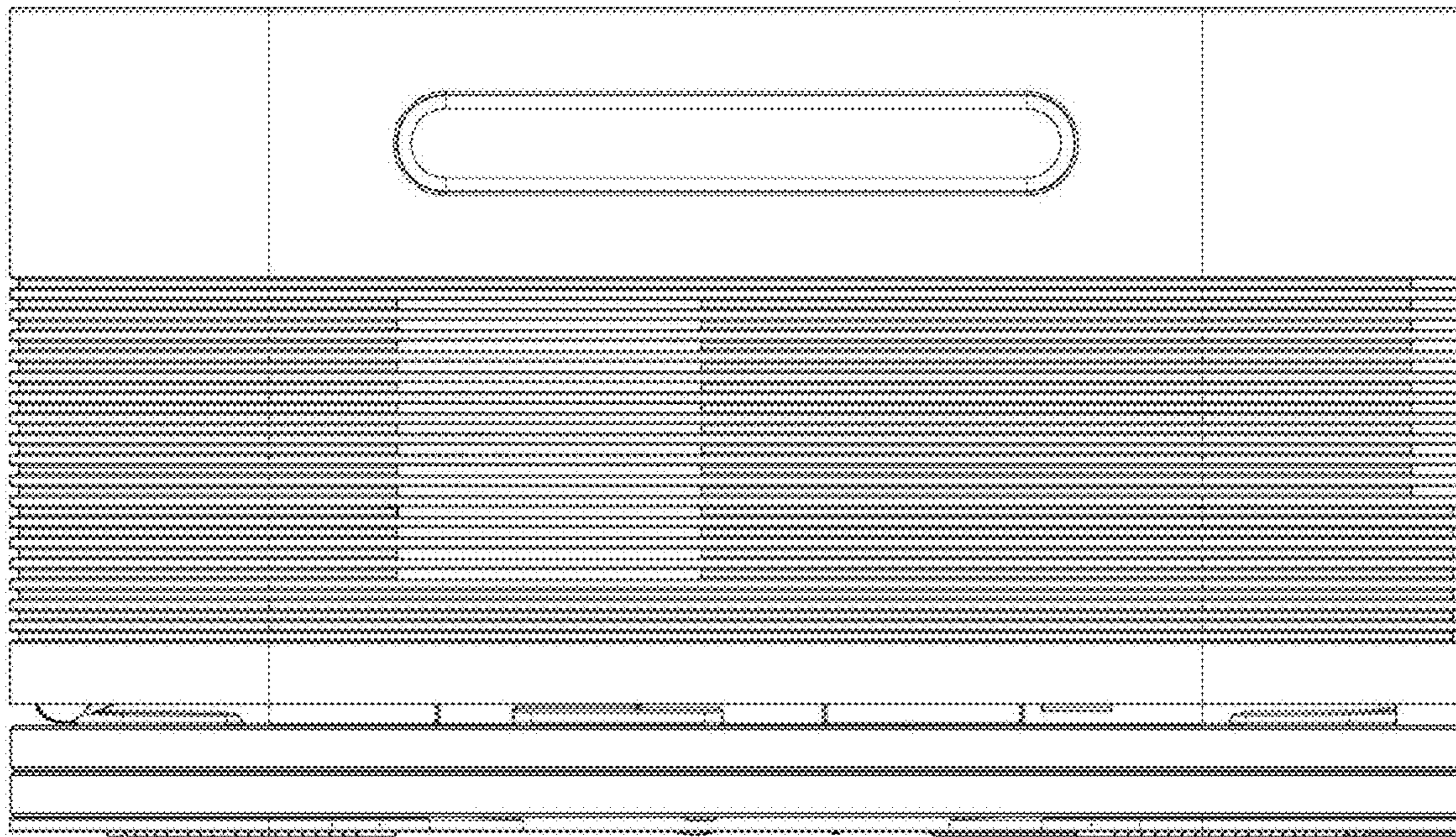


FIG. 3

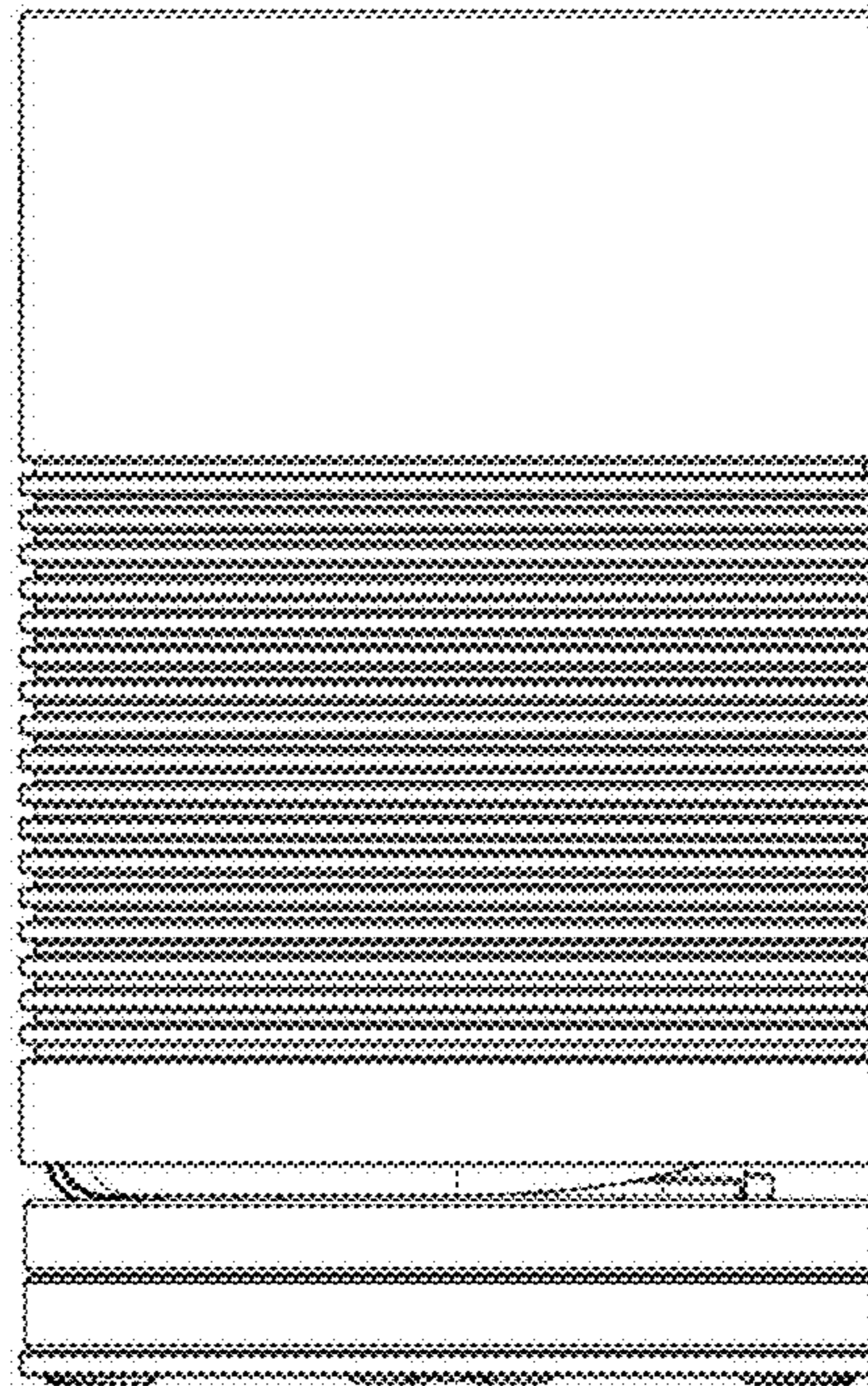


FIG. 4

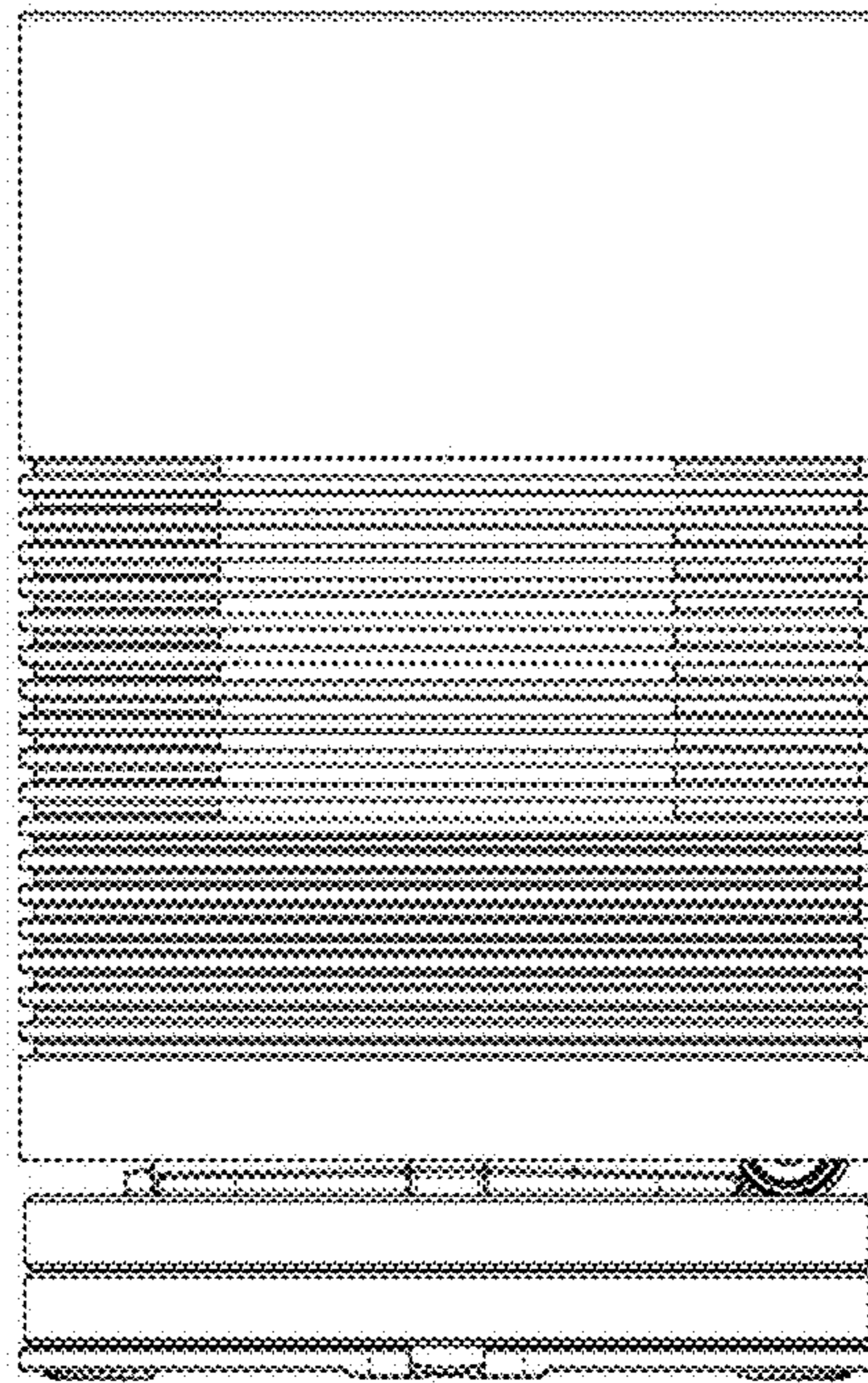


FIG. 5

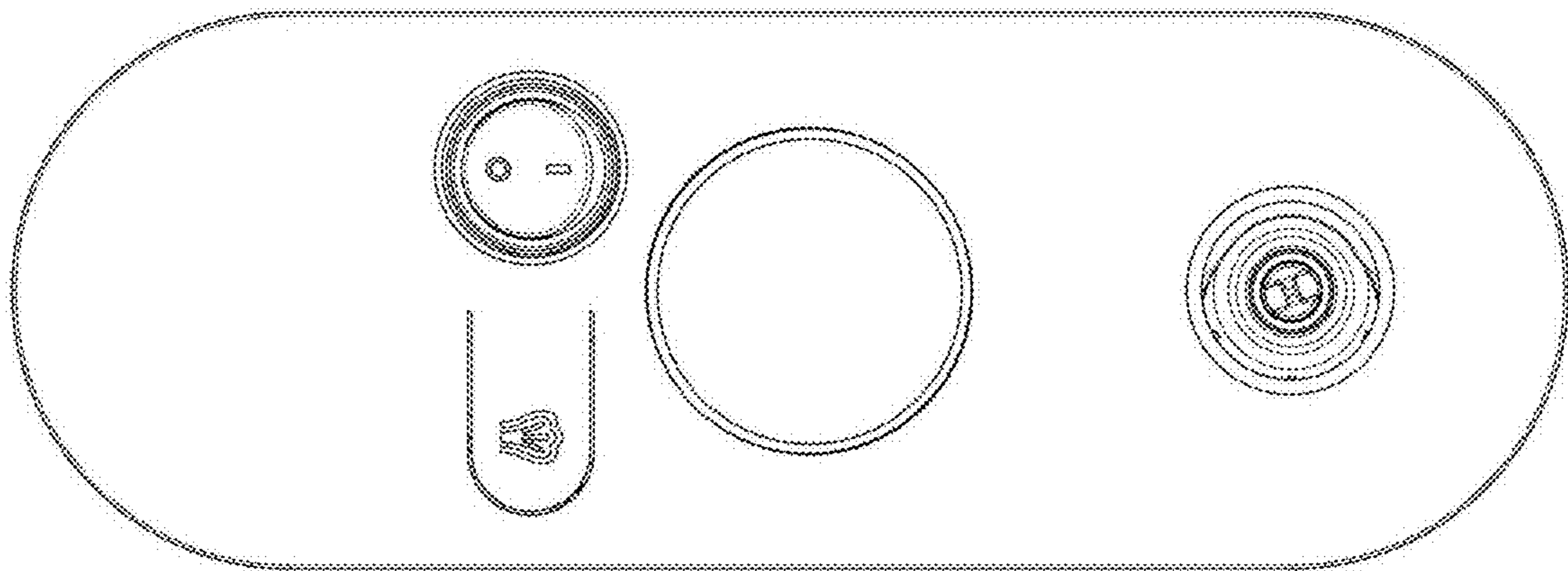


FIG. 6



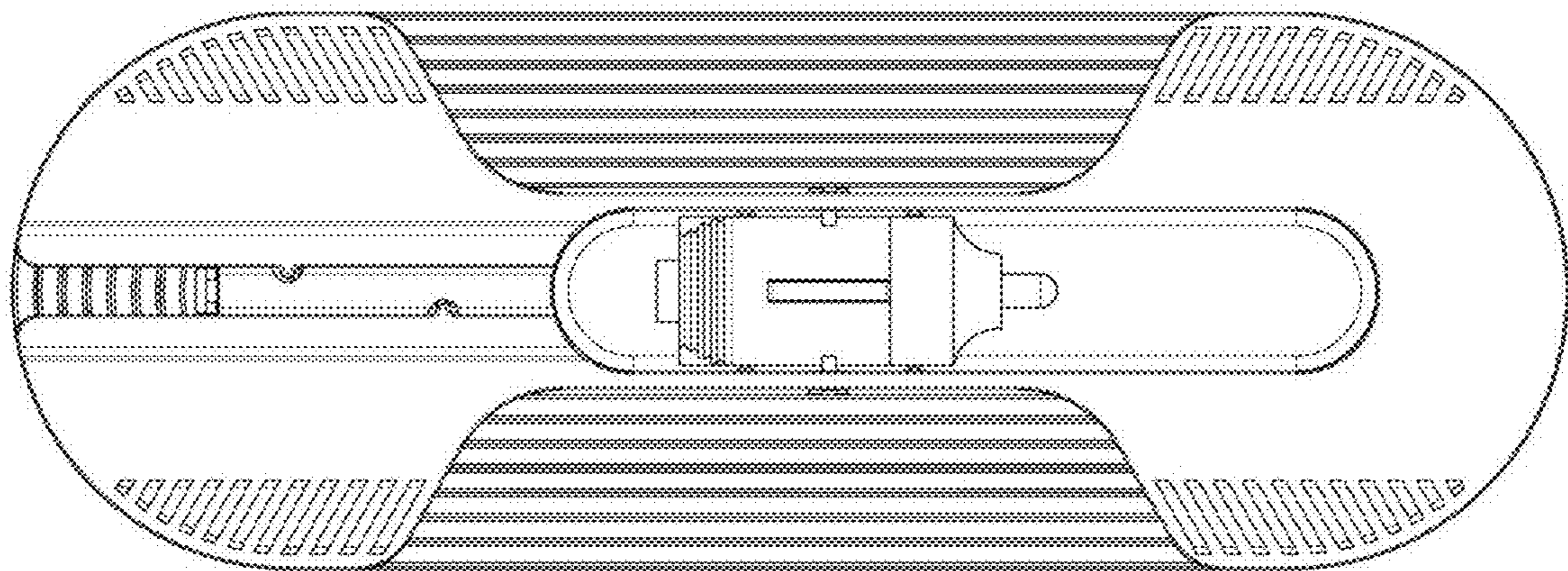


FIG. 7