



US00D914765S

(12) **United States Design Patent**
Liu

(10) **Patent No.:** **US D914,765 S**

(45) **Date of Patent:** **** Mar. 30, 2021**

(54) **AIR PUMP**

(71) Applicant: **ZHONGSHAN HENG YI SPORTS EQUIPMENTS CO., LTD**, Zhongshan (CN)

(72) Inventor: **Changsong Liu**, Zhongshan (CN)

(73) Assignee: **ZHONGSHAN HENG YI SPORTS EQUIPMENTS CO., LTD**, Zhongshan (CN)

(**) Term: **15 Years**

(21) Appl. No.: **29/712,963**

(22) Filed: **Nov. 13, 2019**

(51) **LOC (13) Cl.** **15-02**

(52) **U.S. Cl.**
USPC **D15/7**

(58) **Field of Classification Search**
USPC D12/114; D9/689, 529; D23/225, 231, D23/232, 366, 356; D15/7-9; D24/186
CPC F04B 39/102; F04B 33/005; F04B 53/14; F04B 53/92; F04B 33/00; F04B 1/005; F16L 37/18; F16L 37/20; F16K 11/048; F16K 15/20; F16K 31/602; F04D 13/06; F04D 29/22; F04D 29/046; F04D 29/2266

See application file for complete search history.

(56) **References Cited**

U.S. PATENT DOCUMENTS

- D317,414 S * 6/1991 Lanci D10/57
- D358,397 S * 5/1995 Phillips D15/7
- D408,914 S * 4/1999 Kimball D24/151
- 6,065,947 A * 5/2000 Wu F04B 25/02
417/526
- D429,333 S * 8/2000 Sanders D24/137
- 6,257,849 B1 * 7/2001 Wu F04B 33/005
417/238
- D510,939 S * 10/2005 Nikolayev D15/9

- D584,320 S * 1/2009 Huang D15/7
- D693,247 S * 11/2013 Juhng D10/57
- D694,268 S * 11/2013 Ohm D15/7
- D773,055 S * 11/2016 Krauss D24/186
- D774,406 S * 12/2016 Im D10/57

(Continued)

OTHER PUBLICATIONS

Sealey, CTI 120—Compact digital tire inflator, (site visited Nov. 3, 2020), zdnet.com, URL:<<https://www.zdnet.com/pictures/sealey-cti-120-compact-digital-tire-inflator/5/>> (Year: 2020).*

(Continued)

Primary Examiner — Sheryl Lane

Assistant Examiner — Mark T. Philipps

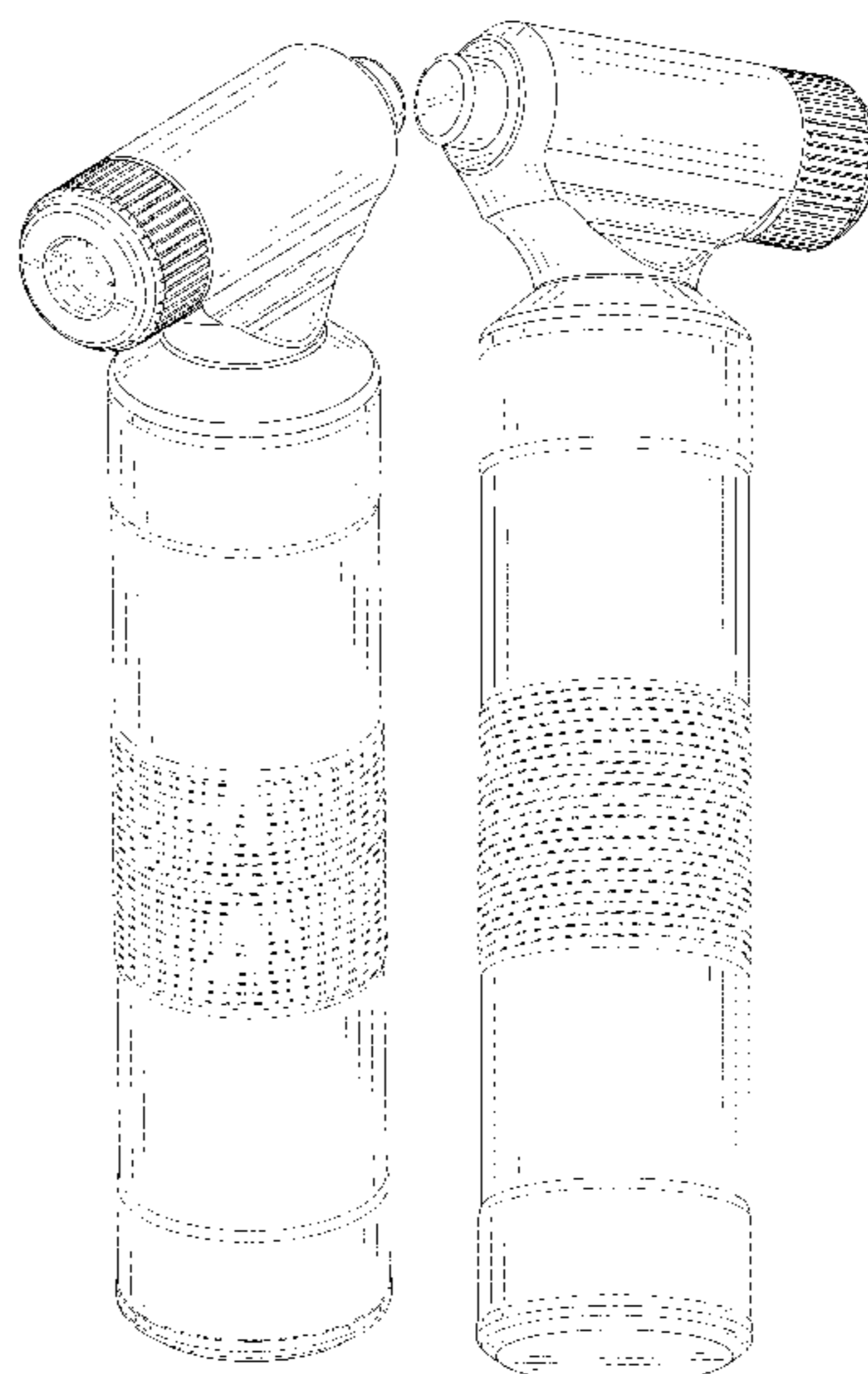
(57) **CLAIM**

The ornamental design for an air pump, as shown and described.

DESCRIPTION

FIG. 1 is a perspective view of an air pump showing my new design;
 FIG. 2 is another perspective view thereof;
 FIG. 3 is a front elevational view thereof;
 FIG. 4 is a rear elevational view thereof;
 FIG. 5 is a left side elevational view thereof;
 FIG. 6 is a right side elevational view thereof;
 FIG. 7 is a top plan view thereof;
 FIG. 8 is a bottom plan view thereof;
 FIG. 9 is a perspective view of the air pump where the air pump is in a configuration of use; and,
 FIG. 10 is a perspective view of the air pump where the air pump is in another configuration of use.
 The dot-dash broken lines in the drawings depict boundaries of the air pump and form no part of the claimed design. The dash-dash broken lines in the drawings depict portions of the air pump that form no part of the claimed design.

1 Claim, 10 Drawing Sheets



(56)

References Cited

U.S. PATENT DOCUMENTS

2004/0191098 A1* 9/2004 Wu F04B 33/005
417/469
2008/0247884 A1* 10/2008 Huang F04B 33/005
417/234
2014/0286796 A1* 9/2014 Wang F04B 9/06
417/63
2015/0258970 A1* 9/2015 Chen B60S 5/04
141/351

OTHER PUBLICATIONS

ICAN, Portable Mini Hand Air Pump Ball Tire Inflator Bike Pump, (site visited Nov. 3, 2020), [icancycling.com](https://icancycling.com/products/portable-mini-hand-air-pump-ball-tire-inflator-bike-pump), URL:<<https://icancycling.com/products/portable-mini-hand-air-pump-ball-tire-inflator-bike-pump>> (Year: 2020).*

Hengyi Pump, CO2-F2, (site visited Nov. 3, 2020), hengyi-pump.com, URL:<hengyi-pump.com/Product-Details4?product_id=1200> (Year: 2020).*

* cited by examiner

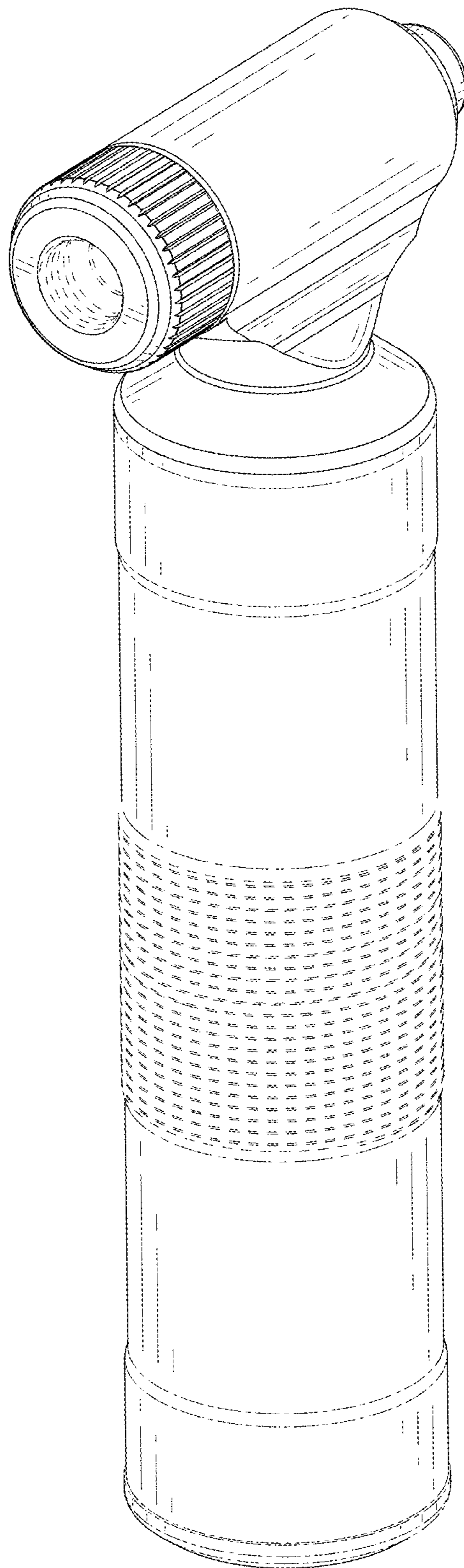


FIG. 1

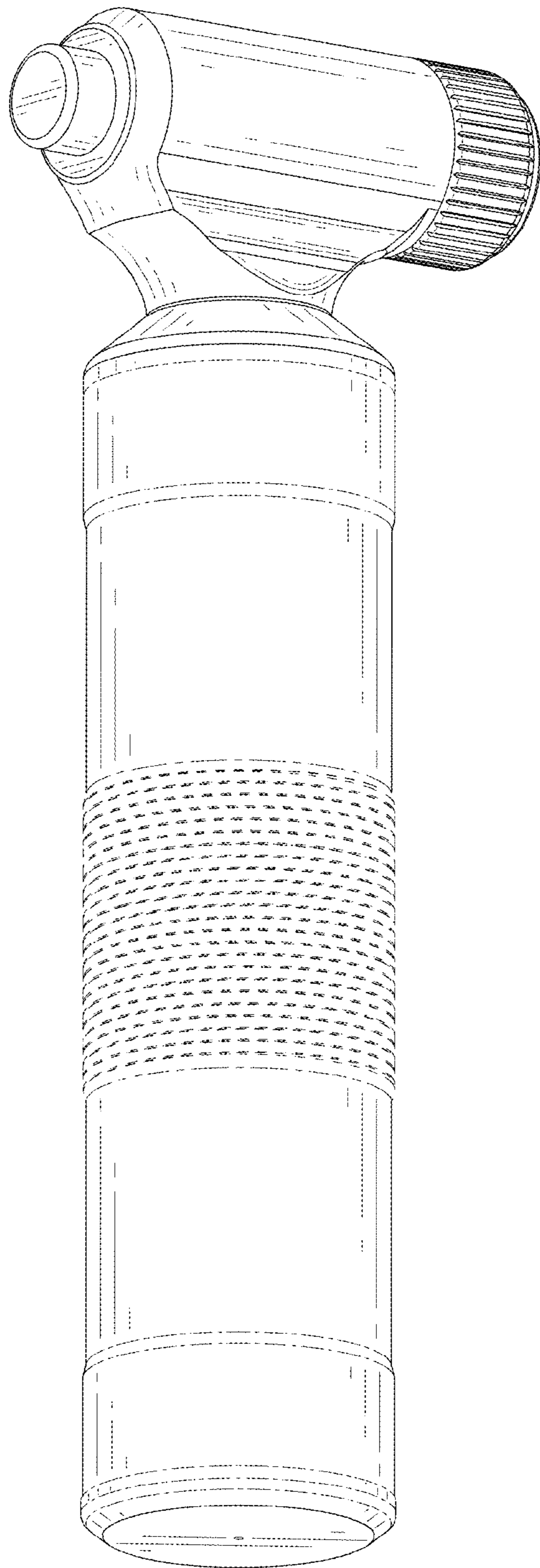


FIG. 2

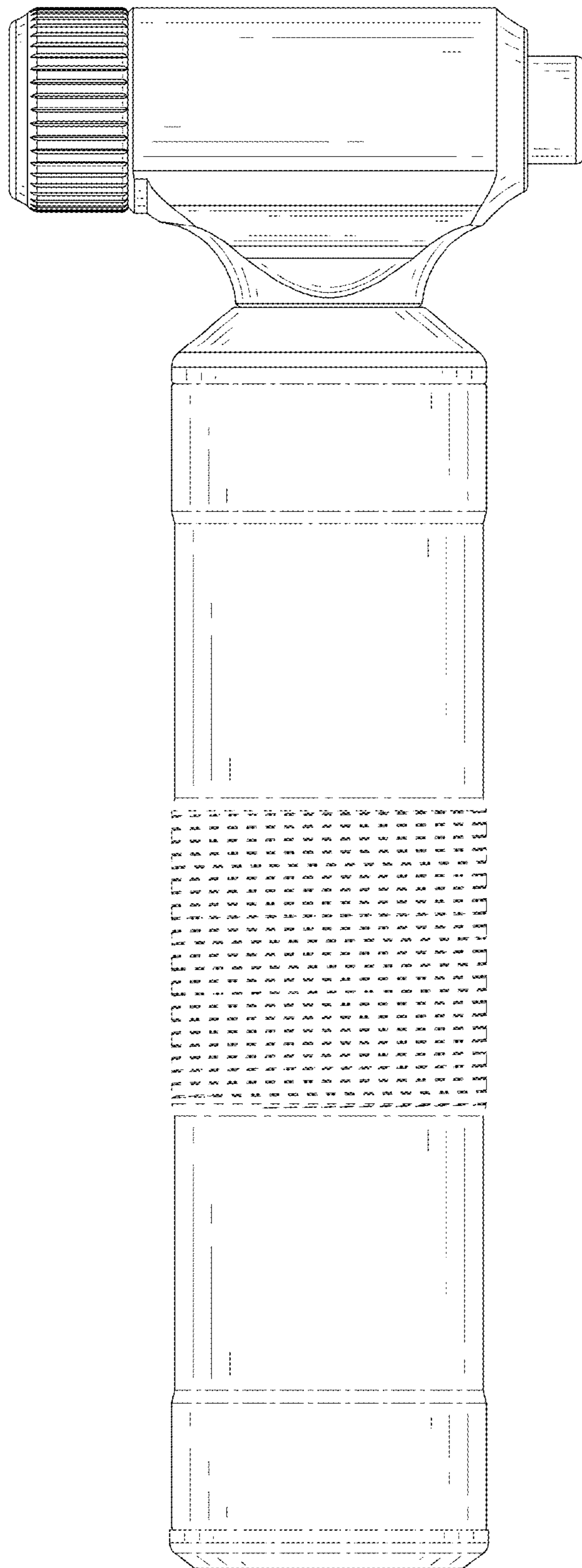


FIG. 3

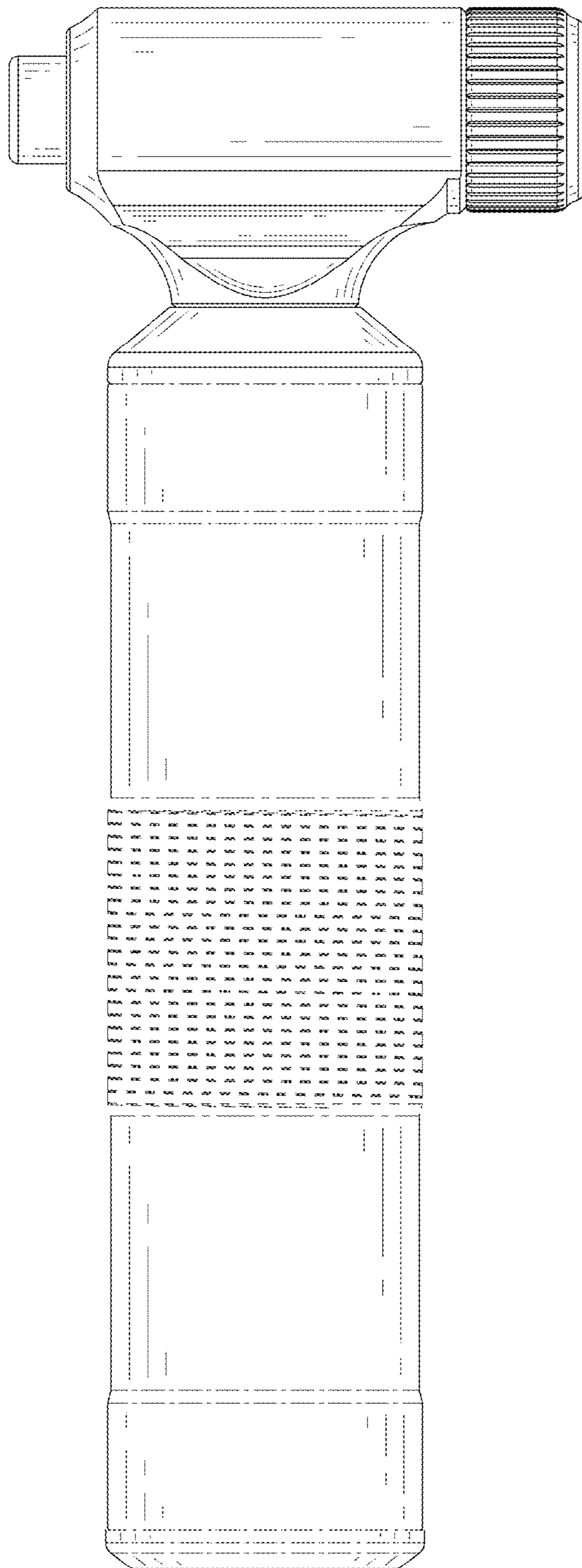


FIG. 4

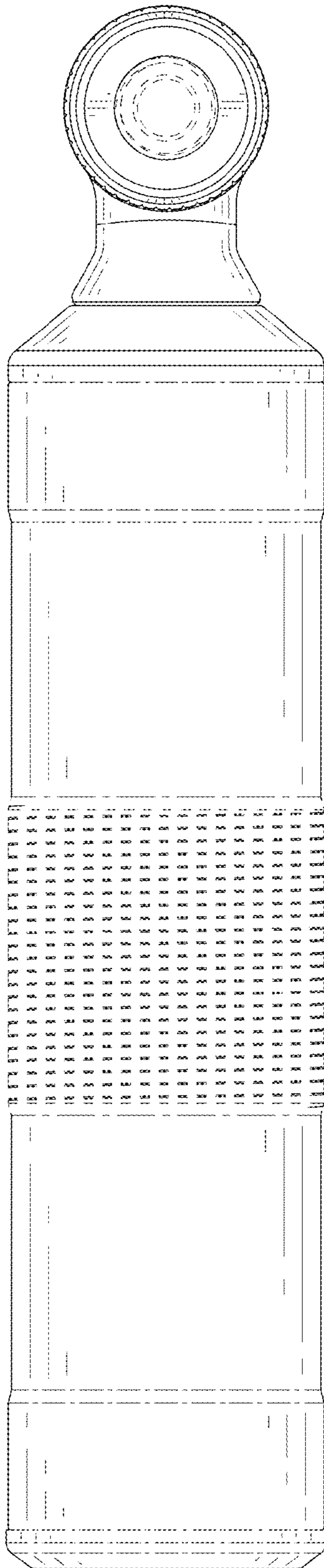


FIG. 5

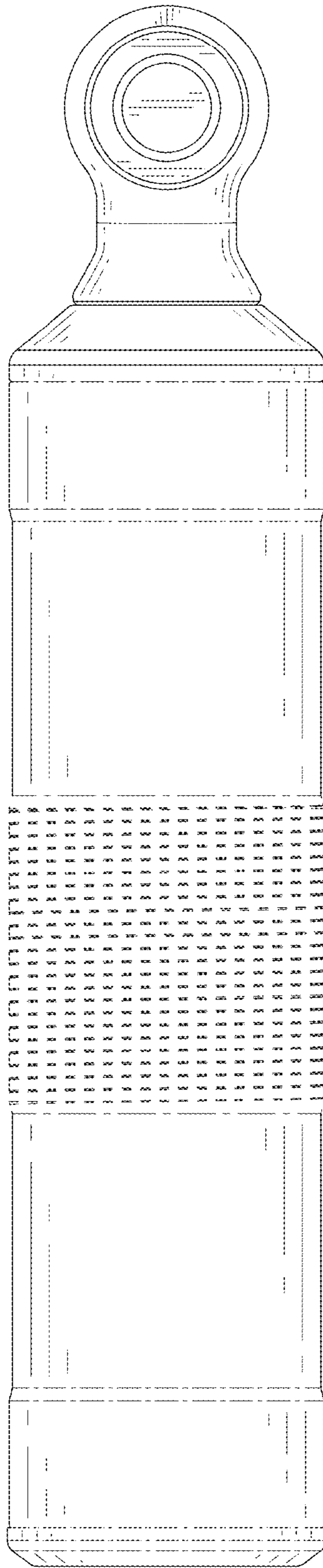


FIG. 6

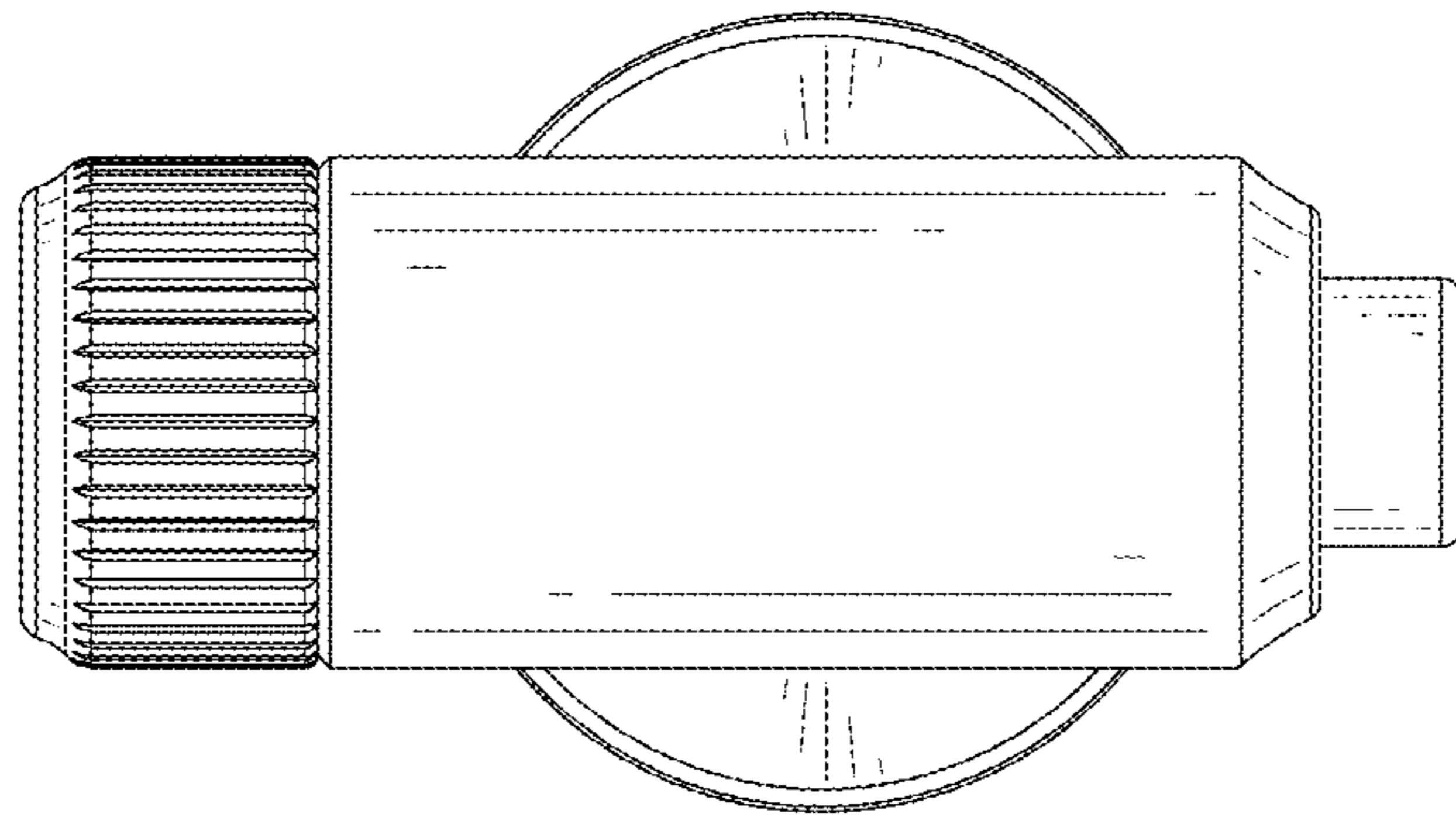


FIG. 7

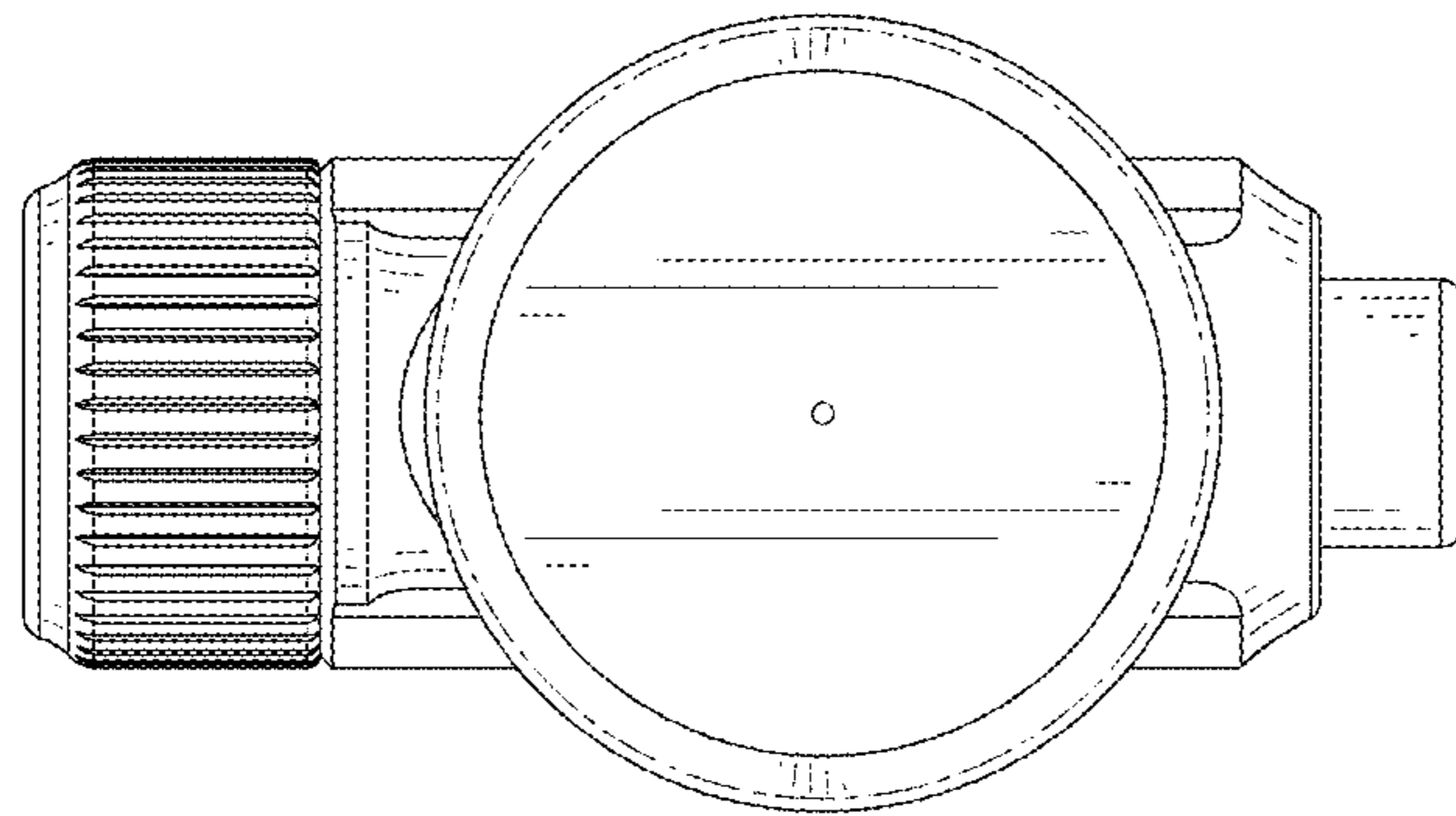


FIG. 8

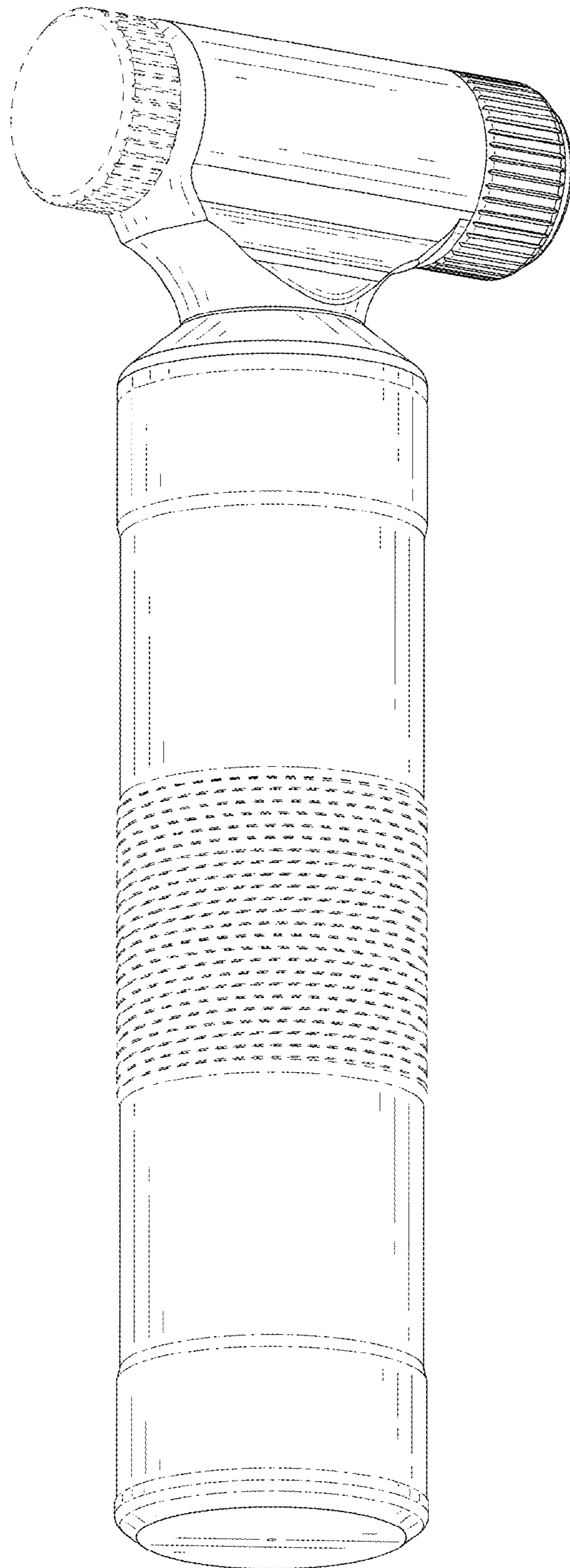


FIG. 9

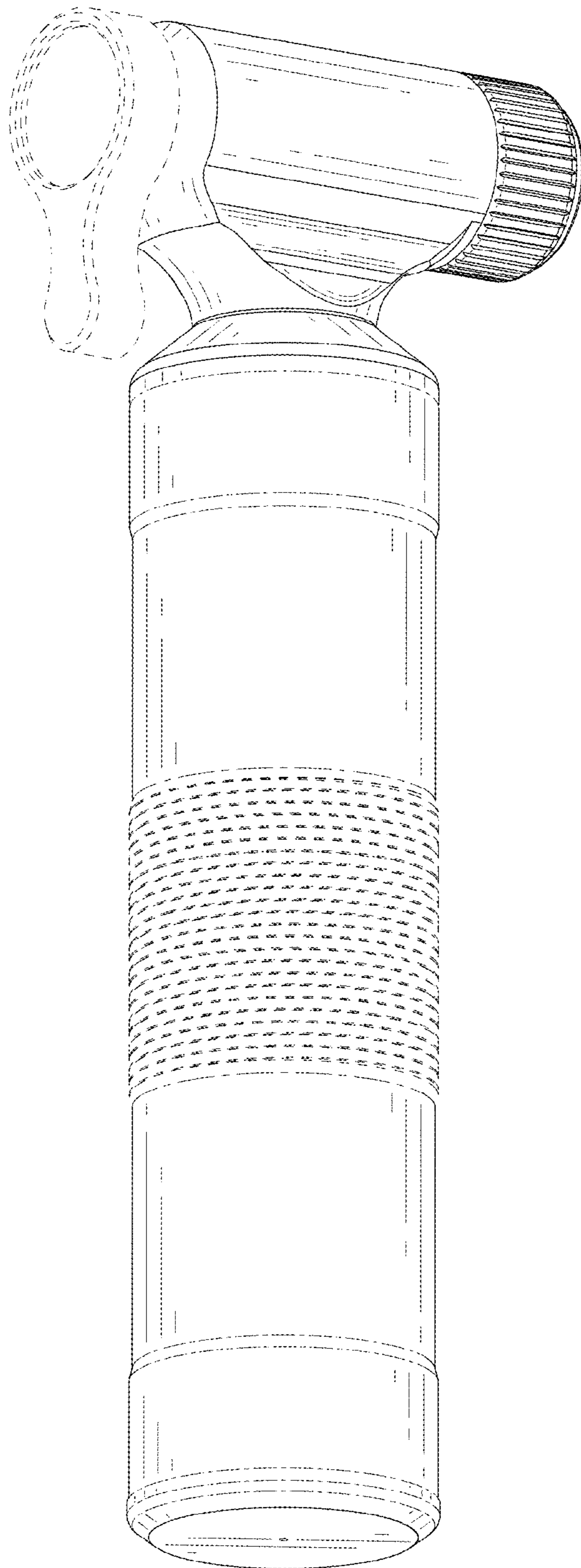


FIG. 10