



US00D914764S

(12) **United States Design Patent**
Marchant

(10) **Patent No.:** **US D914,764 S**

(45) **Date of Patent:** **** Mar. 30, 2021**

(54) **OUTBOARD BOAT MOTOR PLATE**

(71) Applicant: **Jack H. Marchant**, Harleyville, SC
(US)

(72) Inventor: **Jack H. Marchant**, Harleyville, SC
(US)

(**) Term: **15 Years**

(21) Appl. No.: **29/678,902**

(22) Filed: **Jan. 31, 2019**

(51) **LOC (13) Cl.** **15-01**

(52) **U.S. Cl.**
USPC **D15/4**

(58) **Field of Classification Search**
USPC D15/4-5; D8/16, 354, 359, 371-373,
D8/380, 382; D12/223
CPC B63H 5/16; B63H 5/125; B63H 20/02;
B63H 20/06; B63H 20/08; B63H 20/106
See application file for complete search history.

(56) **References Cited**

U.S. PATENT DOCUMENTS

- 3,934,829 A * 1/1976 Coucher B02C 7/11
241/259.1
- D247,783 S * 4/1978 Killian D22/107
- D263,730 S * 4/1982 Oribin D21/839
- D272,356 S * 1/1984 Hall D15/4
- 4,776,295 A * 10/1988 Kline B63H 25/44
114/144 R
- D324,991 S * 3/1992 Gary D8/354
- D366,235 S * 1/1996 Schmidt D12/187
- D375,101 S * 10/1996 Icenogle 440/66
- D399,319 S * 10/1998 Andrews D24/181
- 6,132,271 A * 10/2000 Hebert B63H 20/06
440/53
- 6,305,996 B1 * 10/2001 Detwiler B63H 20/106
248/641
- D483,651 S * 12/2003 Sander D8/349
- D533,828 S * 12/2006 Reimitz D12/223

- 7,416,459 B1 * 8/2008 Pelini B63H 20/106
440/61 R
- 7,513,810 B1 * 4/2009 Pelini B63H 20/10
440/61 R
- D652,411 S * 1/2012 Crawford D14/238
- 8,636,553 B1 * 1/2014 Corn B63H 20/34
440/66
- D751,968 S * 3/2016 Boyce
- D754,527 S * 4/2016 Green D8/349

(Continued)

OTHER PUBLICATIONS

Edson marine, Stern Rail Outboard Motor Mount for 1" Railing, (site visited Jun. 4, 2020), westmarine.com, URL:<https://www.westmarine.com/buy/edson-marine--stern-rail-outboard-motor-mount-for-1-railing--303760?recordNum=2> (Year: 2020).*

(Continued)

Primary Examiner — Sheryl Lane
Assistant Examiner — Mark T Philipps
(74) *Attorney, Agent, or Firm* — Gregory Finch; Finch Paolino, LLC

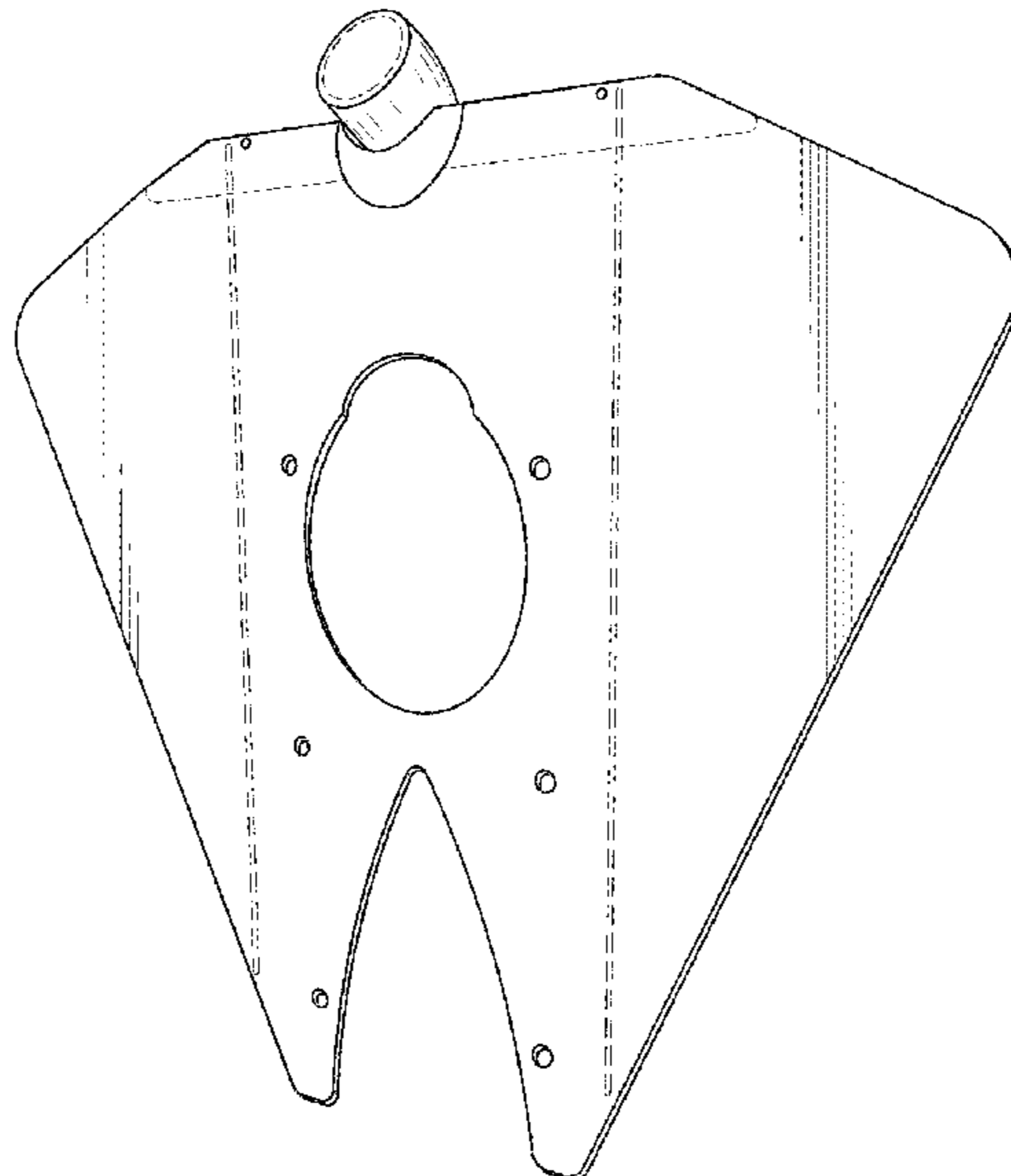
(57) **CLAIM**

The ornamental design for an outboard boat motor plate, as shown and described.

DESCRIPTION

FIG. 1 is an isometric view of the claimed outboard boat motor plate, embodying the present design; FIG. 2 is a front side view thereof; FIG. 3 is a rear side view thereof; FIG. 4 is a right side view thereof; FIG. 5 is a left side view thereof; FIG. 6 is a top down plan view thereof; and, FIG. 7 is a bottom up plan view thereof. FIGS. 1-3, 6 and 7 show broken lines that represent portions of the outboard boat motor plate and form no part of the claimed design.

1 Claim, 7 Drawing Sheets



(56)

References Cited

U.S. PATENT DOCUMENTS

D815,151 S * 4/2018 Layton D15/5
D815,459 S * 4/2018 Mann D6/545
D836,421 S * 12/2018 Luscombe D8/354
10,150,547 B1 * 12/2018 Pelini B63H 20/106
D841,695 S * 2/2019 Pirolo D15/5
D870,524 S * 12/2019 Burch, V D8/16
2004/0262488 A1 * 12/2004 Kozubski B63H 20/106
248/642
2005/0142958 A1 * 6/2005 Garcia B63H 20/285
440/71
2005/0279912 A1 * 12/2005 Kozubski B63H 20/106
248/642
2009/0142973 A1 * 6/2009 Witte B63H 20/106
440/53
2011/0111654 A1 * 5/2011 Porta B63H 20/106
440/61 R
2017/0203825 A1 * 7/2017 Woodruff B63B 7/087
2019/0193826 A1 * 6/2019 Swift B63H 20/06

OTHER PUBLICATIONS

MagiDeal, ABS Outboard Transom Mounting Plate 30x9.3cm Motor Boat Dinghy Yacht Fishing Rafting Sailing Boating Accessories, (site visited Jun. 4, 2020), Aliexpress.com, URL:<<https://www.aliexpress.com/i/32918393903.html>> (Year: 2020).*

* cited by examiner

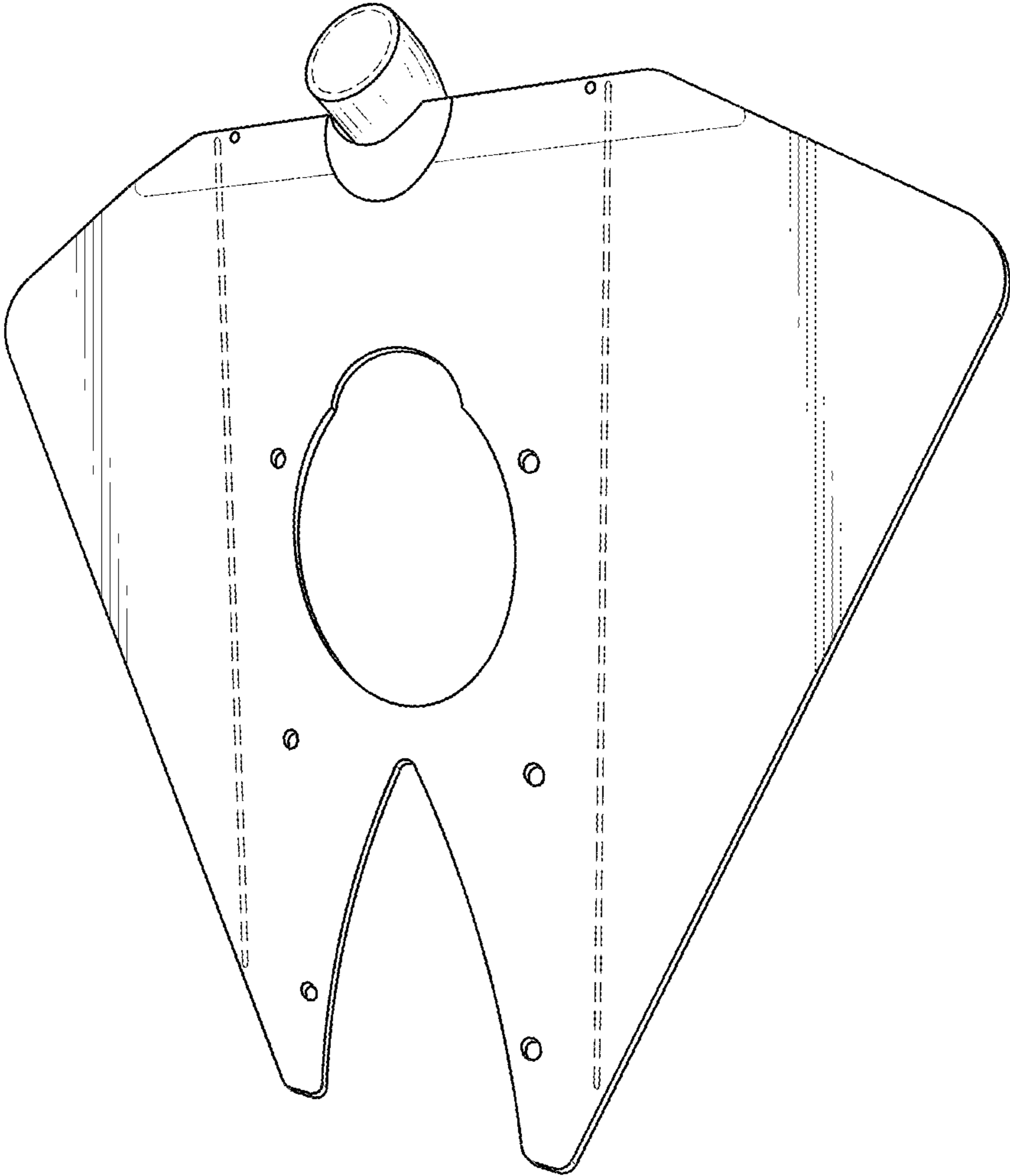


FIG. 1

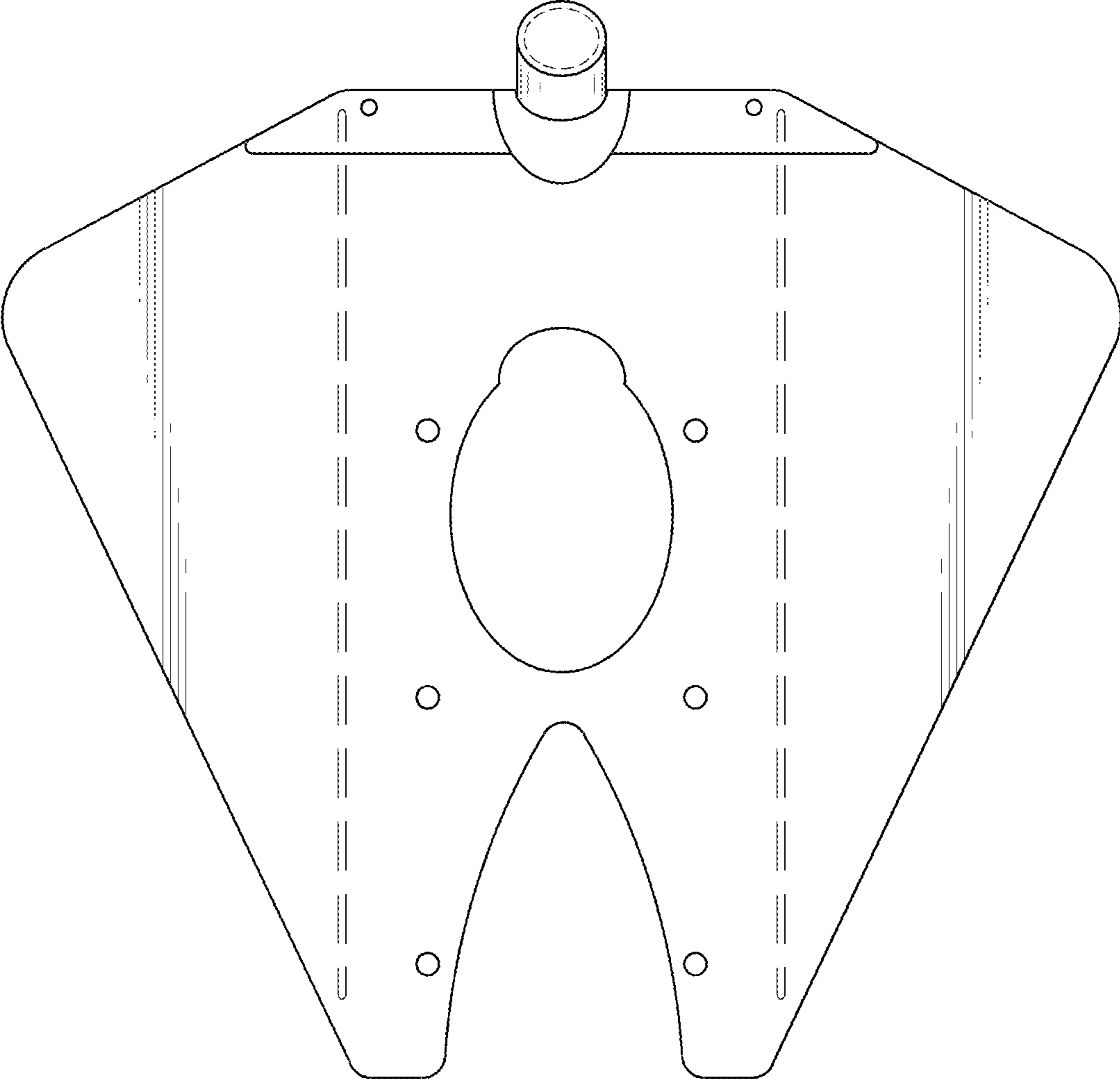


FIG. 2

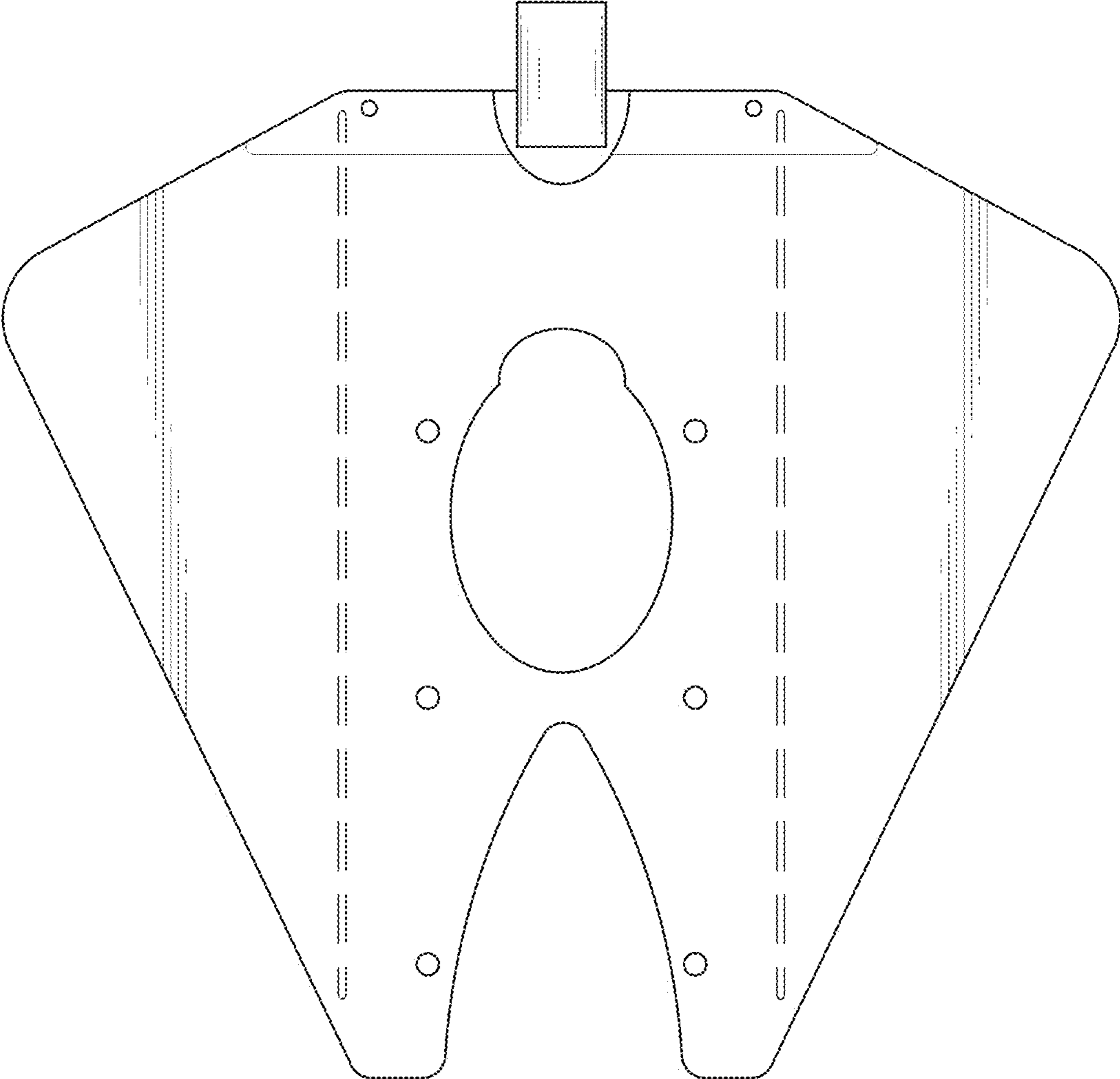


FIG. 3

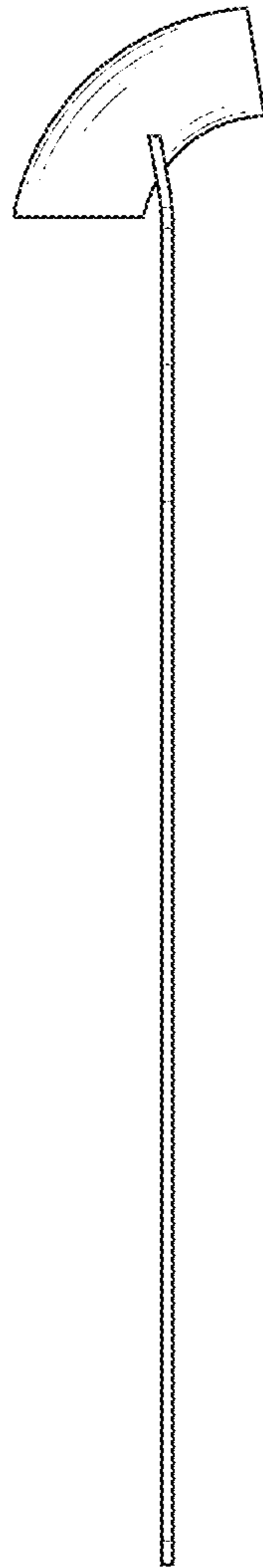


FIG. 4

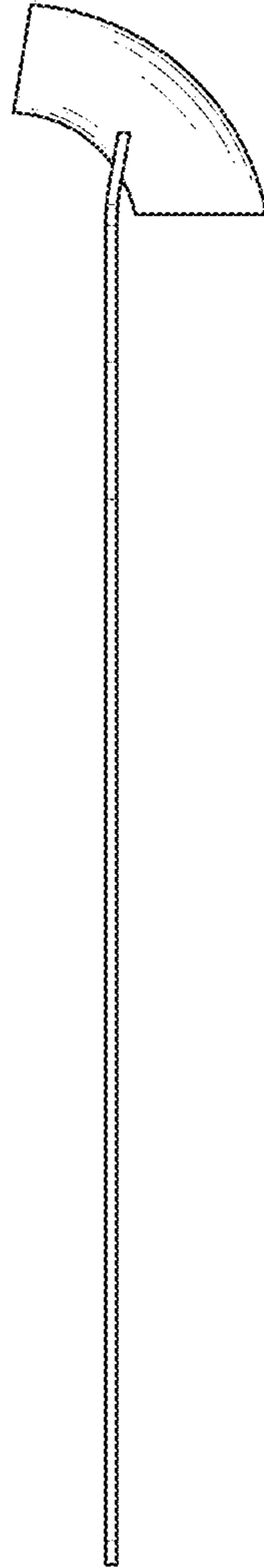


FIG. 5

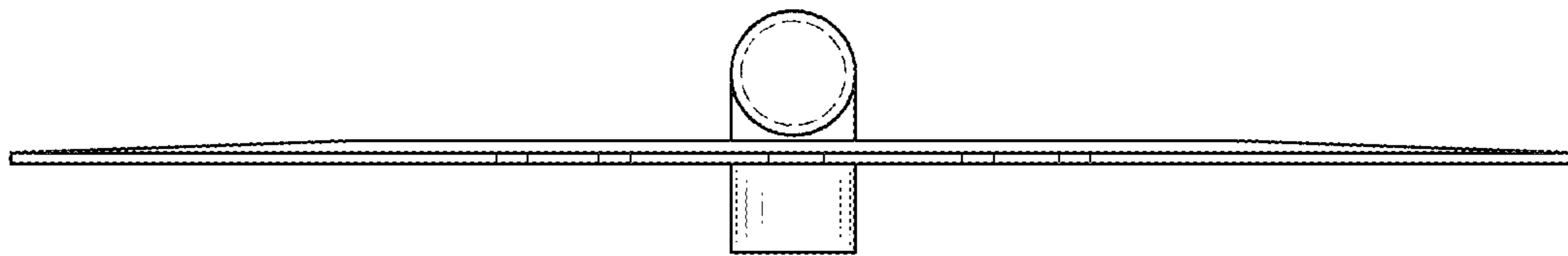


FIG. 6

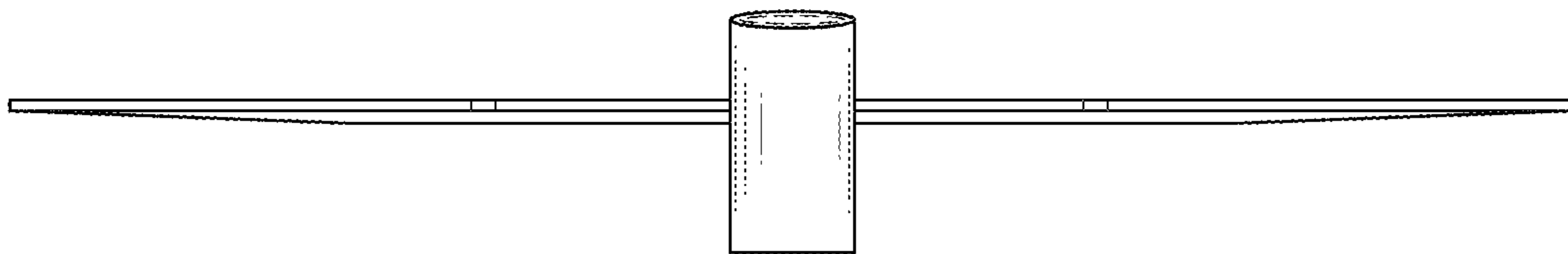


FIG. 7