



US00D914711S

(12) **United States Design Patent**
Nakafuji

(10) **Patent No.:** **US D914,711 S**

(45) **Date of Patent:** **** Mar. 30, 2021**

(54) **DISPLAY SCREEN WITH ANIMATED GRAPHICAL USER INTERFACE**

(71) Applicant: **Canon Kabushiki Kaisha**, Tokyo (JP)

(72) Inventor: **Nozomi Nakafuji**, Tokyo (JP)

(73) Assignee: **Canon Kabushiki Kaisha**, Tokyo (JP)

(**) Term: **15 Years**

(21) Appl. No.: **29/722,467**

(22) Filed: **Jan. 30, 2020**

(30) **Foreign Application Priority Data**

Jul. 30, 2019 (JP) 2019-016963

(51) **LOC (13) Cl.** **14-04**

(52) **U.S. Cl.**
USPC **D14/485**

(58) **Field of Classification Search**
USPC D14/485–495
CPC G06F 3/048–04897
See application file for complete search history.

(56) **References Cited**

U.S. PATENT DOCUMENTS

D651,611 S *	1/2012	Ouilhet	D14/489
D758,434 S *	6/2016	Lee	D14/489
D760,250 S *	6/2016	Myung	D14/485
D760,778 S *	7/2016	Lee	D14/489
D765,097 S *	8/2016	Harvell	D14/485
D765,099 S *	8/2016	Kim	D14/485

(Continued)

OTHER PUBLICATIONS

Co-pending Design U.S. Appl. No. 29/722,471, filed Jan. 30, 2020

Primary Examiner — Andrew T Nemeth

(74) *Attorney, Agent, or Firm* — Venable LLP

(57) **CLAIM**

The ornamental design for a display screen with animated graphical user interface, as shown and described.

DESCRIPTION

FIG. 1 is a front view of a first image in a sequence for a display screen with animated graphical user interface showing my new design;

FIG. 2 is a front view of a second image thereof;

FIG. 3 is a front view of a third image thereof;

FIG. 4 is a front view of a fourth image thereof;

FIG. 5 is a front view of a fifth image thereof;

FIG. 6 is a front view of a sixth image thereof;

FIG. 7 is a front view of a seventh image thereof;

FIG. 8 is a front view of an eighth image thereof;

FIG. 9 is another view of FIG. 1 with additional broken line subject matter;

FIG. 10 is another view of FIG. 2 with additional broken line subject matter;

FIG. 11 is another view of FIG. 3 with additional broken line subject matter;

FIG. 12 is another view of FIG. 4 with additional broken line subject matter;

FIG. 13 is another view of FIG. 5 with additional broken line subject matter;

FIG. 14 is another view of FIG. 6 with additional broken line subject matter;

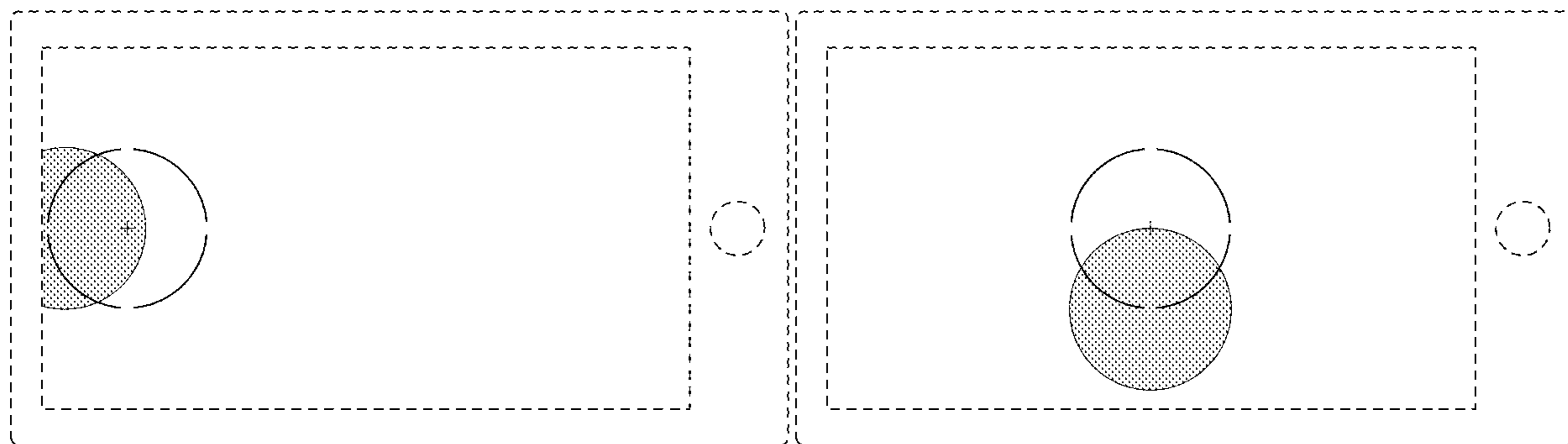
FIG. 15 is another view of FIG. 7 with additional broken line subject matter; and,

FIG. 16 is another view of FIG. 8 with additional broken line subject matter.

The appearance of the animated graphical user interface sequentially transitions between the images shown in FIGS. 1-8 and between the images shown in FIGS. 9-16. The process or period in which one image transitions to another image forms no part of the claimed design.

The broken lines in the figures illustrate a computer and portions of the display screen with animated graphical user interface that form no part of the claimed design.

1 Claim, 8 Drawing Sheets



(56)

References Cited

U.S. PATENT DOCUMENTS

D767,629 S * 9/2016 Gupta D14/492
D781,880 S * 3/2017 Jeon D14/485
9,594,980 B1 * 3/2017 Graham A61B 6/5241
9,626,589 B1 * 4/2017 Graham G06K 9/34
D795,284 S * 8/2017 Miller D14/487
D801,384 S * 10/2017 Jeon D14/489
D803,850 S * 11/2017 Chang D14/485
D810,124 S * 2/2018 Wilberding D14/488
D819,072 S * 5/2018 Clediere D14/487
D819,677 S * 6/2018 Sabatelli G06F 3/04847
D14/486
D820,877 S * 6/2018 Inman D14/487
D821,441 S * 6/2018 Wilberding D14/488
D822,054 S * 7/2018 Persson D14/487
D844,014 S * 3/2019 Kim D14/485
D870,125 S * 12/2019 Shim D14/485
D889,509 S * 7/2020 Choi D14/489
D898,769 S * 10/2020 Park D14/490
2013/0326380 A1 * 12/2013 Lai G01C 21/32
715/765
2013/0326407 A1 * 12/2013 van Os G06F 3/04883
715/810
2017/0357317 A1 * 12/2017 Chaudhri G06F 3/016

* cited by examiner

FIG. 1

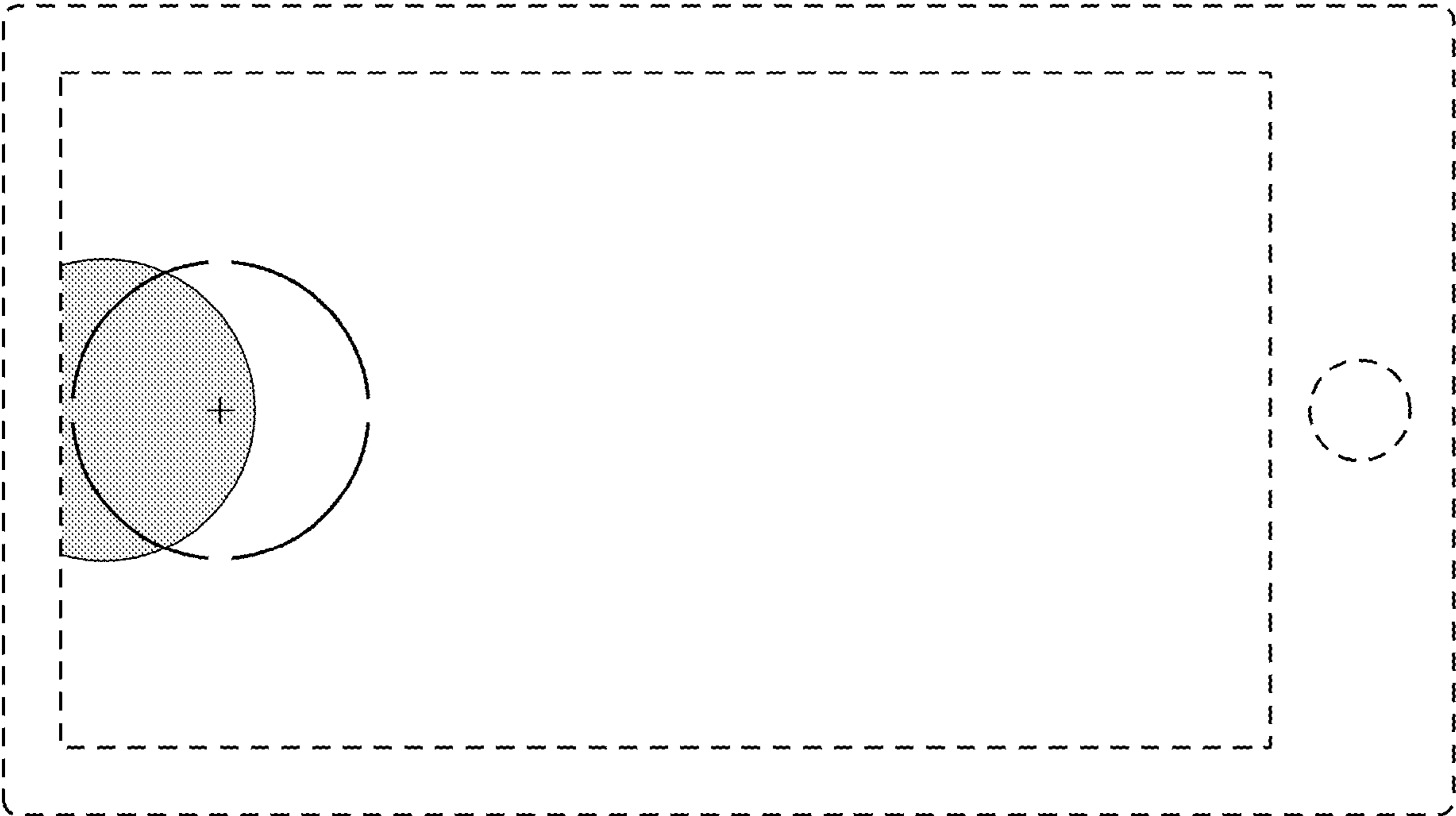


FIG. 2

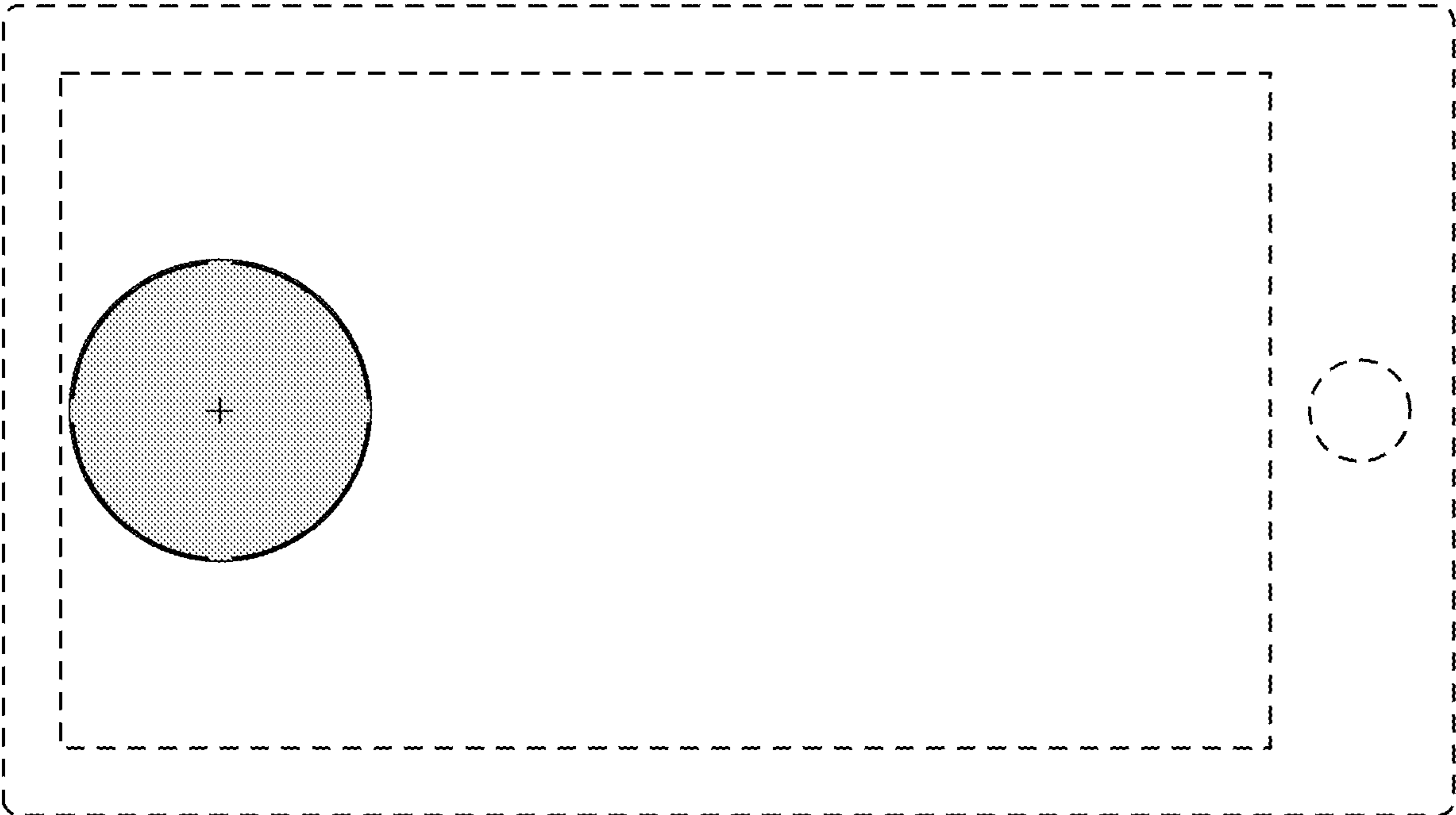


FIG. 3

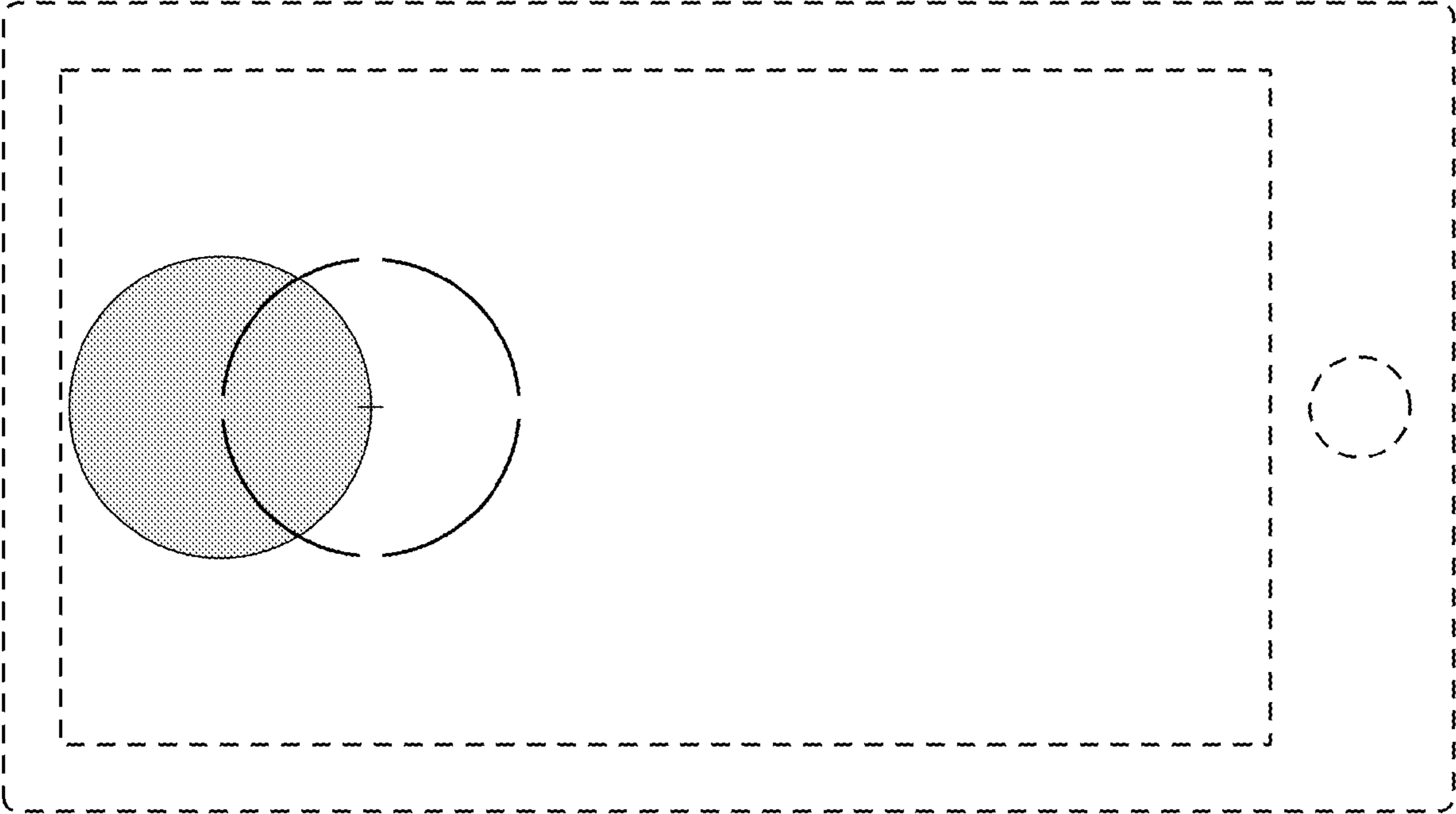


FIG. 4

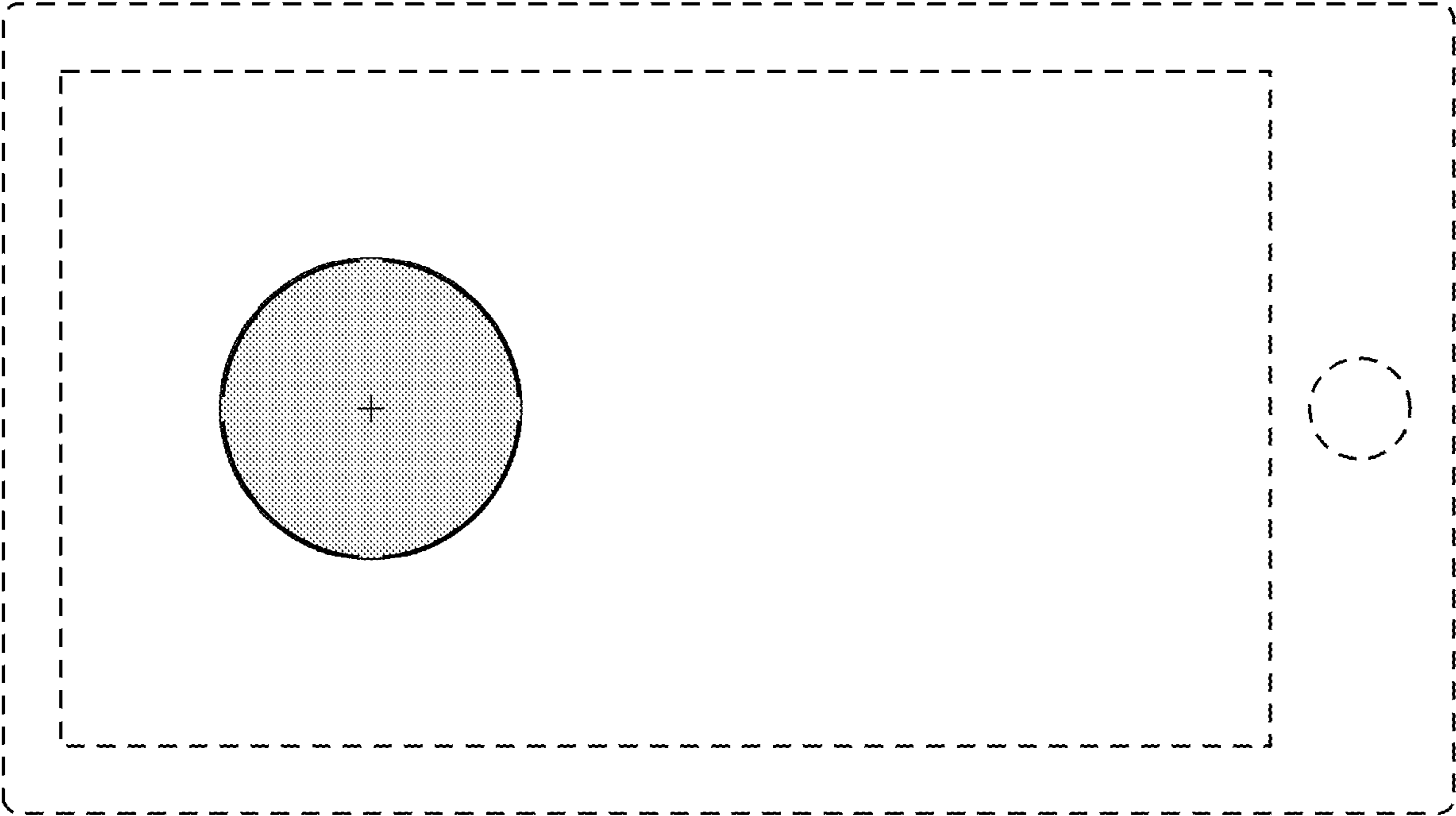


FIG. 5

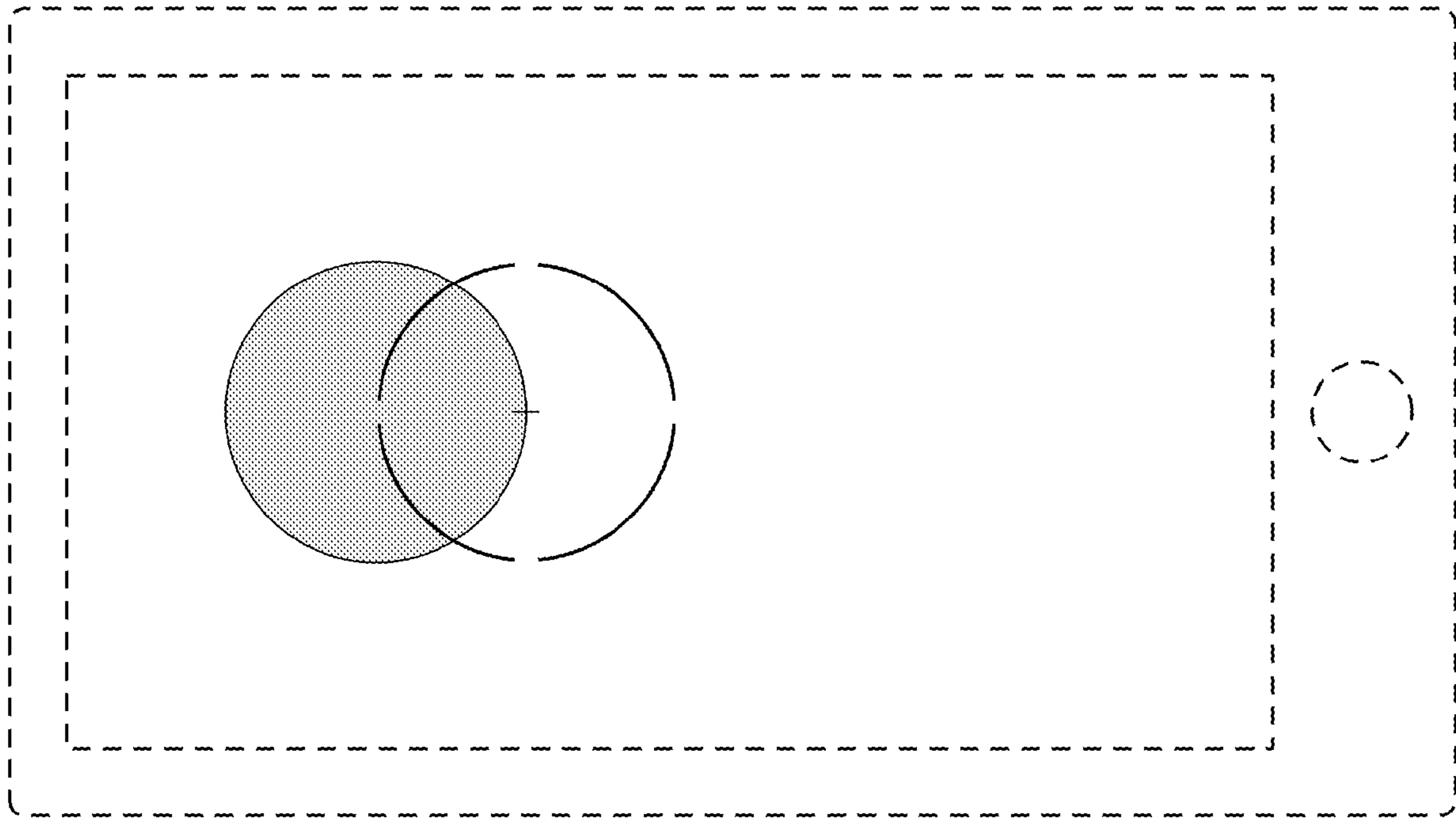


FIG. 6

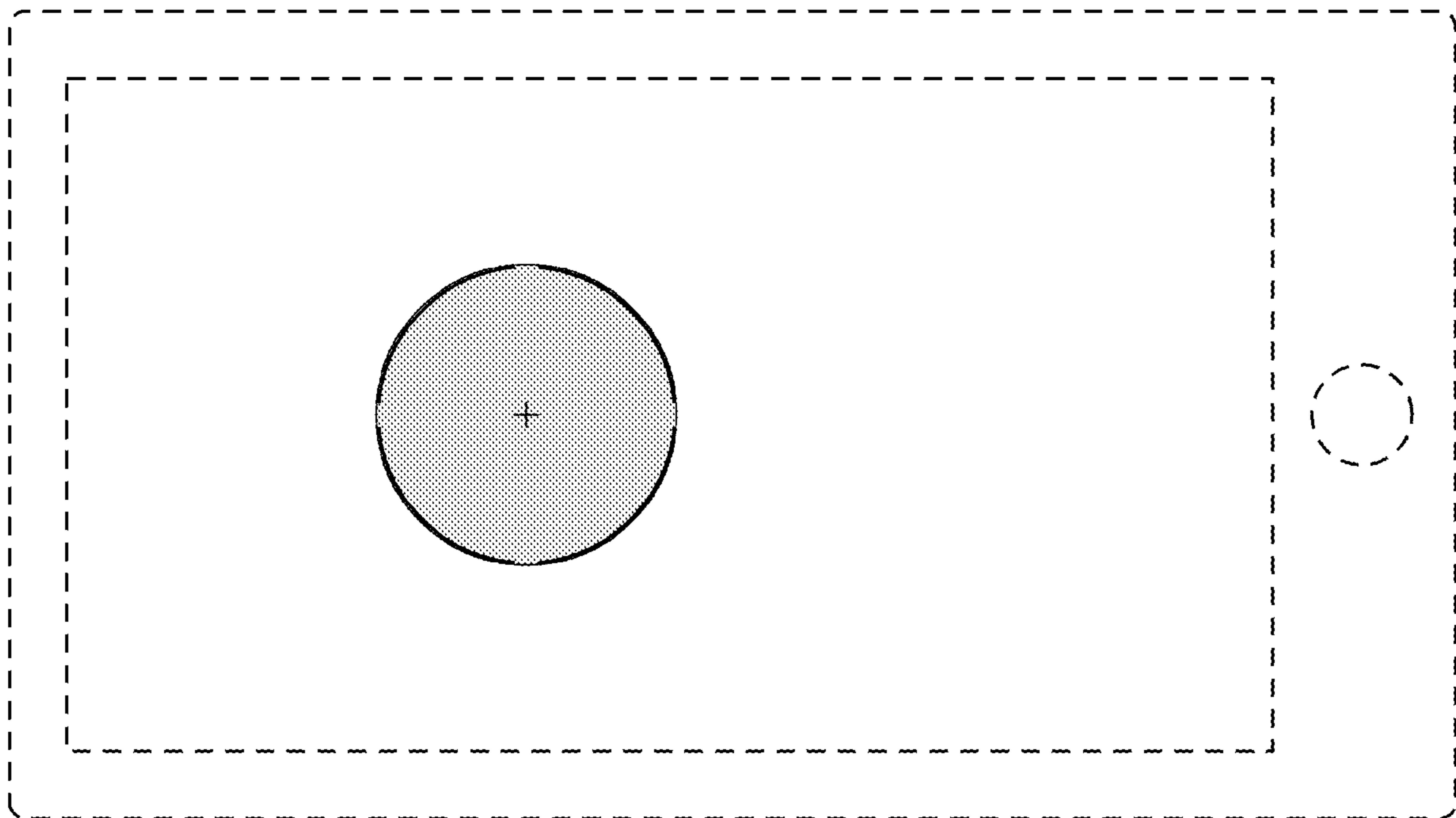


FIG. 7

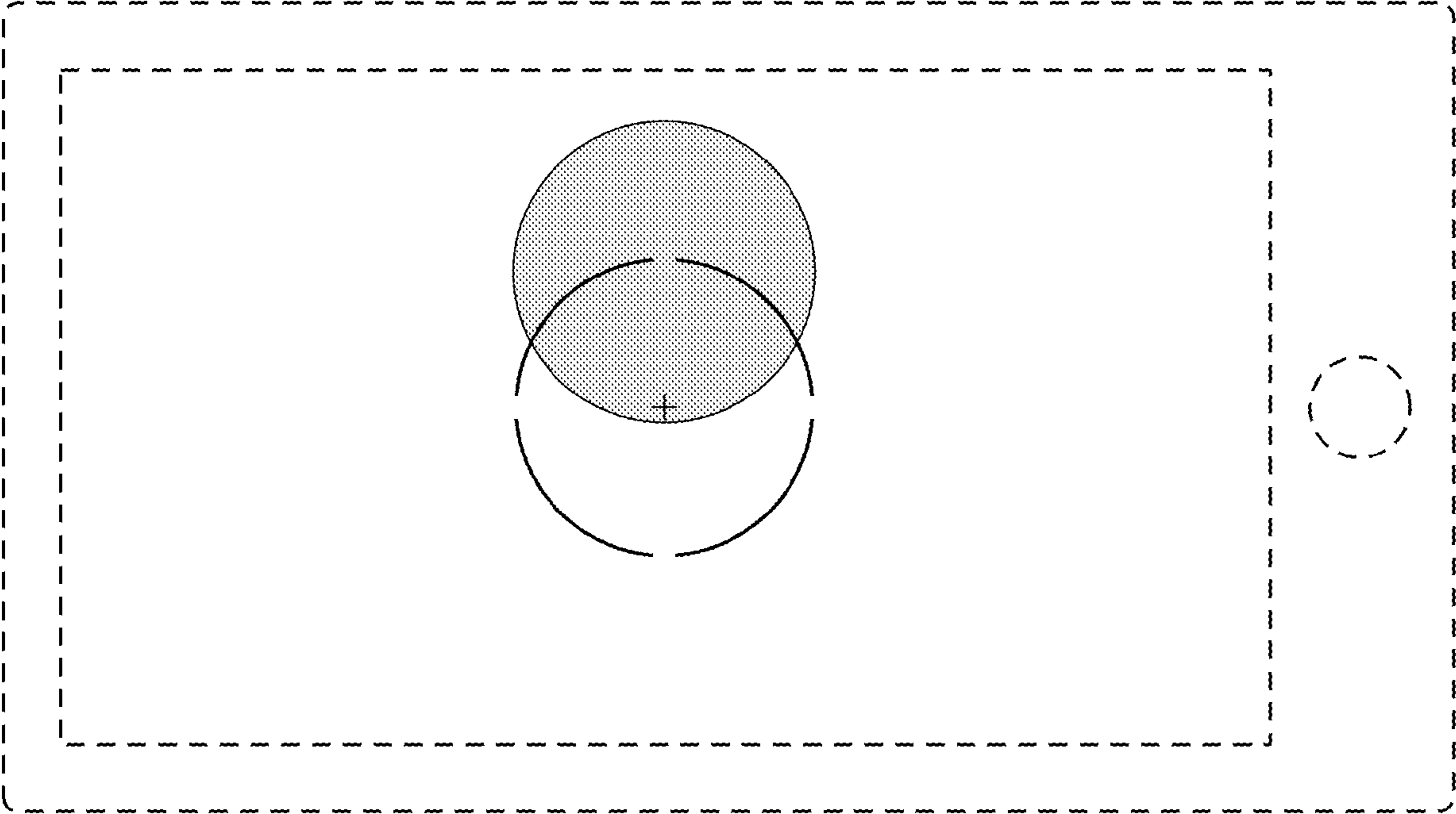


FIG. 8

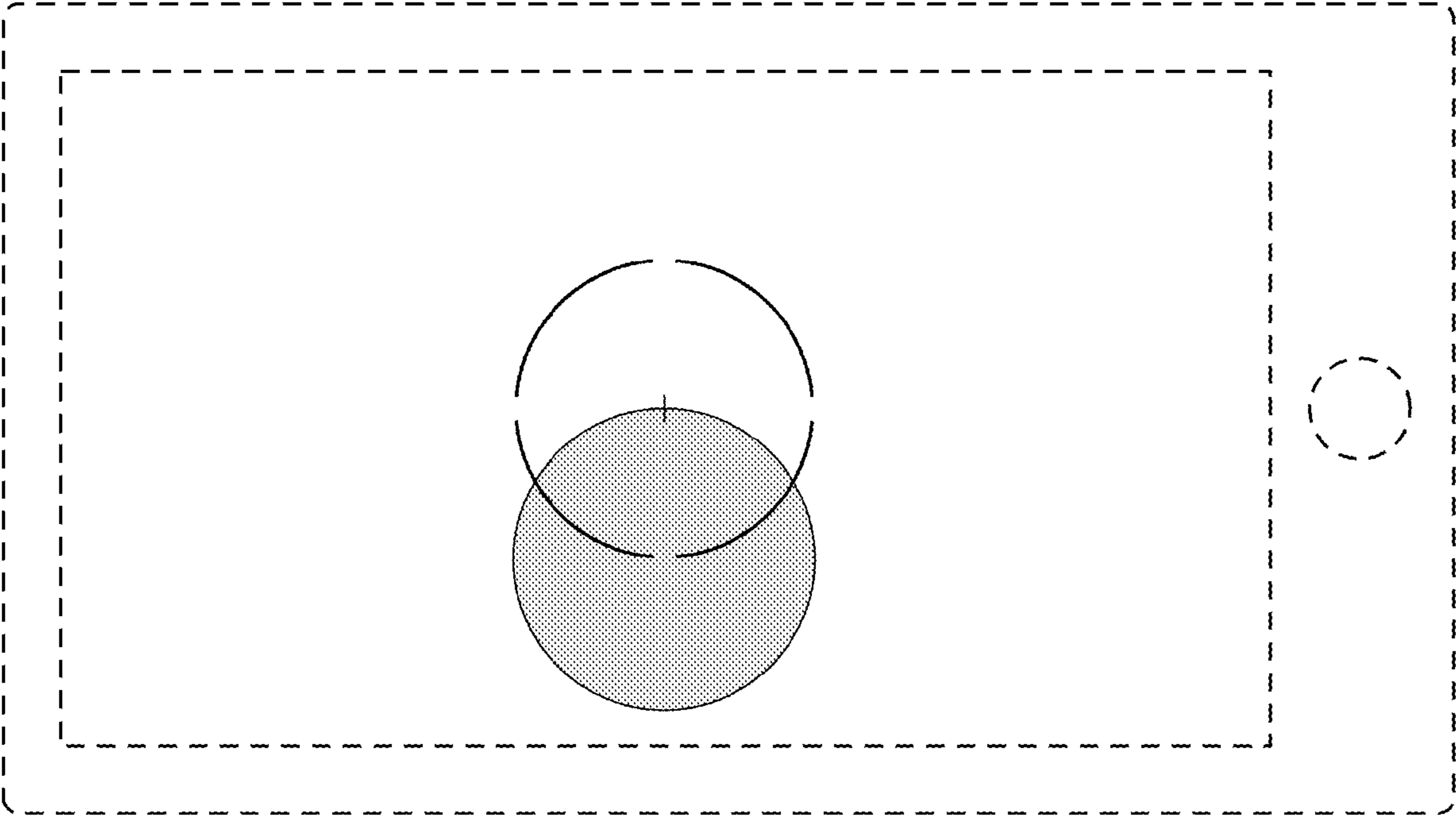


FIG. 9

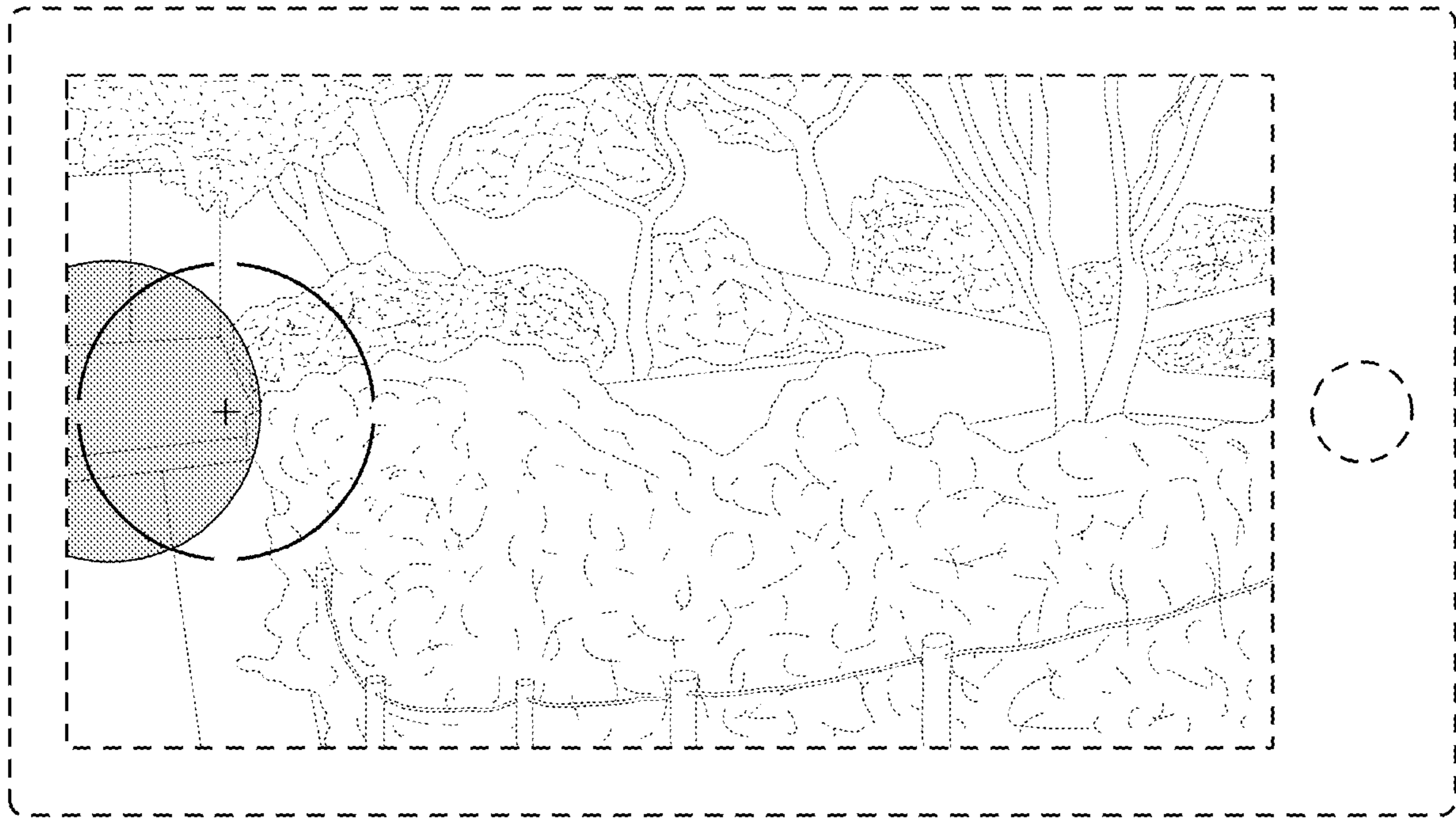


FIG. 10

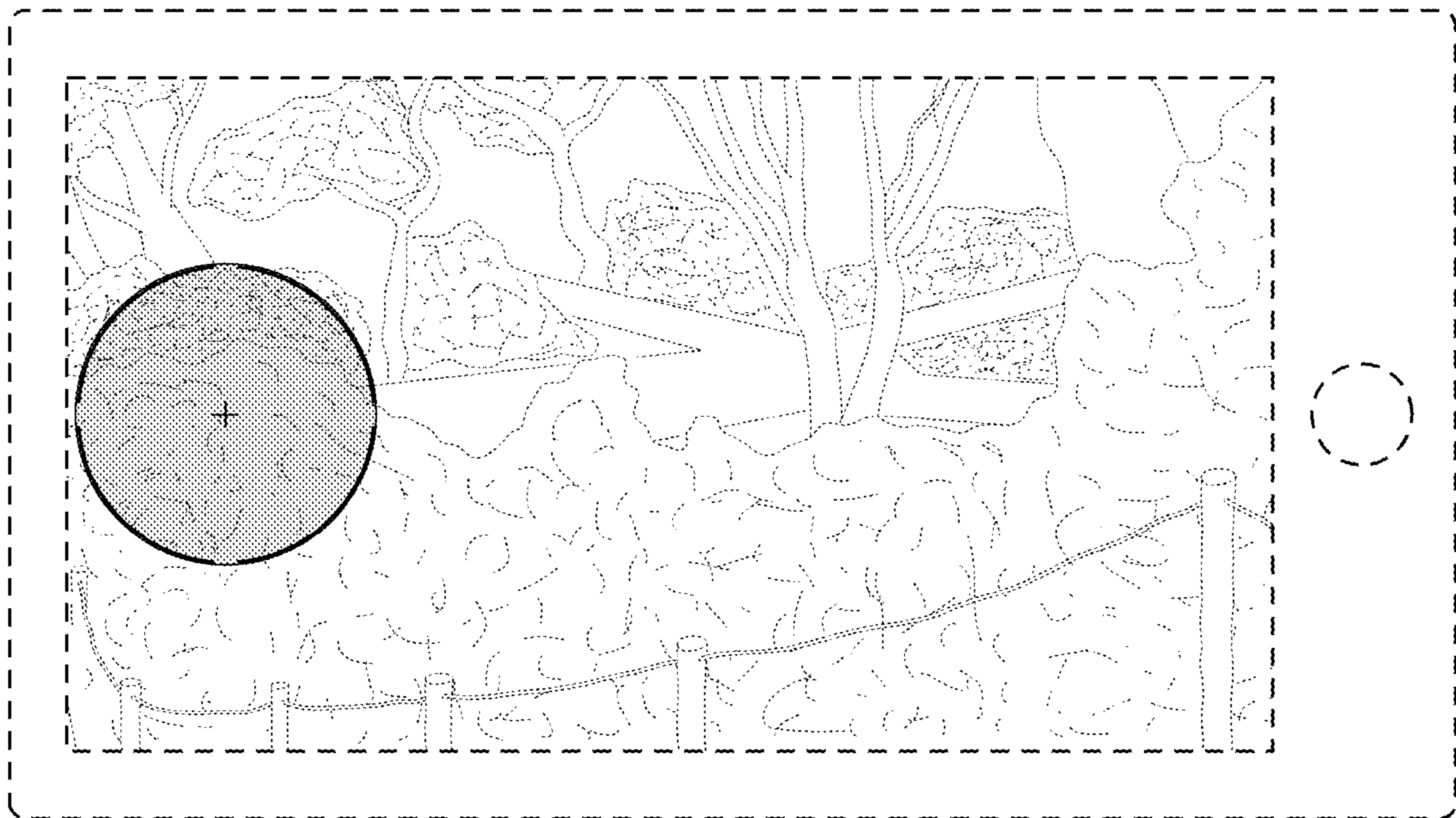


FIG. 11

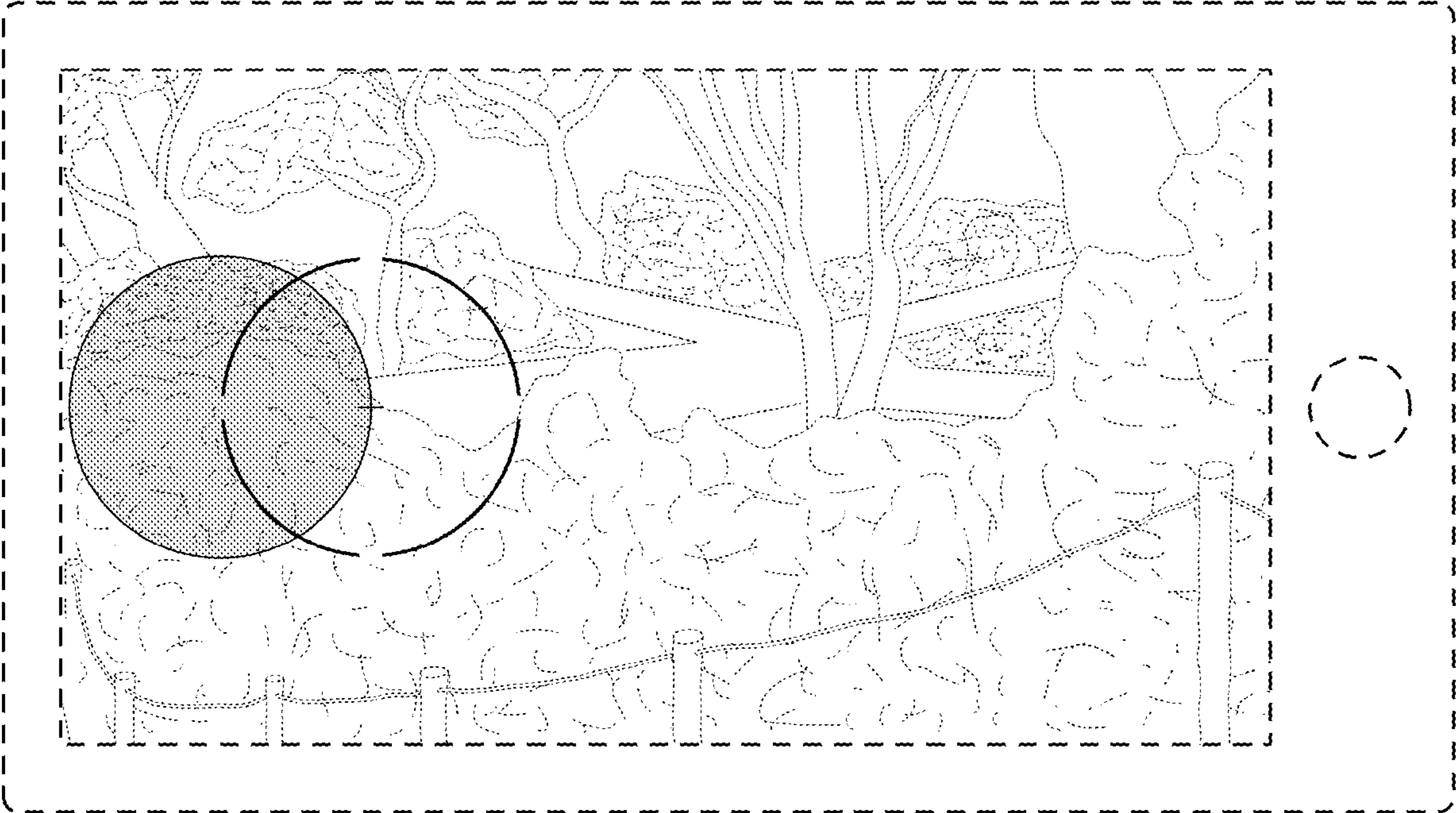


FIG. 12

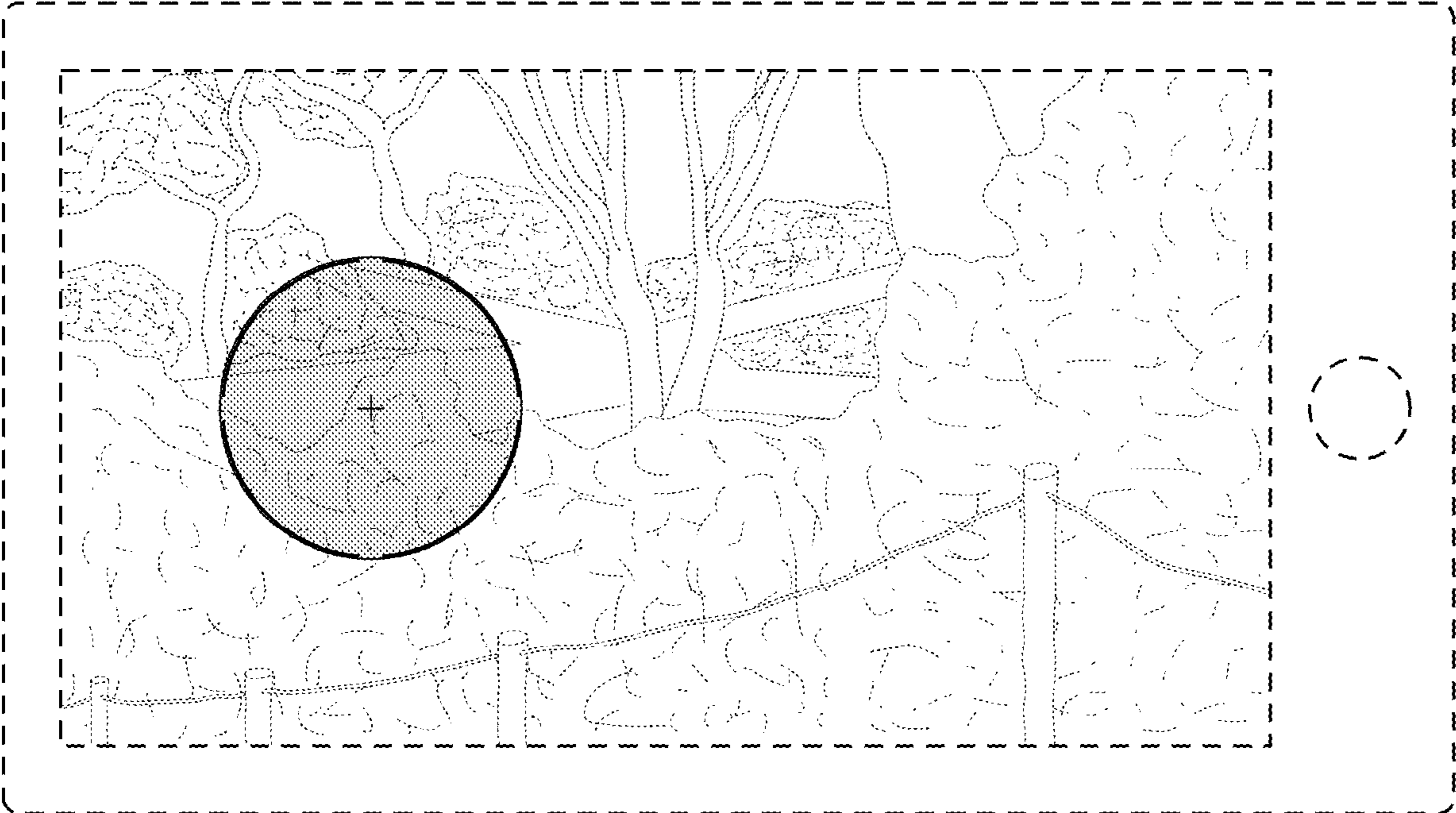


FIG. 13

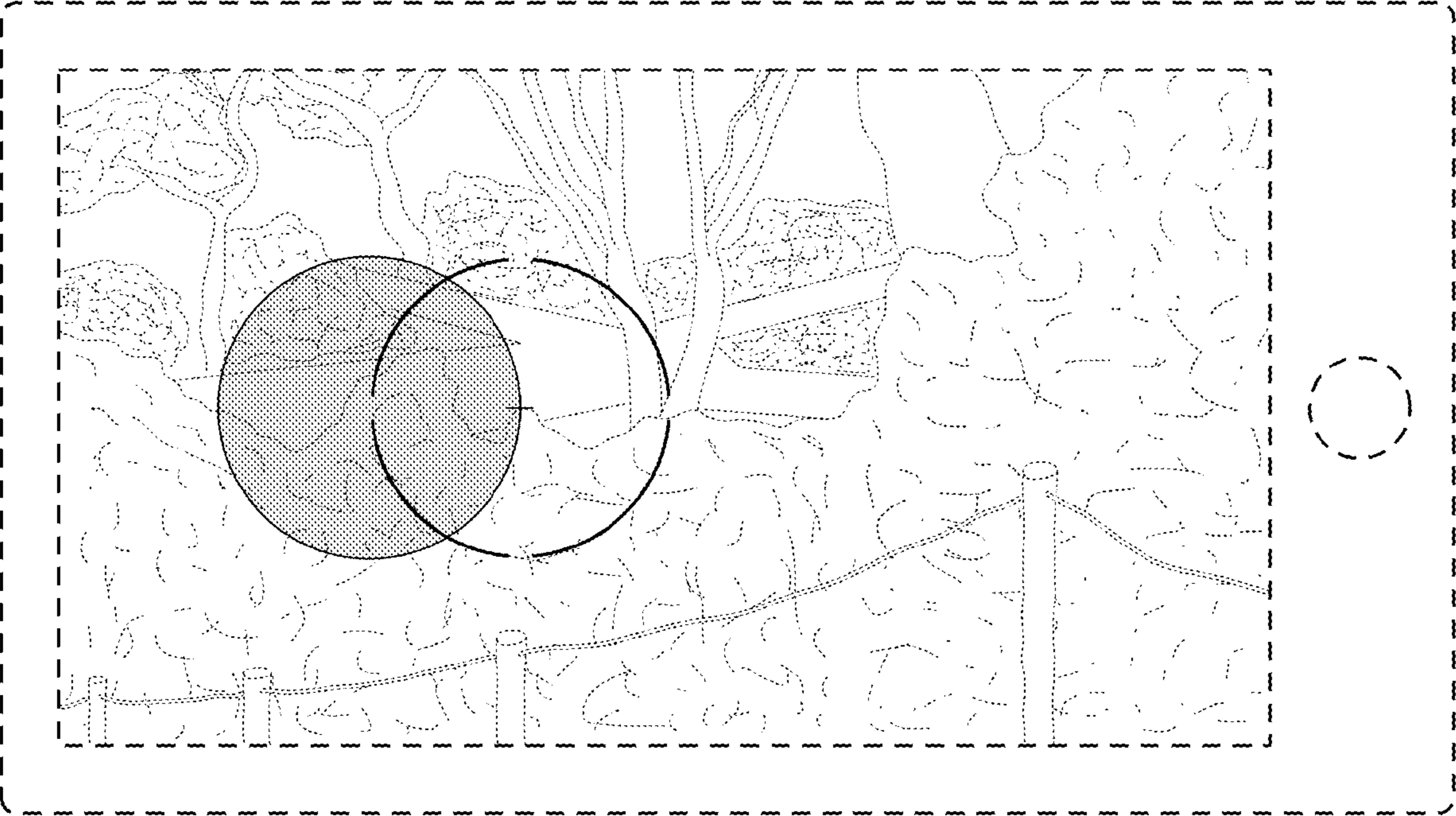


FIG. 14

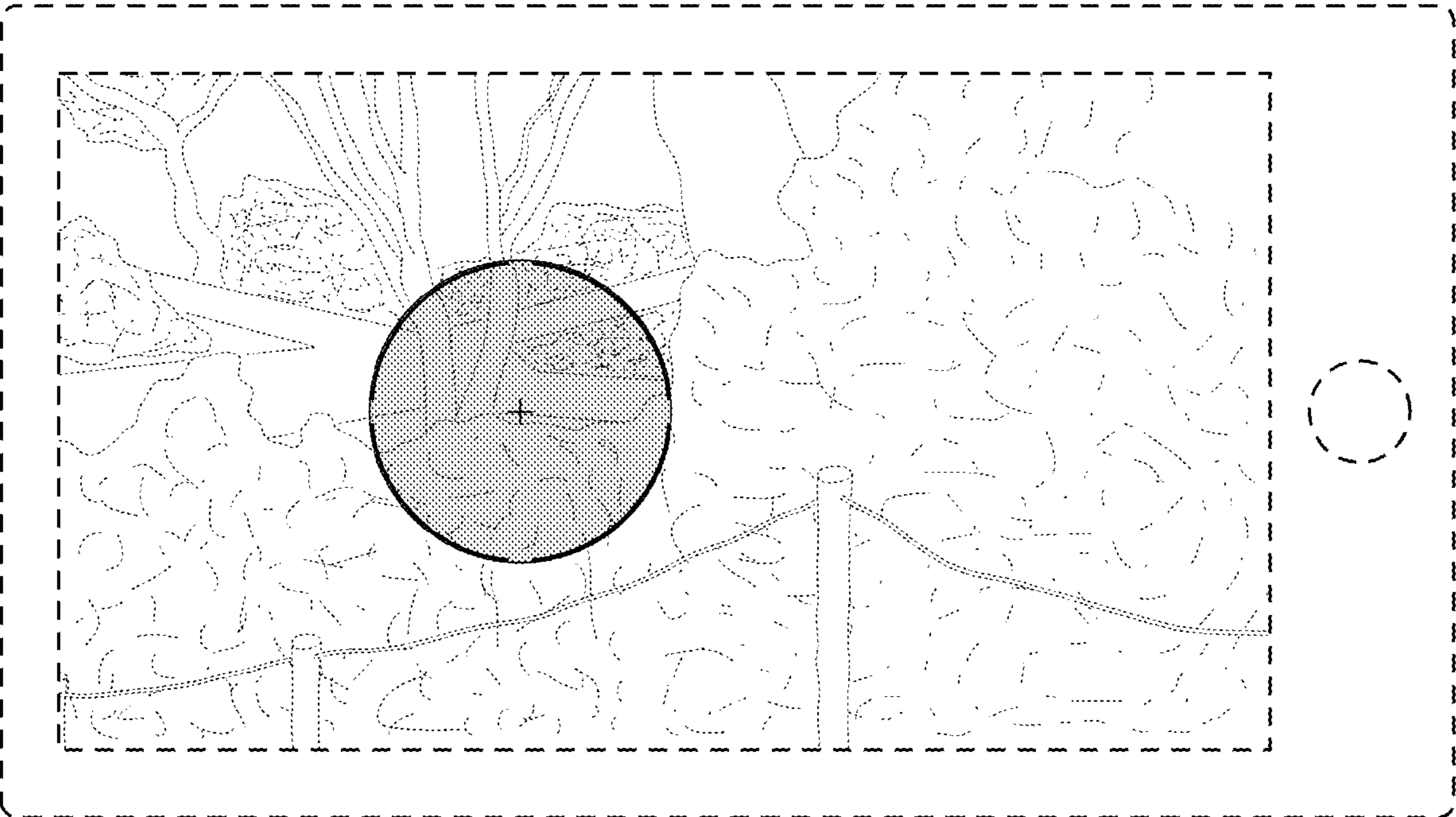


FIG. 15

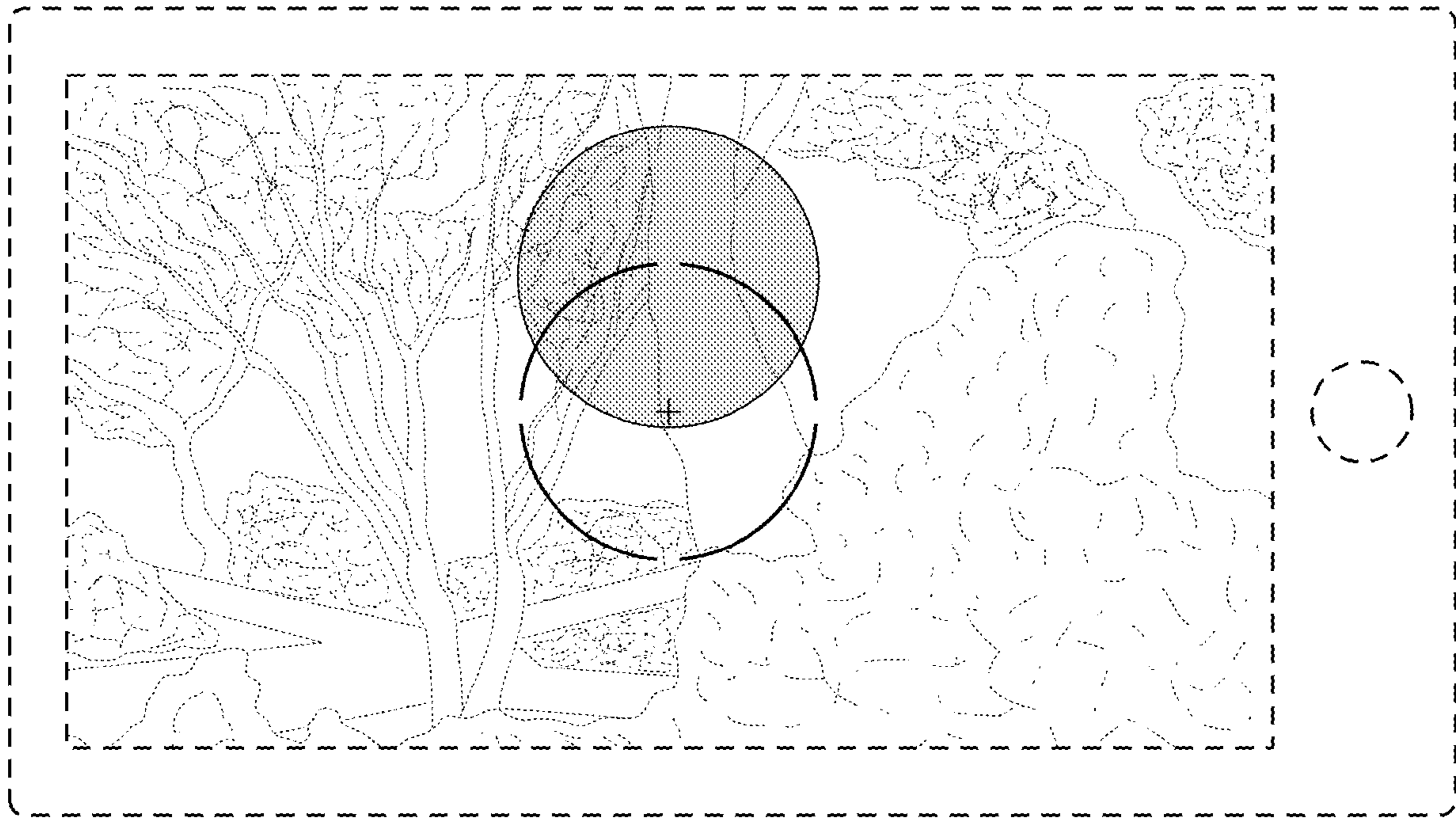


FIG. 16

