



US00D914692S

(12) **United States Design Patent** (10) **Patent No.:** **US D914,692 S**  
**Lyu** (45) **Date of Patent:** **\*\* Mar. 30, 2021**

(54) **DISPLAY STAND**

(56) **References Cited**

(71) Applicant: **SHENZHEN PRIME TECHNOLOGY CO., LTD**, Shenzhen (CN)

(72) Inventor: **Yaqi Lyu**, Shenzhen (CN)

(73) Assignee: **SHENZHEN PRIME TECHNOLOGY CO., LTD**, Shenzhen (CN)

(\*\*) Term: **15 Years**

(21) Appl. No.: **29/752,345**

(22) Filed: **Sep. 26, 2020**

**Related U.S. Application Data**

(63) Continuation-in-part of application No. 29/709,932, filed on Oct. 18, 2019, now Pat. No. Des. 910,645.

(51) **LOC (13) Cl.** ..... **14-02**

(52) **U.S. Cl.**  
USPC ..... **D14/451**

(58) **Field of Classification Search**  
USPC ..... D14/224, 239, 251, 253, 316, 375, 376, D14/432, 439, 447, 451, 452, 457; D6/396, 444, 449, 510, 511, 513, 655, D6/675, 675.1, 691.9; D34/38; D8/349, D8/355, 363, 373, 380; 108/51.3; 248/121, 124.1, 127, 201, 205.1, 313, 248/415, 917-24; 312/223.3; 211/134, 211/151; D19/87  
CPC ..... G06F 3/0412; G06F 3/016; G06F 3/0488; G06F 3/011; G06F 3/038; G06F 3/03543; G06F 3/0338; G06F 3/0202; G06F 3/0219; G06F 3/0213; G06F 1/1616; G06F 3/023; G06F 3/04883; G02F 1/13338; G09G 3/3648

See application file for complete search history.

**U.S. PATENT DOCUMENTS**

2,906,412	A *	9/1959	Tanner	.....	A47G 23/06
					211/74
D266,772	S *	11/1982	Sayers	.....	D19/85
5,318,284	A *	6/1994	Demmeler	.....	B23K 37/0461
					269/88
D406,709	S *	3/1999	Zarker, Jr.	.....	D6/691.1
5,901,763	A *	5/1999	You	.....	B23D 47/025
					144/286.1
D485,094	S	1/2004	Chang et al.		
D637,600	S *	5/2011	Leyva-Menendez	.....	D14/447
8,065,967	B2 *	11/2011	Wong	.....	B25H 1/02
					108/181
9,862,088	B2 *	1/2018	Luis y Prado	.....	B25H 1/08
D828,440	S *	9/2018	Trifilio	.....	D17/20
D857,705	S *	8/2019	Hu	.....	D14/451
D873,056	S	1/2020	Stafford et al.		
D873,060	S *	1/2020	Galiotto	.....	D6/691.8

(Continued)

*Primary Examiner* — Katie Jane Stofko

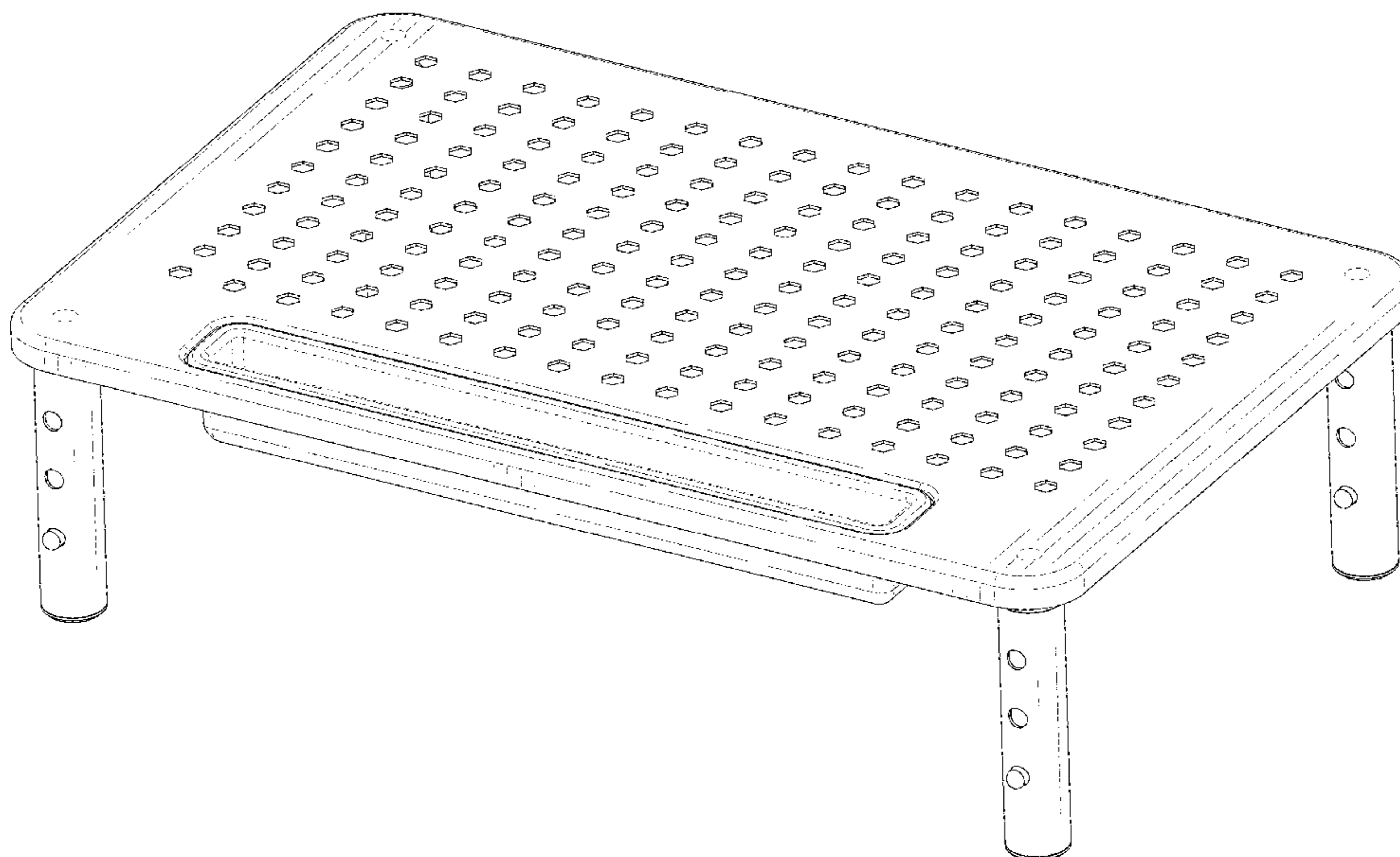
(57) **CLAIM**

The ornamental design for a display stand, as shown and described.

**DESCRIPTION**

FIG. 1 is a perspective view of a display stand showing my new design;  
FIG. 2 is another perspective view thereof;  
FIG. 3 is a front elevational view thereof;  
FIG. 4 is a rear elevational view thereof;  
FIG. 5 is a left side elevational view thereof;  
FIG. 6 is a right side elevational view thereof;  
FIG. 7 is a top plan view thereof; and,  
FIG. 8 is a bottom plan view thereof.  
The broken lines in the drawings depict portions of the display stand that form no part of the claimed design.

**1 Claim, 8 Drawing Sheets**



(56)

**References Cited**

U.S. PATENT DOCUMENTS

D880,913 S \* 4/2020 Kuo ..... D6/705  
D908,133 S \* 1/2021 Huang ..... D14/447

\* cited by examiner

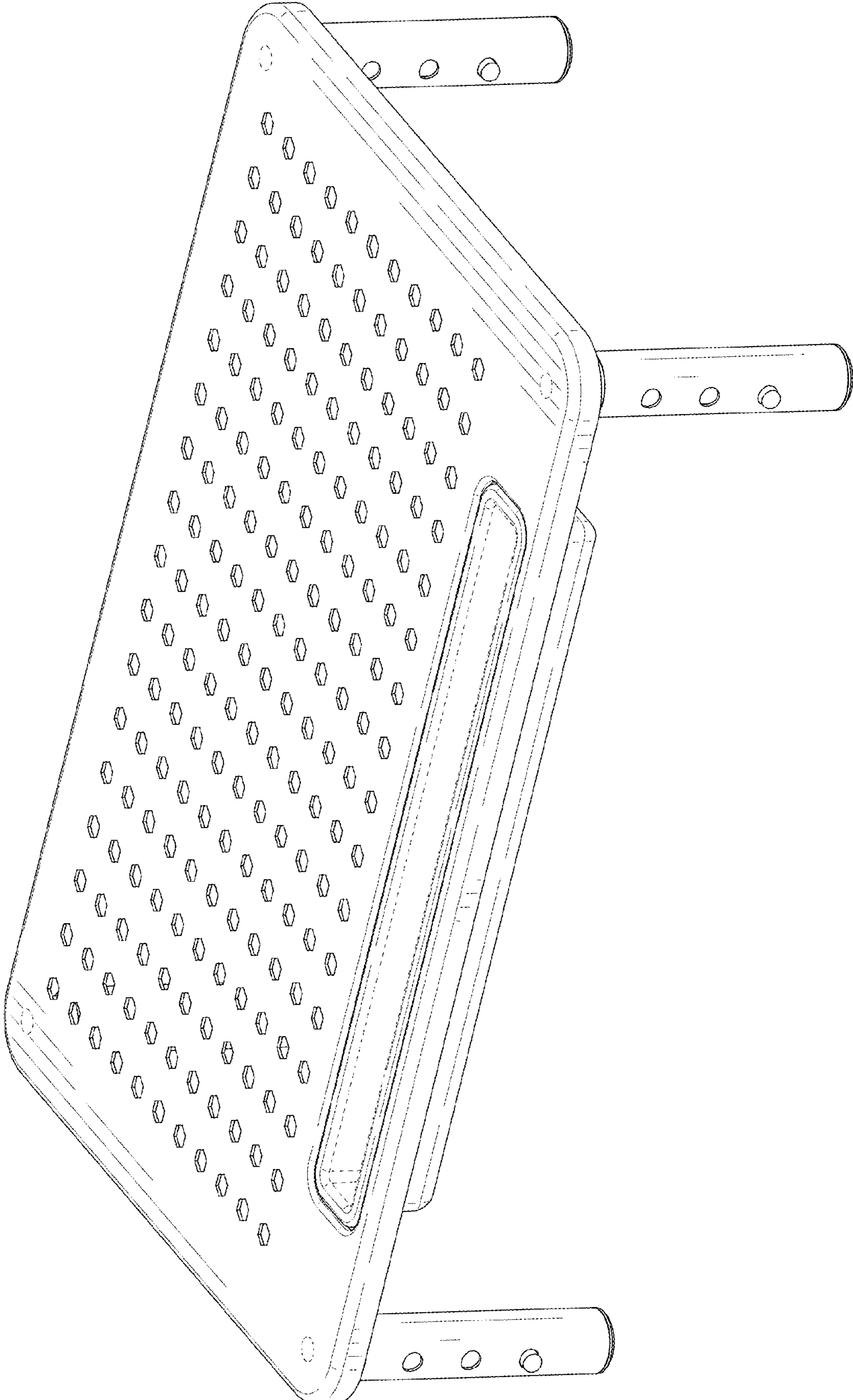


FIG. 1



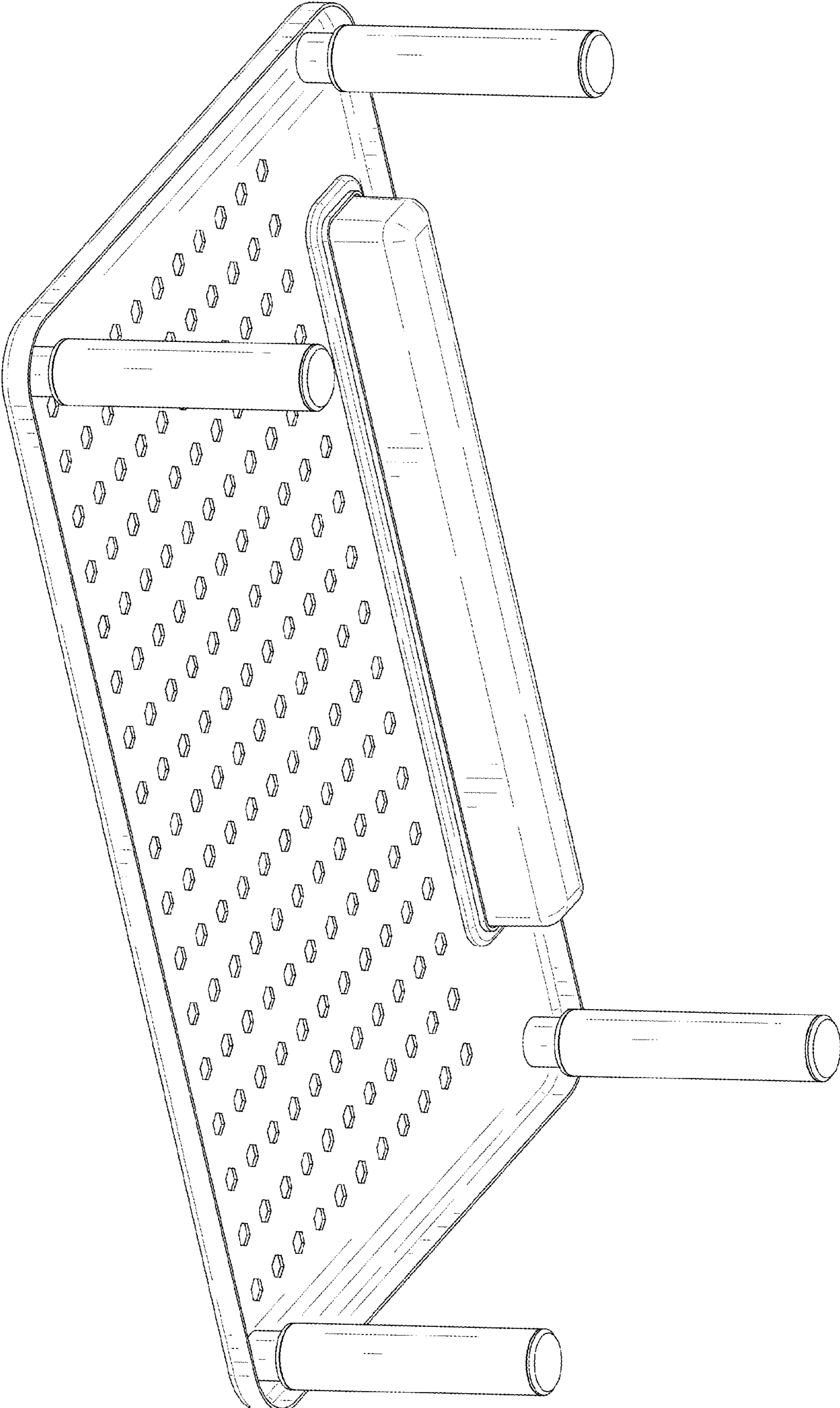


FIG. 2

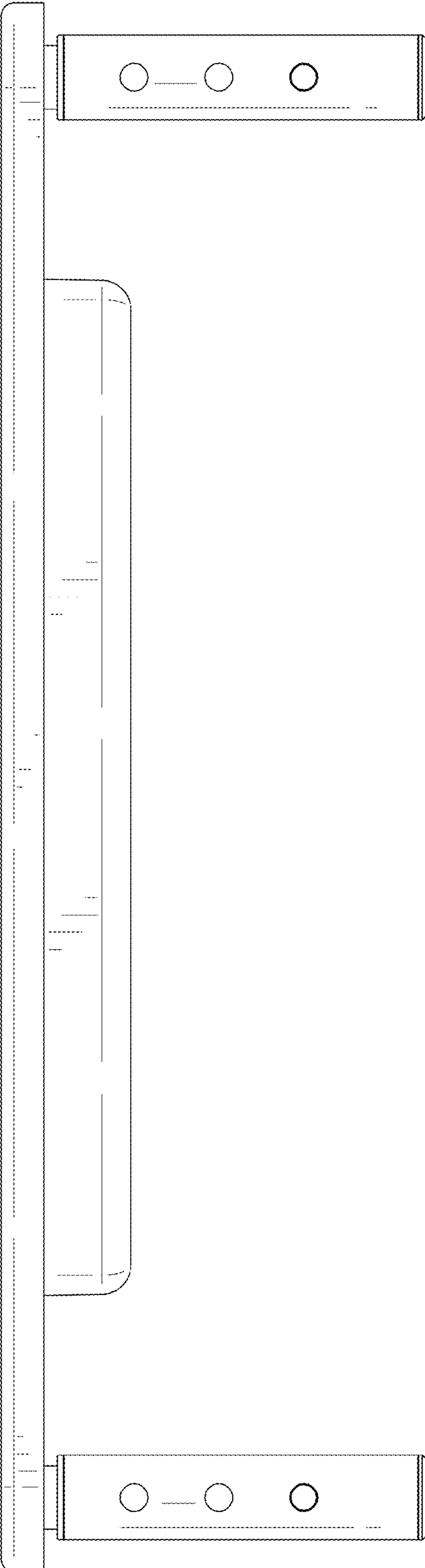


FIG. 3

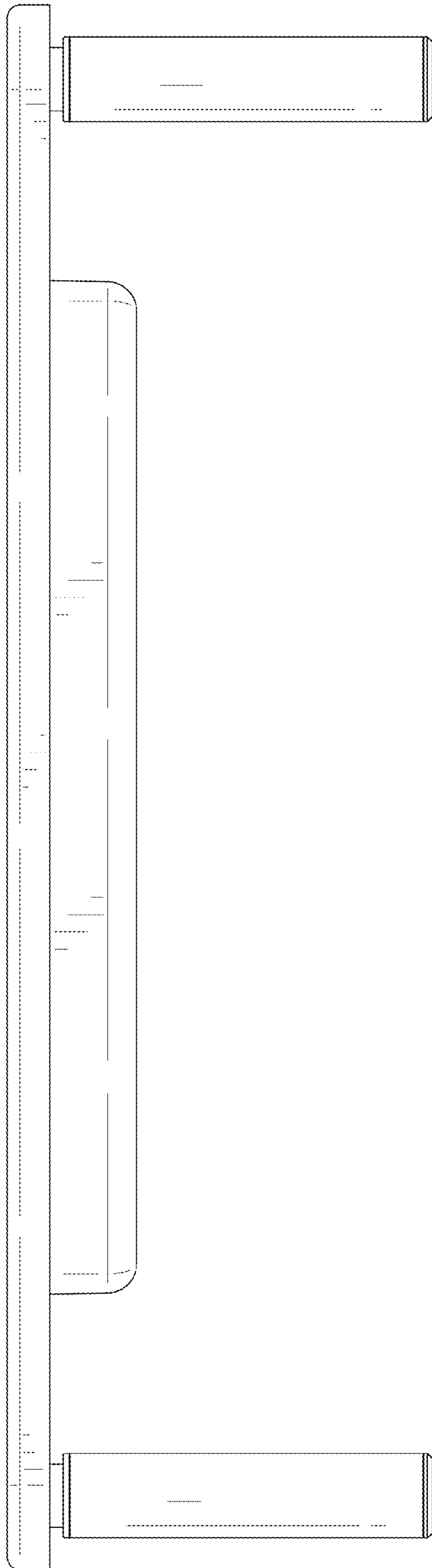


FIG. 4

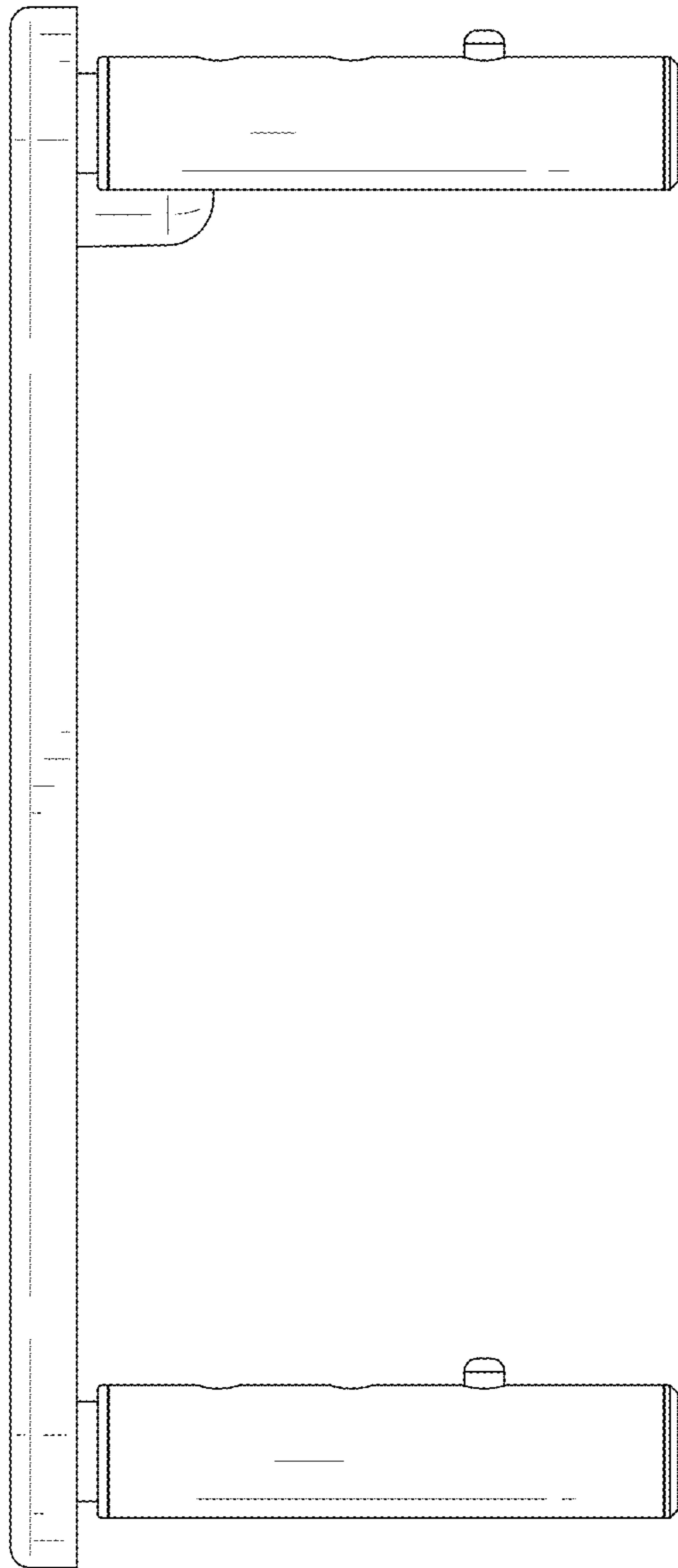


FIG. 5

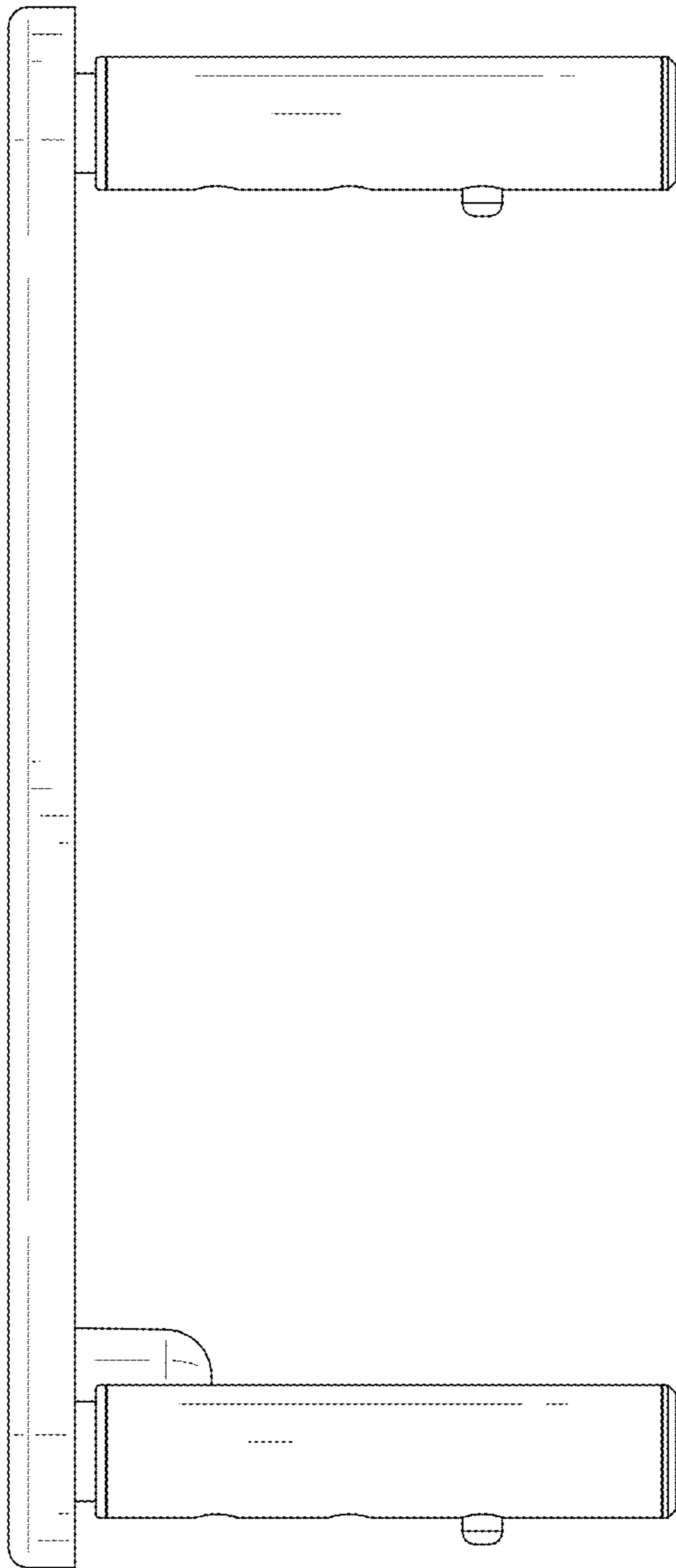


FIG. 6



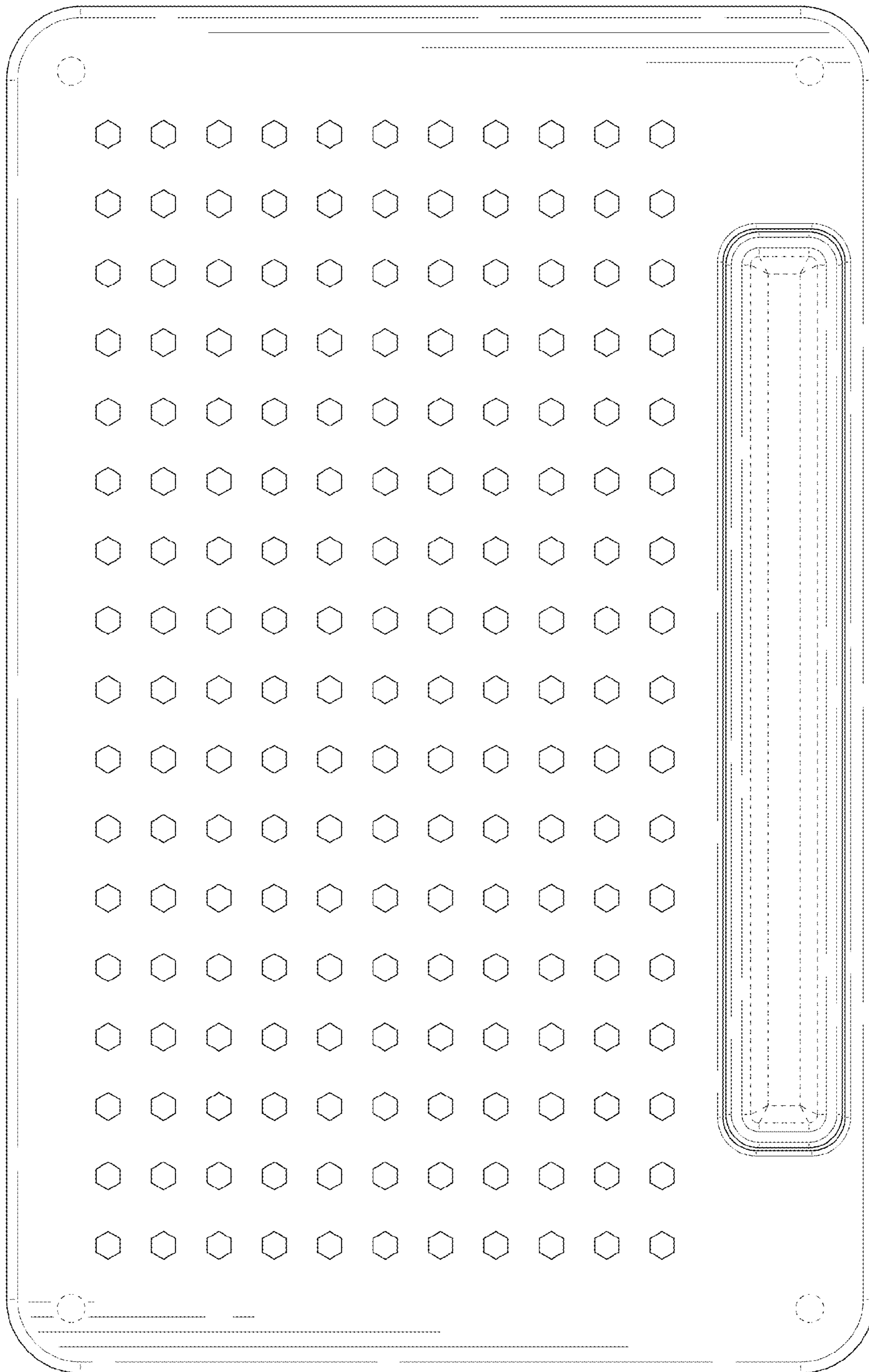


FIG. 7

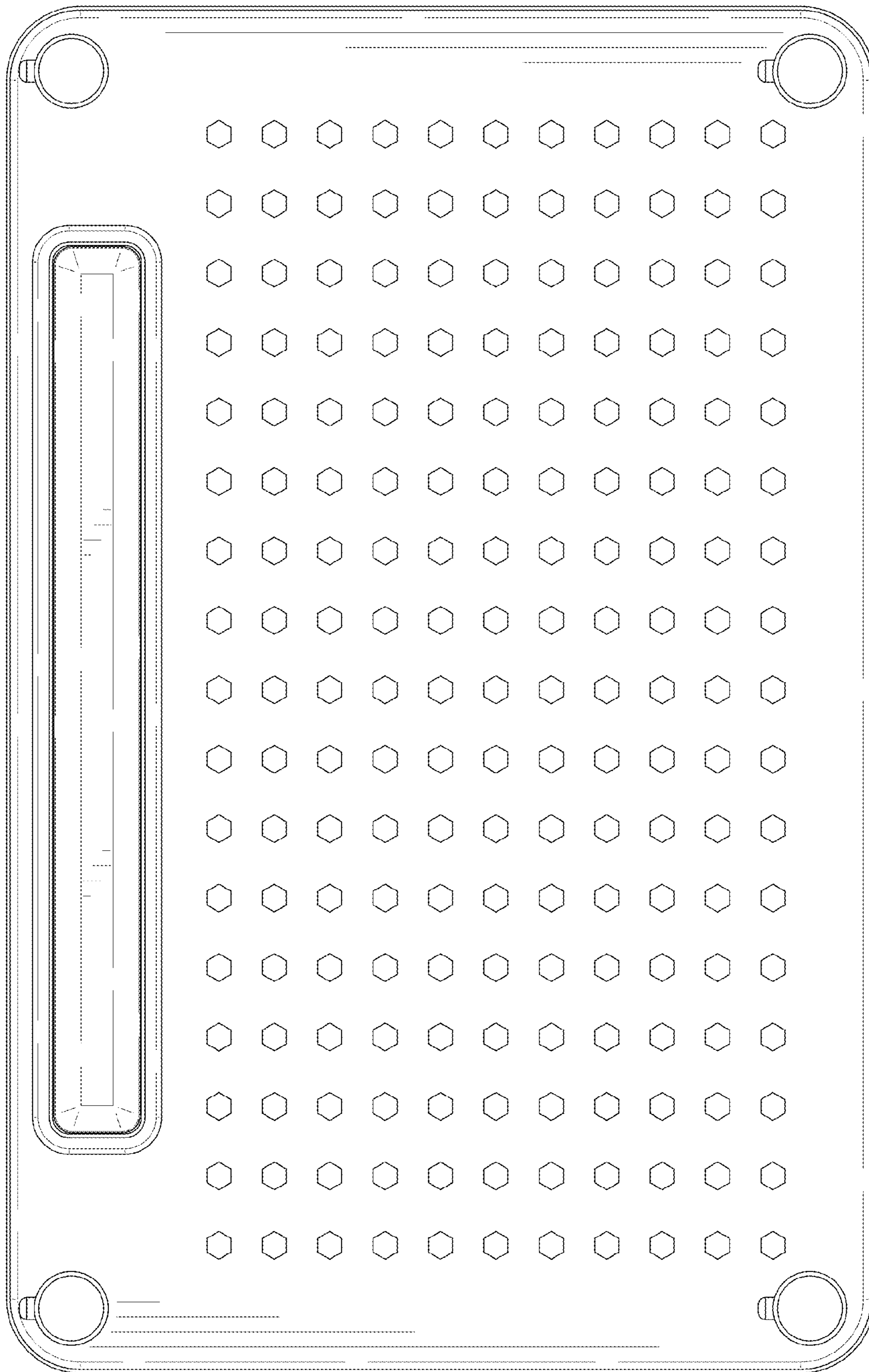


FIG. 8