



US00D914691S

(12) **United States Design Patent**
Wengreen

(10) **Patent No.:** **US D914,691 S**
(45) **Date of Patent:** **** Mar. 30, 2021**

(54) **MOUNT FOR ELECTRONIC DEVICES**

(71) Applicant: **Innovelis, Inc.**, Sammamish, WA (US)

(72) Inventor: **Eric John Wengreen**, Sammamish, WA (US)

(73) Assignee: **Innovelis, Inc.**, Sammamish, WA (US)

(**) Term: **15 Years**

(21) Appl. No.: **29/730,463**

(22) Filed: **Apr. 3, 2020**

D749,597 S	2/2016	Wengreen	
D751,563 S	3/2016	Wengreen	
D804,845 S	* 12/2017	Cockburn	D6/513
D808,188 S	* 1/2018	Cockburn	D6/513
D824,399 S	7/2018	Wengreen	
D832,858 S	11/2018	Wengreen	
D845,027 S	* 4/2019	Corona	D6/553
D845,028 S	* 4/2019	Corona	D6/553
D845,310 S	4/2019	Wengreen	
D845,959 S	4/2019	Wengreen	
D877,137 S	* 3/2020	Engerman	D14/253
D883,755 S	* 5/2020	Nicholson	D7/637
D903,429 S	* 12/2020	Joseph	D7/601
D905,067 S	* 12/2020	Wengreen	D14/447
D905,068 S	* 12/2020	Wengreen	D14/447
D905,069 S	* 12/2020	Wengreen	D14/447

* cited by examiner

Related U.S. Application Data

(63) Continuation-in-part of application No. 29/690,707, filed on May 9, 2019, now Pat. No. Des. 905,068.

(51) **LOC (13) Cl.** **14-02**

(52) **U.S. Cl.**
USPC **D14/447**

(58) **Field of Classification Search**
USPC D14/447, 434, 432, 439, 440, 451, 452, D14/457, 239; D8/363, 373, 380; D6/406.3, 406.4, 406.5, 406.6; D13/184, D13/199

CPC A47B 21/04; A47B 2097/006; A47B 2097/005; A47B 2023/049; A45C 2011/002; A45C 2011/003; F16M 2200/00; F16M 13/00

See application file for complete search history.

(56) **References Cited**

U.S. PATENT DOCUMENTS

D643,659 S	* 8/2011	Choi	D6/553
D716,580 S	11/2014	Wengreen	
D727,143 S	* 4/2015	Gomez	D9/432
D729,544 S	5/2015	Wengreen	

Primary Examiner — Keli L Hill

Assistant Examiner — Harold E Blackwell, II

(57) **CLAIM**

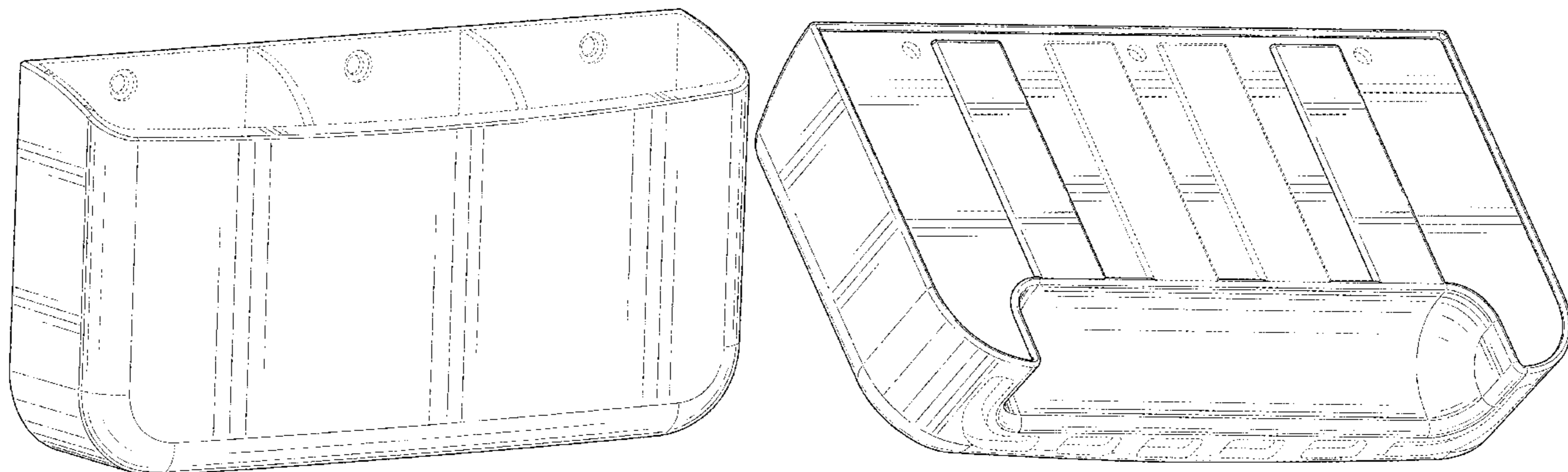
The ornamental design for a mount for electronic devices, as shown and described.

DESCRIPTION

FIG. 1 is a front, first side, and top perspective view of a mount for electronic devices embodying the new design; FIG. 2 is a back, second side, and bottom perspective view thereof; FIG. 3 is a front view thereof; FIG. 4 is a back view thereof; FIG. 5 is a second side view thereof; FIG. 6 is a first side view thereof; FIG. 7 is a top view thereof; and, FIG. 8 is a bottom view thereof.

The broken lines in the drawings illustrate portions of a mount for electronic devices which form no part of the claimed design.

1 Claim, 8 Drawing Sheets



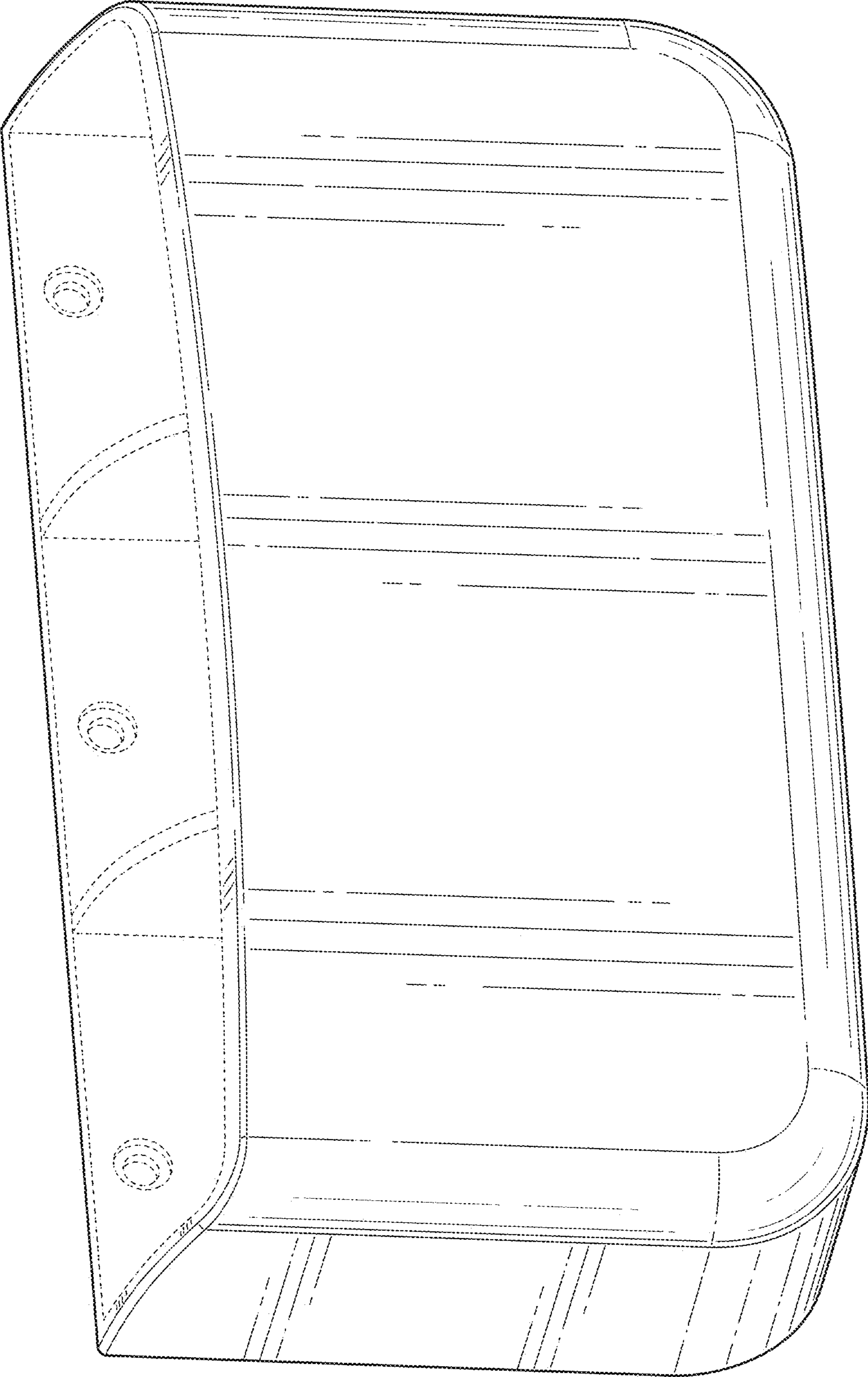


FIG. 1

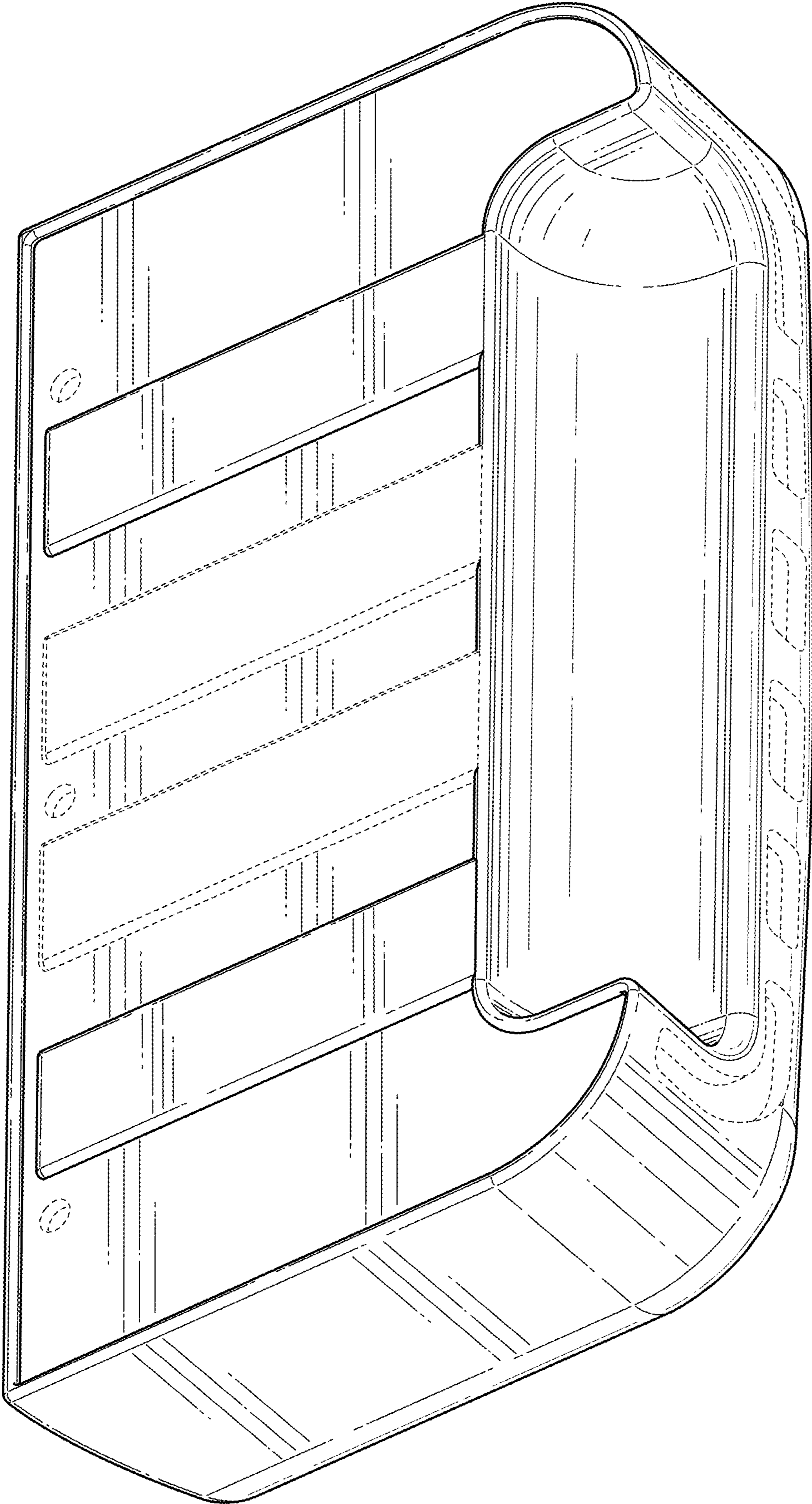


FIG. 2

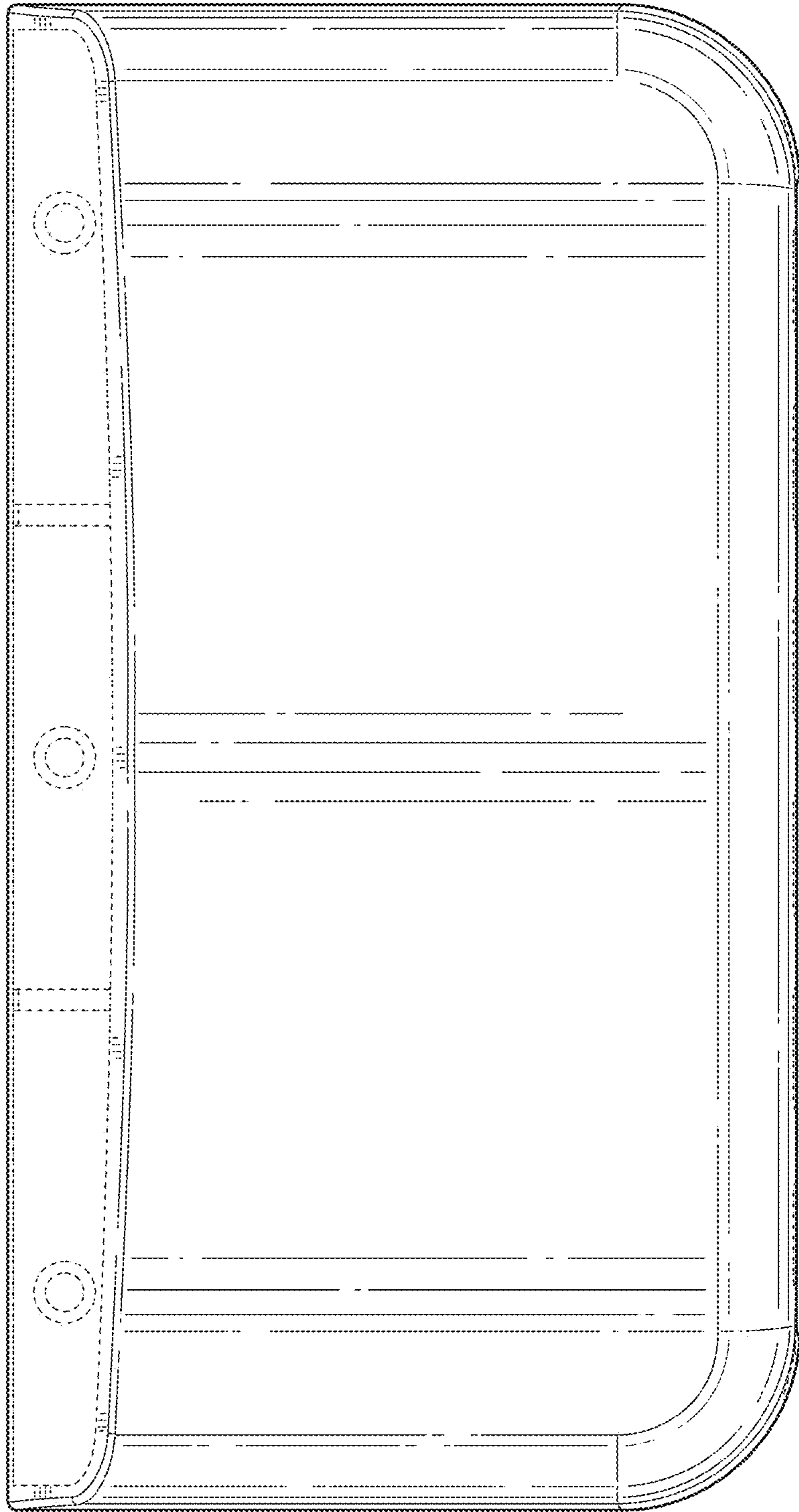


FIG. 3

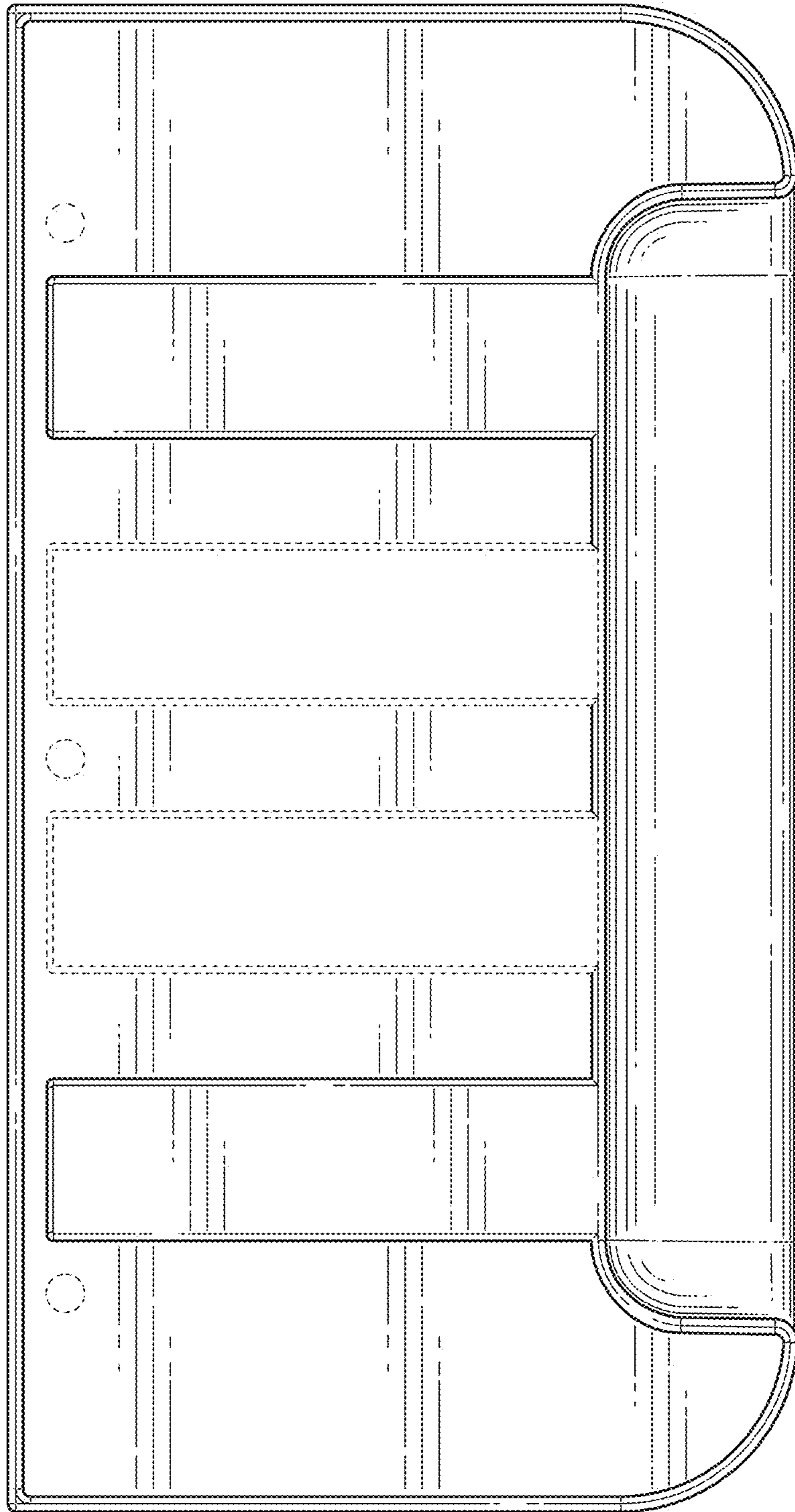


FIG. 4

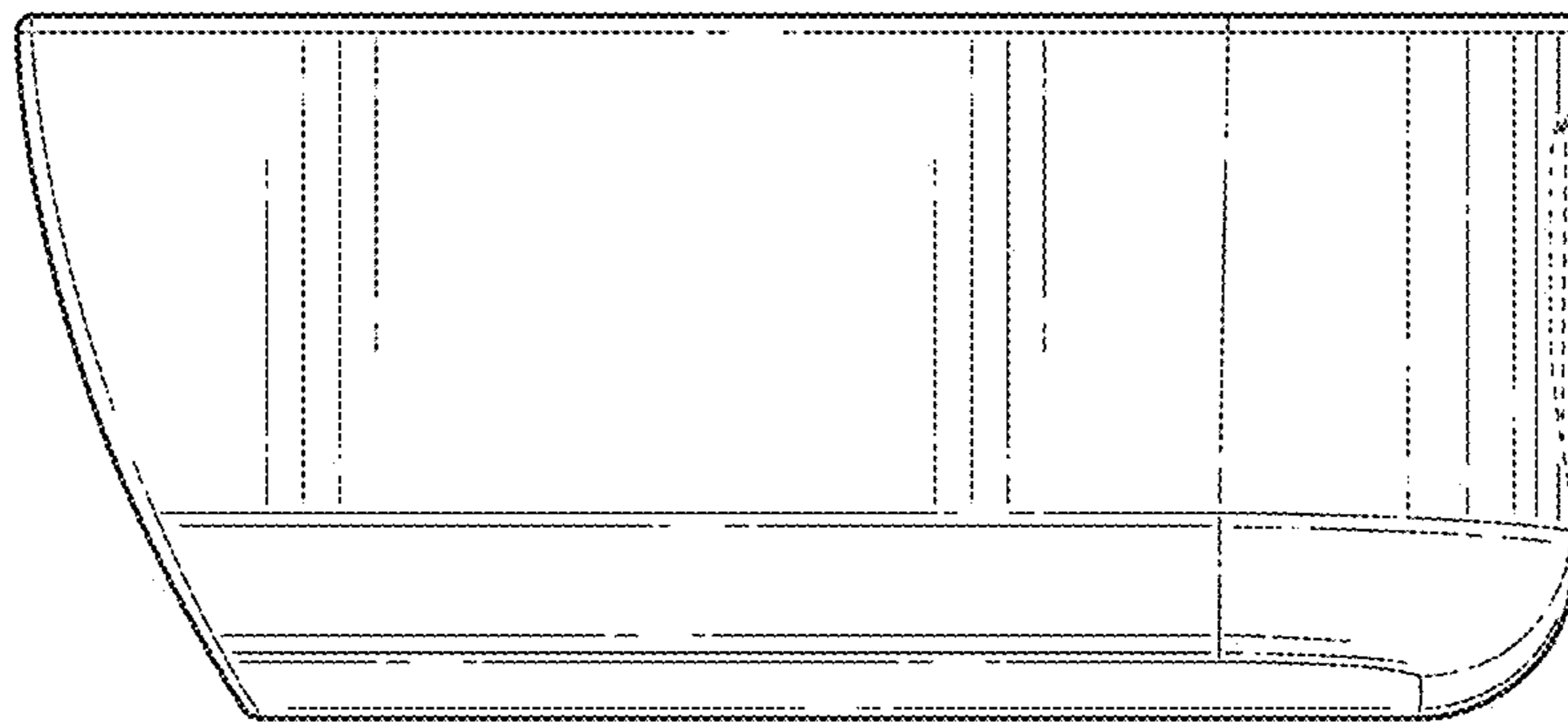


FIG. 5

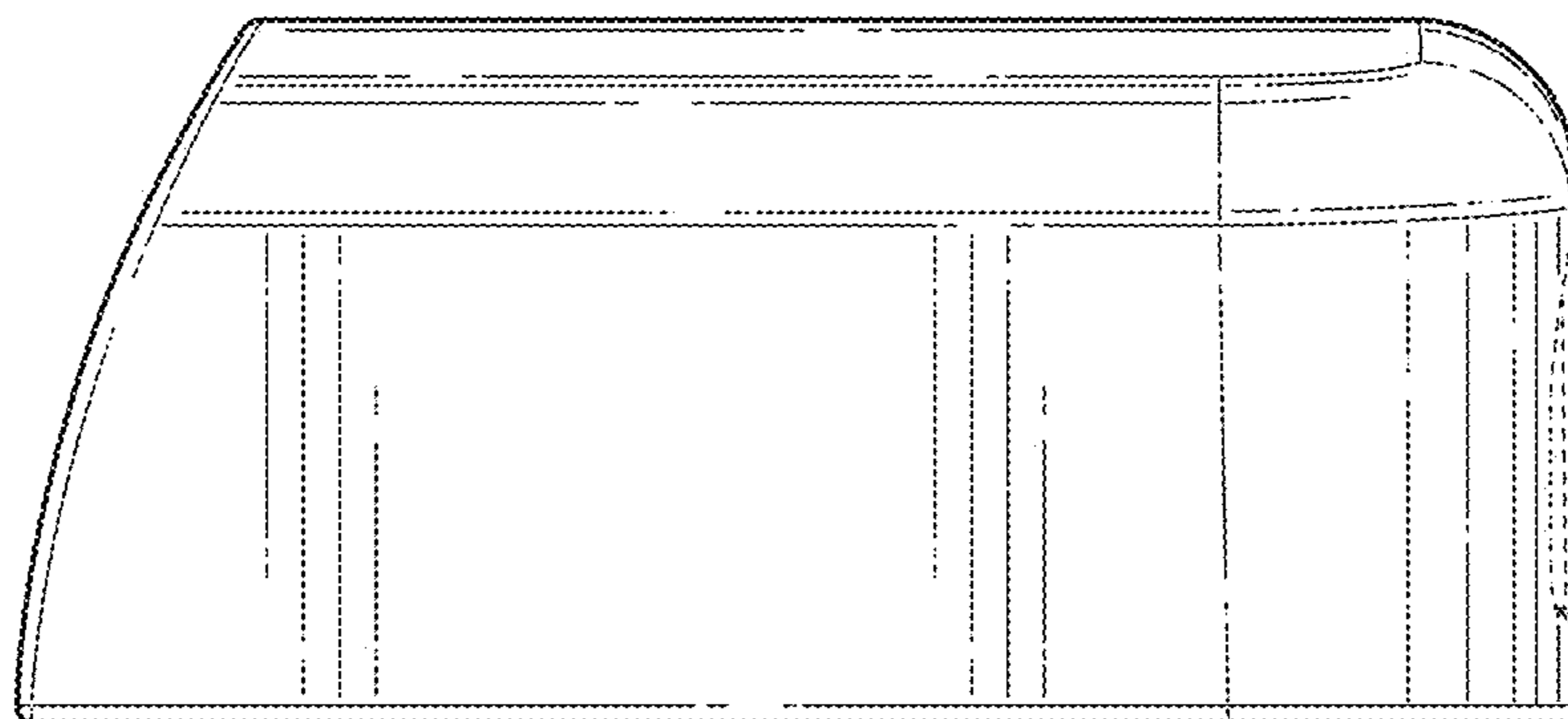


FIG. 6

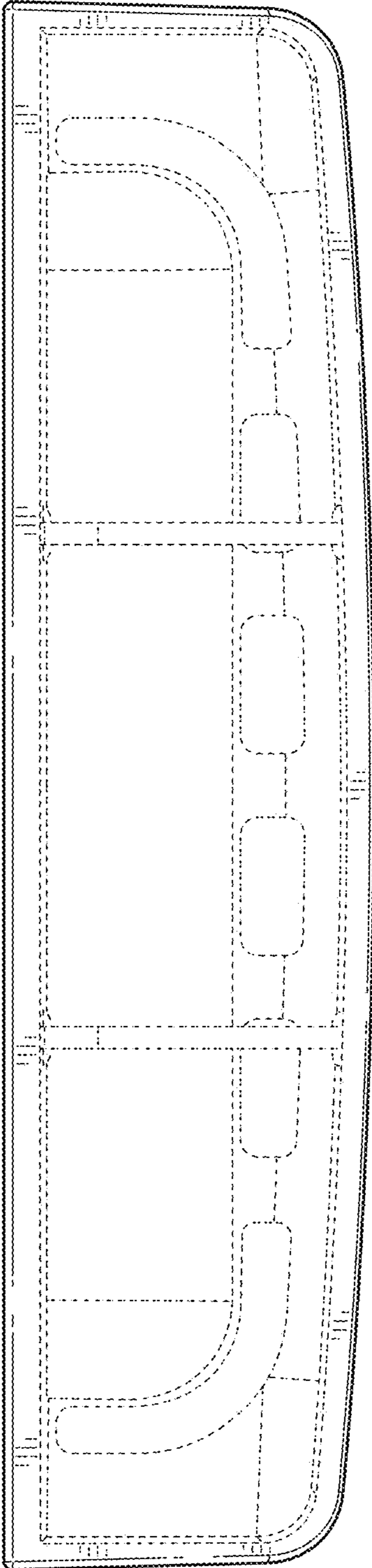


FIG. 7

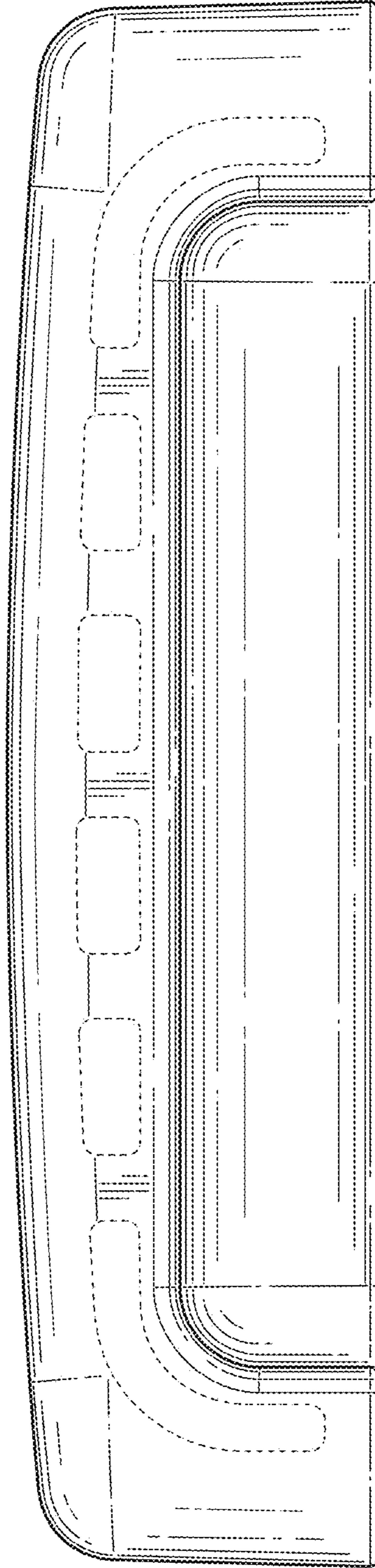


FIG. 8