



US00D914678S

(12) **United States Design Patent** (10) **Patent No.:** **US D914,678 S**
Zheng (45) **Date of Patent:** **** Mar. 30, 2021**

(54) **SMART BRACELET**

(56) **References Cited**

(71) Applicant: **SHENZHEN LOOKCARE INDUSTRY CO., LTD**, Shenzhen (CN)

U.S. PATENT DOCUMENTS

(72) Inventor: **Yongjian Zheng**, Shenzhen (CN)

D750,622	S	*	3/2016	Chen	D10/38
D765,072	S	*	8/2016	Kwon	D10/38
D784,981	S	*	4/2017	Park	D10/38
D792,241	S	*	7/2017	White	D10/30
D813,058	S	*	3/2018	Kanikananta	D10/32
10,021,945	B2	*	7/2018	Rohrbach	A44C 5/14
D826,934	S	*	8/2018	Lee	D14/344
D837,206	S	*	1/2019	Guan	D14/344
D852,648	S	*	7/2019	Chen	D10/32
D864,762	S	*	10/2019	Gonet	D10/32
10,474,192	B2	*	11/2019	Song	H02J 50/10

(73) Assignee: **SHENZHEN LOOKCARE INDUSTRY CO., LTD.**

(**) Term: **15 Years**

* cited by examiner

(21) Appl. No.: **29/683,748**

(22) Filed: **Mar. 15, 2019**

Primary Examiner — George D. Kirschbaum

Assistant Examiner — Joseph J Kukella

(51) **LOC (13) Cl.** **14-02**

(52) **U.S. Cl.**
USPC **D14/344**

(57) **CLAIM**

The ornamental design for smart bracelet, as shown and described.

(58) **Field of Classification Search**

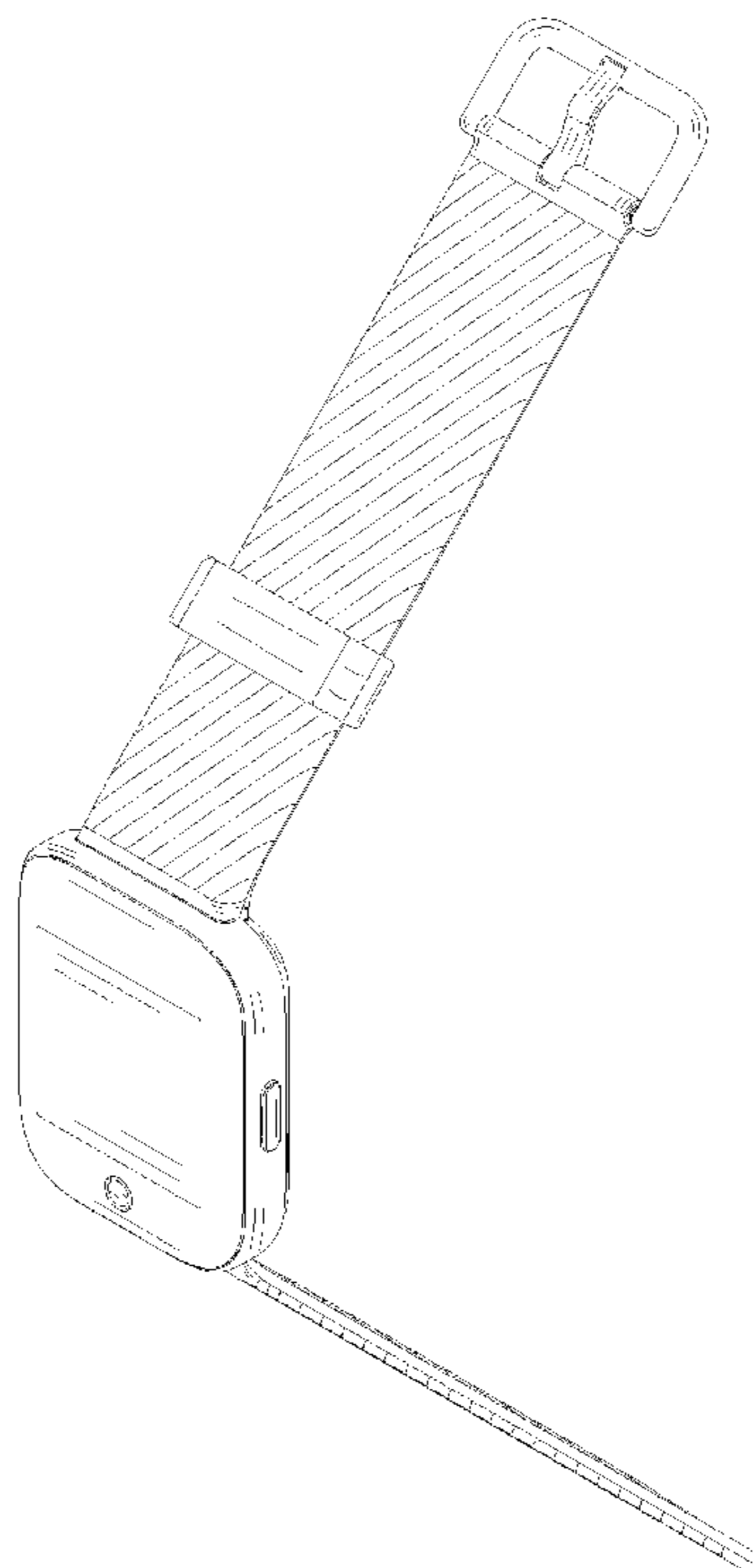
USPC ... D14/138 R, 144, 341, 344, 358, 388, 218,
D14/485-495; D10/30-39, 70, 98;
D11/3, 4, 26, 93-94, 78.1, 79, 86;
D24/167, 169, 186-187, 164
CPC A41D 1/002; A41D 19/0034; G06F 1/04;
G06F 1/08; G06F 1/10; G06F 1/14; G06F
1/1626; G06F 1/1628; G06F 1/163; G06F
1/1635; G06F 1/3203; G06Q 20/10;
G06Q 20/12; G06Q 20/108; G06Q
20/145; H04B 1/3833; H04B 1/385;
H04B 1/3888; H04M 1/02; H04M 1/03;
H04M 1/04; H04M 1/05; H04M 1/667;
H04M 1/6058; Y02B 60/1217

DESCRIPTION

FIG. 1 is a front view of a smart bracelet, showing my new design;
FIG. 2 is a back view thereof;
FIG. 3 is a left side view thereof;
FIG. 4 is a right side view thereof;
FIG. 5 is a top view thereof;
FIG. 6 is a bottom view thereof;
FIG. 7 is a perspective view thereof; and,
FIG. 8 is another perspective view thereof.
The broken lines show portions of the article not claimed and form no part of the claimed design.

See application file for complete search history.

1 Claim, 8 Drawing Sheets



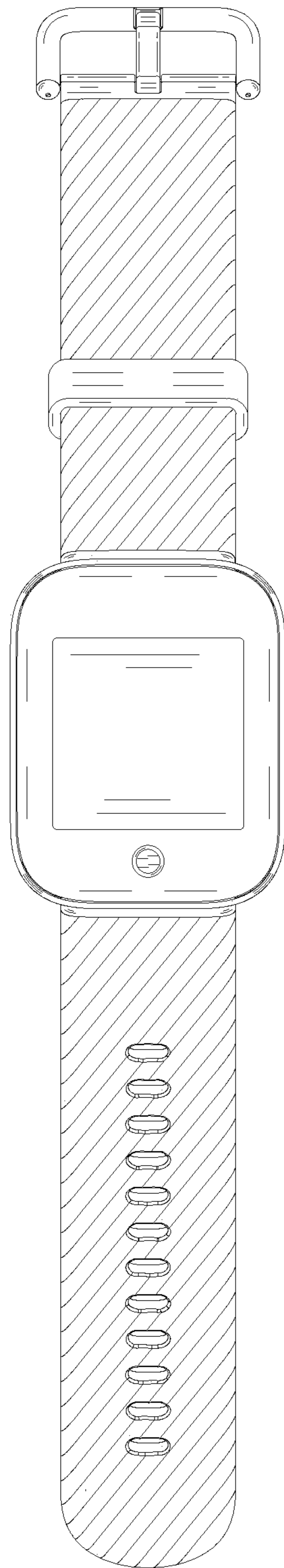


FIG. 1

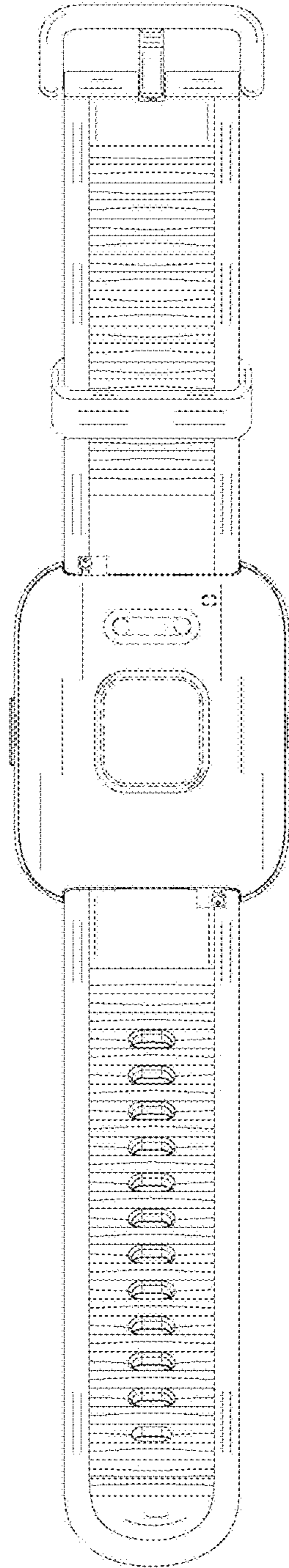


FIG. 2

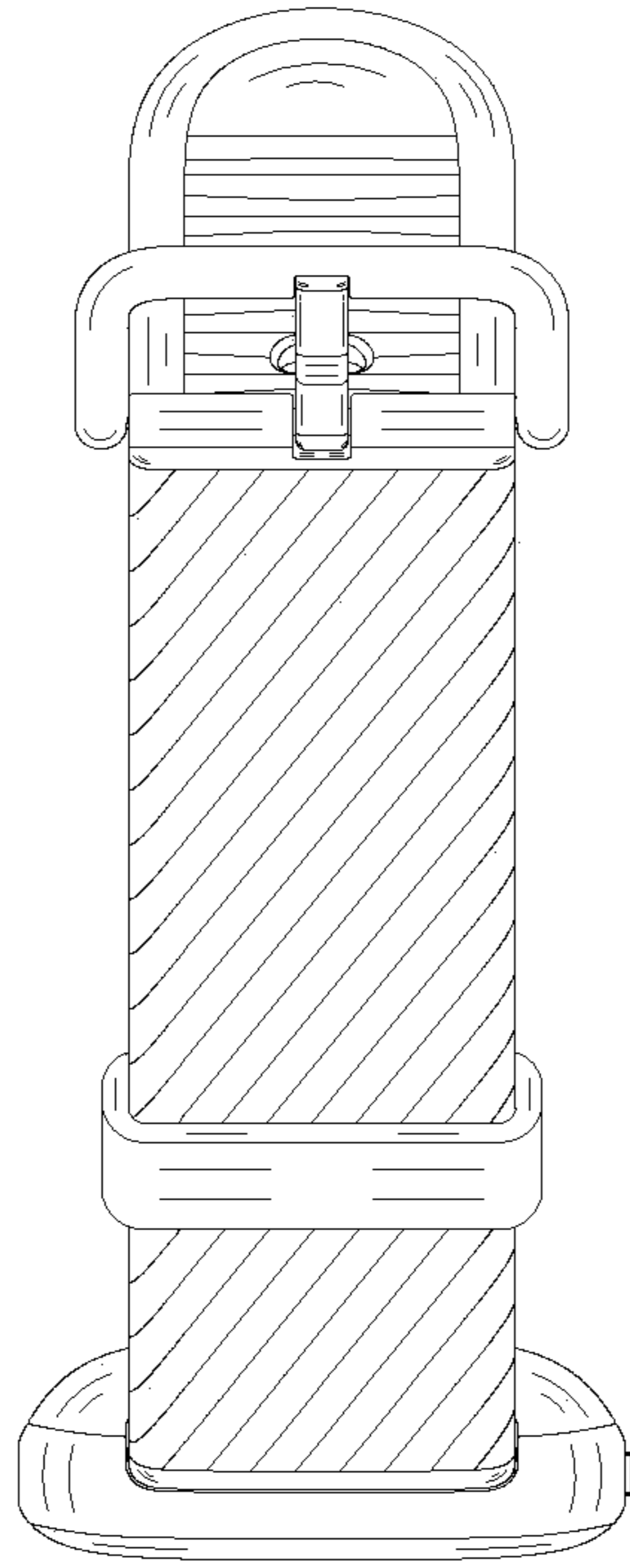


FIG. 3

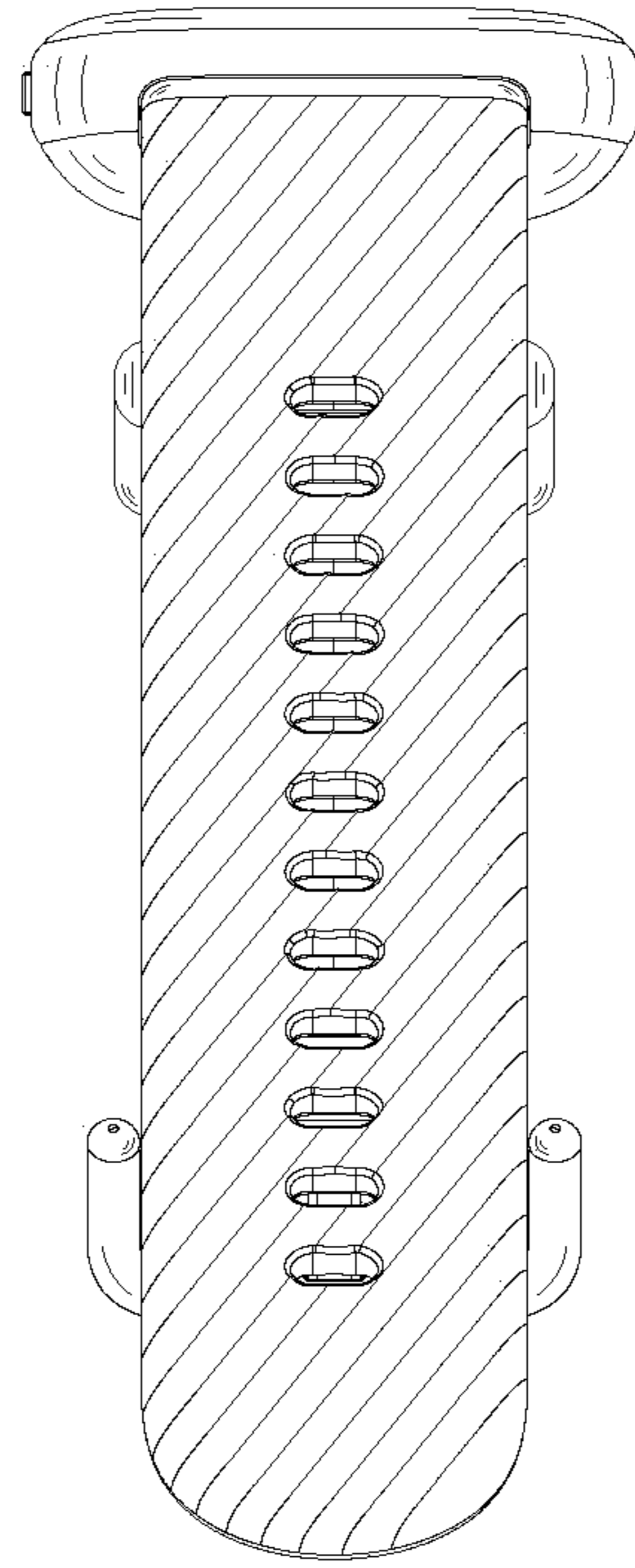


FIG. 4

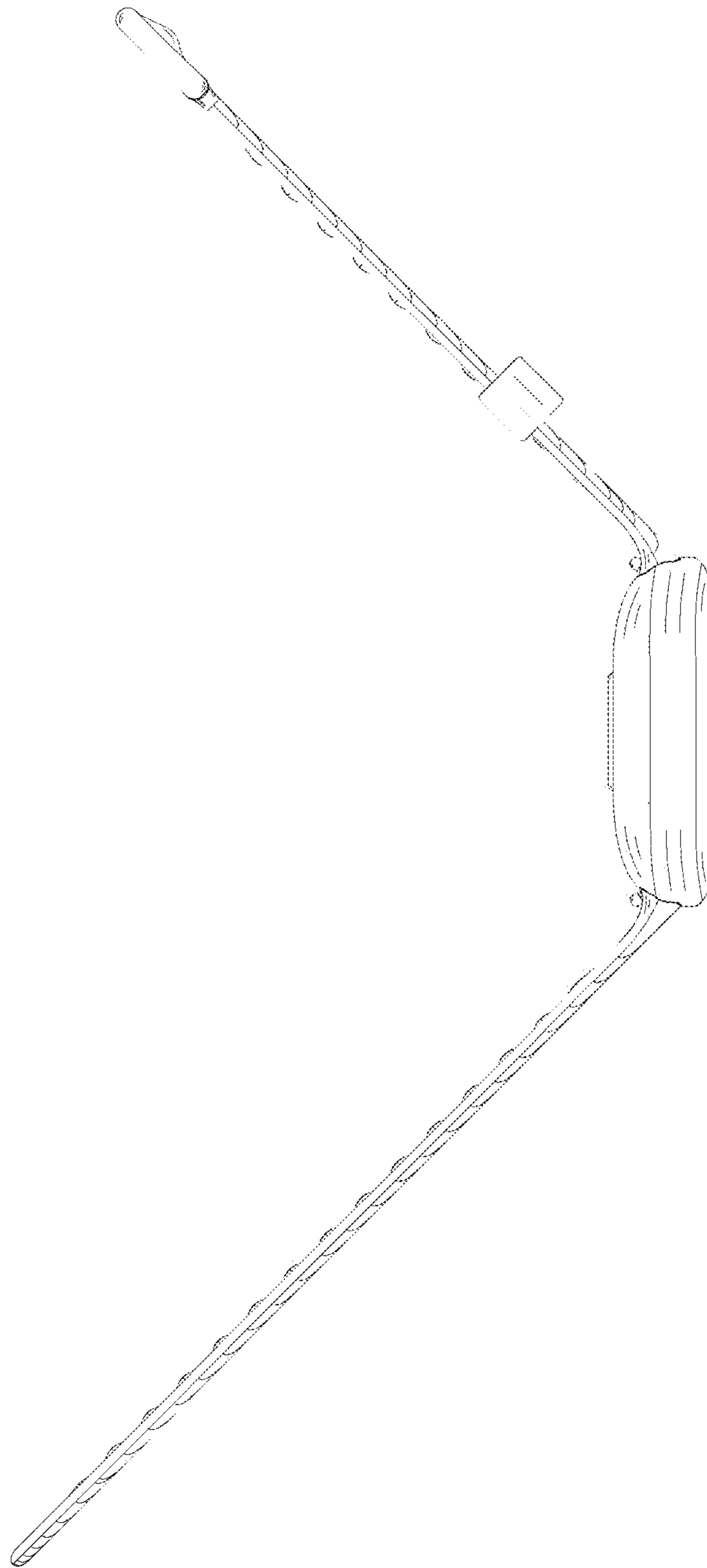


FIG. 5

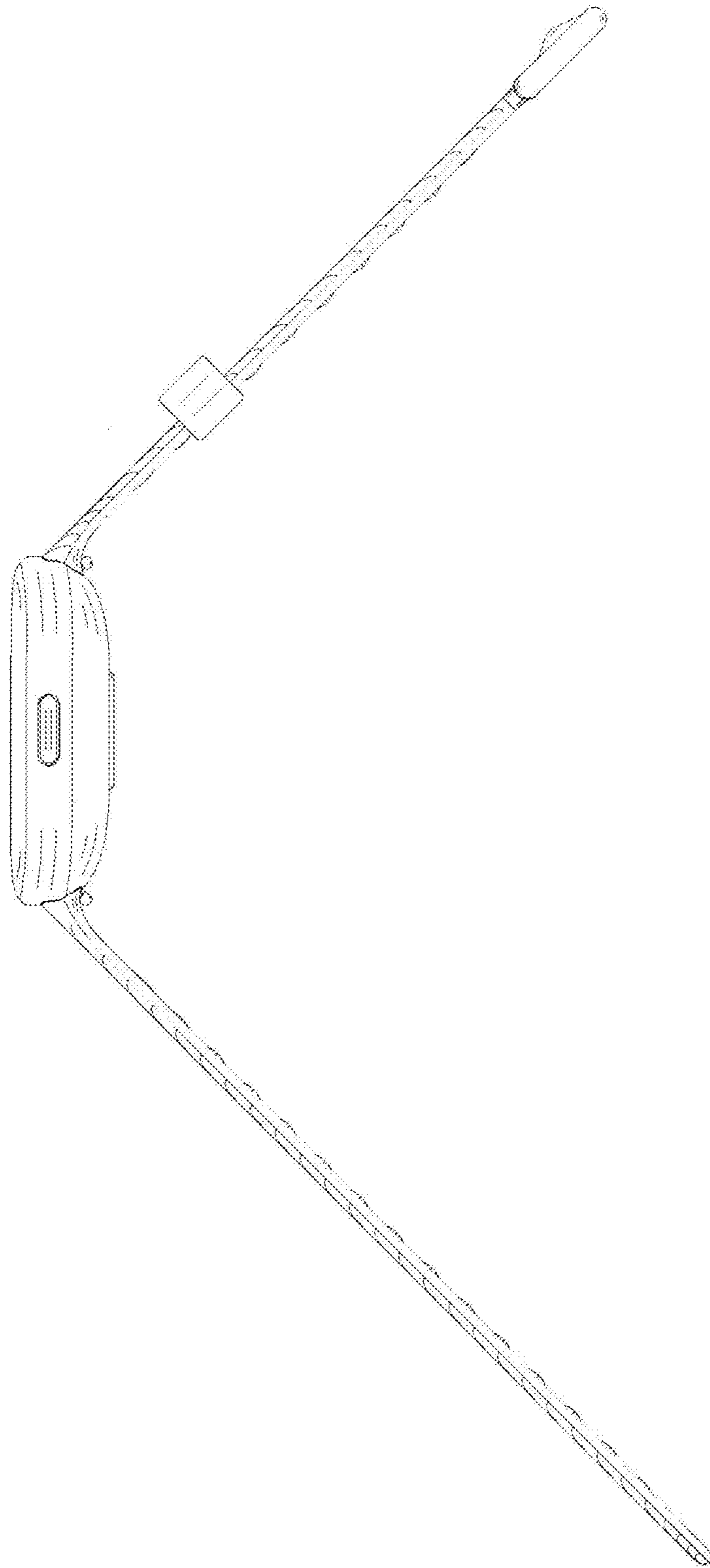


FIG. 6

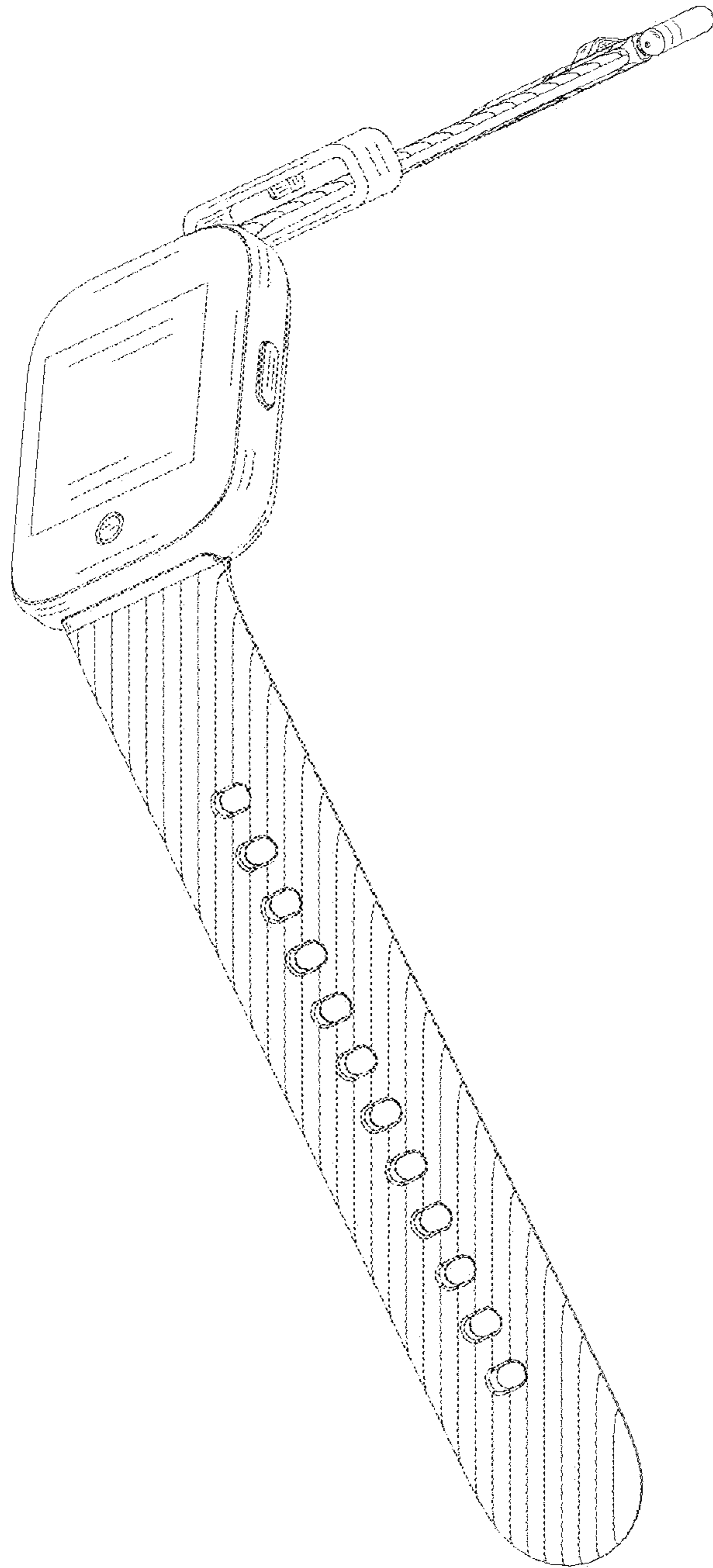


FIG. 7

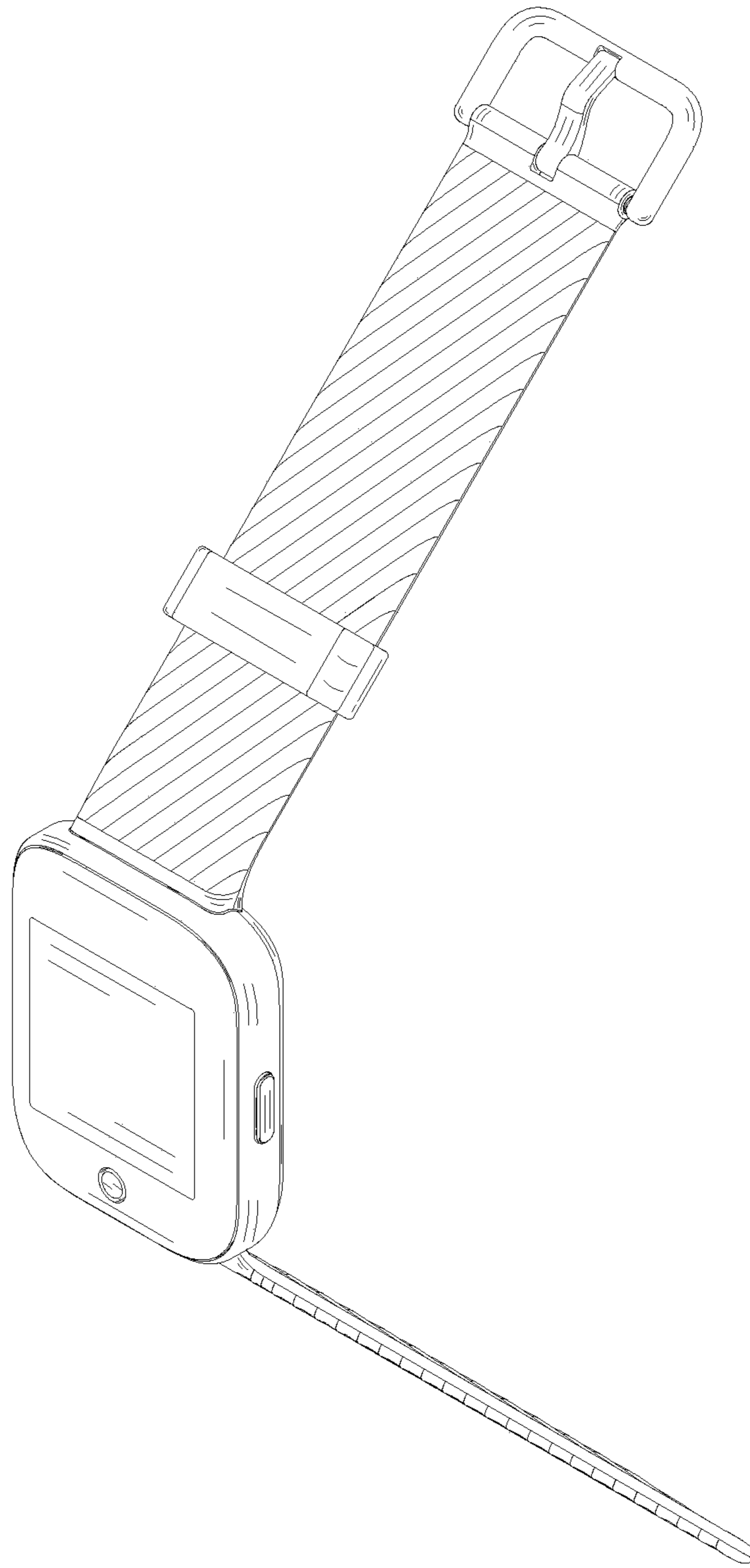


FIG. 8