



US00D914676S

(12) **United States Design Patent**
Lee et al.

(10) **Patent No.:** **US D914,676 S**
(45) **Date of Patent:** **** Mar. 30, 2021**

(54) **NOTEBOOK COMPUTER**

(71) Applicant: **Samsung Electronics Co., Ltd.**,
Suwon-si (KR)

(72) Inventors: **Jusuek Lee**, Ansan-si (KR); **Hyuntaik Lim**, Surrey (GB)

(73) Assignee: **Samsung Electronics Co., Ltd.**,
Suwon-si (KR)

(**) Term: **15 Years**

(21) Appl. No.: **29/669,826**

(22) Filed: **Nov. 12, 2018**

(30) **Foreign Application Priority Data**

May 11, 2018 (KR) 30-2018-0021972

(51) **LOC (13) Cl.** **14-02**

(52) **U.S. Cl.**
USPC **D14/327**

(58) **Field of Classification Search**

USPC D14/315–327, 331, 334–336, 339–340,
D14/371, 373–374; D18/1–2, 7, 11,
D18/12.2–12.3

CPC G06F 1/1618; G06F 1/166; G06F 1/1613;
G06F 1/1616; G06F 1/162; G06F 1/1622;
G06F 1/1624; G06F 1/1633; G06F
1/1615; G06F 1/1643; G06F 1/1654;
G06F 1/1656; G06F 1/1669; G06F 1/203;
G06F 1/1688;

(Continued)

(56) **References Cited**

U.S. PATENT DOCUMENTS

6,462,937 B1 * 10/2002 Liao A63F 13/08
361/679.09
6,493,218 B1 * 12/2002 Fraga G06F 1/1616
361/679.09

(Continued)

FOREIGN PATENT DOCUMENTS

CN 201630066106.1 8/2016
CN 201630205472.0 11/2016

(Continued)

OTHER PUBLICATIONS

Lee, Kevin, Samsung Odyssey Z 15 ultra-thin gaming laptop is finally available in the US, posted at TechRadar, posting date Sep. 18, 2018. Site visited Aug. 2, 2020. URL: <https://www.techradar.com/news/samsung-odyssey-z-15-ultra-thin-gaming-laptop-is-finally-available-in-the-us> (Year: 2018).*

(Continued)

Primary Examiner — Kathleen L Jones

(74) *Attorney, Agent, or Firm* — NSIP Law

(57) **CLAIM**

We claim the ornamental design for a notebook computer, as shown and described.

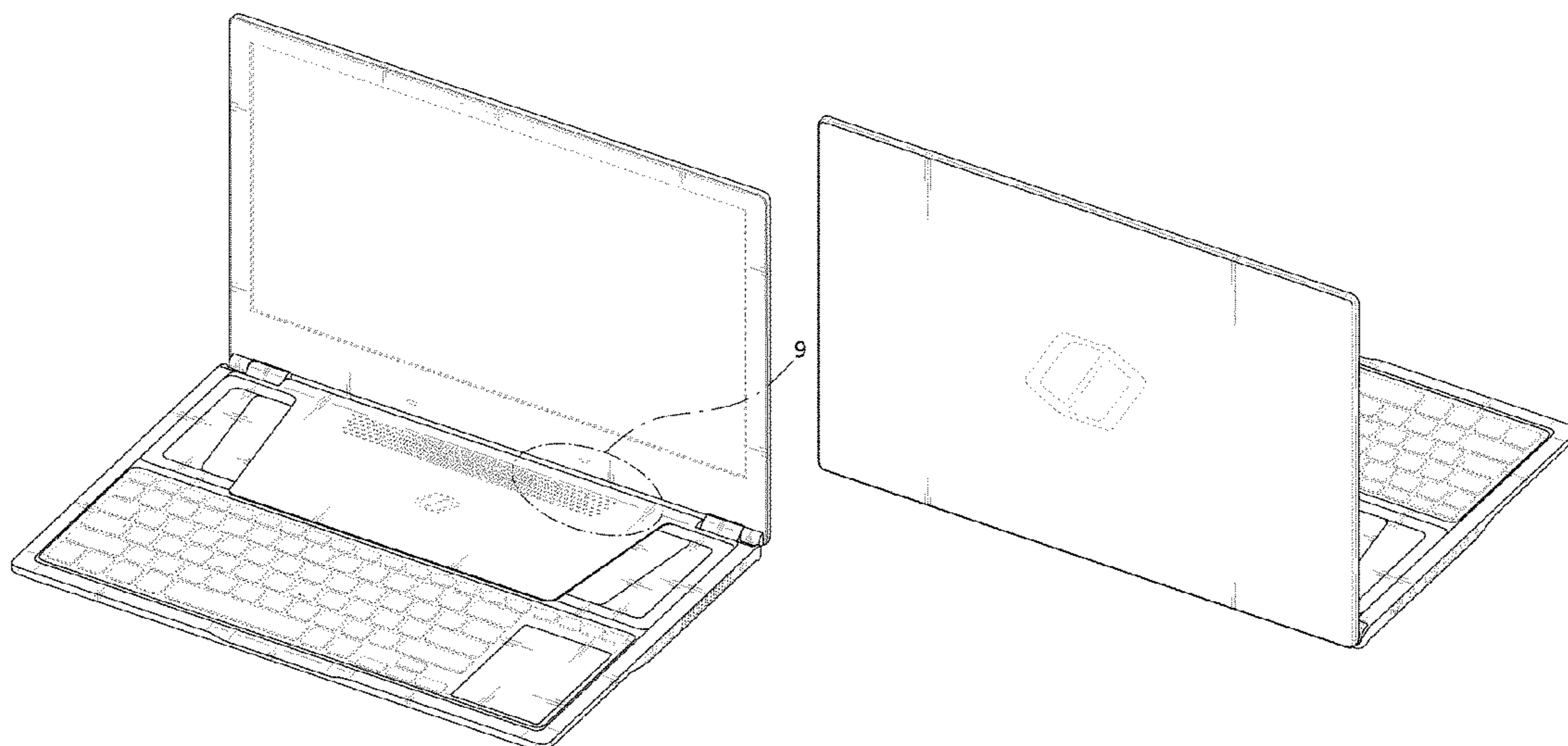
DESCRIPTION

FIG. 1 is a front perspective view of a notebook computer showing our new design;
FIG. 2 is a front view thereof;
FIG. 3 is a rear view thereof;
FIG. 4 is a left-side view thereof;
FIG. 5 is a right-side view thereof;
FIG. 6 is a top view thereof;
FIG. 7 is a bottom view thereof;
FIG. 8 is a rear perspective view thereof; and,
FIG. 9 is an enlarged view of the encircled portion in FIG. 1.

The evenly spaced dashed broken lines in the figures depict portions of the notebook computer which form no part of the claimed design.

The dot-dash broken lines in FIGS. 1 and 9 encircling portions of the drawing disclosure illustrated in an enlargement form no part of the claimed design.

1 Claim, 9 Drawing Sheets



(58) **Field of Classification Search**

CPC G06F 1/1601; G06F 1/1637; G06F 1/181;
 G06F 1/1647; G06F 1/1649; G06F 1/165;
 G06F 1/1662; G06F 1/1671; G06F 1/169;
 G06F 1/1692; H05K 5/0047; H05K
 5/0052

See application file for complete search history.

(56) **References Cited**

U.S. PATENT DOCUMENTS

D566,112 S *	4/2008	Kawami	D14/318
D593,084 S *	5/2009	Iseki	D14/318
D602,484 S *	10/2009	Cai	D14/318
D607,450 S *	1/2010	Morishita	D14/318
D630,626 S *	1/2011	Fujita	D14/318
D683,729 S *	6/2013	Jen	D14/318
D700,601 S *	3/2014	Okamoto	D14/318
D787,502 S *	5/2017	Hsieh	D14/315
D806,702 S *	1/2018	Senatori	D14/316
D820,829 S *	6/2018	Wang	D14/318
D823,849 S *	7/2018	Lim	D14/318
D881,873 S *	4/2020	Li	D14/316

D895,609 S *	9/2020	Berry	D14/315
2019/0258298 A1 *	8/2019	Arima	G06F 3/1423
2019/0278322 A1 *	9/2019	Huang	G06F 1/1662
2020/0133336 A1 *	4/2020	Wang	G06F 1/1616
2020/0174653 A1 *	6/2020	Klein	G06F 3/04883

FOREIGN PATENT DOCUMENTS

JP	D1473944	7/2013
KR	30-2017-0016894	2/2018

OTHER PUBLICATIONS

Alexa, Best Gaming Laptops of 2018, posted at Icecream Tech Digest, posting date Mar. 5, 2018. Site visited Aug. 2, 2020. URL: <<https://icecreamapps.com/blog/best-gaming-laptops-2018/>> (Year: 2018).*

Top 20 Best Selling Quad Core, posted at Reinis Fischer, posting date May 1, 2018. Site visited Aug. 2, 2020. URL: <<https://www.reinischfischer.com/top-20-best-selling-quad-core-gaming-laptops-2018/>> (Year: 2018).*

* cited by examiner

FIG. 1

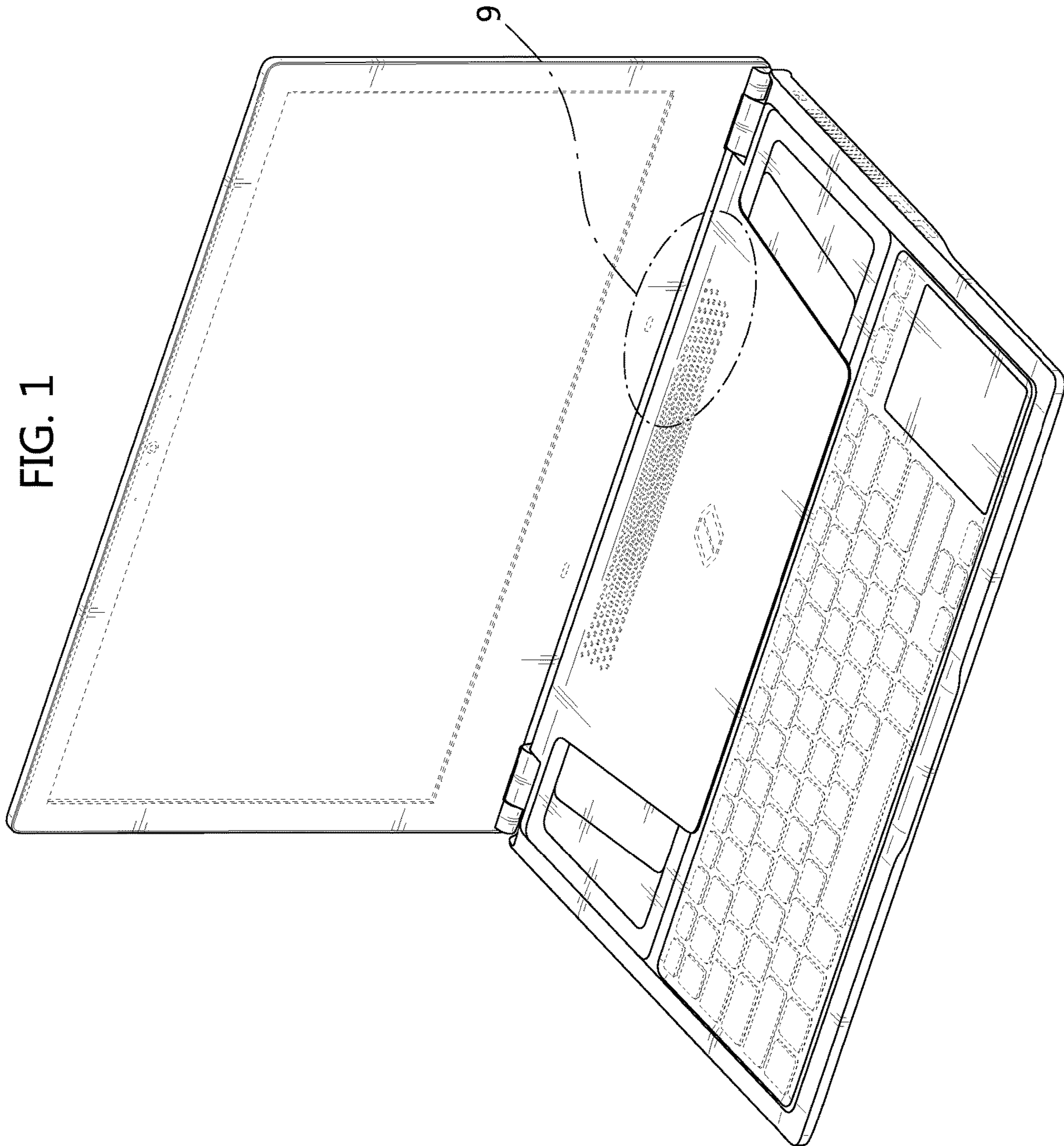


FIG. 2

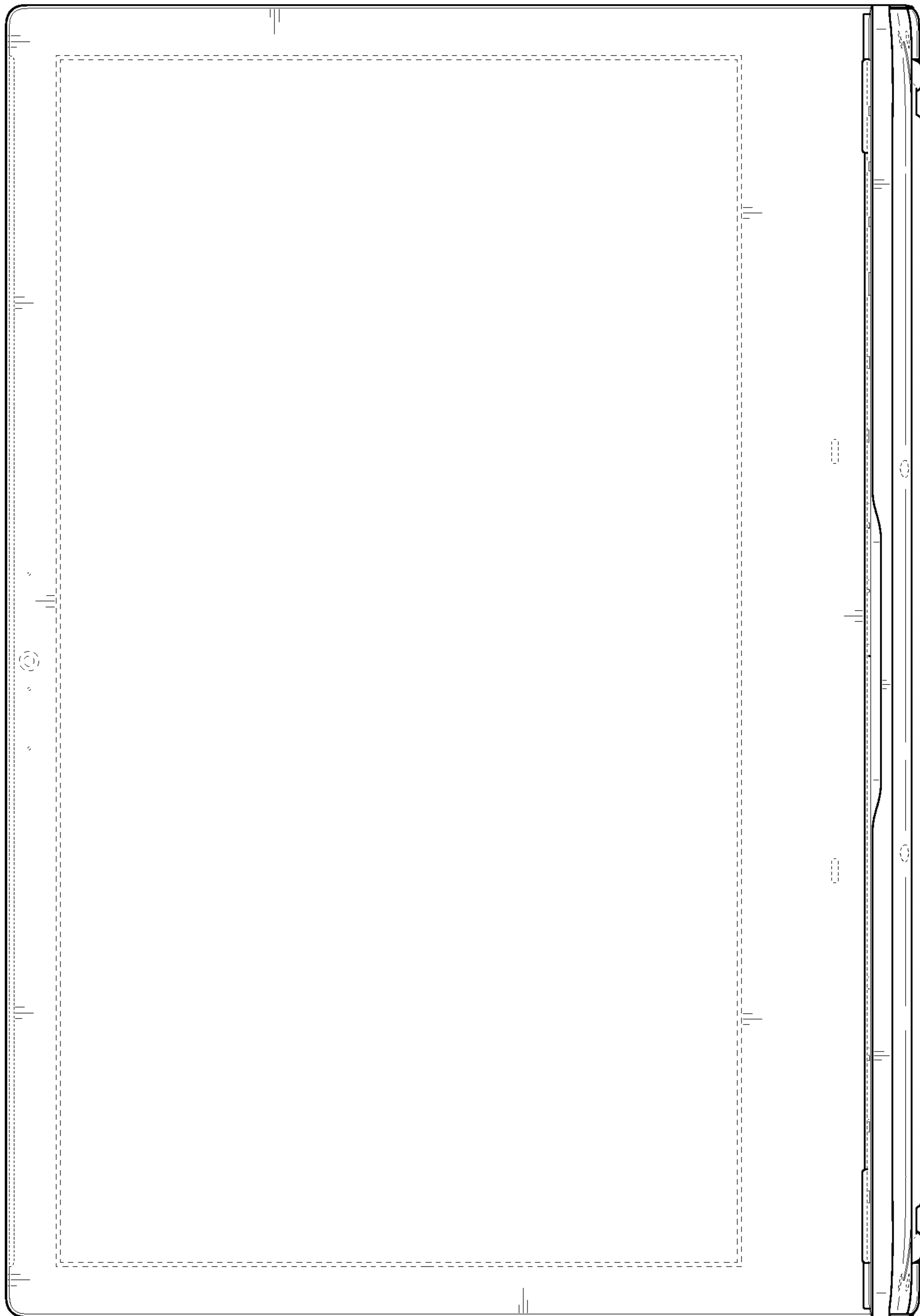


FIG. 3

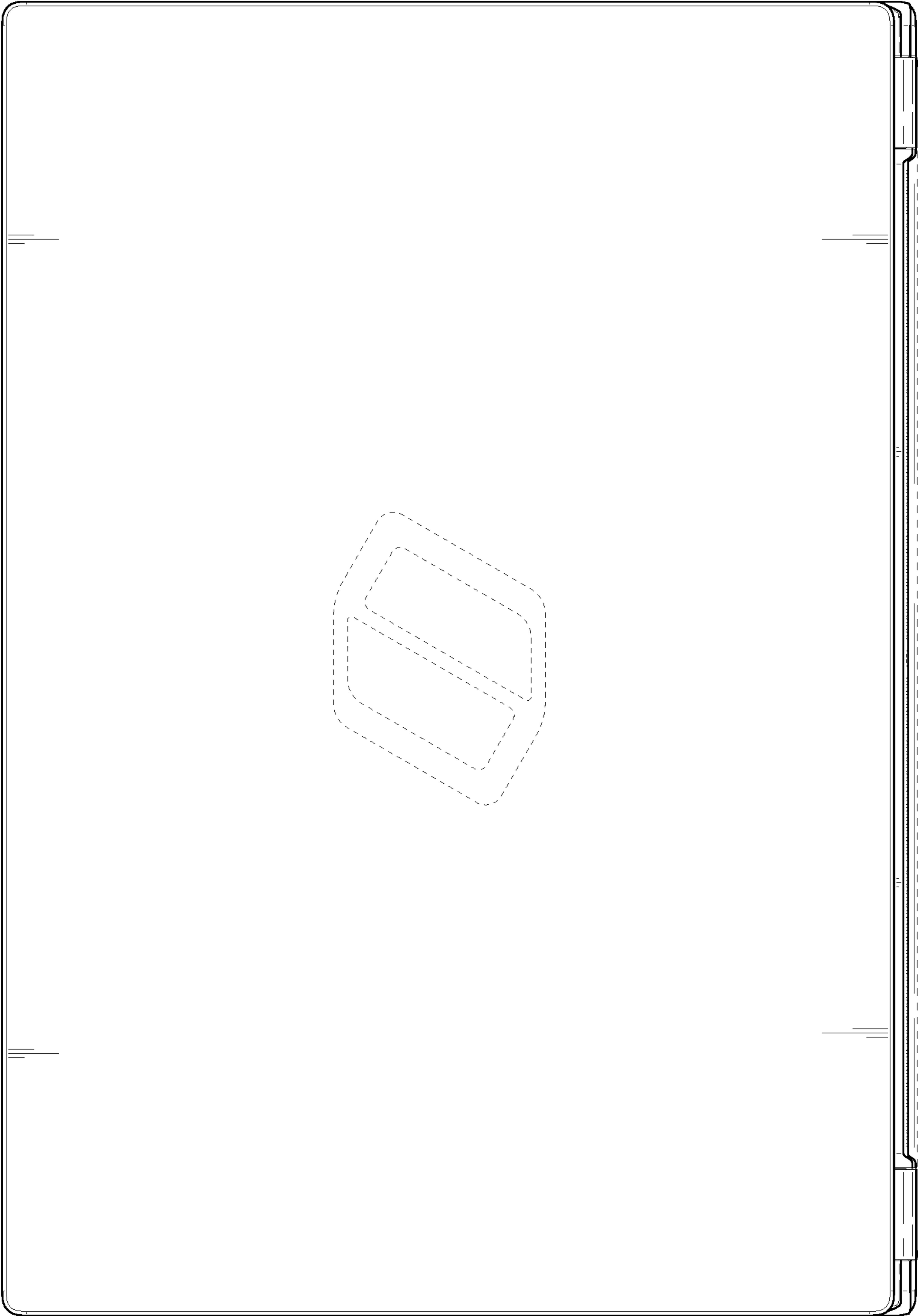


FIG. 4

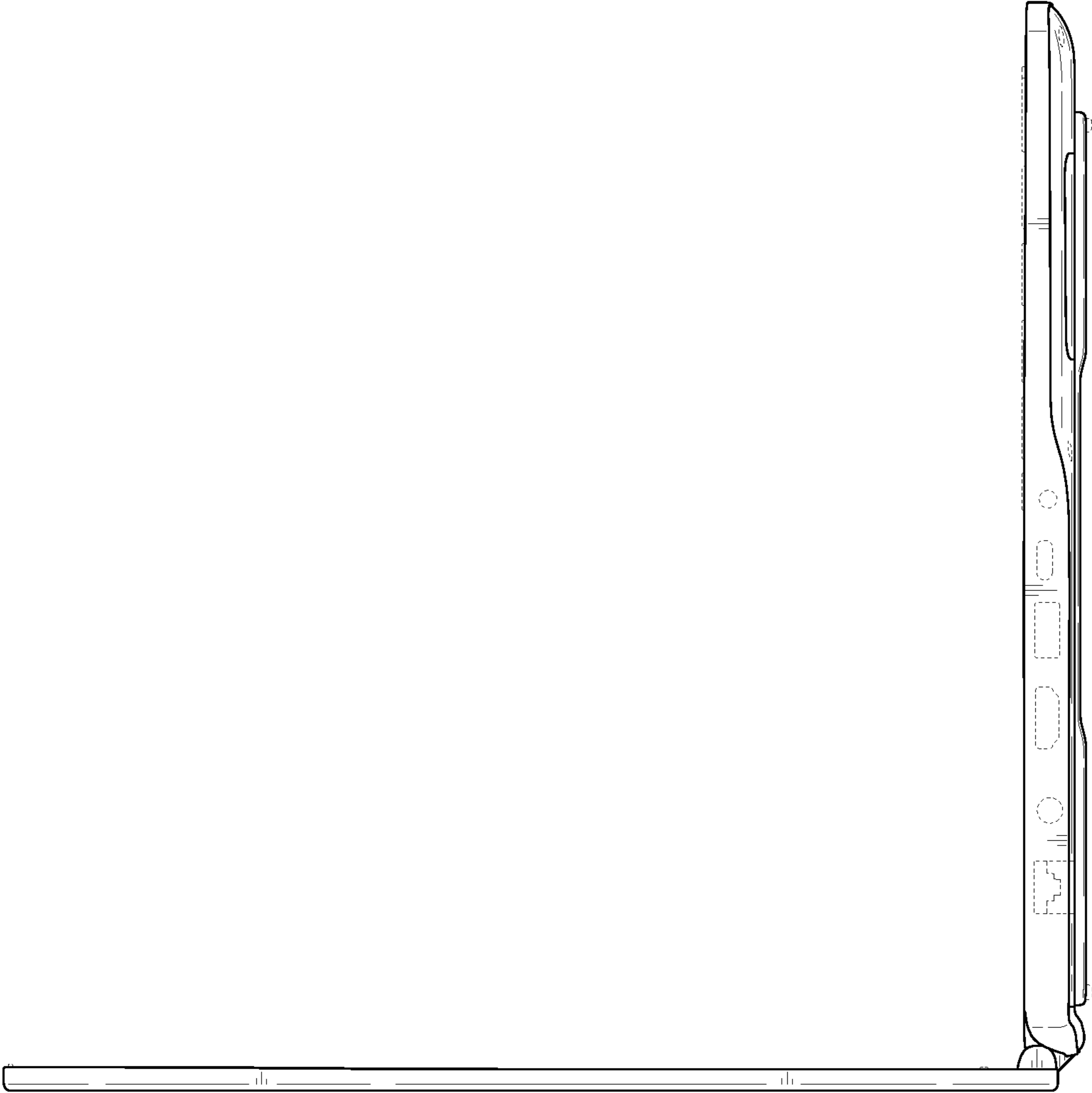


FIG. 5

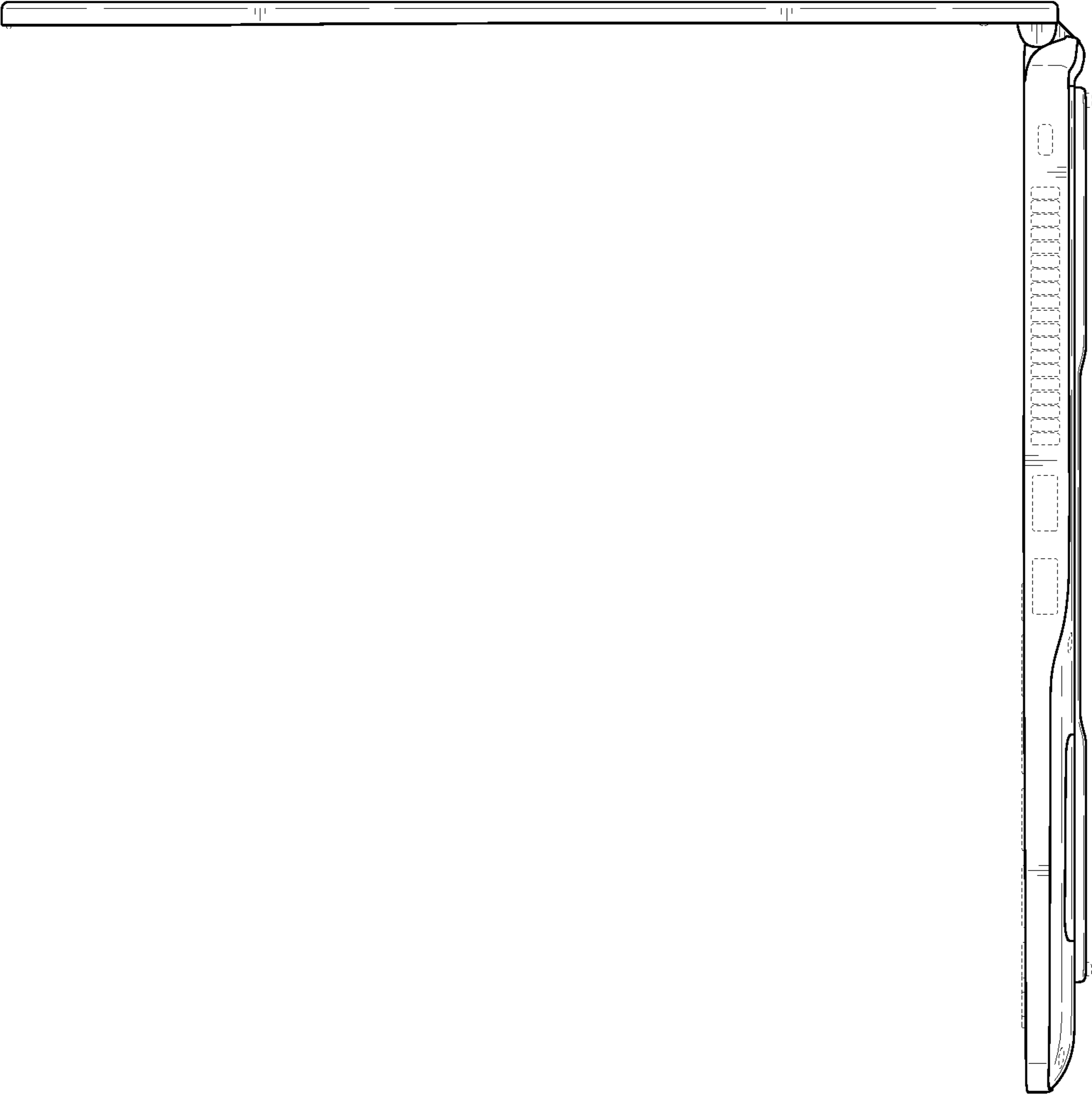


FIG. 6

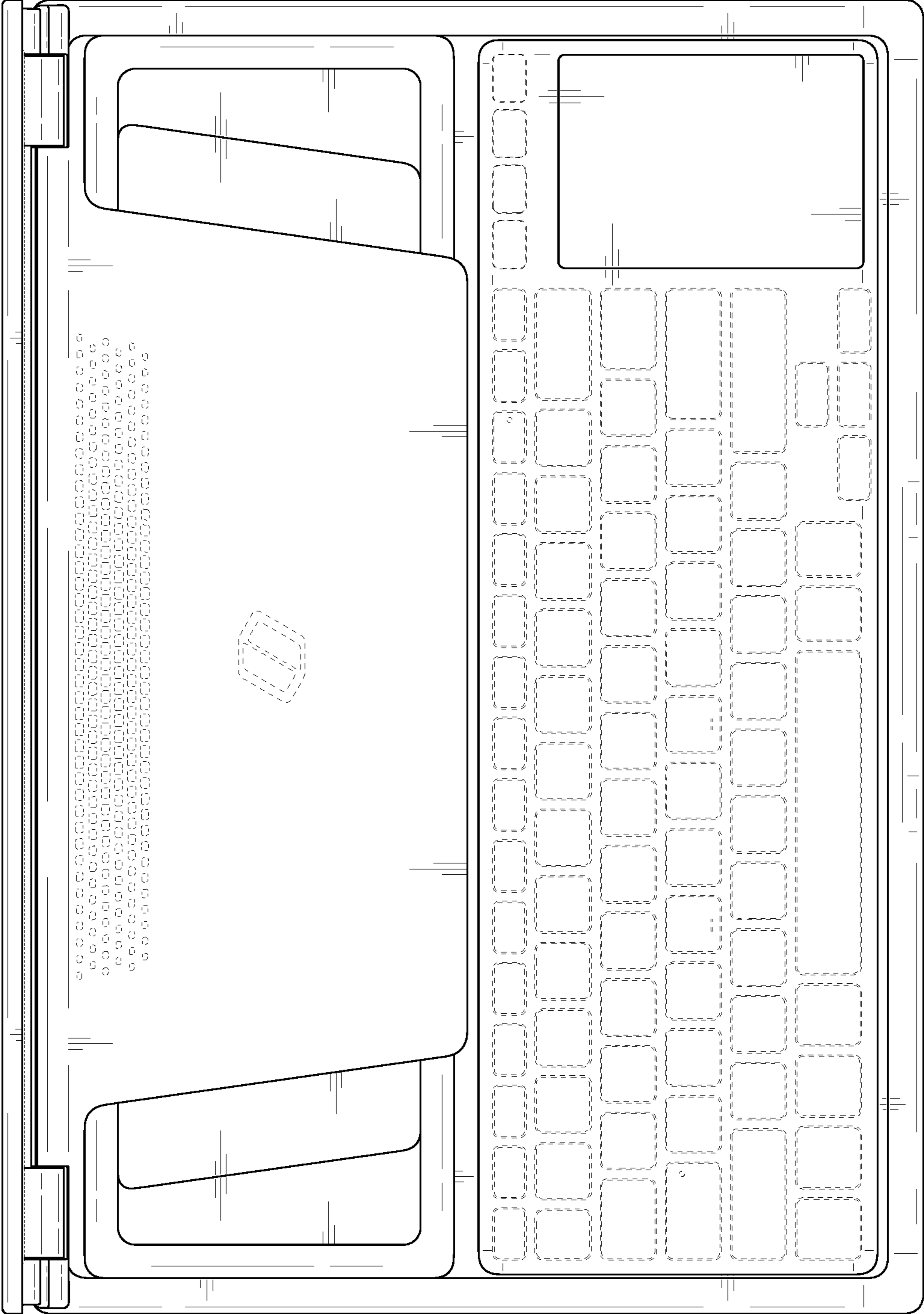


FIG. 7

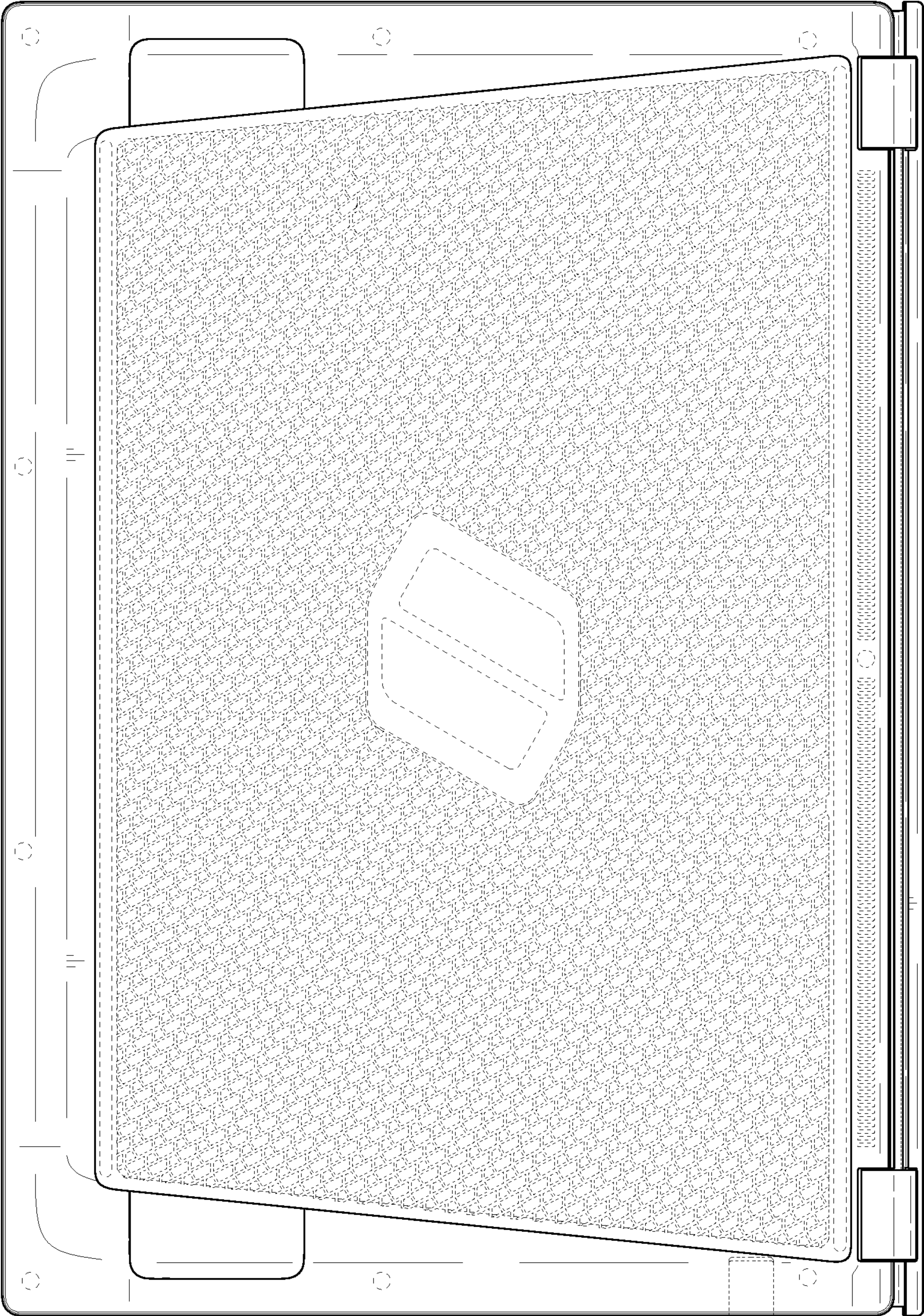


FIG. 8

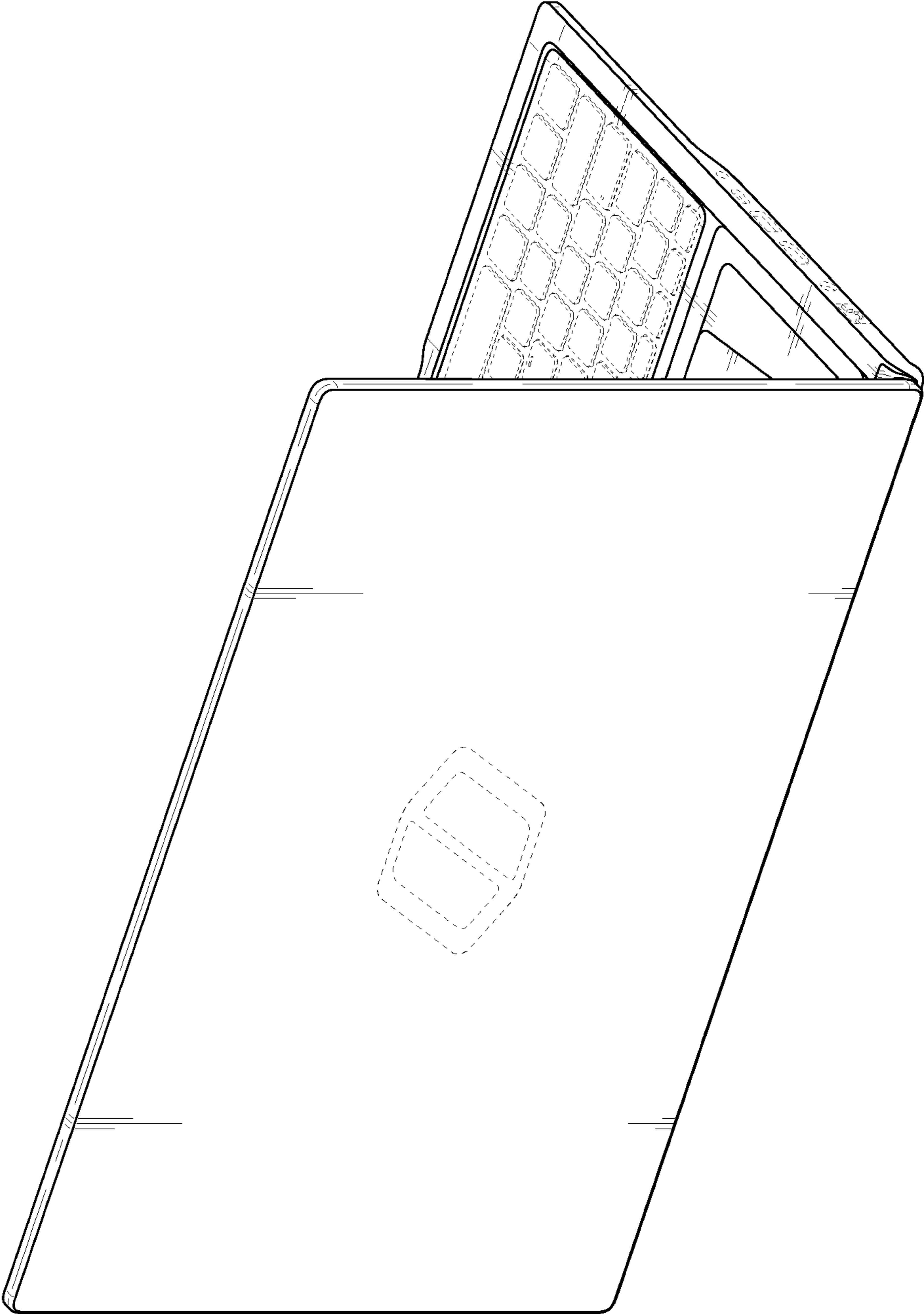


FIG. 9

