



US00D914667S

(12) **United States Design Patent** (10) **Patent No.:** **US D914,667 S**
Ruggiero et al. (45) **Date of Patent:** **** Mar. 30, 2021**

(54) **DISPLAY DEVICE**
(71) Applicant: **Innovative Vending Solutions, LLC**, Clayton, NJ (US)
(72) Inventors: **Gregory Ruggiero**, Sewell, NJ (US); **Richard Ruggiero**, Sewell, NJ (US); **Jonathan M. Ruggiero**, Turnersville, NJ (US)
(73) Assignee: **INNOVATIVE VENDING SOLUTIONS, LLC**, Clayton, NJ (US)

4,538,719 A 9/1985 Gray et al.
D289,578 S 4/1987 Ruffin
D302,063 S 7/1989 Frazier et al.
5,149,114 A 9/1992 Lewandowski et al.
D331,135 S 11/1992 Lewandowski et al.
(Continued)

FOREIGN PATENT DOCUMENTS

CN 2875408 Y 3/2007
CN 202191023 U 4/2012
(Continued)

OTHER PUBLICATIONS

Osaki OS-7200H Ultra Curve 3D Deluxe Zero gravity Massage Chair, Mar. 18, 2014, <<http://www.themassagechair.com>> <<http://themassagechair.com>>.
(Continued)

Primary Examiner — Mary Ann Calabrese
Assistant Examiner — Catherine Ho
(74) *Attorney, Agent, or Firm* — Fox Rothschild LLP

(**) Term: **15 Years**
(21) Appl. No.: **29/719,902**
(22) Filed: **Jan. 8, 2020**
(51) **LOC (13) Cl.** **14-02**
(52) **U.S. Cl.**
USPC **D14/307**
(58) **Field of Classification Search**
USPC D14/125, 126, 127, 128, 129, 302–307, D14/371, 900–902; D20/1, 10, 12, 13, D20/14, 15, 16, 17, 18, 19, 20, 21, 29, D20/30, 32, 33, 35, 37, 39, 40, 41, 42; D21/332, 325, 369, 370; D99/28
CPC G09F 1/00; G09F 1/08; G09F 5/00; G09F 5/02; G09F 7/00; G09F 19/00; G09F 23/00; G09F 27/00; Y10S 362/812; A47F 3/00; A47F 8/00; A47F 11/00
See application file for complete search history.

(57) **CLAIM**

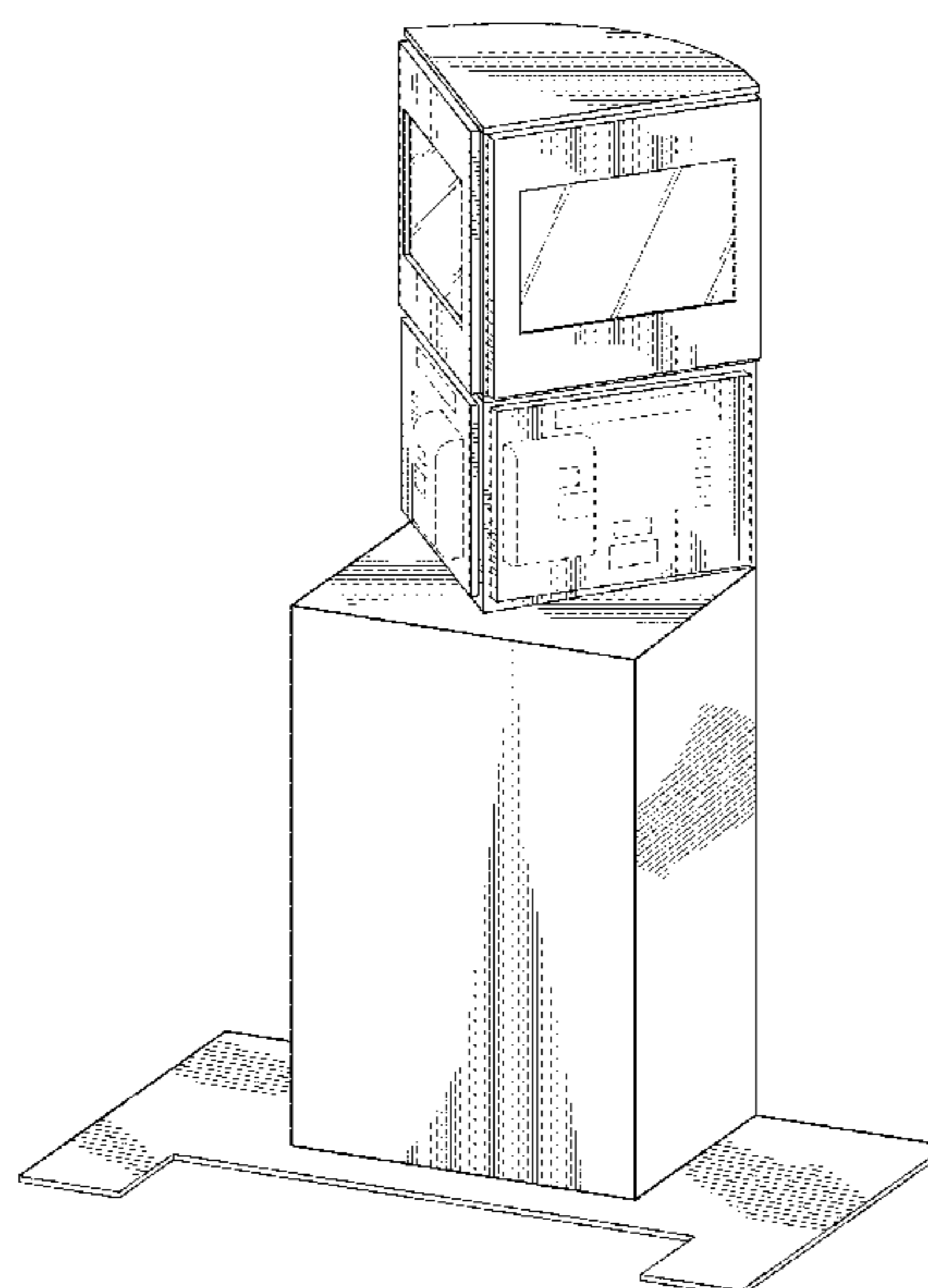
The ornamental design for a display device, as shown and described.

DESCRIPTION

FIG. 1 is a front right top perspective view of a display device, showing our new design;
FIG. 2 is a front view thereof;
FIG. 3 is a rear view thereof;
FIG. 4 is a right side view thereof;
FIG. 5 is a left side view thereof;
FIG. 6 is a top view thereof; and,
FIG. 7 is a bottom view thereof.
The broken line portion of the figure drawings is included to show portions of the article that form no part of the claimed design.

(56) **References Cited**
U.S. PATENT DOCUMENTS
3,102,648 A 9/1963 Hughes et al.
3,948,379 A 4/1976 Warner
3,978,659 A 9/1976 Smith et al.
3,978,959 A 9/1976 Muellner
4,009,891 A 3/1977 Jensen
4,381,870 A 5/1983 Muellner
4,450,968 A 5/1984 Muellner

1 Claim, 6 Drawing Sheets



(56)

References Cited

U.S. PATENT DOCUMENTS

5,526,916 A 6/1996 Amdahl et al.
 D389,522 S * 1/1998 Hesselbach D14/371
 D396,918 S 8/1998 Golichowski et al.
 5,921,373 A 7/1999 Amdahl et al.
 6,024,203 A 2/2000 Amdahl et al.
 D424,575 S * 5/2000 Wilson D14/130
 6,125,985 A 10/2000 Amdahl et al.
 6,142,283 A 11/2000 Amdahl et al.
 D438,182 S * 2/2001 Wilson D14/130
 6,250,451 B1 6/2001 Thirkill
 D452,711 S * 1/2002 White D20/10
 6,381,744 B2 * 4/2002 Nanos G06Q 30/02
 725/24
 D470,895 S 2/2003 Cole
 D477,037 S * 7/2003 O'Connor D20/42
 D505,765 S * 5/2005 Swaine D99/28
 D505,948 S * 6/2005 Vrachan D14/307
 D531,375 S 10/2006 Lauer et al.
 D566,702 S 4/2008 Malone et al.
 D590,387 S * 4/2009 Chen D14/307
 D590,449 S * 4/2009 Ishii D21/325
 D607,948 S 1/2010 de Viveiros Ortiz
 D611,047 S 3/2010 Smith et al.
 7,748,511 B1 7/2010 Maher
 7,794,014 B2 9/2010 Beall et al.
 D626,544 S 11/2010 Bleck et al.
 D658,721 S 5/2012 Yang
 D661,293 S * 6/2012 Kuroda D14/307
 8,272,491 B2 9/2012 Khairallah et al.
 D674,020 S * 1/2013 Hecht D20/1
 8,613,385 B1 12/2013 Hulet et al.
 D708,676 S 7/2014 Ballman et al.
 D709,264 S 7/2014 Lee et al.
 D716,792 S 11/2014 Raymonde Looze
 D723,538 S * 3/2015 Catoe D14/307
 D724,290 S * 3/2015 Cha D99/28
 D727,307 S * 4/2015 Kraft D14/307
 D734,735 S * 7/2015 Tooker D14/172
 D749,290 S 2/2016 Pollmann
 D752,573 S * 3/2016 Ballman D14/307
 D756,064 S 5/2016 Budde et al.
 9,418,345 B1 8/2016 Meehan et al.
 9,471,918 B1 10/2016 Krampe et al.
 D782,465 S 3/2017 Chen et al.
 D808,380 S * 1/2018 Dillon D14/307
 D809,068 S 1/2018 Ballman et al.
 D809,069 S * 1/2018 Ballman D21/369

9,904,917 B2 2/2018 Ruggiero et al.
 D828,348 S 9/2018 Lee et al.
 D841,643 S 2/2019 Dillon et al.
 D843,366 S 3/2019 Koltsov
 D871,498 S * 12/2019 Kim D18/3.1
 D872,414 S * 1/2020 Naganawa D99/43
 D896,219 S * 9/2020 Ruggiero D14/307
 D900,088 S * 10/2020 Aughney D14/307
 D902,197 S * 11/2020 Cloak D14/307
 2005/0101891 A1 5/2005 Delhi
 2006/0103194 A1 5/2006 Thalheimer
 2007/0040652 A1 2/2007 Quatro
 2007/0205277 A1 9/2007 Tashiro
 2008/0072509 A1 3/2008 Eberhardt
 2008/0185888 A1 8/2008 Beall et al.
 2009/0266673 A1 10/2009 Dallaire et al.
 2011/0011930 A1 1/2011 Starr et al.
 2011/0052357 A1 3/2011 Torrison
 2012/0310425 A1 12/2012 Kang
 2013/0030998 A1 1/2013 Colley et al.
 2013/0046197 A1 2/2013 Dlugos, Jr. et al.
 2014/0266594 A1 9/2014 Reiser
 2015/0057837 A1 2/2015 Moore, Jr.
 2015/0356801 A1 12/2015 Nitu et al.
 2017/0015376 A1 1/2017 Belman
 2019/0088055 A1 3/2019 Homad

FOREIGN PATENT DOCUMENTS

CN 203318207 U 12/2013
 CN 105701656 A 6/2016
 DE 202004017141 U1 1/2005
 ES 2401012 A1 4/2013
 JP 2000264213 A 9/2000
 JP 2017049777 3/2017
 JP 2019051840 A 4/2019
 KR 101197587 B1 11/2012
 WO 2013/045728 4/2013

OTHER PUBLICATIONS

“The Charger Chair”, Mar. 17, 2014, <<http://www.personal.psu.edu/cjz5033/charger%20chair%20concept.html>>.
 Mitchell et al “Wheelchairs: What life care planners should know.”
 Inn: Journal of Life Care Planning. 2005 Retrieved on Feb. 29, 2020
 from <<http://www.figeducation.com/nlcp/resources/section-1/Wheelchairs%20what%20LCP%20Should%20know.pdf>>.

* cited by examiner

FIG. 1

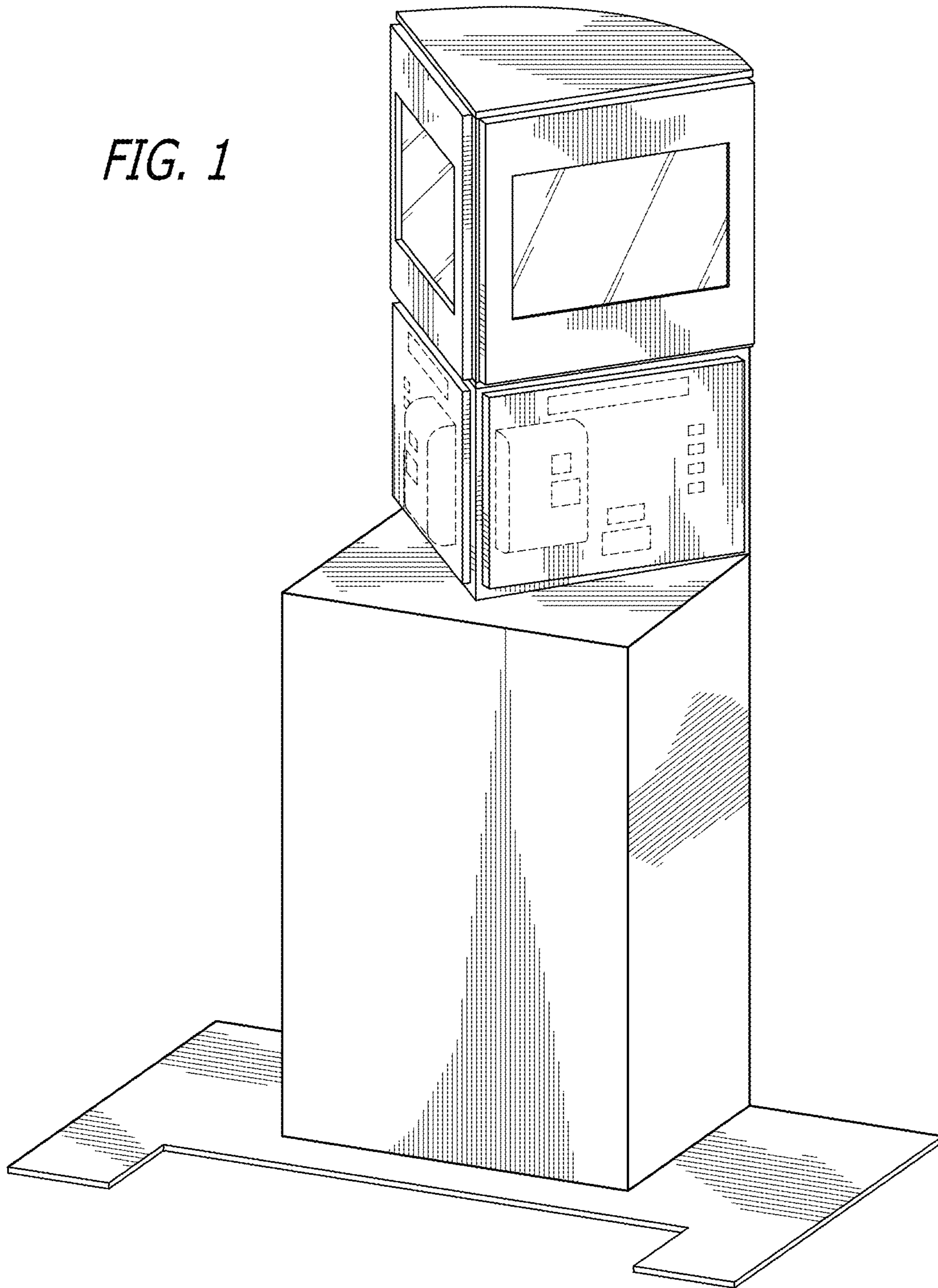


FIG. 2

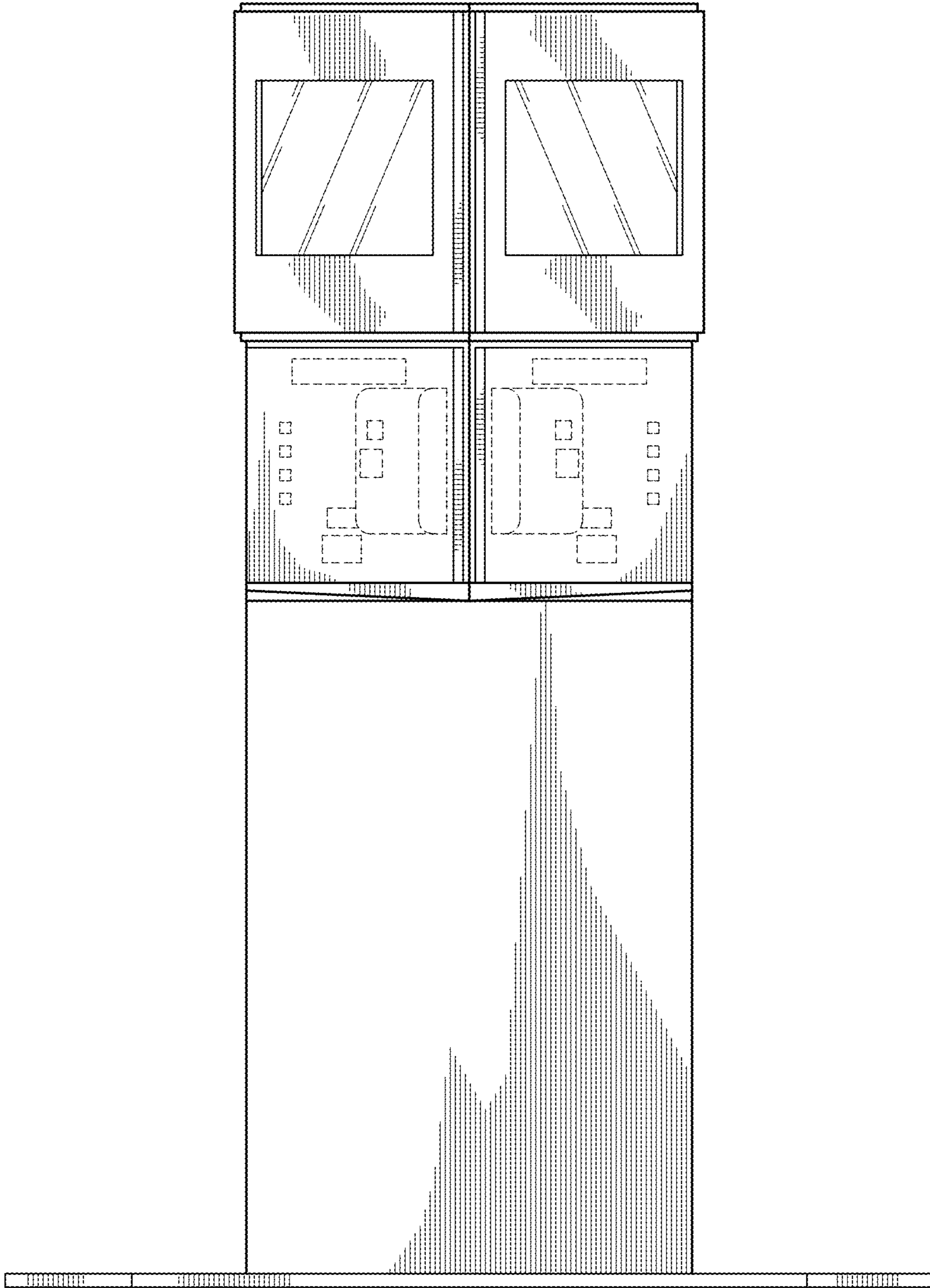


FIG. 3

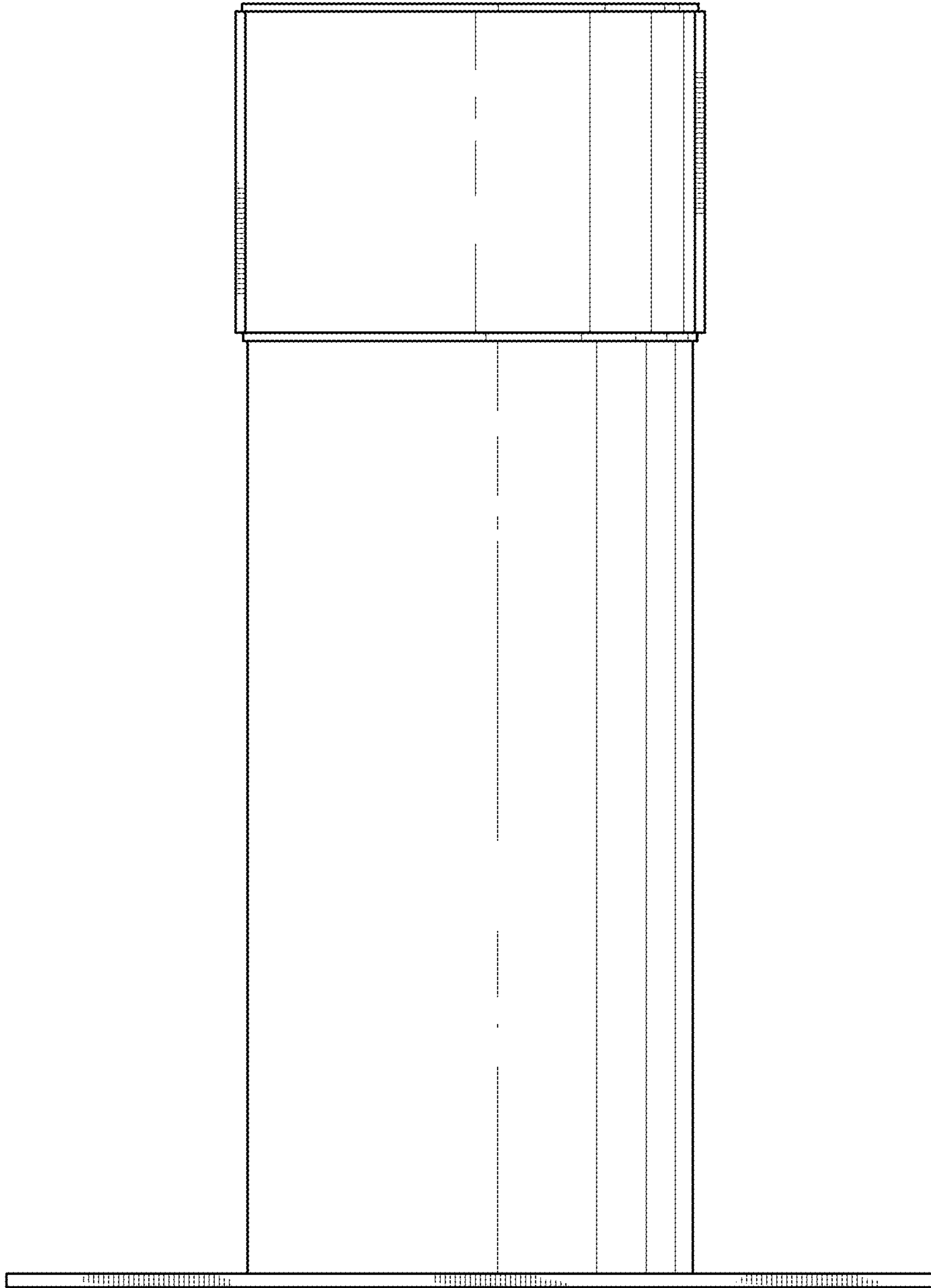


FIG. 4

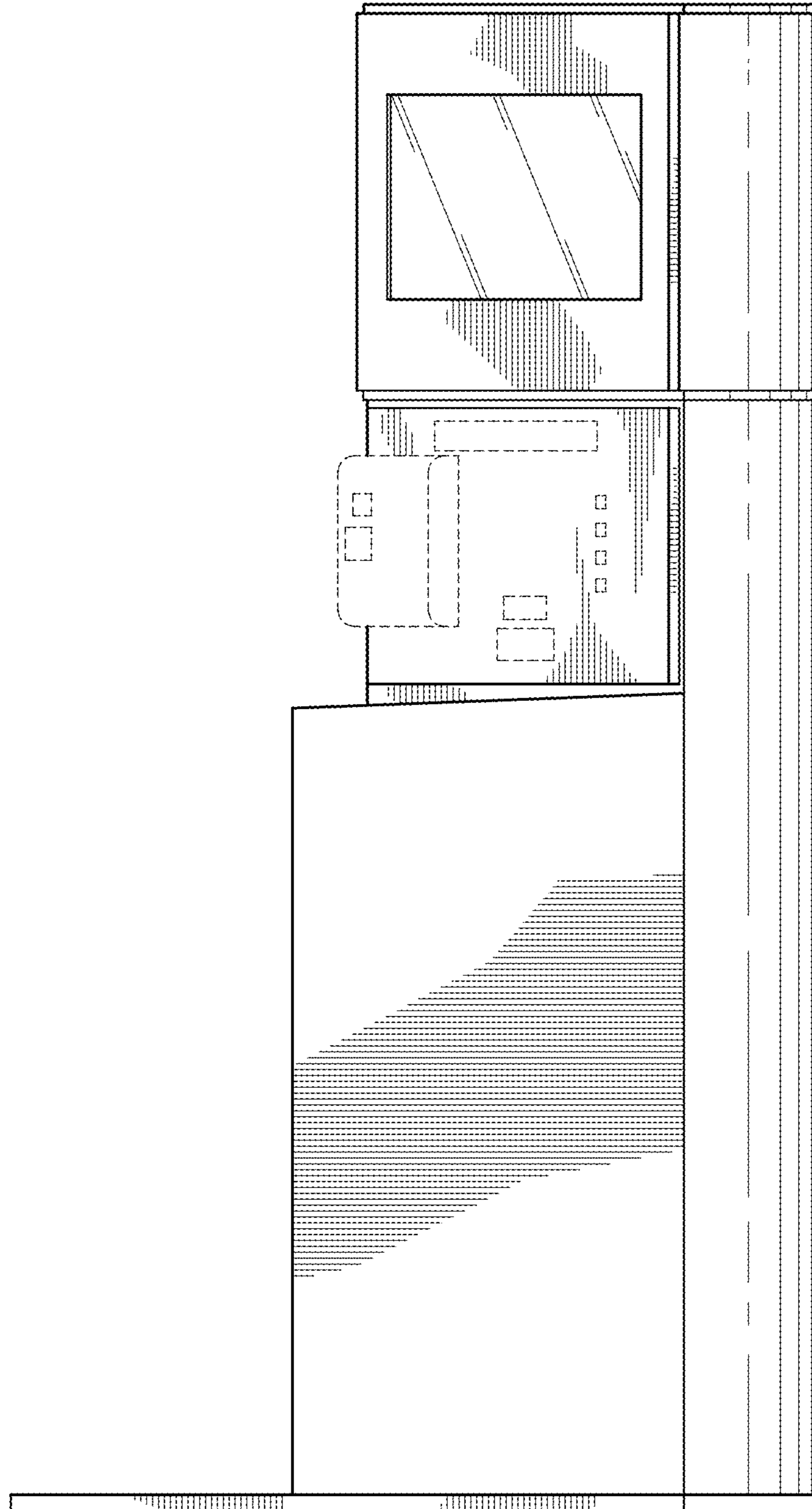
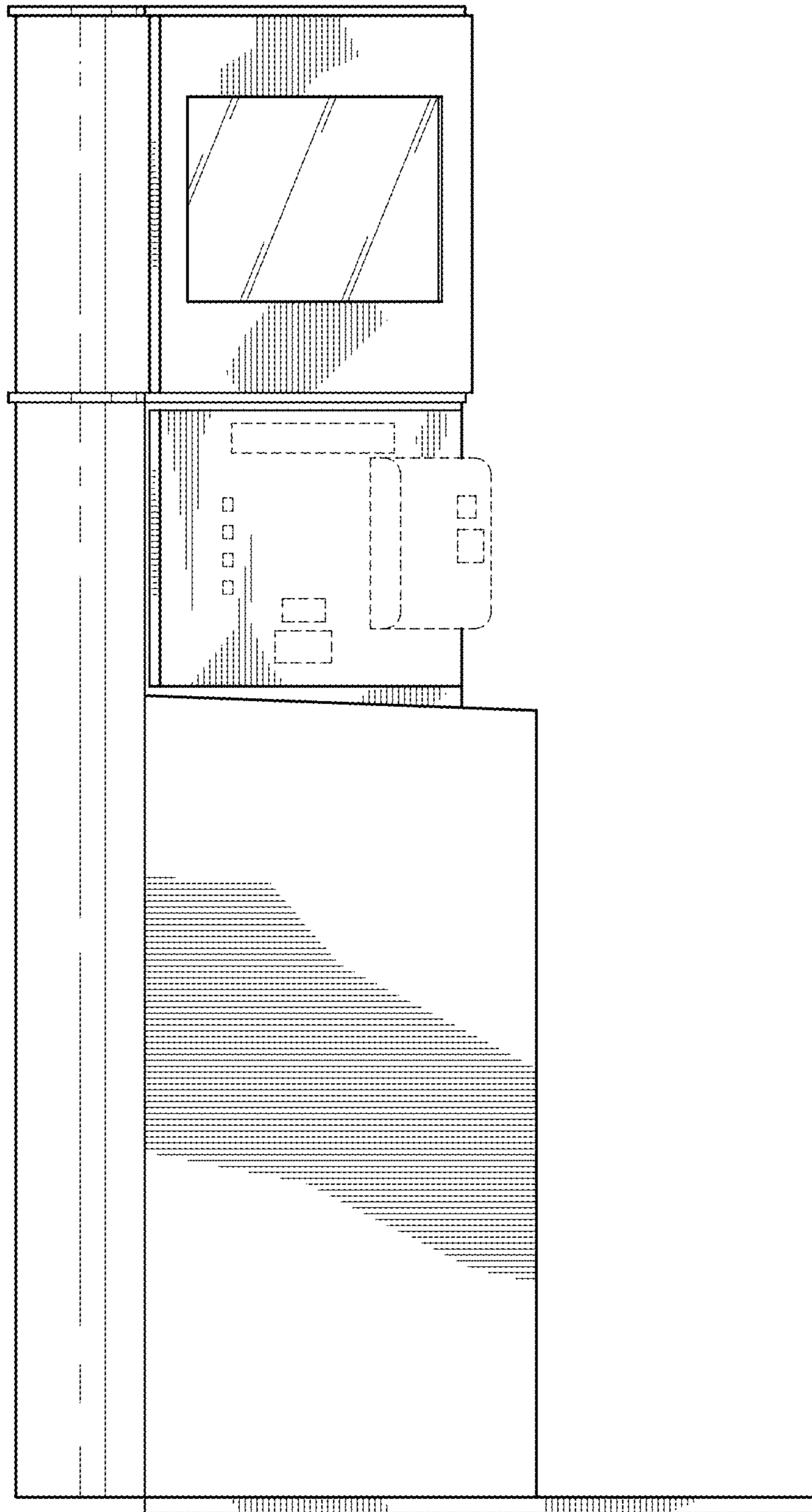


FIG. 5



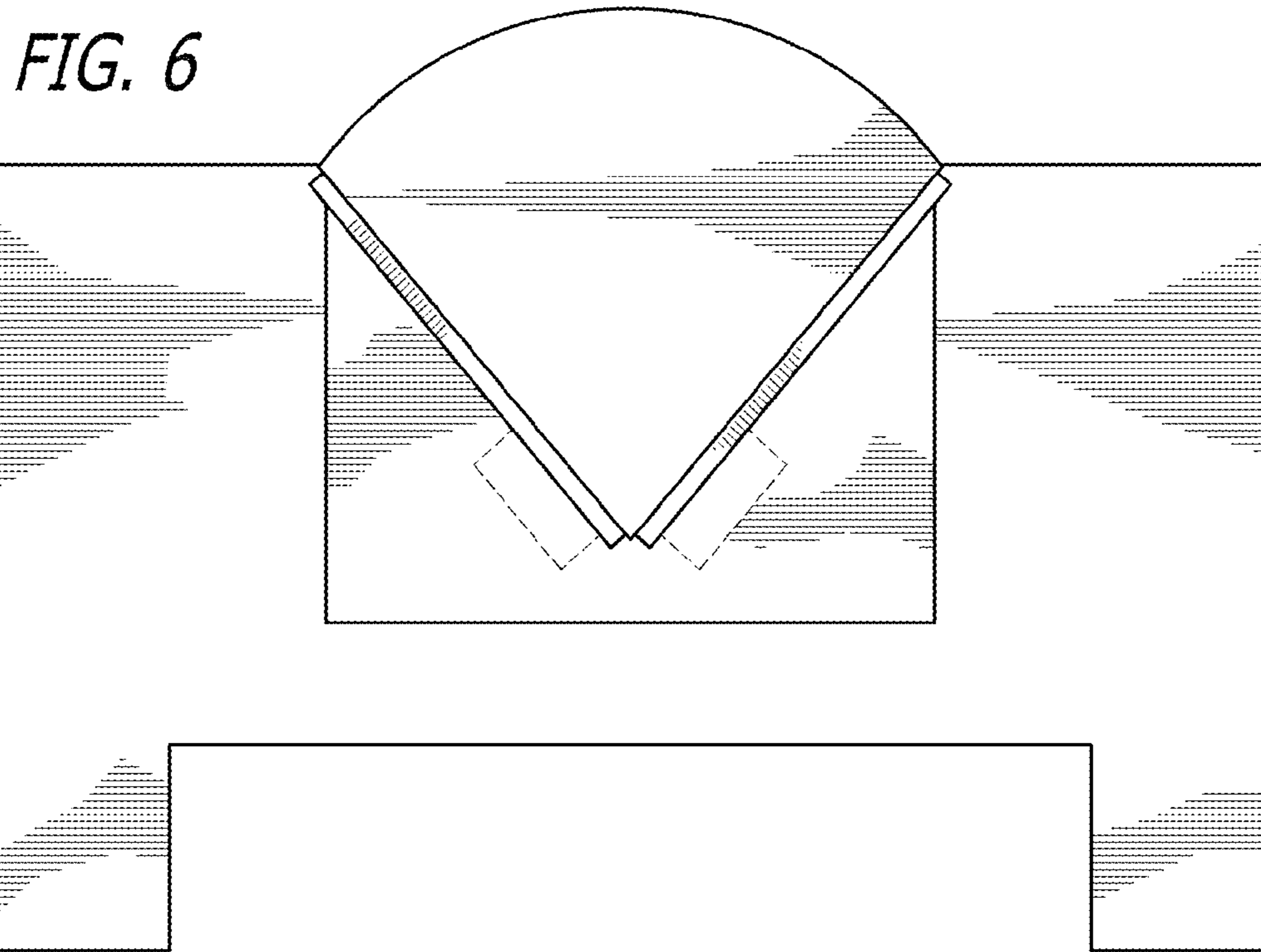


FIG. 7

