



US00D914665S

(12) **United States Design Patent**
Mimlitch, III et al.

(10) **Patent No.:** **US D914,665 S**
(45) **Date of Patent:** **** Mar. 30, 2021**

(54) **SERVER RACK SHELF**

(71) Applicant: **Innovation First, Inc.**, Greenville, TX (US)

(72) Inventors: **Robert H. Mimlitch, III**, McKinney, TX (US); **John V-Neun**, Rockwall, TX (US); **James Whitney Wilson**, Nevada, TX (US); **Jacob Vierus**, Rockwall, TX (US); **Juan Carlos Valles**, Forney, TX (US)

(73) Assignee: **Innovation First, Inc.**, Greenville, TX (US)

(**) Term: **15 Years**

(21) Appl. No.: **29/713,332**

(22) Filed: **Nov. 15, 2019**

(51) **LOC (13) Cl.** **14-02**

(52) **U.S. Cl.**
USPC **D14/300**

(58) **Field of Classification Search**
USPC D3/304, 310, 313, 319; D6/672, 673, D6/675, 675.1, 682.2, 683.1; D14/300, D14/313

(Continued)

(56) **References Cited**

U.S. PATENT DOCUMENTS

D270,678 S * 9/1983 Stein D3/304
4,577,914 A * 3/1986 Stravitz G11B 33/04
206/387.14

(Continued)

OTHER PUBLICATIONS

Front Cover for Open Frame Wall Mount Rack, racksolutions.com, <https://www.racksolutions.com/front-cover-for-open-frame-wall-mount-rack.html?gclid=>

Cj0KCQiAhs79BRD0ARIsAC6XpaUZUyw88jxNFkP1P-uAlwZ70fRfX2pSOVZ_k75XwNZWi9V_IvBrthEaAqhIEALw_wcB (Year: 2020).*

Primary Examiner — Steven J Czyz

(74) *Attorney, Agent, or Firm* — Adam K. Sacharoff; Much Shelist, P.C.

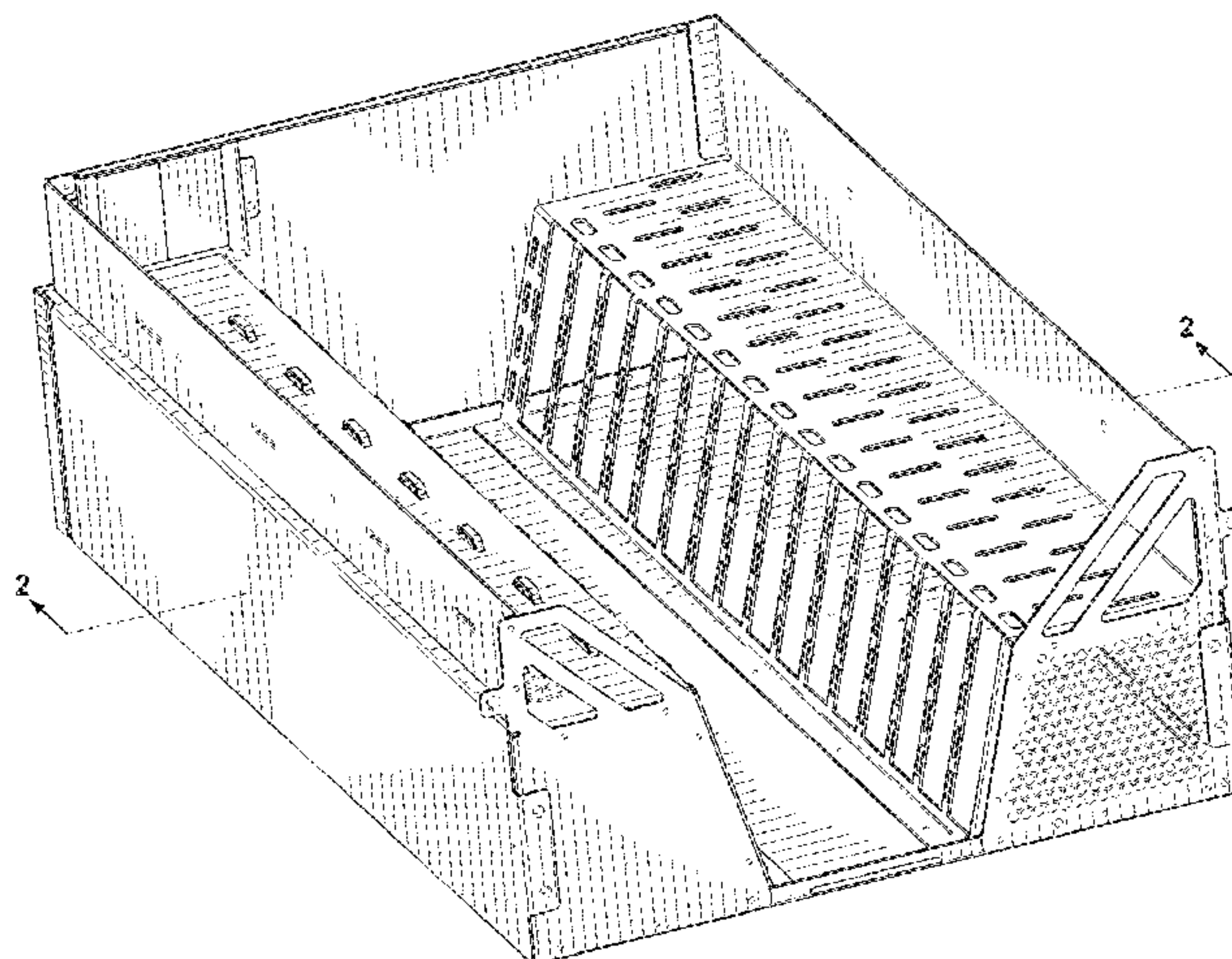
(57) **CLAIM**

The ornamental design for a server rack shelf, as shown and described.

DESCRIPTION

FIG. 1 is a front left side perspective view of a server rack shelf showing our new design;
FIG. 2 is a cross sectional front left side perspective view thereof taken along section line 2-2 from FIG. 1;
FIG. 3 front right side perspective view thereof;
FIG. 4 is a cross sectional front right side perspective view thereof taken along section line 4-4 from FIG. 3;
FIG. 5 is another front right side perspective view thereof taken from an elevated perspective;
FIG. 6 is a rear left side perspective view thereof;
FIG. 7 is a cross sectional rear left side perspective view thereof taken along section line 7-7 from FIG. 6;
FIG. 8 is a rear right side perspective view thereof;
FIG. 9 is a cross sectional rear right side perspective view thereof taken along section line 9-9 from FIG. 8;
FIG. 10 is a front view thereof;
FIG. 11 is a rear view thereof;
FIG. 12 is a left side view thereof;
FIG. 13 is a right side view thereof;
FIG. 14 is a top plan view thereof;
FIG. 15 is a bottom plan view thereof;
FIG. 16 is a right side front perspective view thereof;
FIG. 17 cross sectional right side front perspective view thereof taken along line 17-17 from FIG. 16;
FIG. 18 is a left side front perspective view thereof;
FIG. 19 is a cross sectional left side front perspective view thereof taken along line 19-19 from FIG. 18;
FIG. 20 is a front right perspective view thereof; and,
FIG. 21 is a cross sectional front right perspective view thereof taken along line 21-21 from FIG. 20.

(Continued)



The broken lines shown in the drawings depict portions of the Server Rack Shelf that form no part of the claimed design.

1 Claim, 21 Drawing Sheets

(58) Field of Classification Search

CPC H05K 7/14; H05K 7/1404; H05K 7/1411; H05K 7/1461; H05K 7/1489; H05K 7/183; H05K 7/1488; H05K 7/1421; H05K 7/1485; F16B 2/24

See application file for complete search history.

(56) References Cited

U.S. PATENT DOCUMENTS

D308,777 S * 6/1990 Gambello D6/682.2
 D311,624 S * 10/1990 O'Leary D3/304
 D327,971 S * 7/1992 Cugley D3/304
 RE34,369 E * 9/1993 Darden G06F 1/18
 439/374
 D344,838 S * 3/1994 Hakansson D3/304
 5,483,420 A * 1/1996 Schiavini H05K 7/1404
 211/41.17
 D402,130 S * 12/1998 Wolff D6/675
 5,883,784 A * 3/1999 Hughes H05K 7/1404
 174/16.3
 5,884,779 A * 3/1999 Rich H05K 7/1404
 211/41.17
 5,909,359 A * 6/1999 Summers G06F 1/184
 174/250
 5,914,854 A * 6/1999 Holt G06F 1/184
 361/679.23
 D413,442 S * 9/1999 Jacober D3/304
 5,954,301 A * 9/1999 Joseph H01R 9/2416
 248/68.1
 6,011,701 A * 1/2000 Kopp A47B 21/00
 361/818
 D429,093 S * 8/2000 Miller D6/683.1
 6,166,902 A * 12/2000 Liu G06F 1/181
 361/679.58
 6,272,016 B1 * 8/2001 Matonis H05K 7/1404
 165/80.3
 6,309,237 B1 * 10/2001 Longueville H05K 7/1418
 439/267
 D452,078 S * 12/2001 Dembicks D3/313
 D462,874 S * 9/2002 Simcox D3/313
 D472,710 S * 4/2003 Dembicks D3/313
 6,642,447 B1 * 11/2003 Mailloux H02G 3/081
 174/17 R
 D485,702 S * 1/2004 Becker D6/672
 D487,971 S * 4/2004 Bergeron D3/313

D492,484 S * 7/2004 Lin D3/260
 6,768,651 B2 * 7/2004 Takahashi G02B 6/3897
 361/688
 D496,179 S * 9/2004 Sjoberg D6/675
 D513,124 S * 12/2005 Funk D3/313
 D519,279 S * 4/2006 Krebs D3/304
 D538,537 S * 3/2007 Osborn D3/313
 7,263,620 B2 * 8/2007 Bresniker G06F 1/18
 340/540
 7,265,968 B2 * 9/2007 Champion G06F 1/185
 361/679.01
 D565,322 S * 4/2008 Mason D6/675
 D586,583 S * 2/2009 Schluter D6/675
 7,823,866 B1 * 11/2010 Pluymers H05K 7/1404
 269/254 CS
 8,223,494 B2 * 7/2012 Bult H05K 7/1404
 361/700
 D677,254 S * 3/2013 Crisp D14/300
 8,477,498 B2 * 7/2013 Porreca H05K 7/1404
 361/704
 8,582,302 B2 * 11/2013 Peterson H05K 7/1492
 361/724
 8,714,368 B2 * 5/2014 Tichy H04Q 1/10
 211/26
 8,861,213 B2 * 10/2014 Sisler H05K 7/20
 361/756
 D740,271 S * 10/2015 Kishita D14/300
 D740,272 S * 10/2015 Kishita D14/300
 9,307,629 B2 * 4/2016 Tissot H05K 1/0201
 9,370,090 B2 * 6/2016 Chauhan H05K 3/368
 9,370,117 B2 * 6/2016 Franck H05K 7/14
 9,370,119 B2 * 6/2016 Tonthat A47B 88/43
 9,414,524 B2 * 8/2016 Zemke H05K 7/2039
 9,456,520 B1 * 9/2016 Wilson A47B 47/027
 9,461,389 B2 * 10/2016 Novack H01R 25/162
 9,474,175 B2 * 10/2016 Lin H05K 5/0217
 D781,625 S * 3/2017 Poniatowski D6/683
 9,593,997 B2 * 3/2017 Corrigan H05K 7/1404
 D784,018 S * 4/2017 Shamp D3/304
 D793,774 S * 8/2017 Kelly D6/675
 9,814,156 B2 * 11/2017 Wilson H05K 7/183
 D804,822 S * 12/2017 Stratton D3/313
 9,924,611 B2 * 3/2018 Tonthat H05K 7/1489
 D830,742 S * 10/2018 Brendlinger D6/672
 10,136,540 B2 * 11/2018 Magnoux H05K 7/1485
 D837,577 S * 1/2019 Silkaitis D6/683
 D846,971 S * 4/2019 Wilson D8/377
 10,292,298 B2 * 5/2019 Yen H05K 7/1491
 D851,427 S * 6/2019 Vezina D6/672
 10,317,949 B1 * 6/2019 Lin G06F 1/166
 D867,792 S * 11/2019 Vezina D6/672
 D867,793 S * 11/2019 Davis D6/675
 10,533,919 B2 * 1/2020 Bradbury G01L 1/06
 D891,836 S * 8/2020 Silkaitis D6/683
 10,791,652 B2 * 9/2020 Thompson H05K 7/2049

* cited by examiner

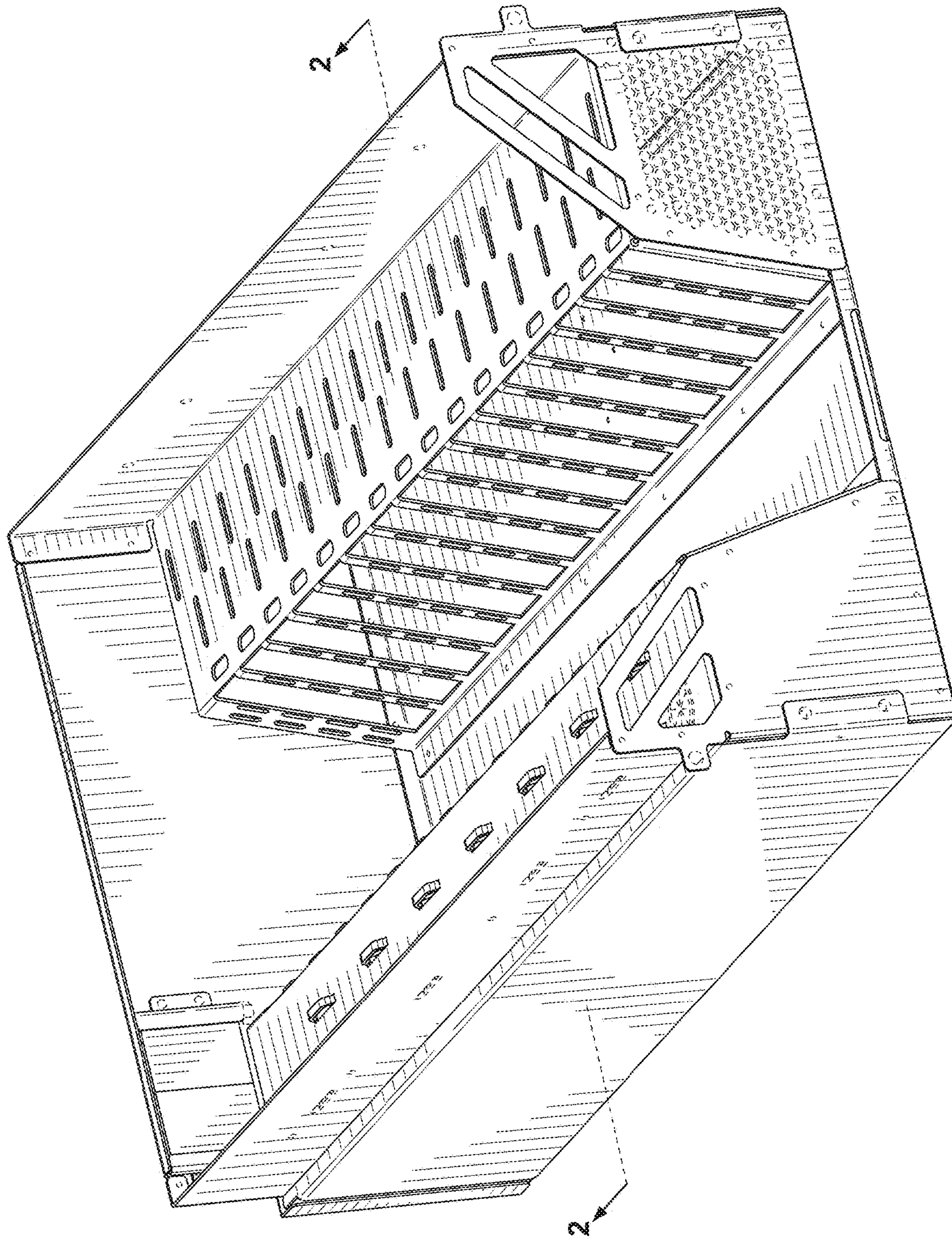


FIG. 1

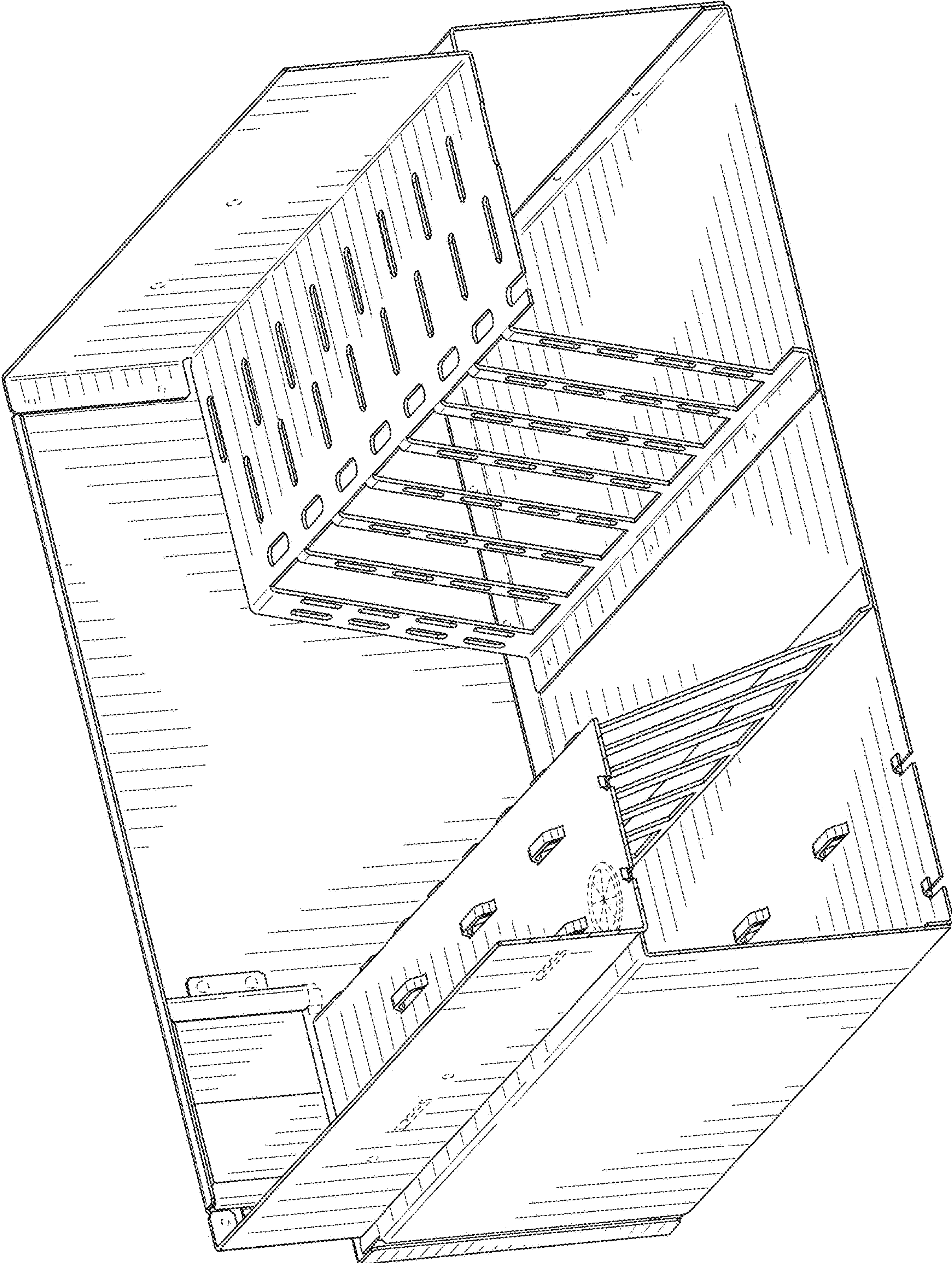


FIG. 2

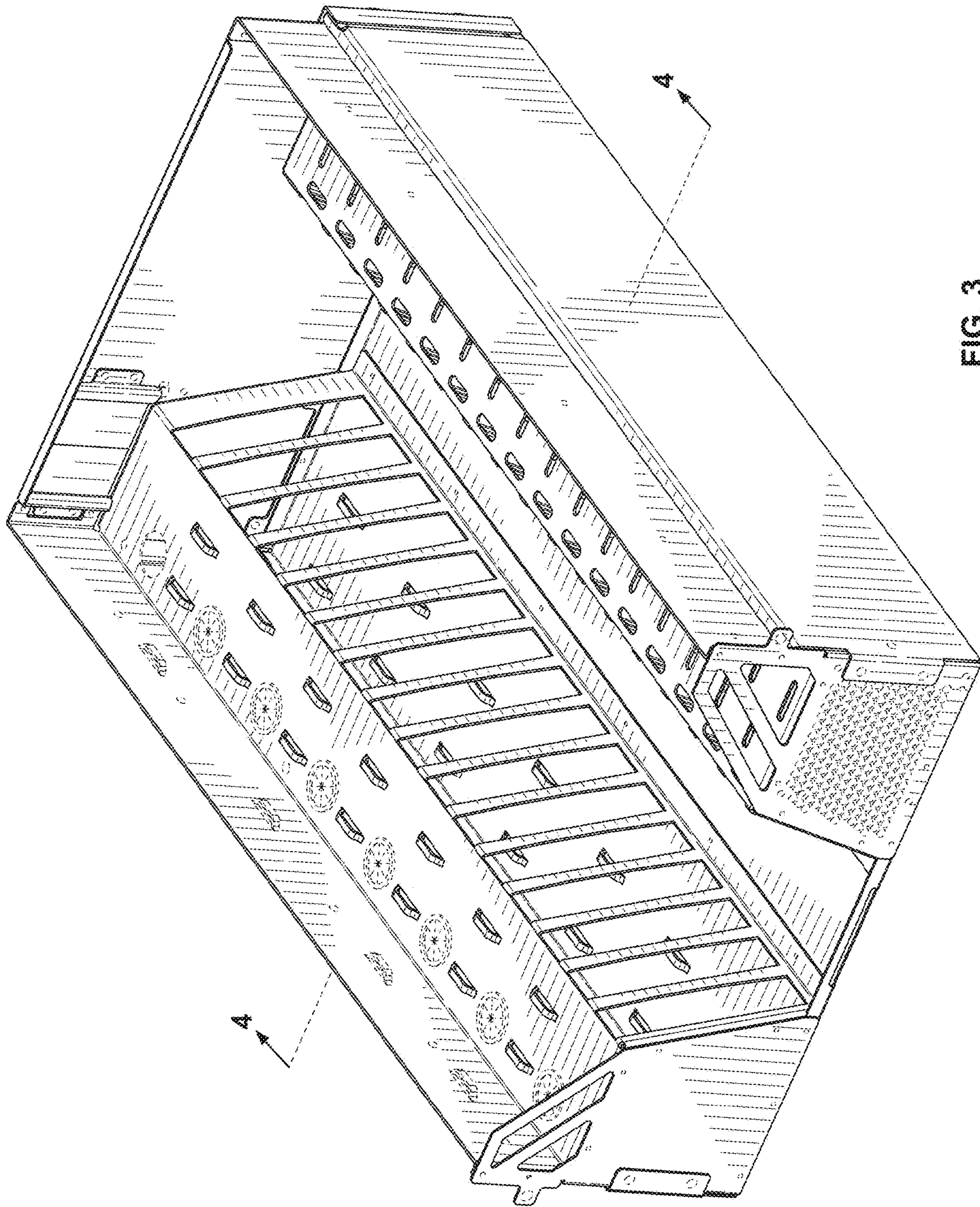


FIG. 3

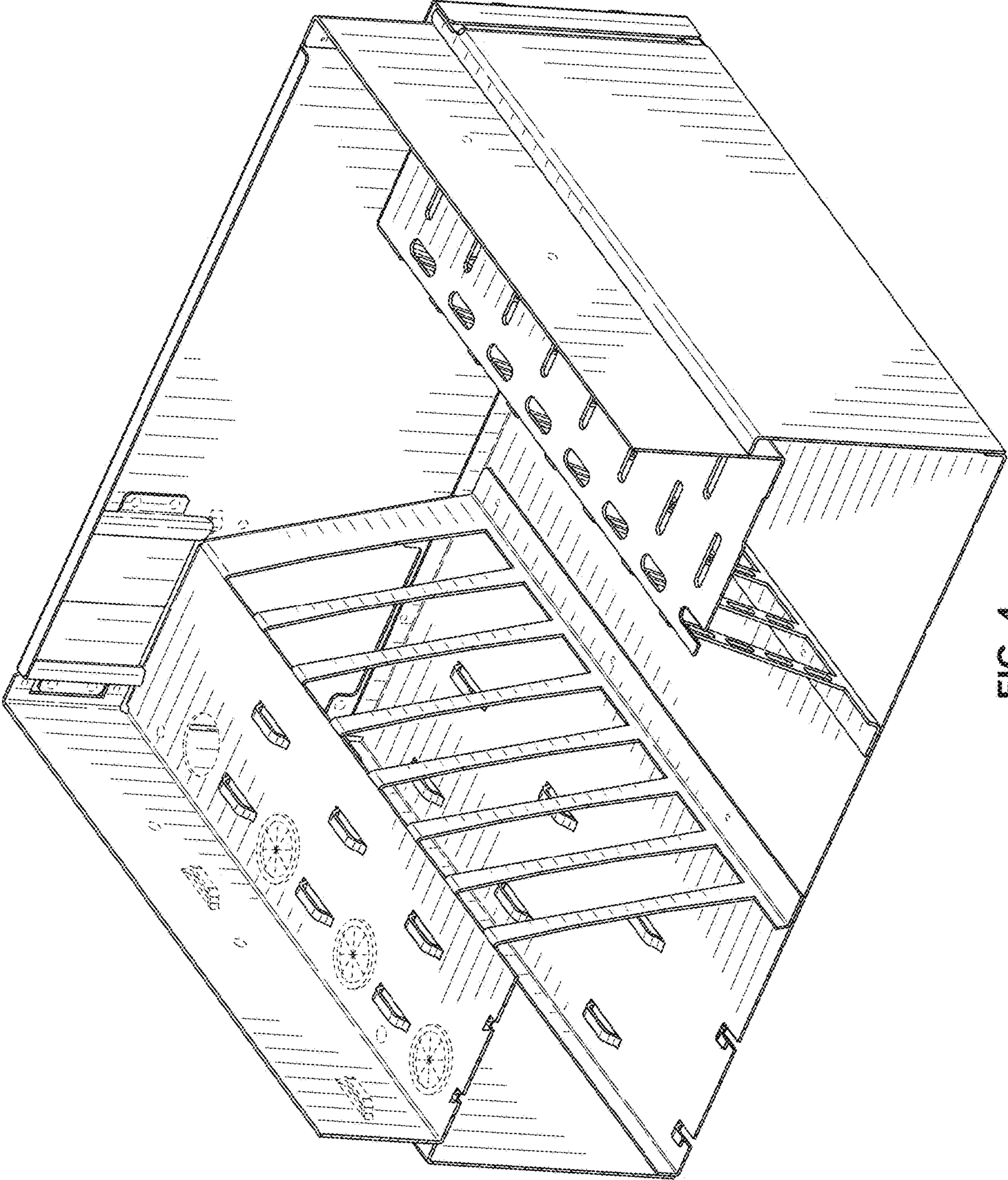


FIG. 4

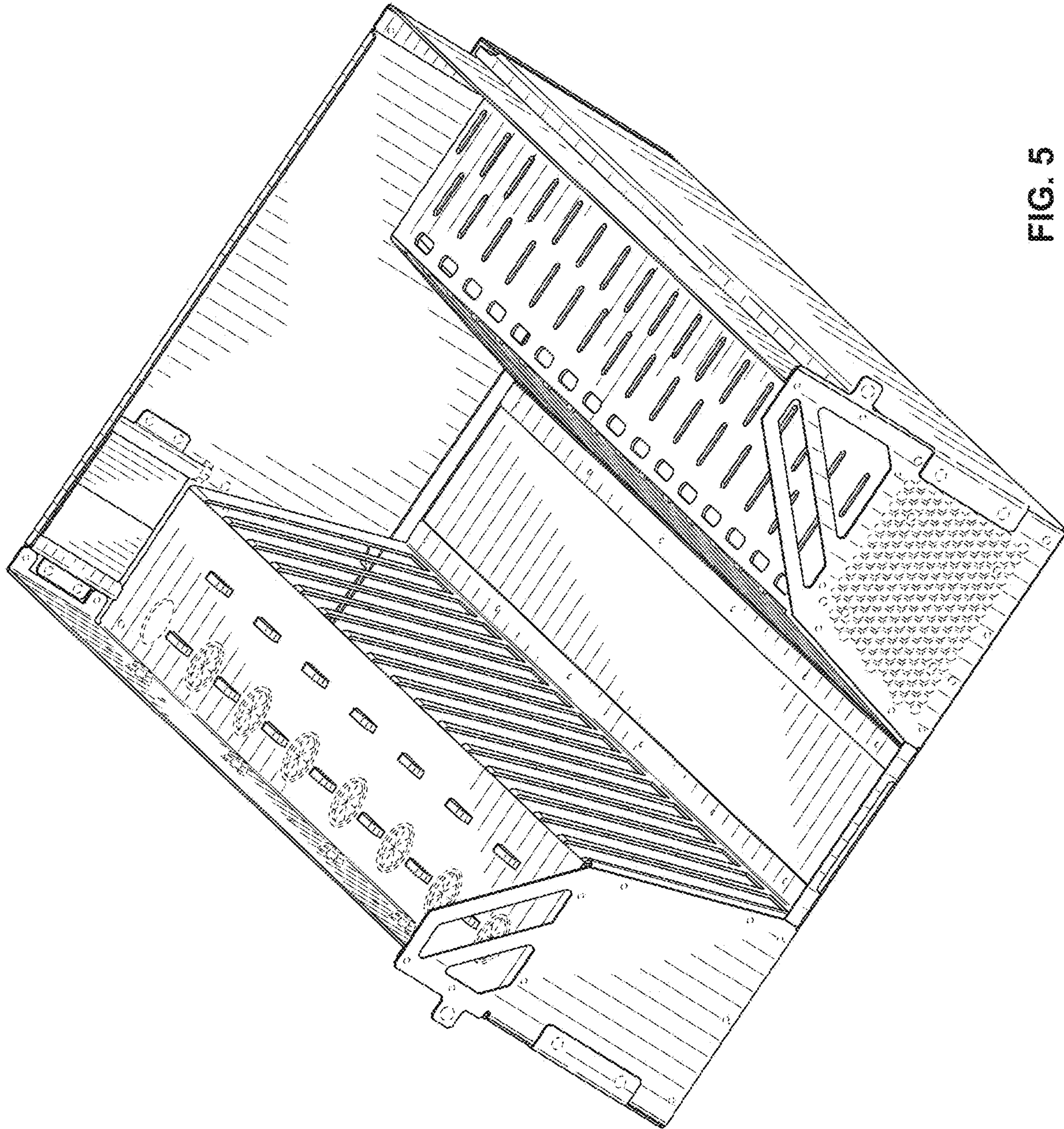


FIG. 5

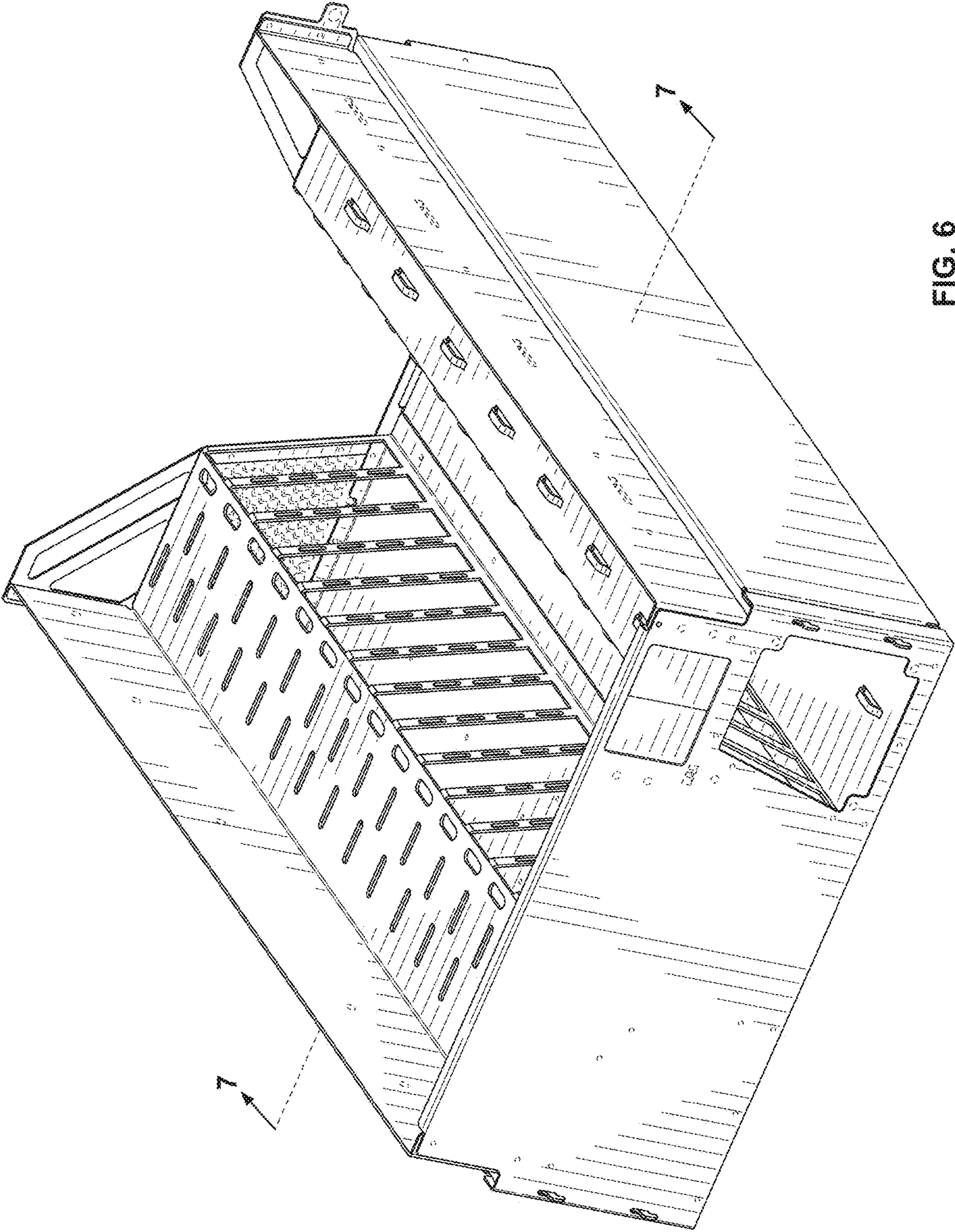


FIG. 6

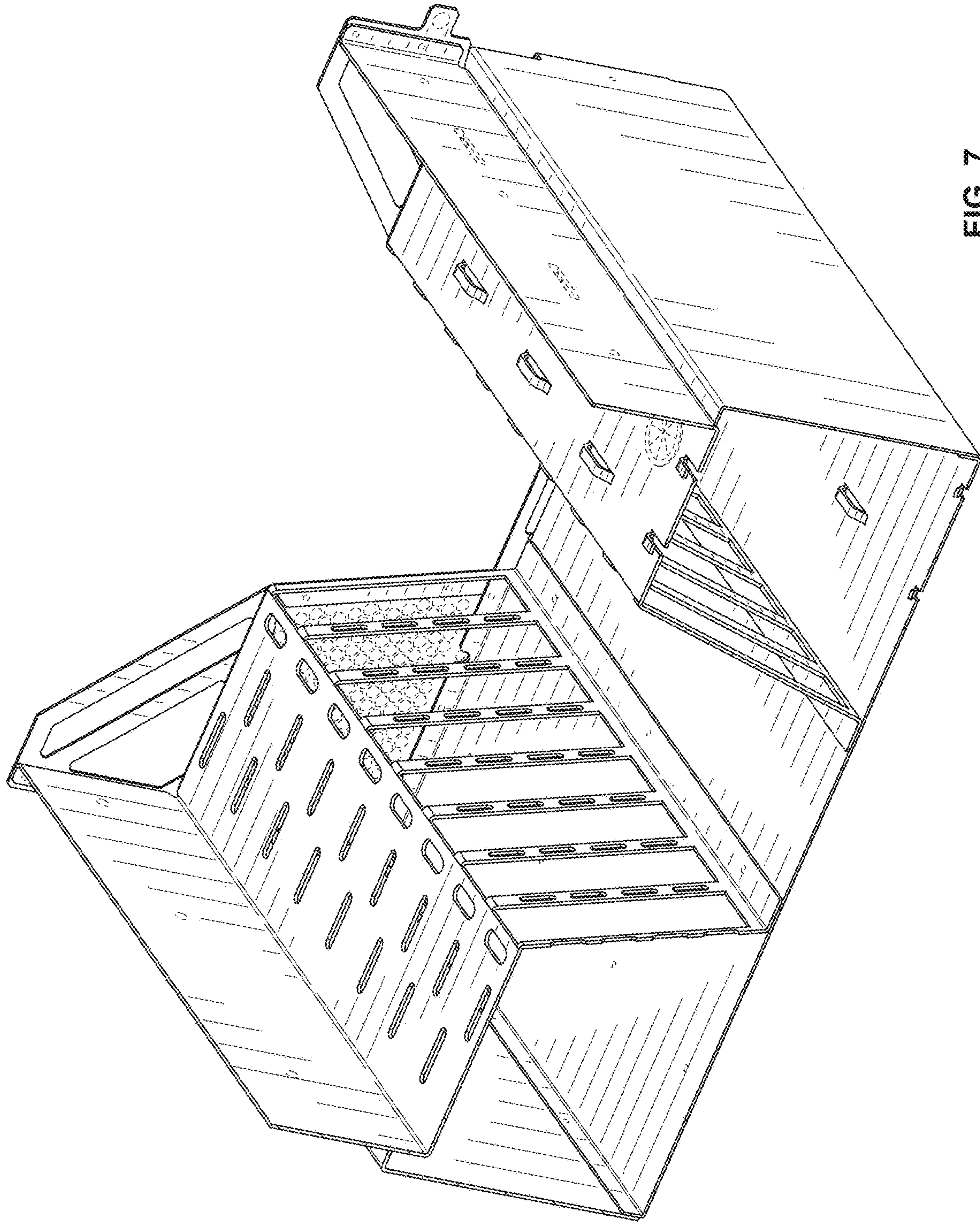


FIG. 7

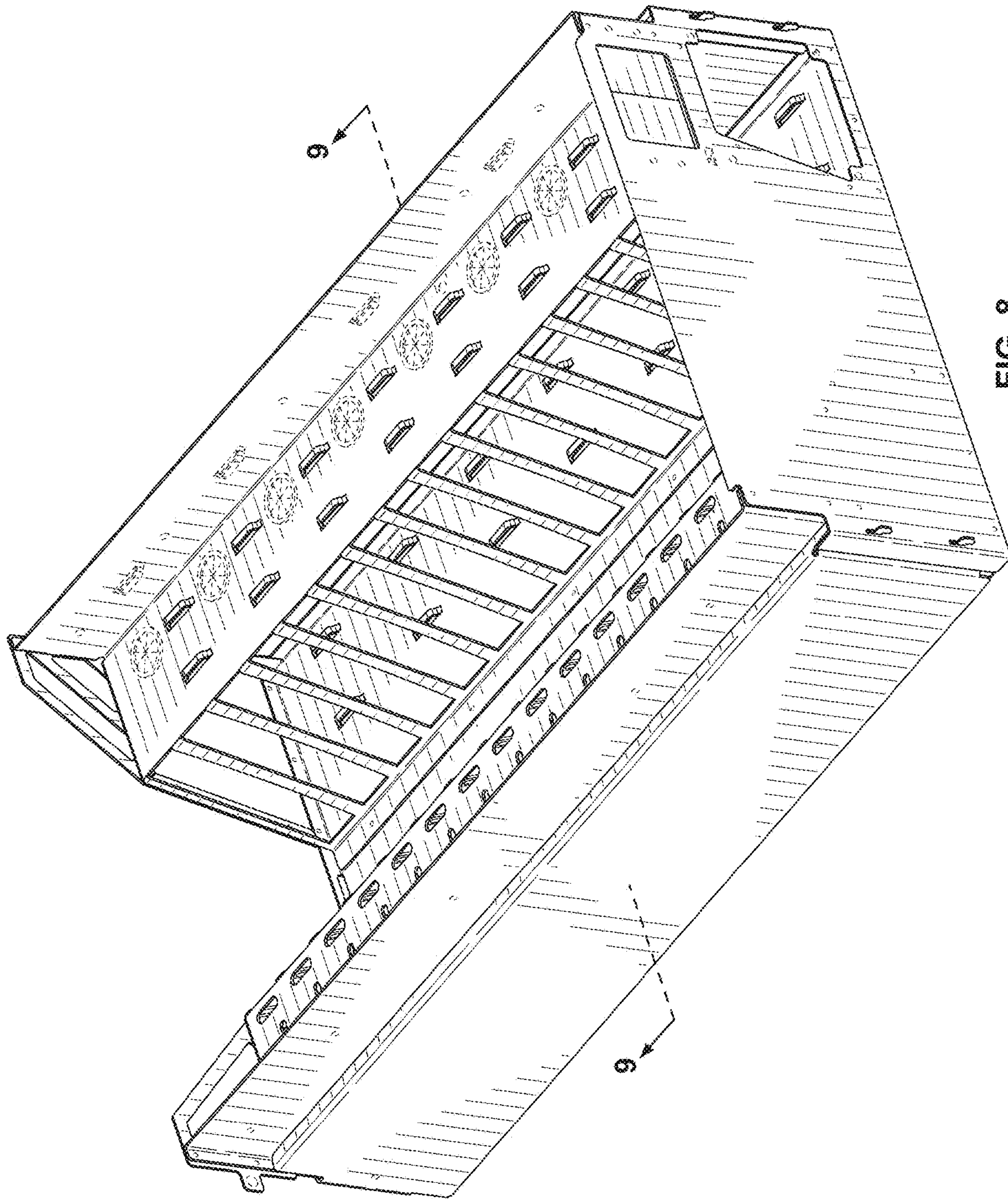


FIG. 8

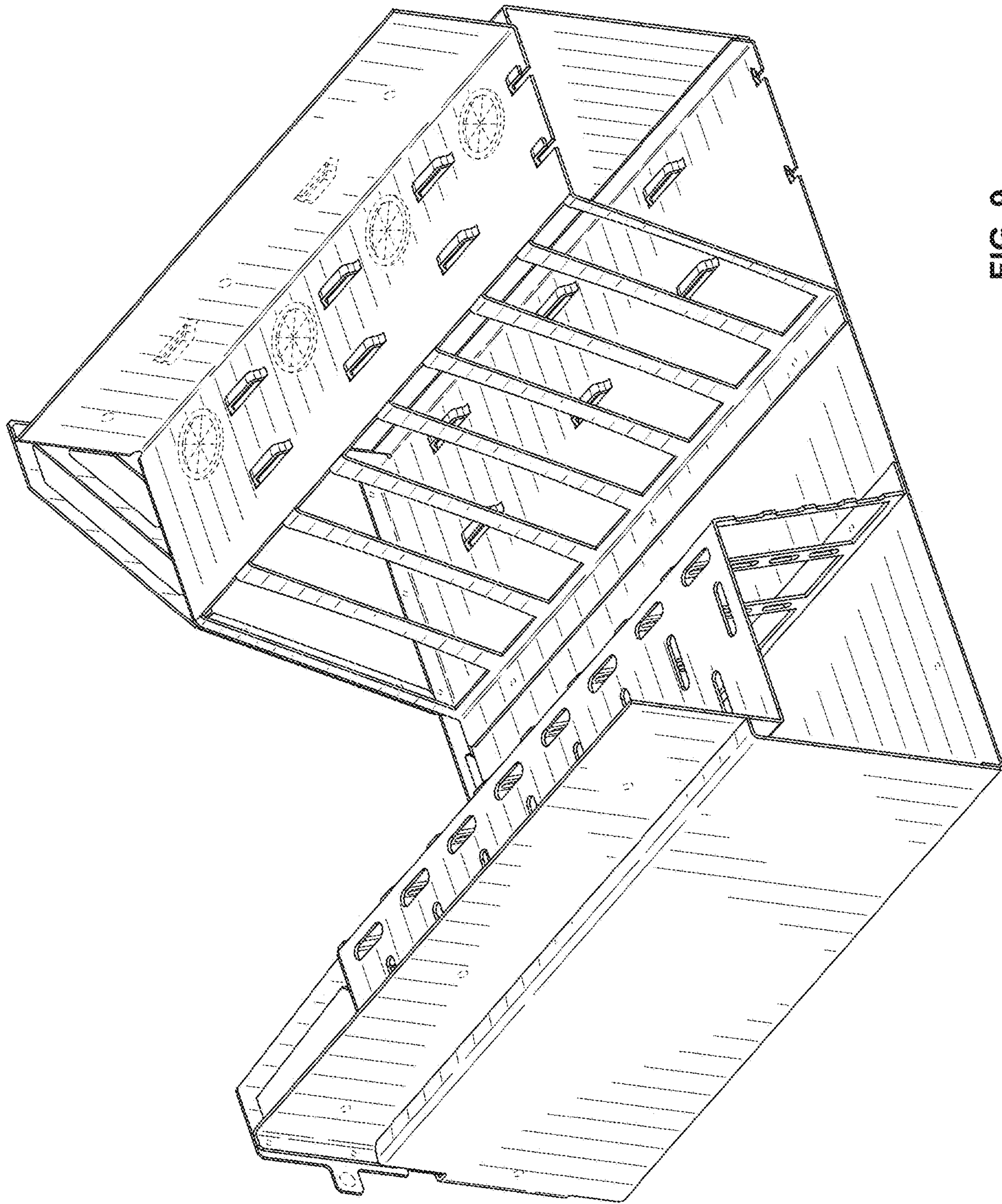


FIG. 9

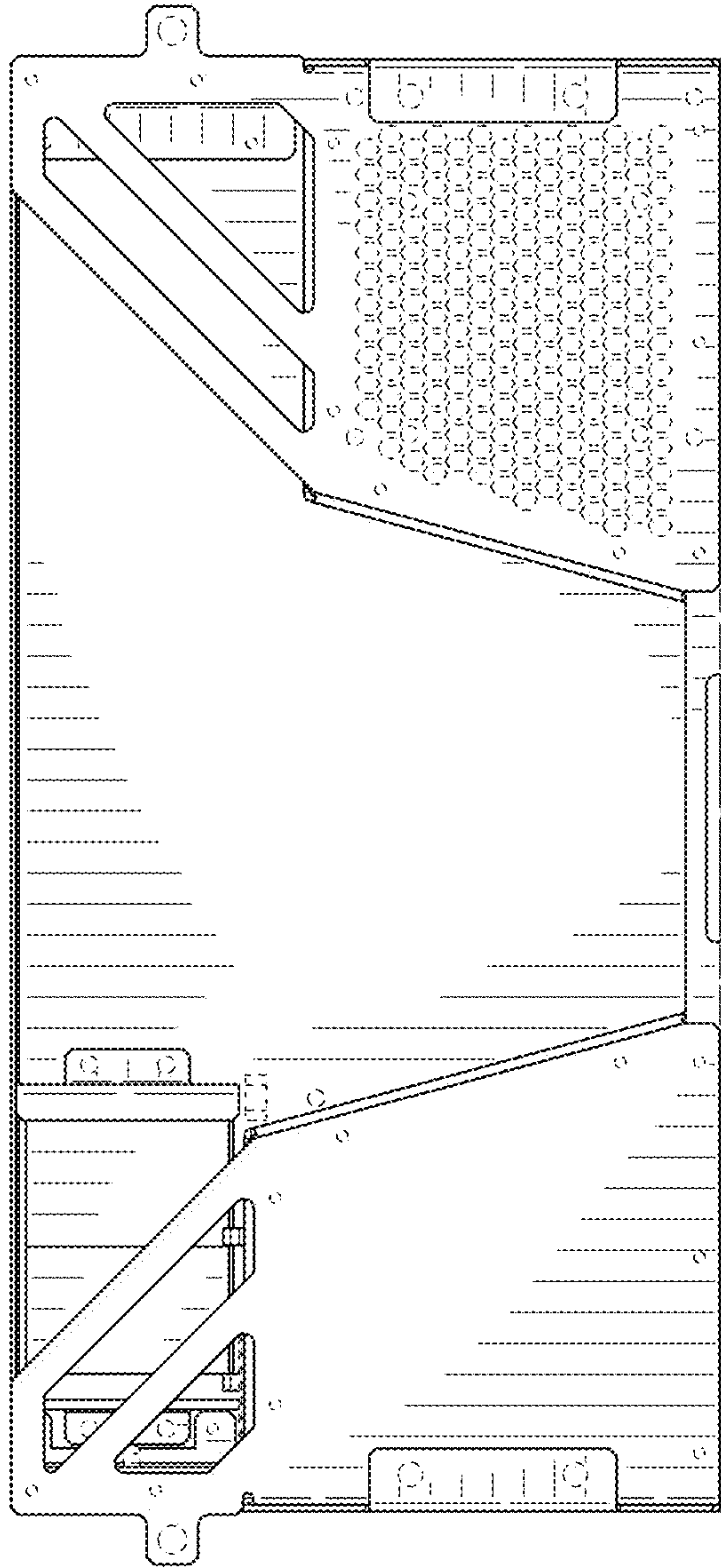


FIG. 10

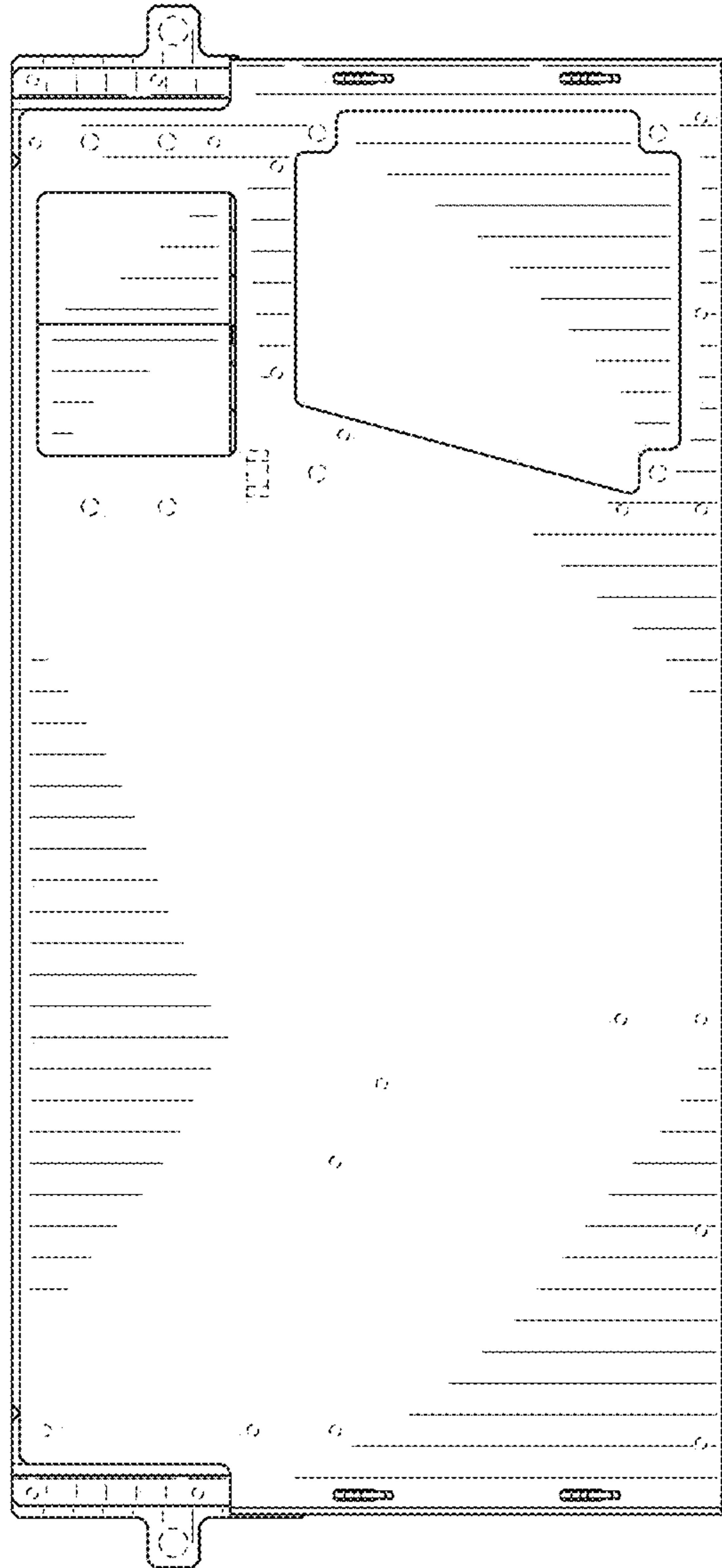


FIG. 11

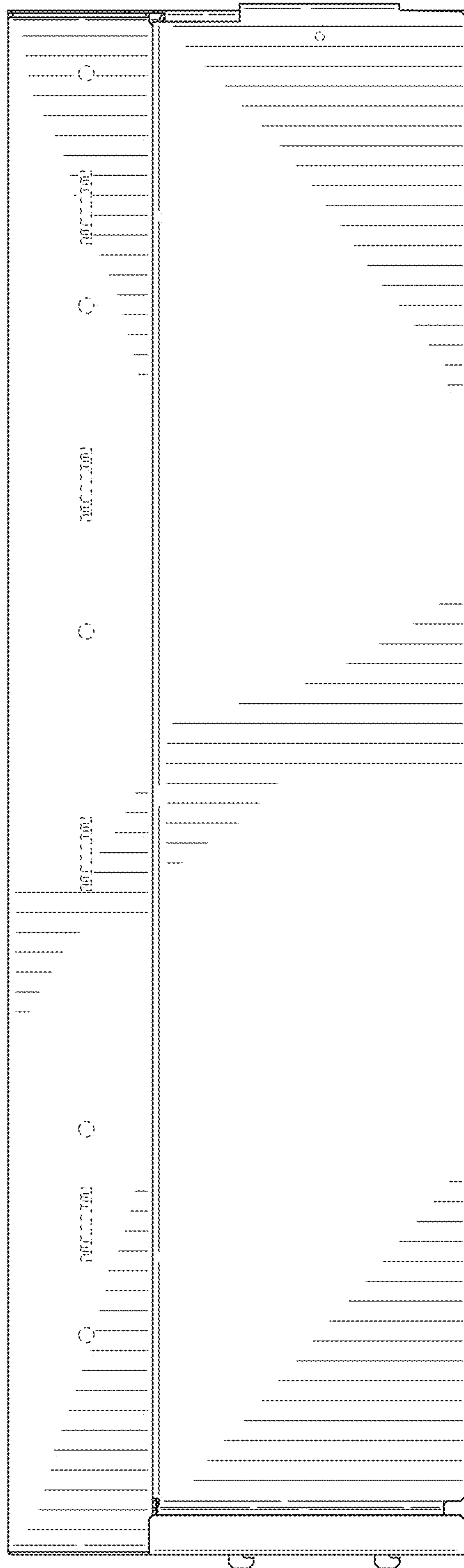


FIG. 12

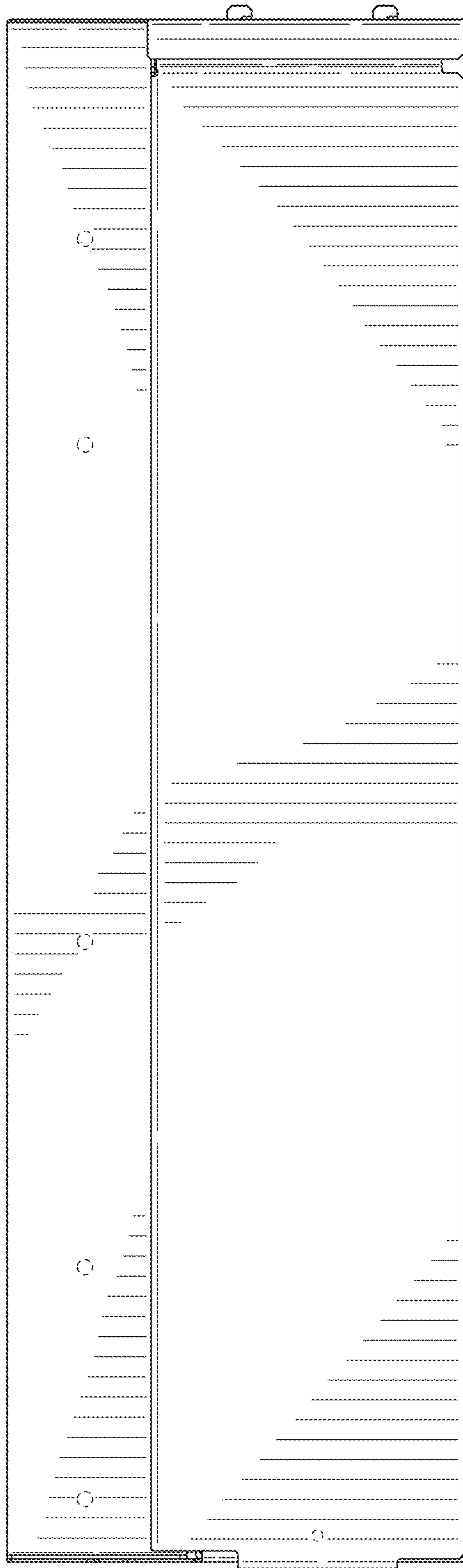


FIG. 13

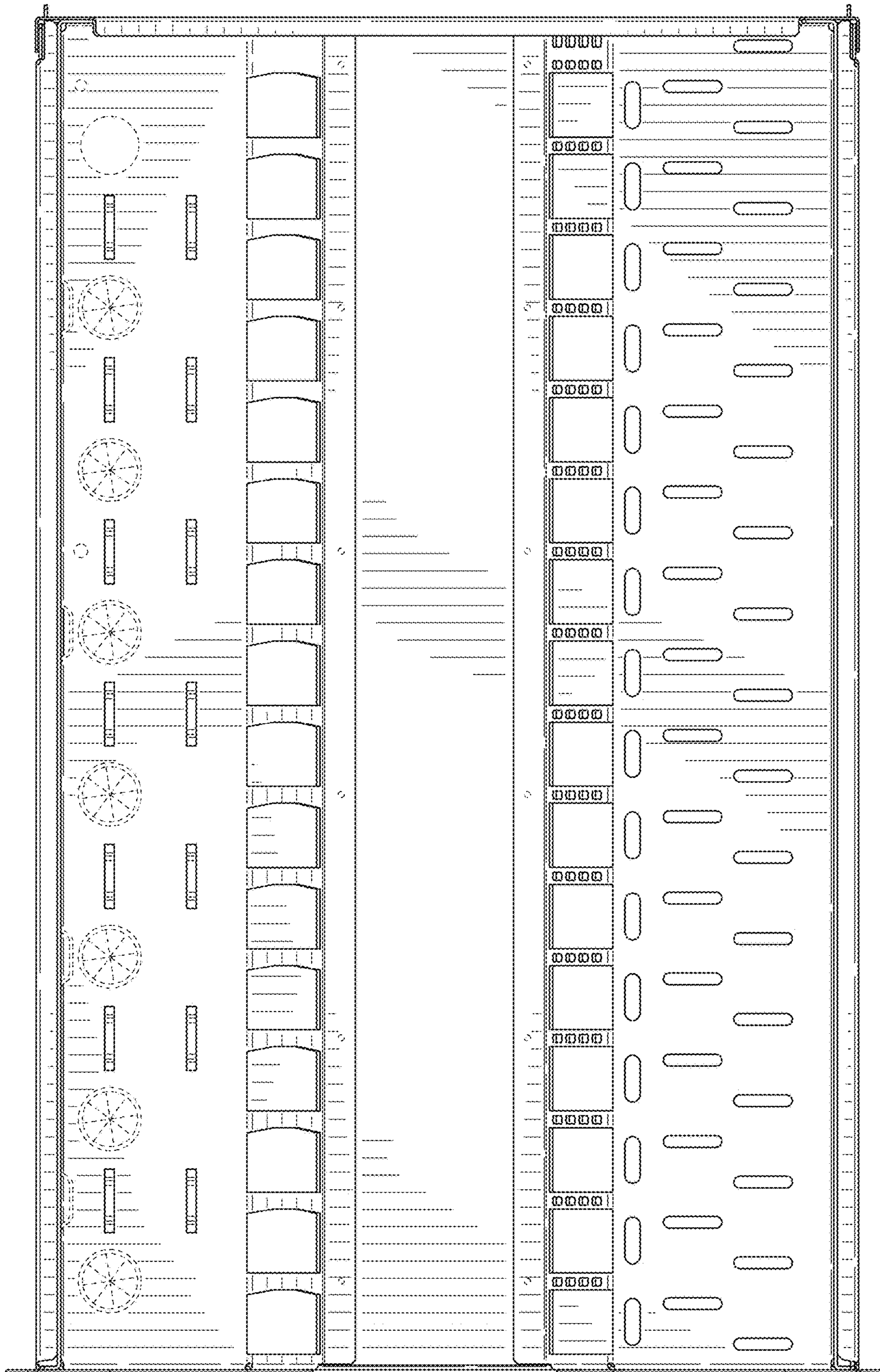


FIG. 14

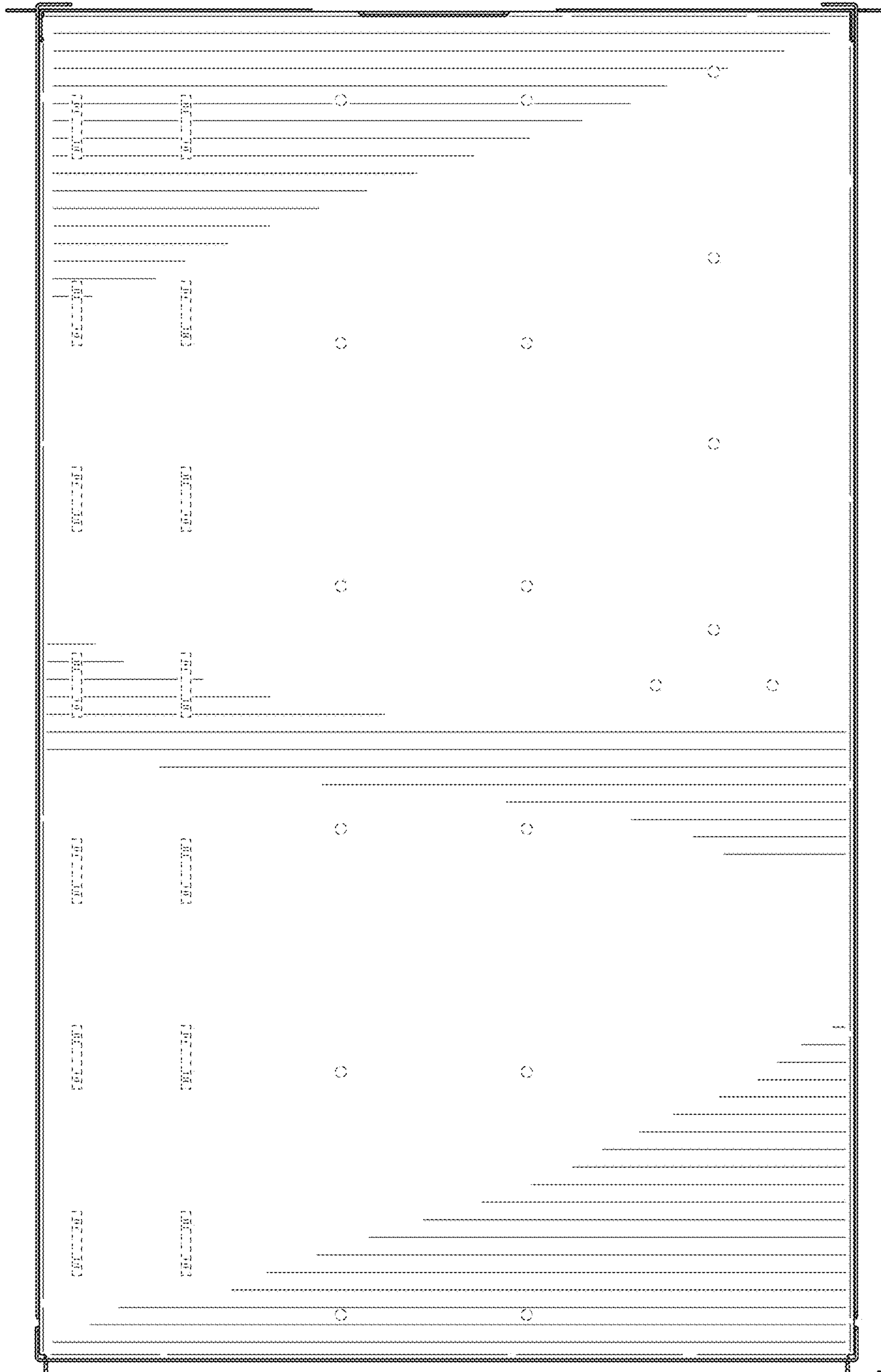


FIG. 15

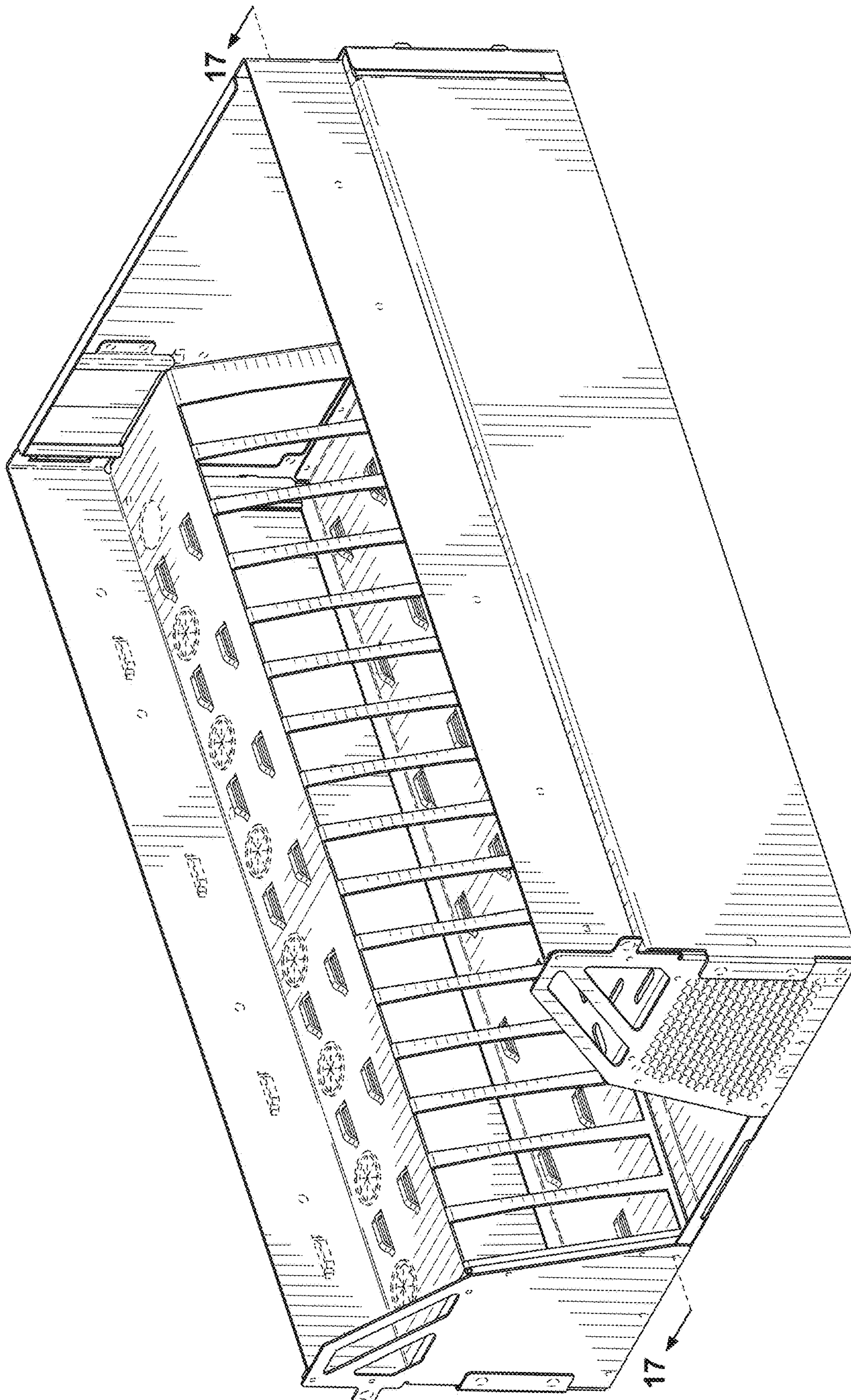


FIG. 16

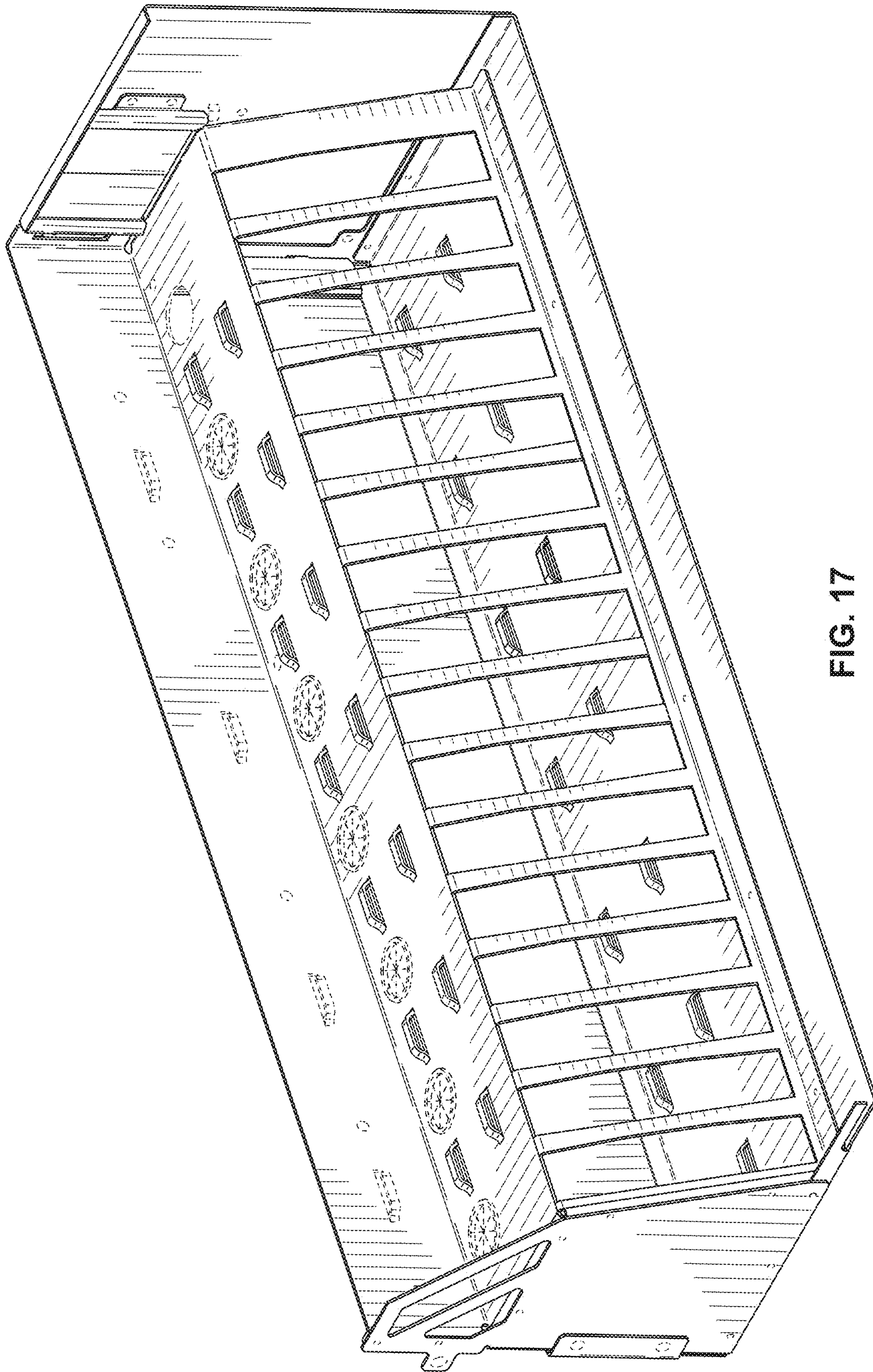


FIG. 17

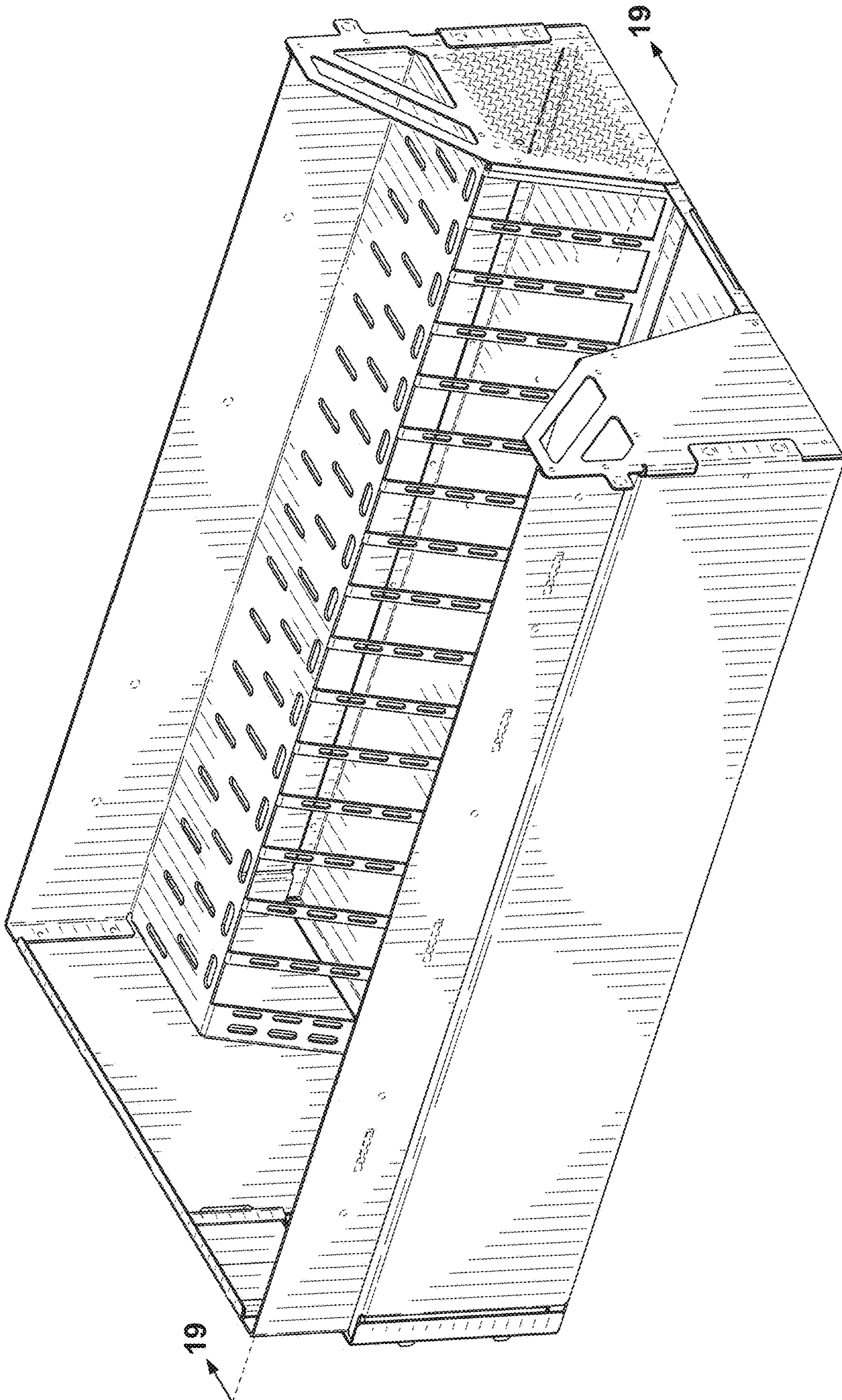


FIG. 18

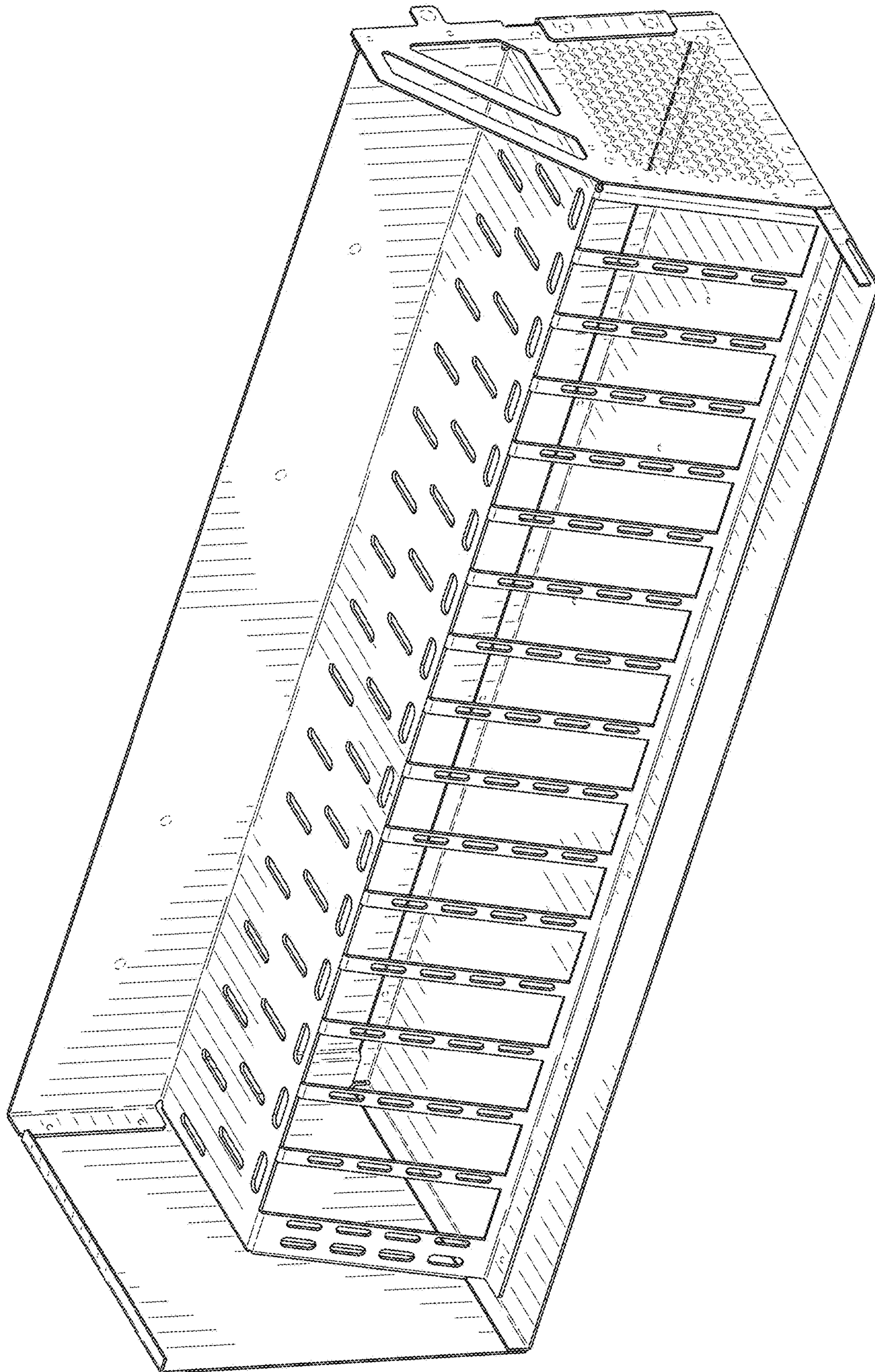


FIG. 19

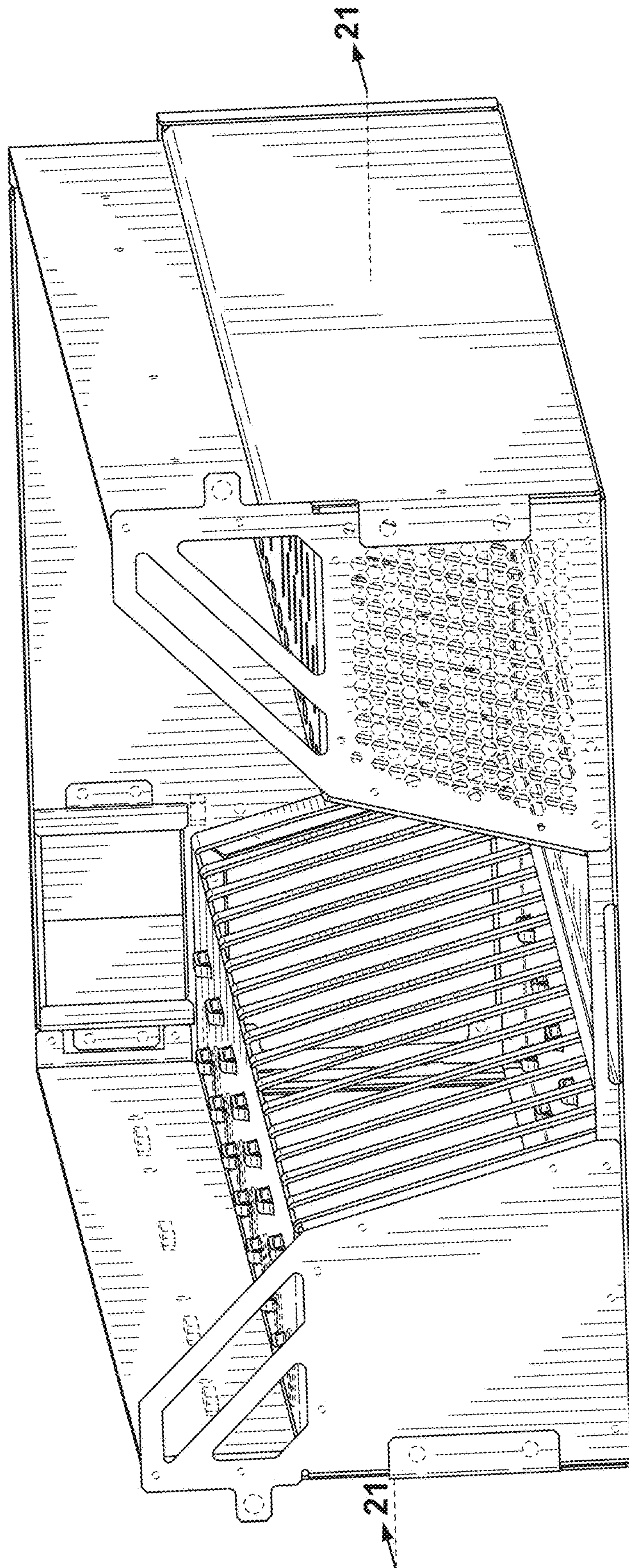


FIG. 20

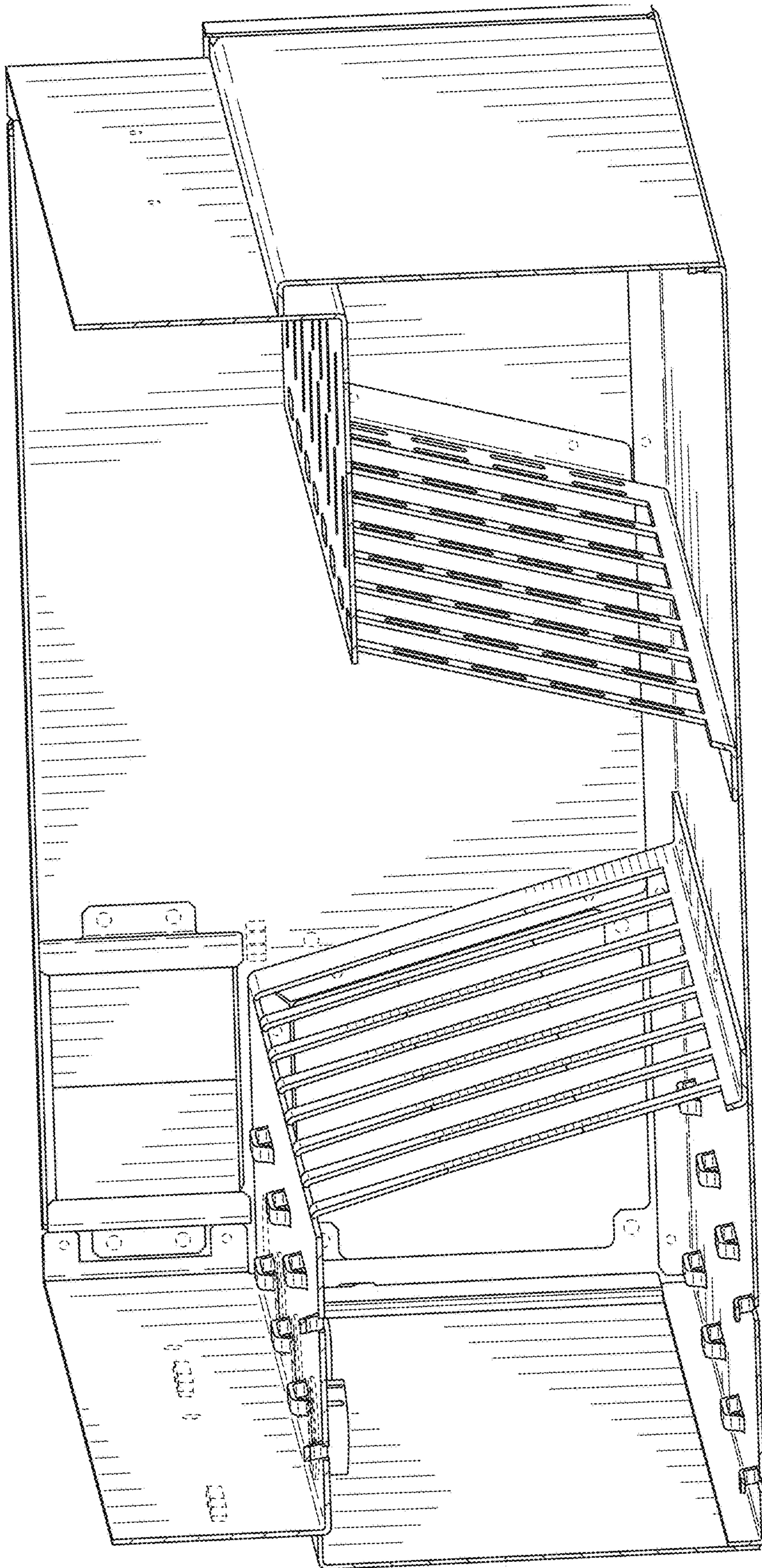


FIG. 21