



US00D914664S

(12) **United States Design Patent**
Lin

(10) **Patent No.:** **US D914,664 S**
(45) **Date of Patent:** **** Mar. 30, 2021**

(54) **SUPPORT FOR MOBILE PHONES AND TABLETS**

D829,203 S * 9/2018 Chen D14/253
D840,995 S * 2/2019 Balmer D14/253
D854,006 S * 7/2019 Wang D14/253

(71) Applicant: **EHOMA INDUSTRIAL CORPORATION**, Taichung (TW)

* cited by examiner

(72) Inventor: **Hsin-Yi Lin**, Taichung (TW)

Primary Examiner — Janice Hallmark

(73) Assignee: **EHOMA INDUSTRIAL CORPORATION**, Taichung (TW)

(74) *Attorney, Agent, or Firm* — Muncy, Geissler, Olds & Lowe, P.C.

(**) Term: **15 Years**

(57) **CLAIM**

The ornamental design for a support for mobile phones and tablets, as shown and described.

(21) Appl. No.: **29/696,783**

DESCRIPTION

(22) Filed: **Jul. 1, 2019**

(51) **LOC (13) Cl.** **14-03**

(52) **U.S. Cl.**
USPC **D14/253; D4/447**

(58) **Field of Classification Search**
USPC D14/251–253, 447, 452, 432–434, 440;
D12/415; D3/218; D8/349, 363
CPC H04M 1/02; H04M 1/04; B60R 11/02;
F16M 11/00; F16M 11/04; F16M 11/06
See application file for complete search history.

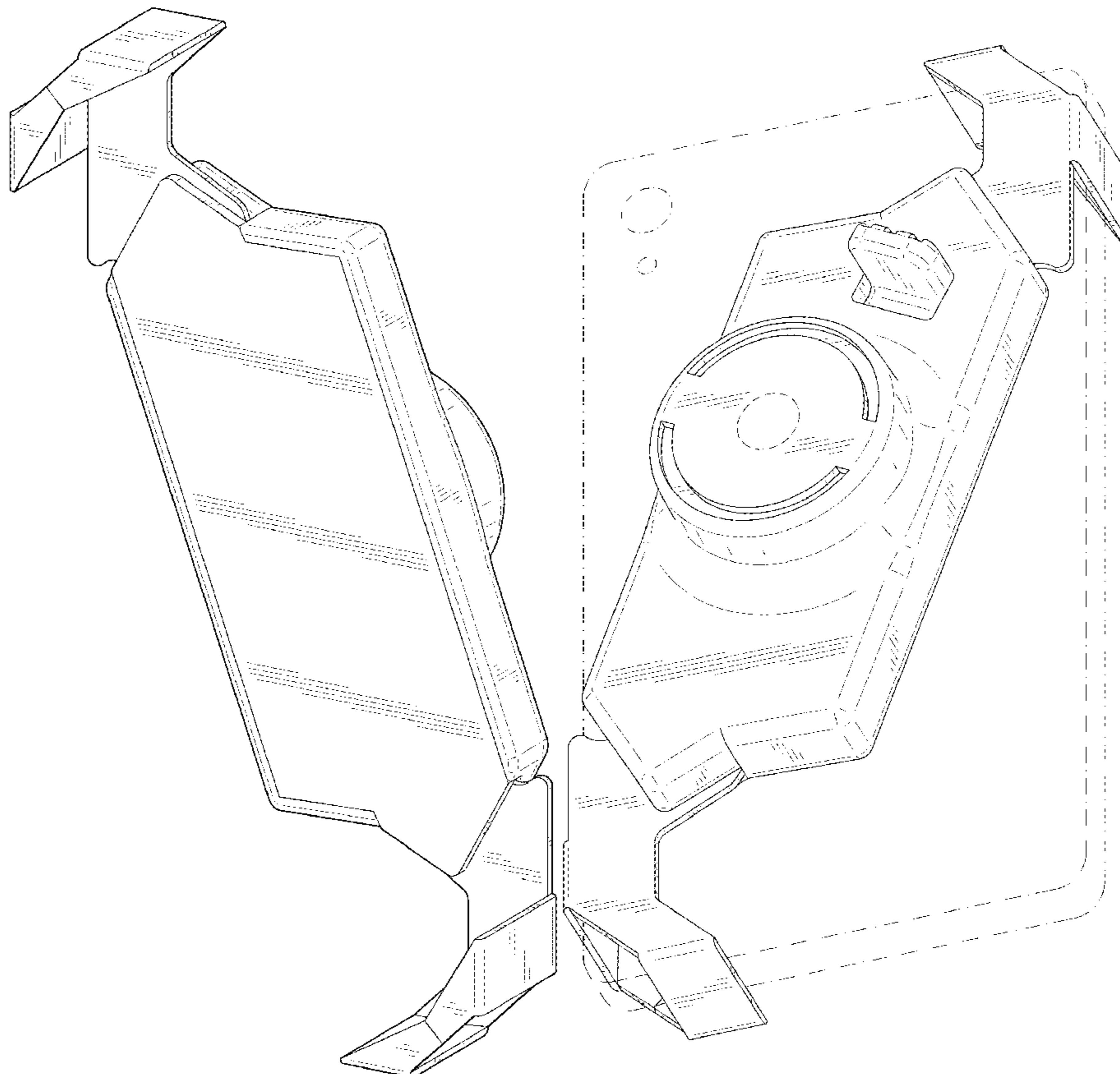
FIG. 1 is a perspective view of a support for mobile phones and tablets showing my new design;
FIG. 2 is a front elevational view thereof;
FIG. 3 is a rear elevational view thereof;
FIG. 4 is a left side elevational view thereof;
FIG. 5 is a right side elevational view thereof;
FIG. 6 is a top plan view thereof;
FIG. 7 is a bottom plan view thereof;
FIG. 8 is another perspective view thereof;
FIG. 9 is a front perspective view in a use state thereof; and,
FIG. 10 is a rear perspective view in a use state thereof.
The broken lines shown are included for the purpose of illustrating portions of the support for mobile phones and tablets and form no part of the claimed design. The dash-dot-dash broken lines in FIG. 9 and FIG. 10 depict environmental subject matter and form no part of the claimed design.

(56) **References Cited**

U.S. PATENT DOCUMENTS

D815,104 S * 4/2018 Bertelle D14/447
9,975,497 B2 * 5/2018 Kim F16M 11/041

1 Claim, 10 Drawing Sheets



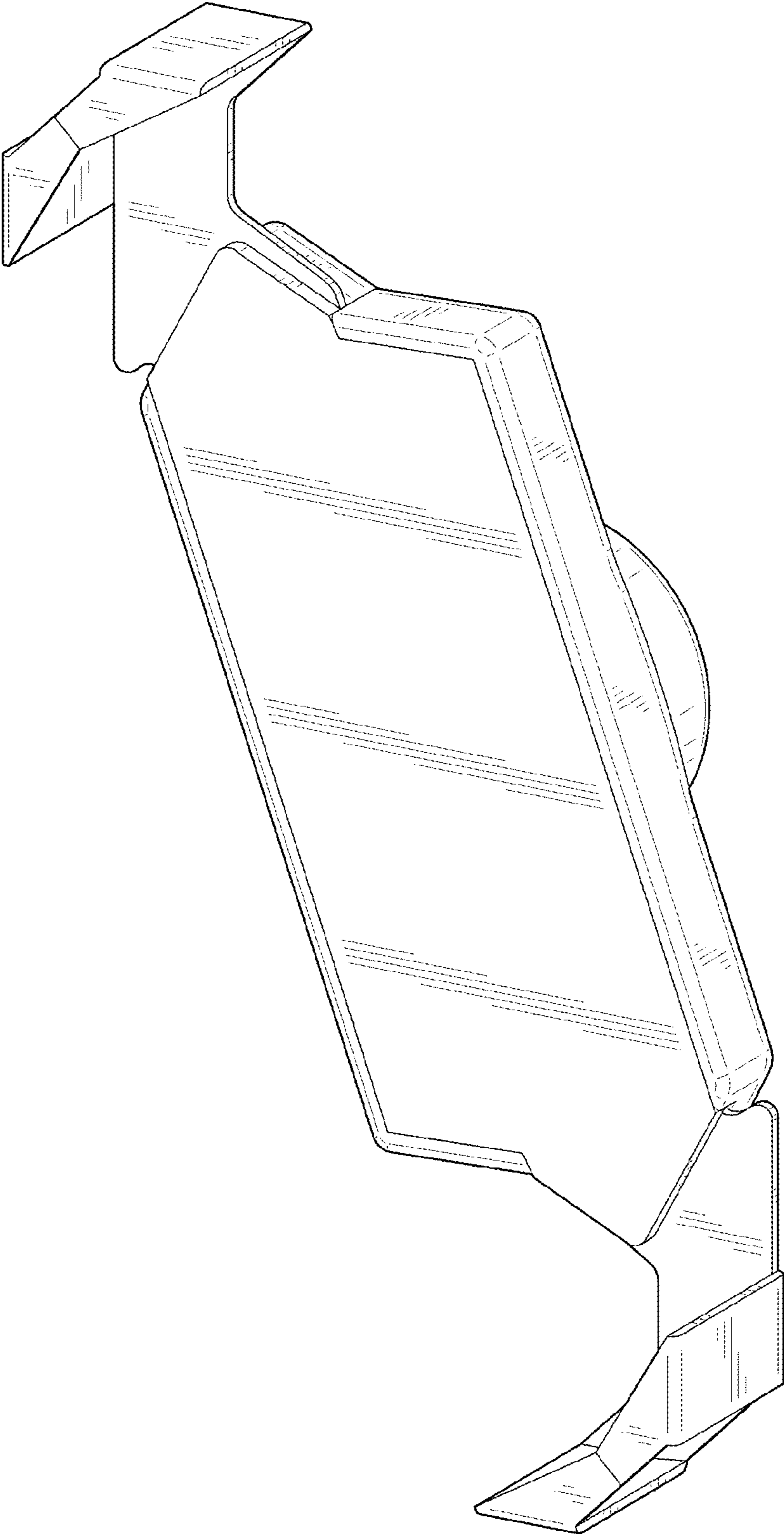


FIG. 1

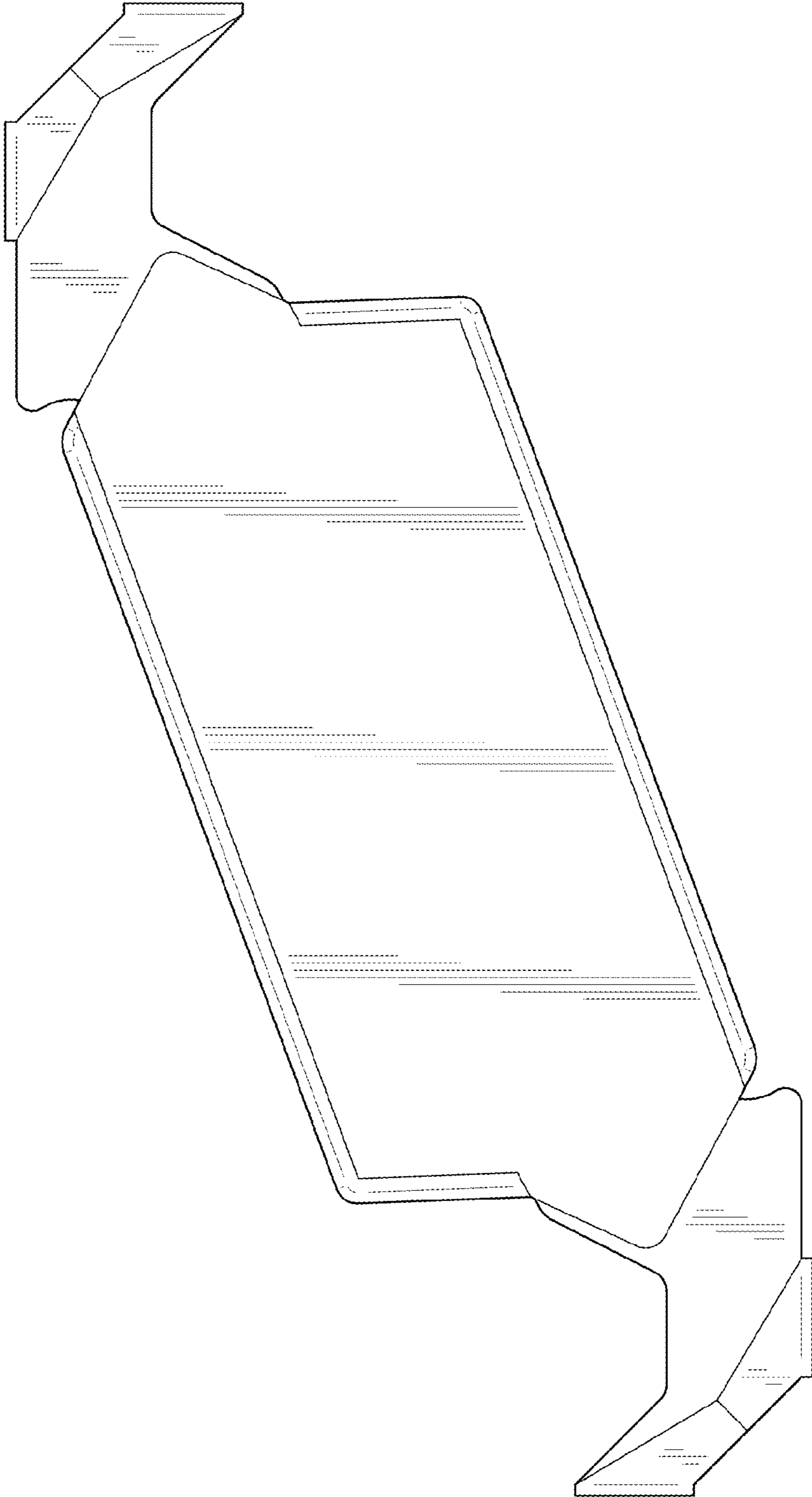


FIG. 2

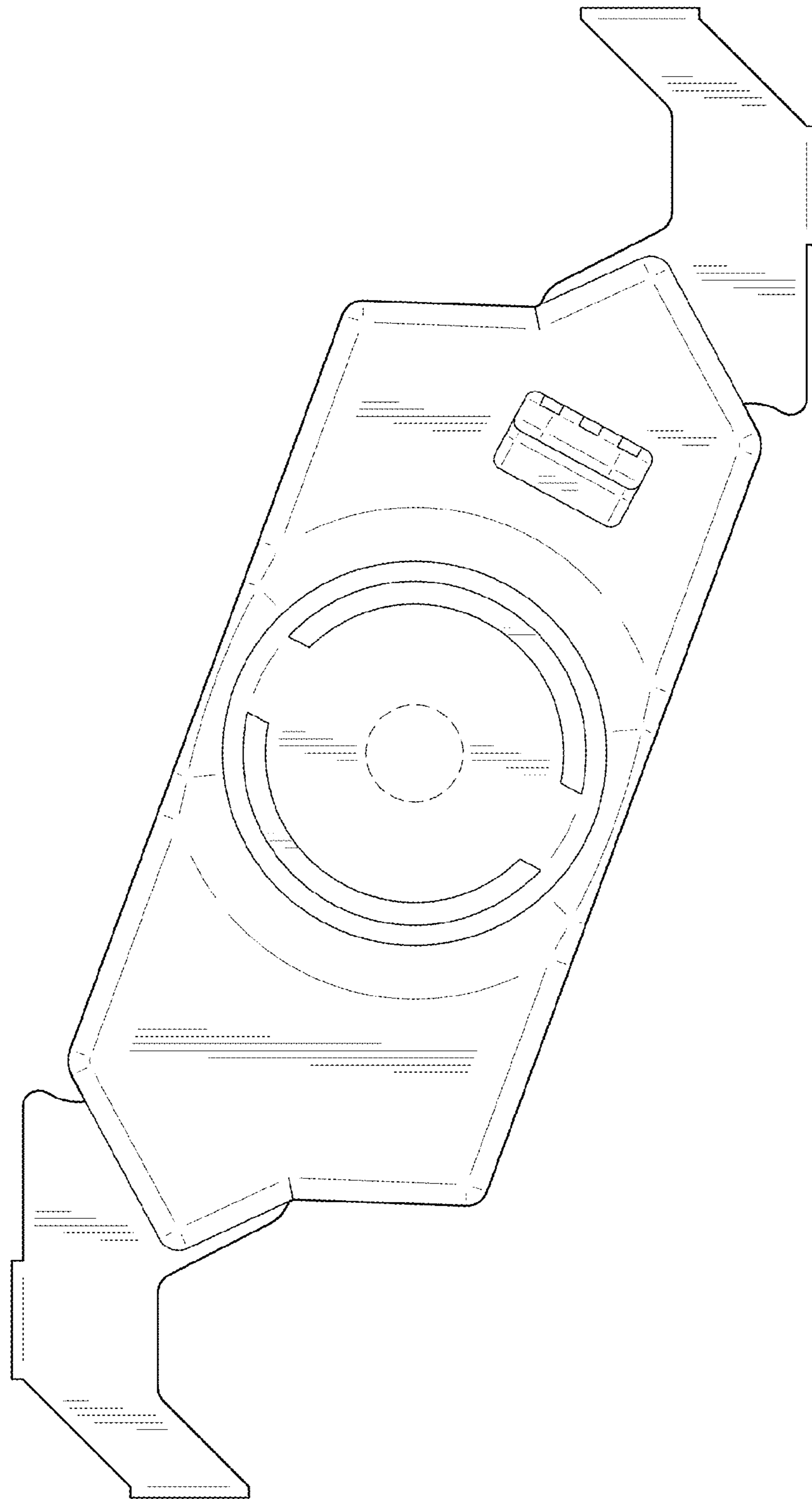


FIG. 3

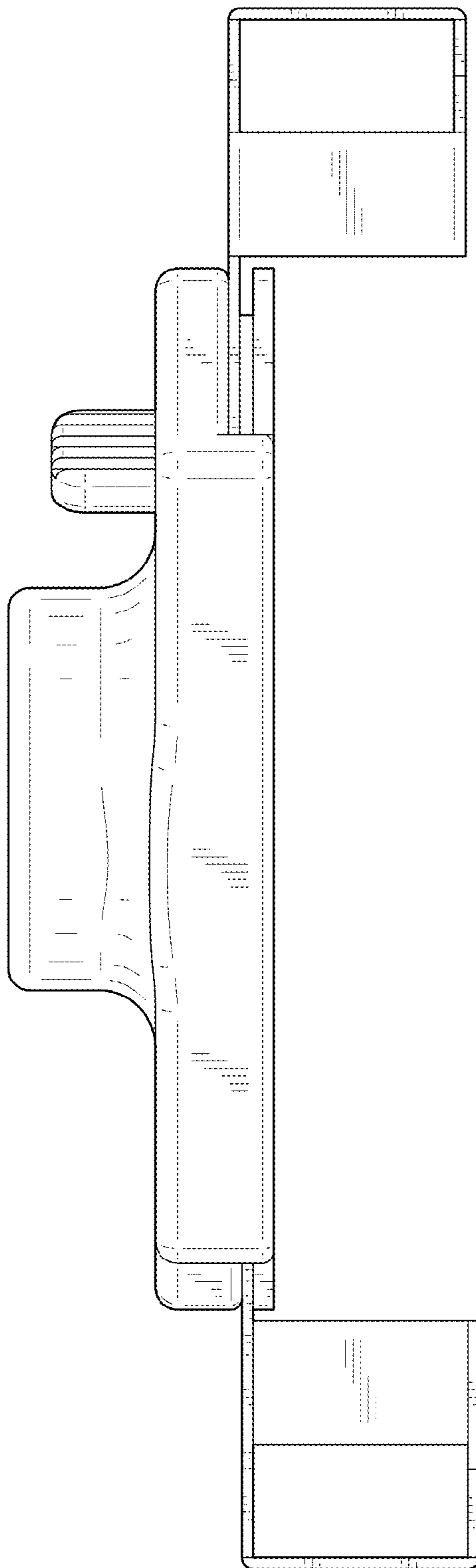


FIG. 4

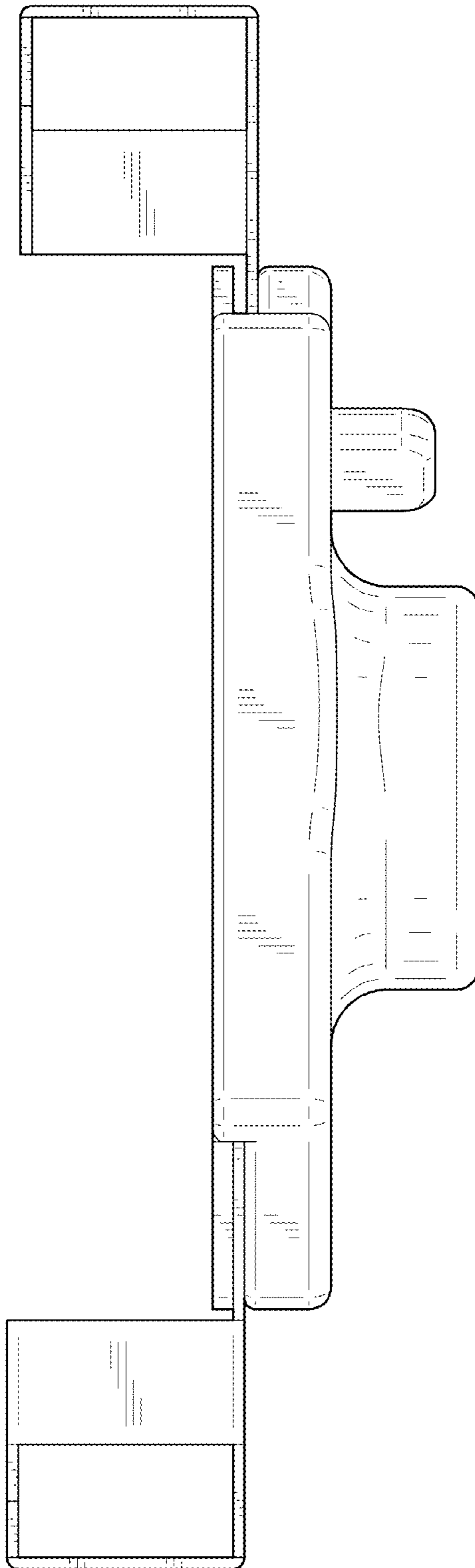


FIG. 5

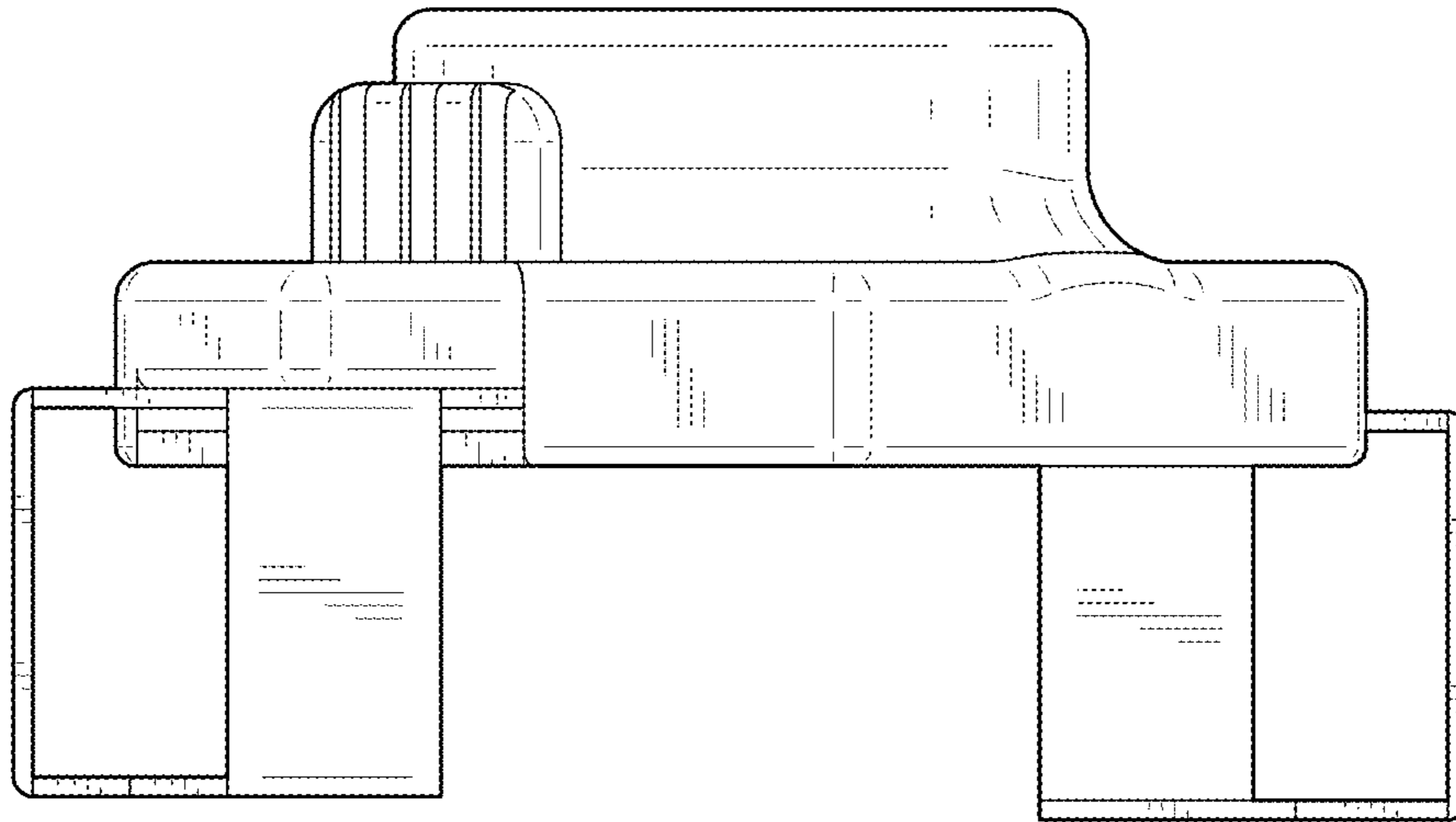


FIG. 6

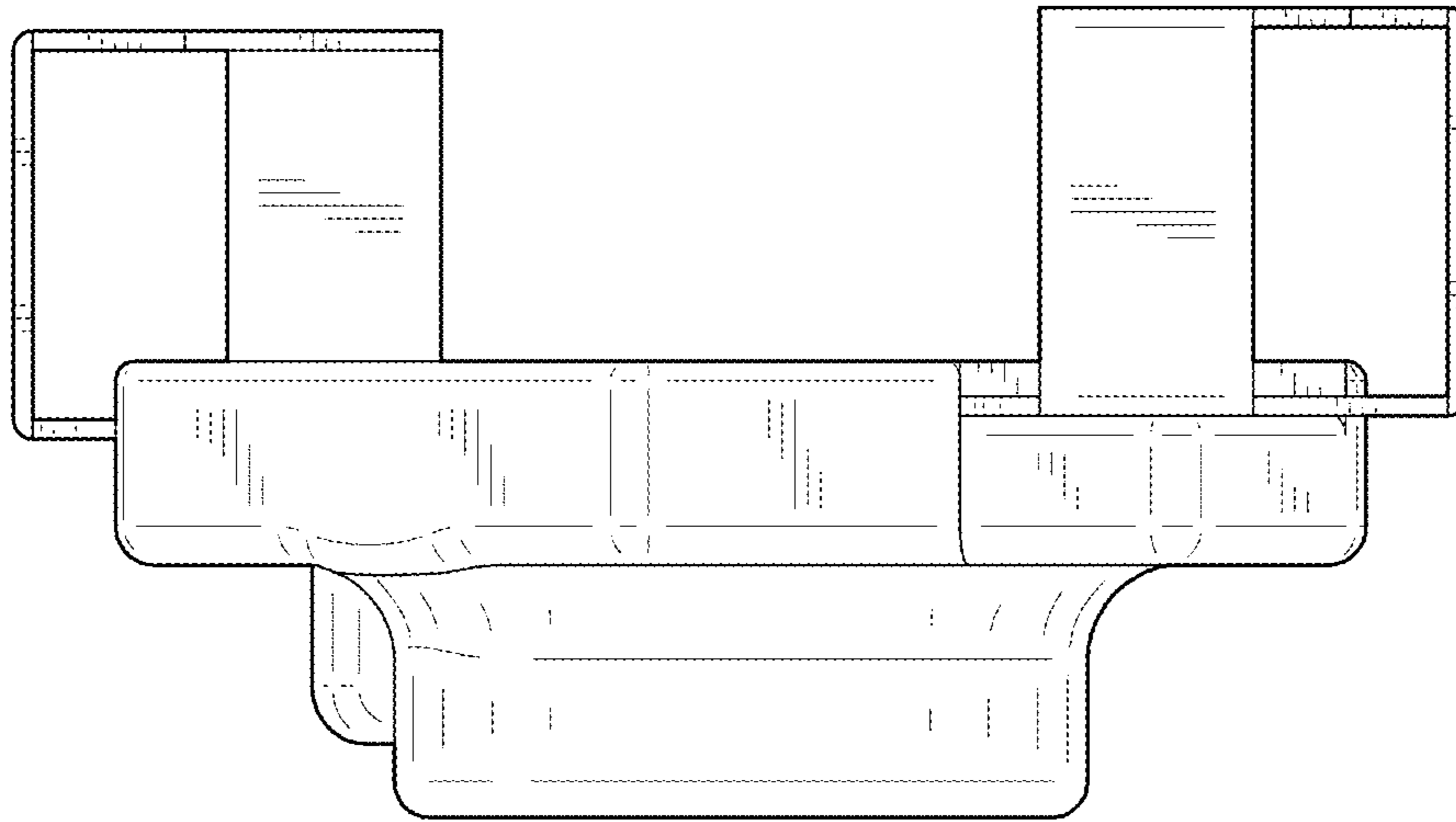


FIG. 7

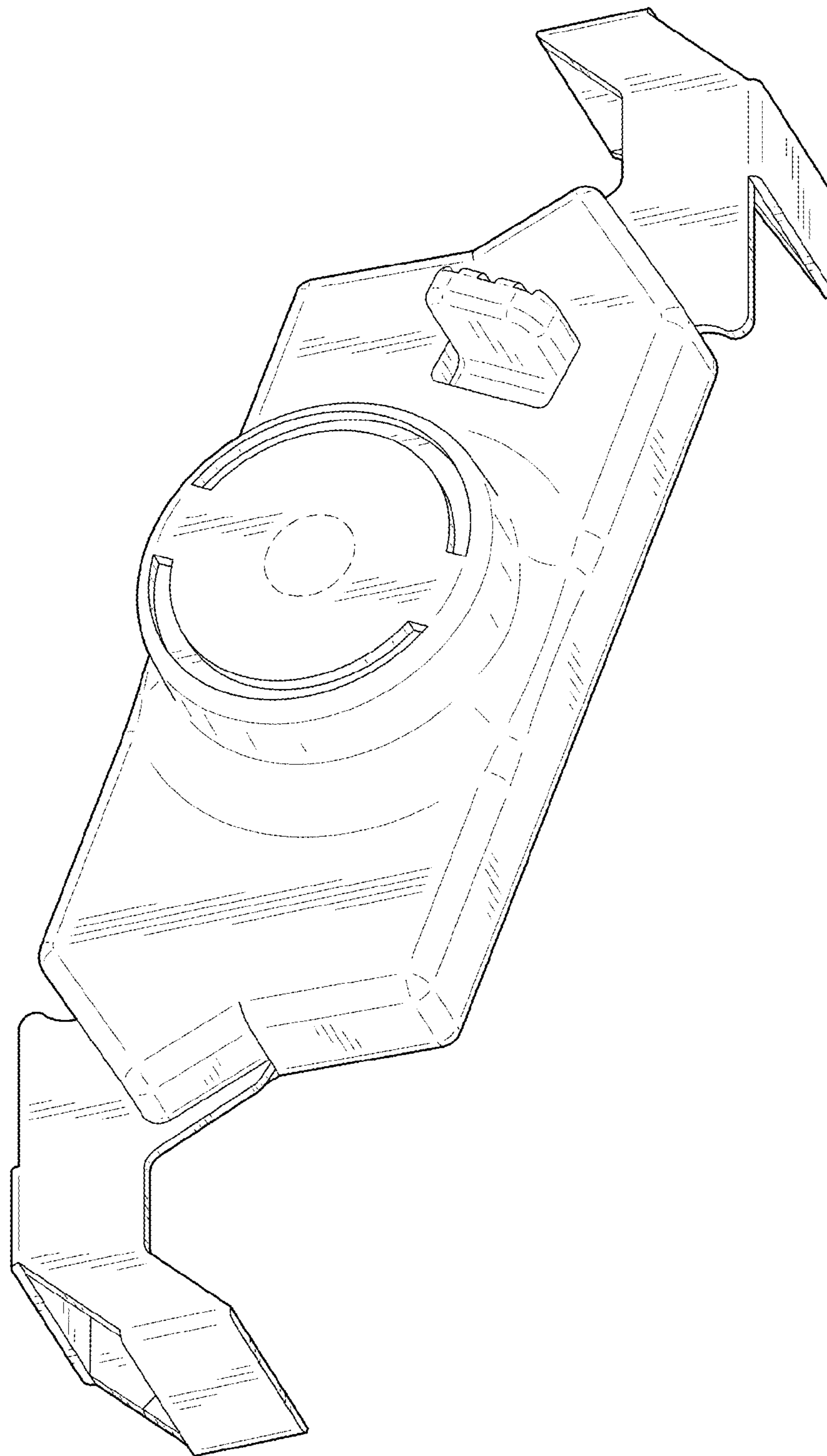


FIG. 8

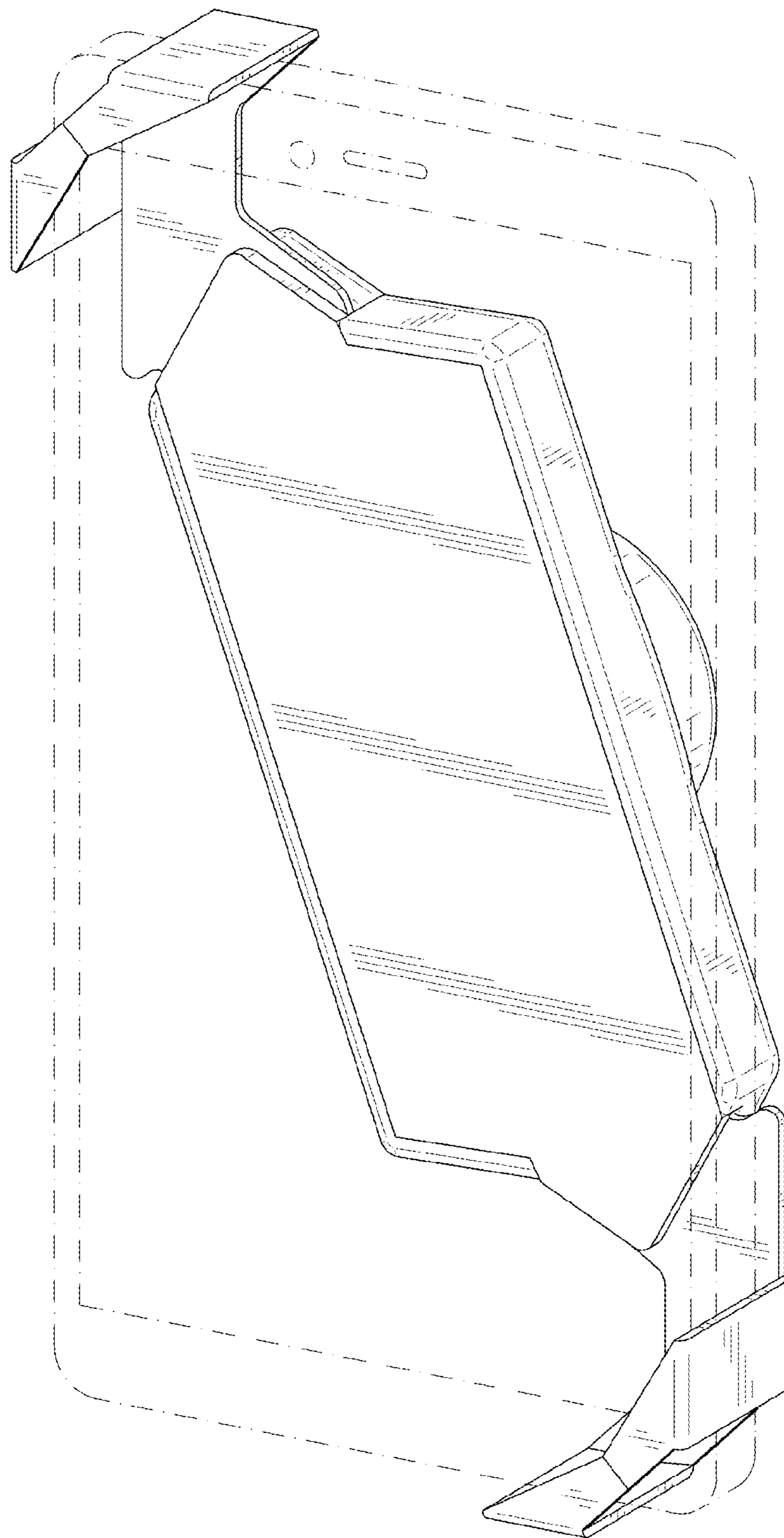


FIG. 9

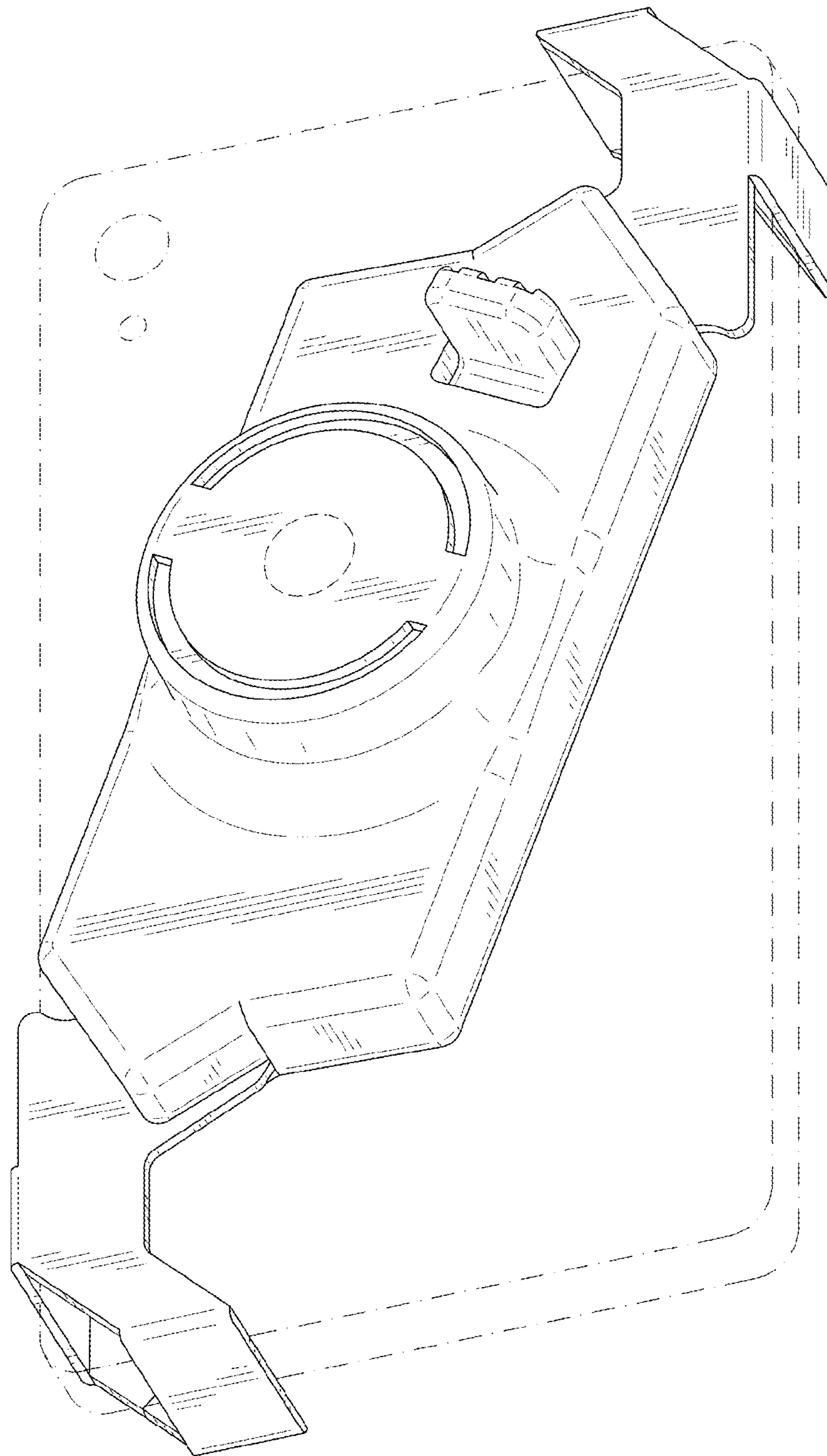


FIG. 10