

US00D914663S

(12) **United States Design Patent**
Ryu et al.

(10) **Patent No.:** **US D914,663 S**
(45) **Date of Patent:** **** Mar. 30, 2021**

- (54) **CASE FOR CELLULAR PHONE**
- (71) Applicant: **LG ELECTRONICS INC.**, Seoul (KR)
- (72) Inventors: **Hyunggon Ryu**, Seoul (KR); **Jiyoun Cha**, Seoul (KR); **Seongjae Lim**, Seoul (KR); **Seungbeom Park**, Seoul (KR)
- (73) Assignee: **LG ELECTRONICS INC.**, Seoul (KR)

- D767,888 S * 10/2016 Kim D3/249
- D791,758 S * 7/2017 Lee D14/250
- D794,008 S * 8/2017 Lee D14/250
- D794,009 S * 8/2017 Lee D14/250
- D819,007 S * 5/2018 Kim D14/250
- D822,989 S * 7/2018 Persson D3/249
- D837,195 S * 1/2019 Kaiser D14/250
- D871,066 S * 12/2019 Feng D3/249
- D879,759 S * 3/2020 Oh D14/250
- D879,764 S * 3/2020 Lee D14/250
- D891,416 S * 7/2020 Yu D14/250
- D895,594 S * 9/2020 Kim D14/250

(Continued)

(**) Term: **15 Years**

Primary Examiner — Bao-Yen T Nguyen
(74) *Attorney, Agent, or Firm* — Birch, Stewart, Kolasch & Birch, LLP

(21) Appl. No.: **35/508,413**

(22) Filed: **Jul. 25, 2019**

(57) **CLAIM**

The ornamental design for a case for cellular phone, as shown and described.

(80) **Hague Agreement Data**

Int. Filing Date: **Jul. 25, 2019**

Int. Reg. No.: **DM/204968**

Int. Reg. Date: **Jul. 25, 2019**

Int. Reg. Pub. Date: **Jan. 31, 2020**

DESCRIPTION

(51) **LOC (13) Cl.** **14-03**

(52) **U.S. Cl.**
USPC **D14/250**

(58) **Field of Classification Search**

USPC D14/250, 217, 238.1, 240, 248, 251–253, D14/439, 440, 447; D13/107, 108, 119; D3/201, 218, 247, 269, 273, 301, 303

CPC H04B 1/3888; H04M 1/0283; H04M 1/0202; A45C 1/06; A45C 11/00; A45C 13/02; A45C 2011/002; A45F 2005/026; A45F 2200/0525; A45F 2200/0516

See application file for complete search history.

- 1. Case for cellular phone
- 1.1 : Perspective
- 1.2 : Rear perspective view
- 1.3 : Front
- 1.4 : Back
- 1.5 : Left
- 1.6 : Right
- 1.7 : Top
- 1.8 : Bottom
- 1.9 : Perspective
- 1.10 : Rear perspective view
- 1.11 : Front
- 1.12 : Back
- 1.13 : Left
- 1.14 : Right
- 1.15 : Top
- 1.16 : Bottom
- 1.17 : Reference

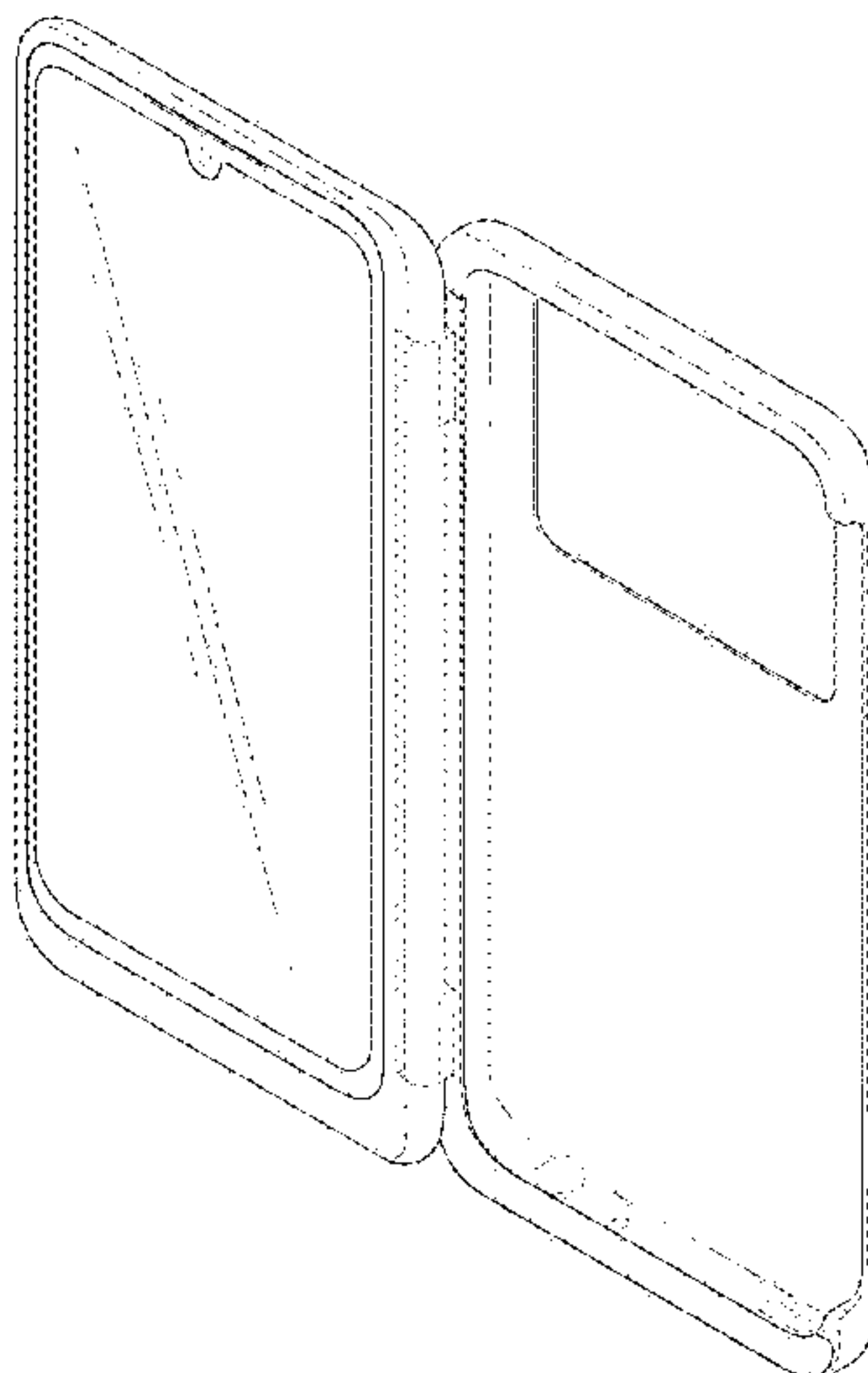
The broken lines indicate portions of the article that form no part of the claimed design.

(56) **References Cited**

U.S. PATENT DOCUMENTS

- D705,207 S * 5/2014 Kim D14/250
- D710,838 S * 8/2014 Song D14/250
- D751,539 S * 3/2016 Ahn D14/250

1 Claim, 17 Drawing Sheets



(56)

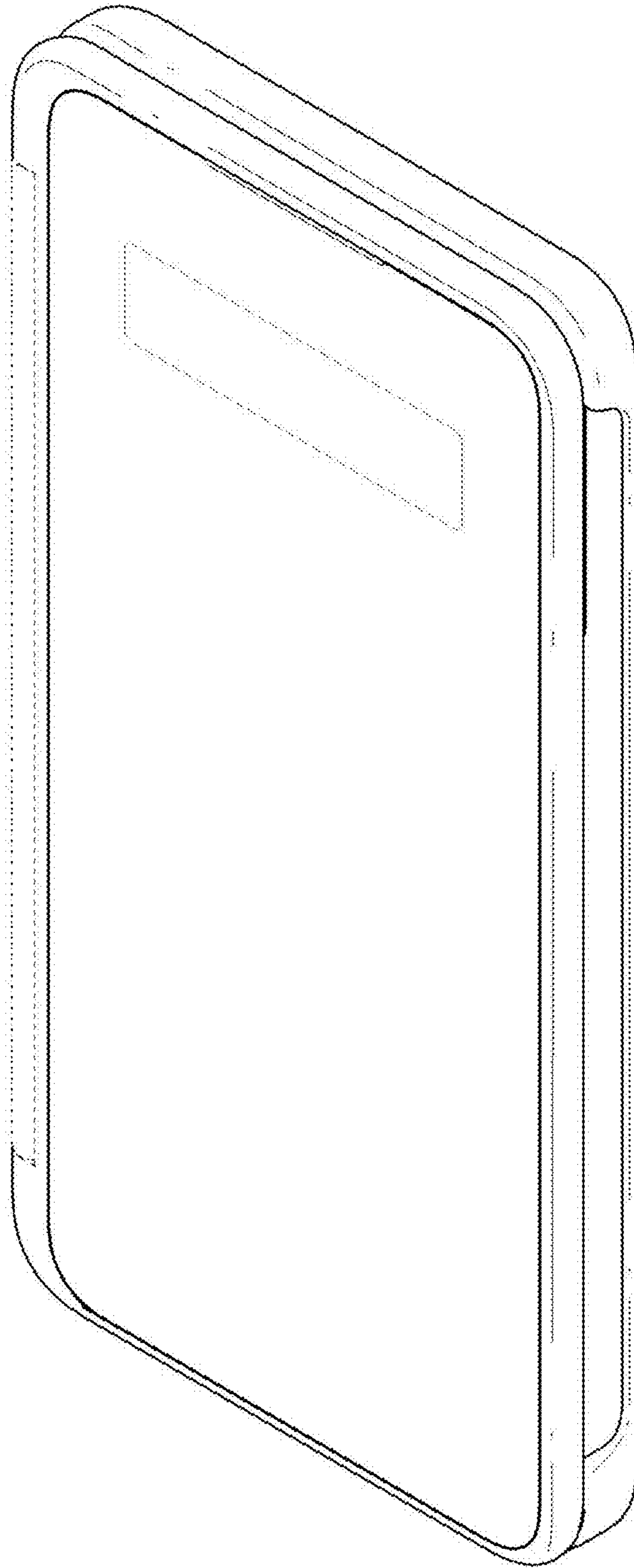
References Cited

U.S. PATENT DOCUMENTS

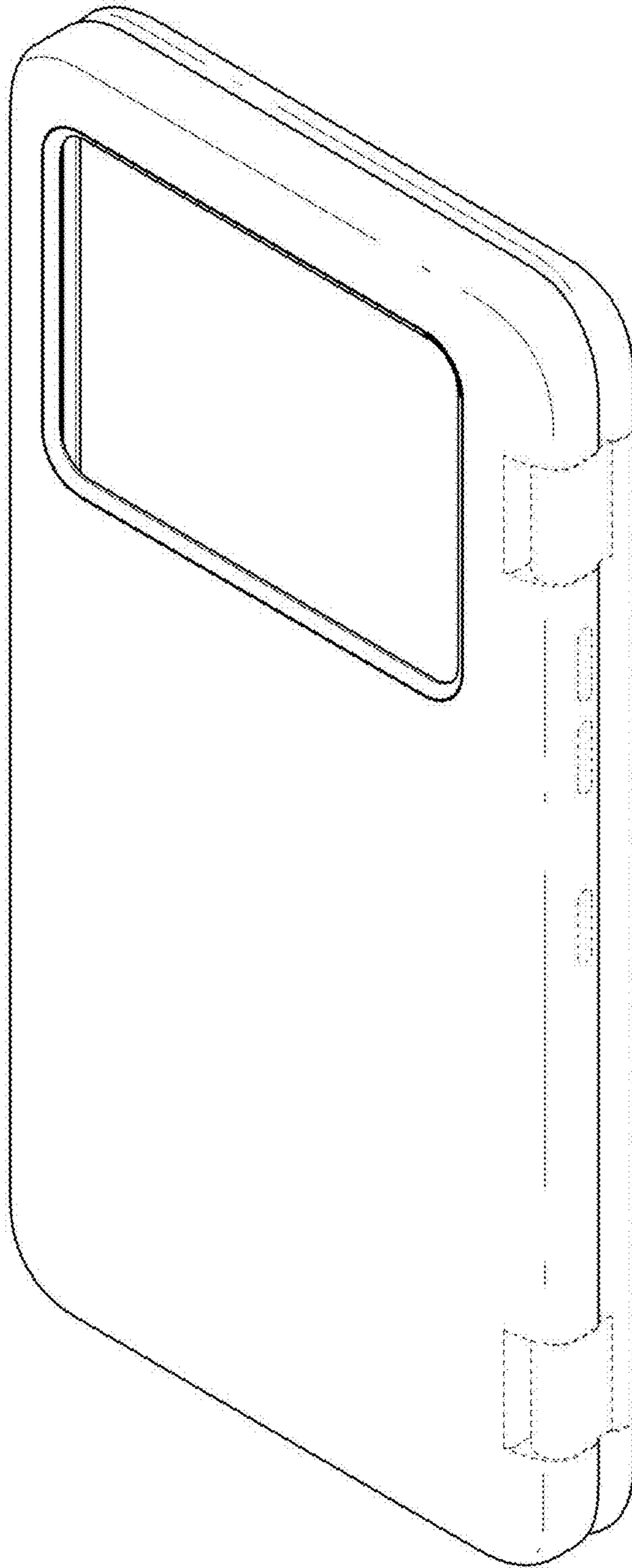
D895,599	S *	9/2020	Zhao	D14/250
D899,412	S *	10/2020	Lee	D14/250
D900,800	S *	11/2020	Sirju	D14/250
D900,801	S *	11/2020	Zhang	D14/250
2003/0150756	A1 *	8/2003	Kajiya	A45C 13/02 206/320
2008/0053851	A1 *	3/2008	Ko	G06F 1/1628 206/320
2008/0251512	A1 *	10/2008	Griffin	A45C 11/00 220/4.02
2014/0262934	A1 *	9/2014	Fathollahi	A45C 11/182 206/774
2015/0155903	A1 *	6/2015	Jang	H04M 1/04 455/575.8

* cited by examiner

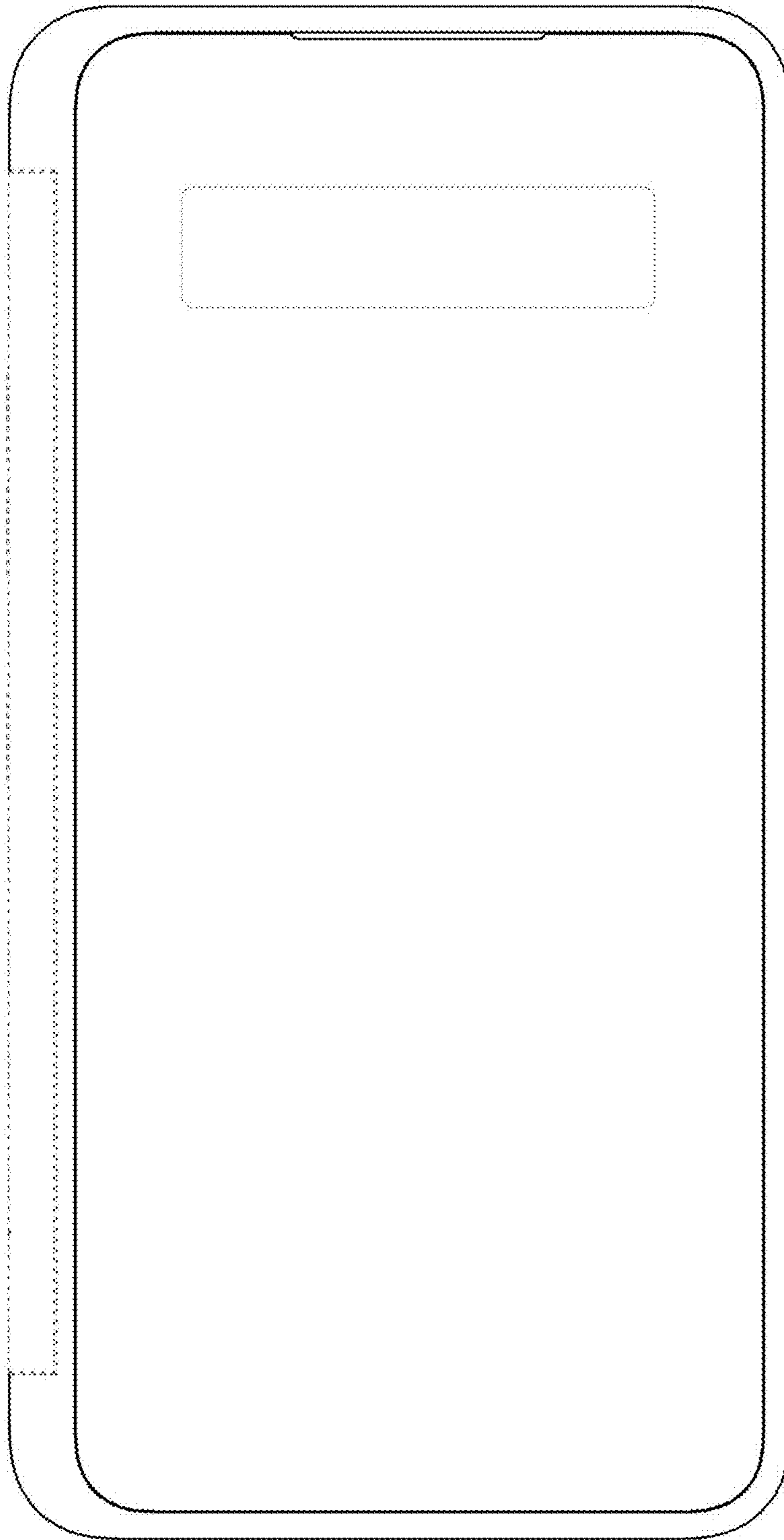
1.1



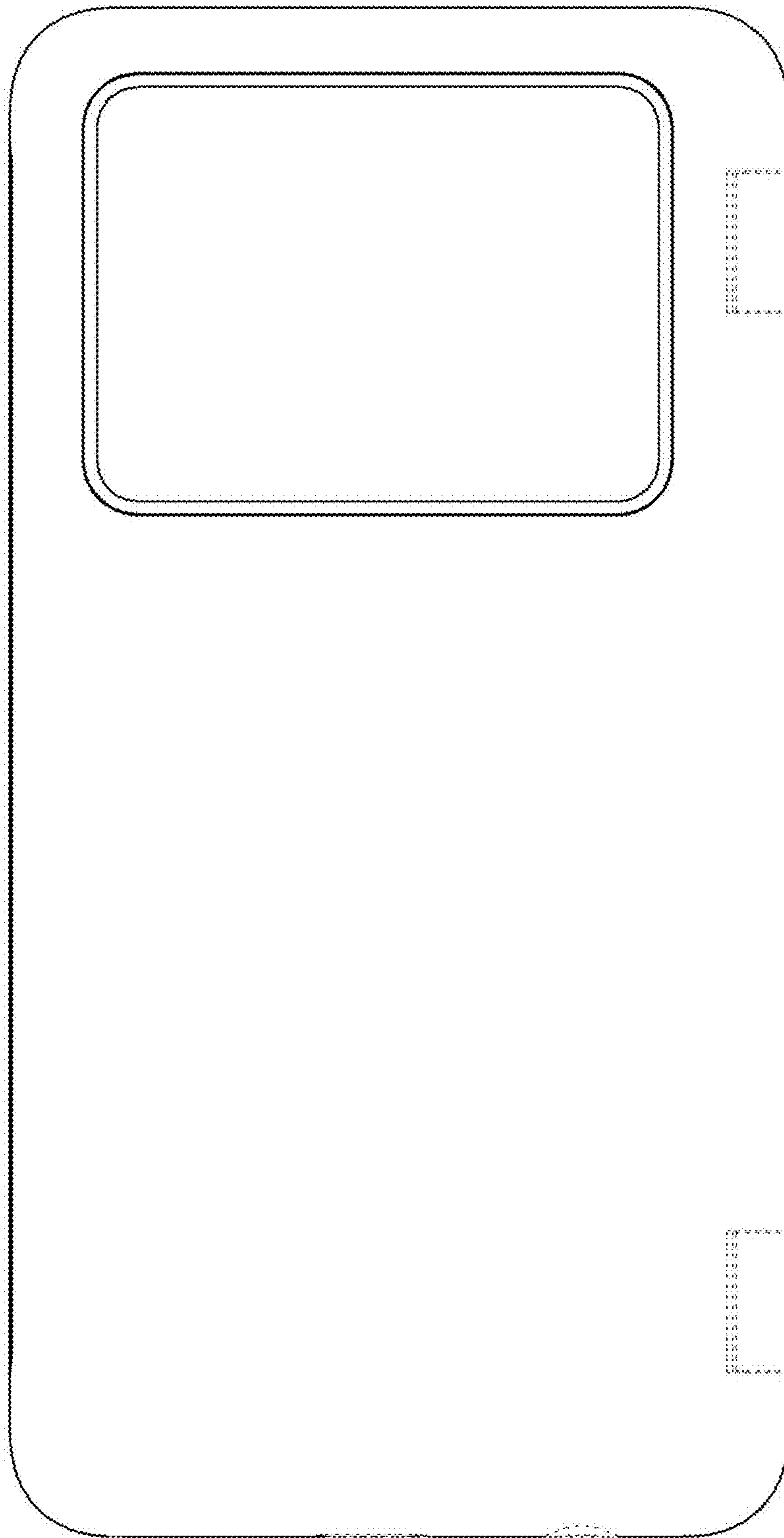
1.2



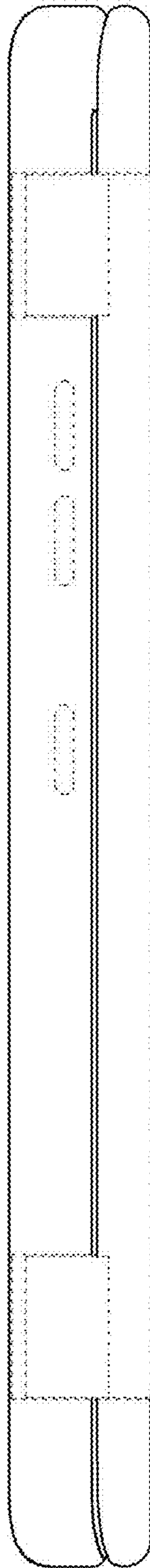
1.3



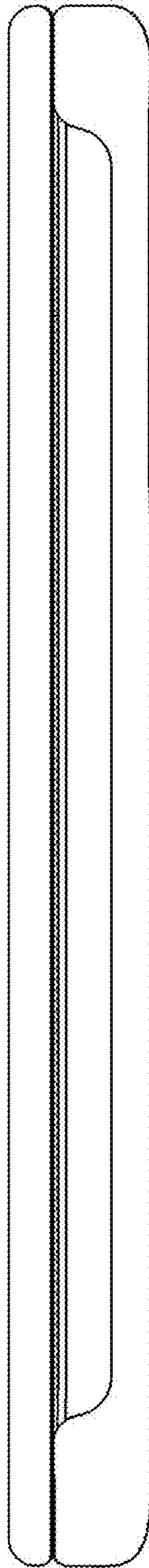
1.4



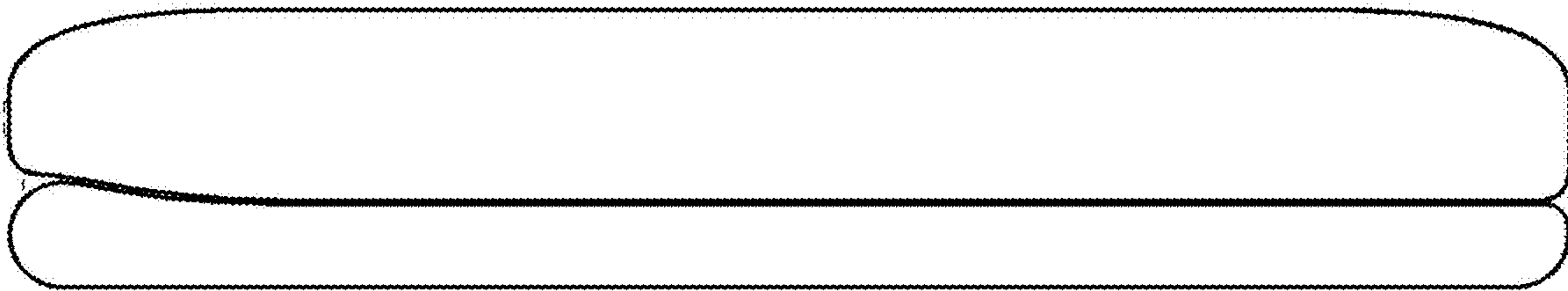
1.5



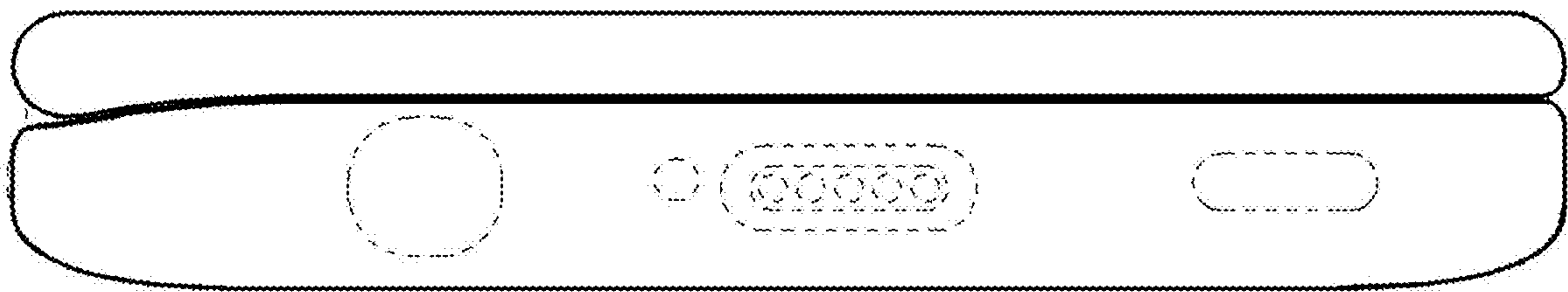
1.6



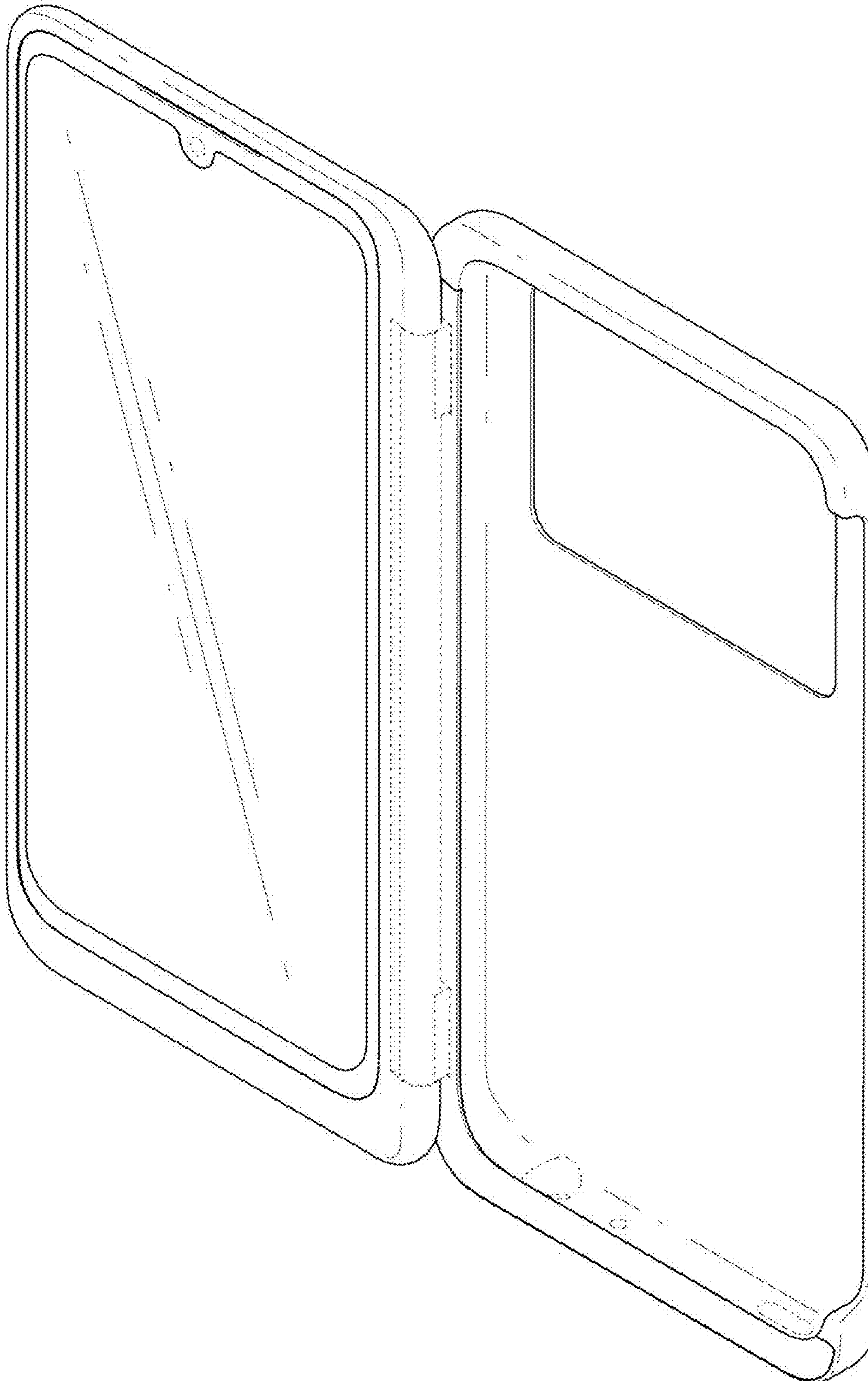
1.7



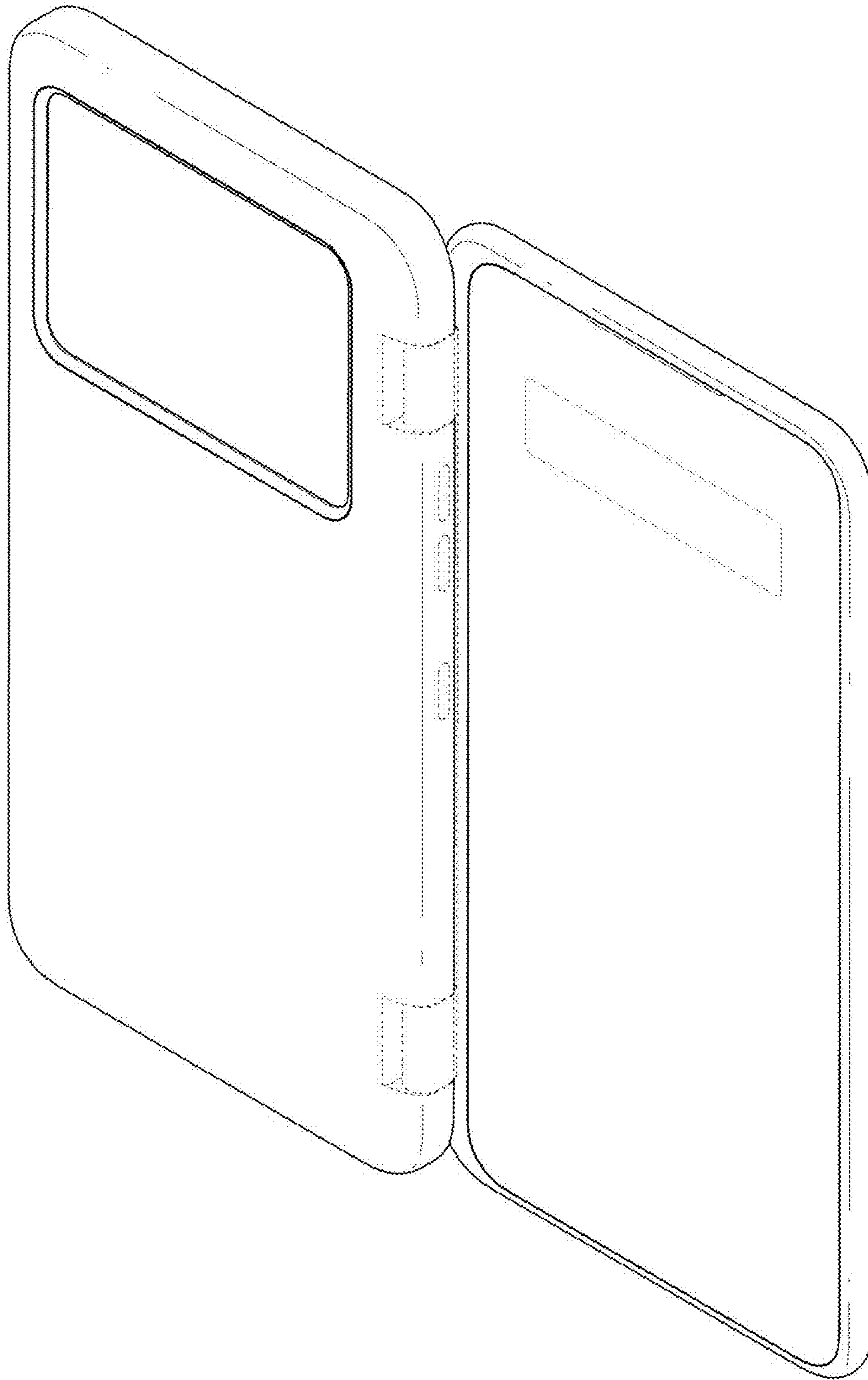
1.8



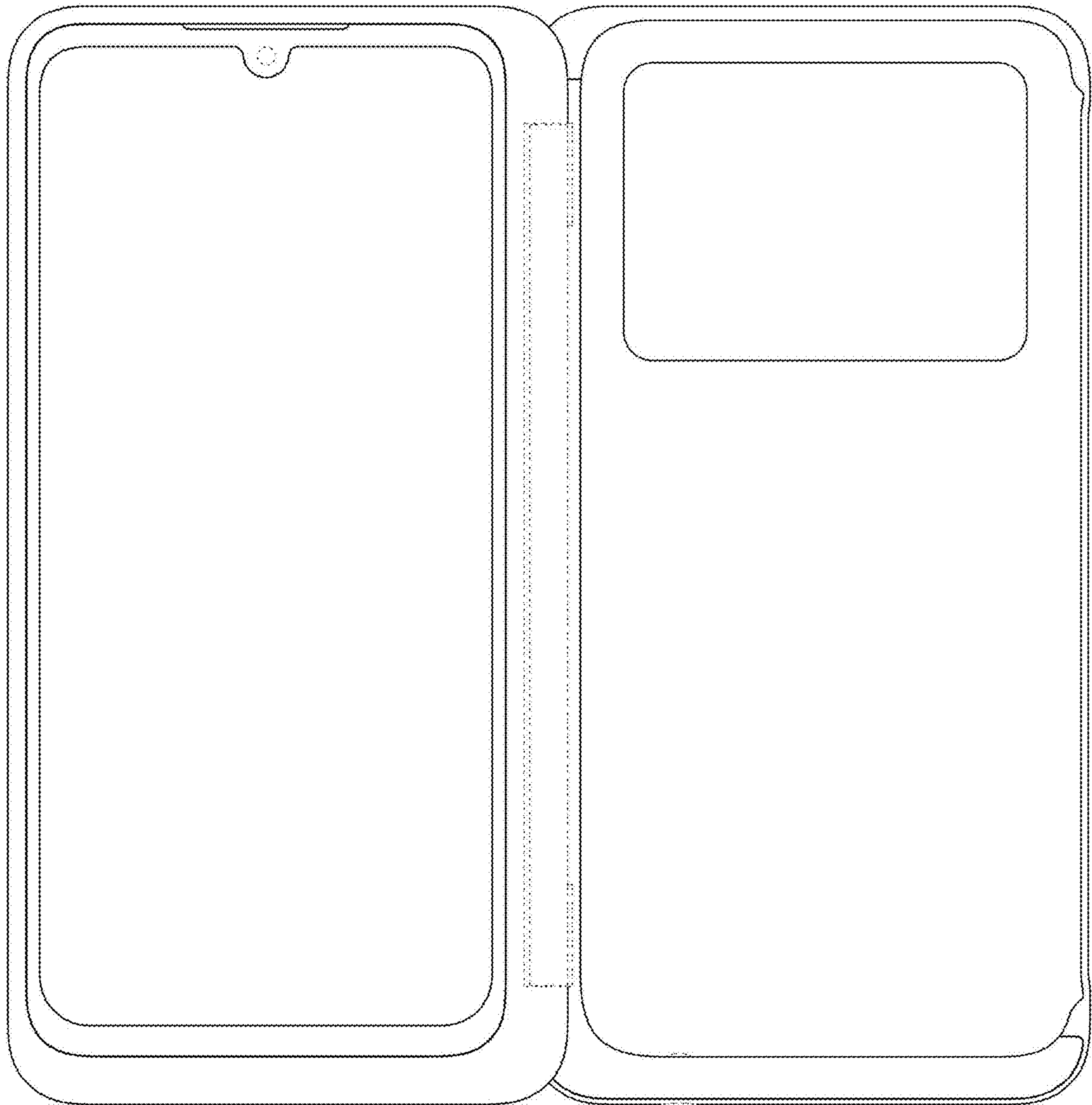
1.9



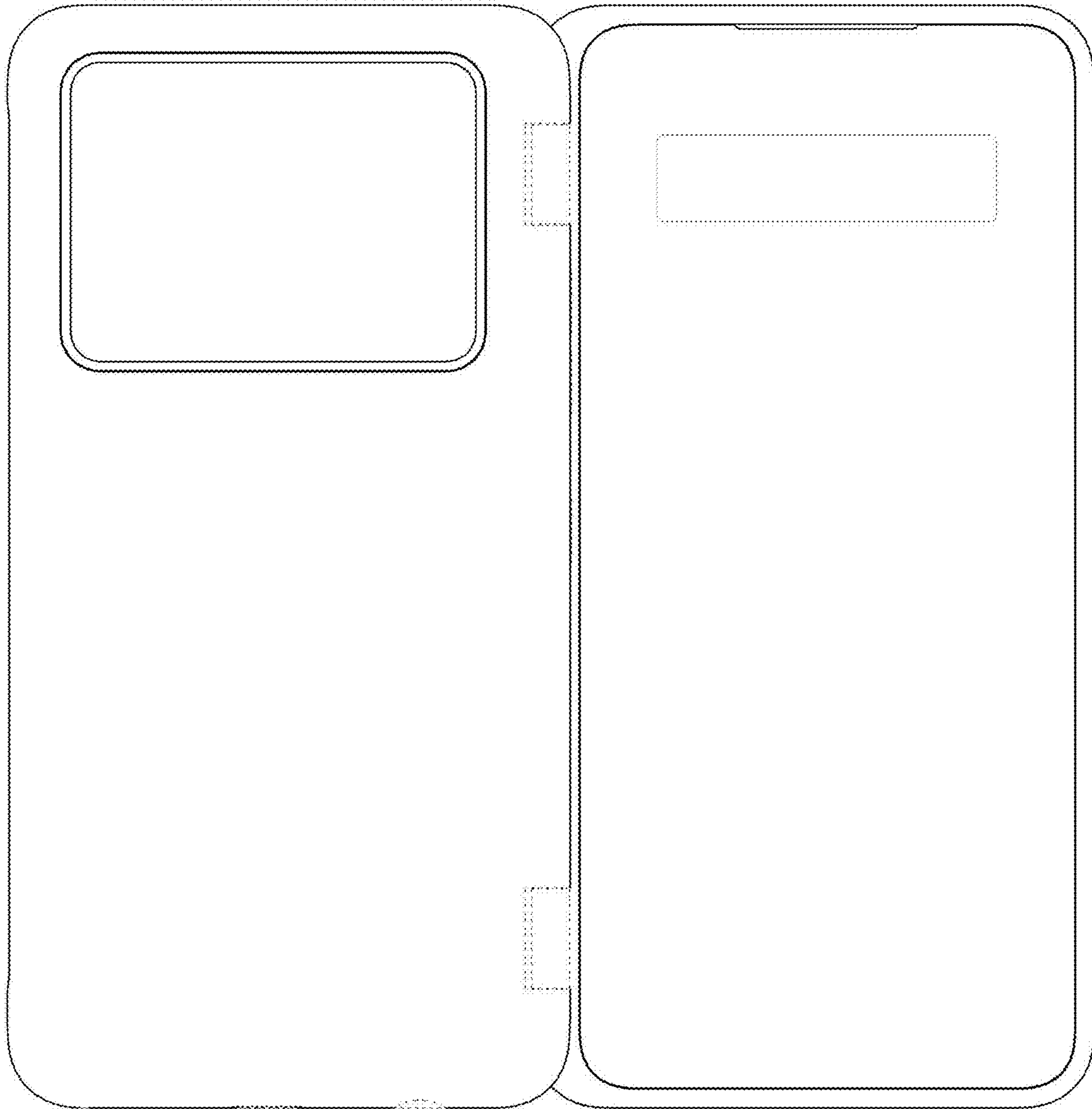
1.10



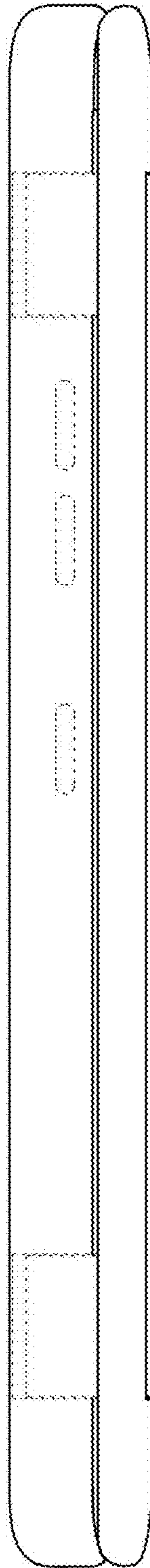
1.11



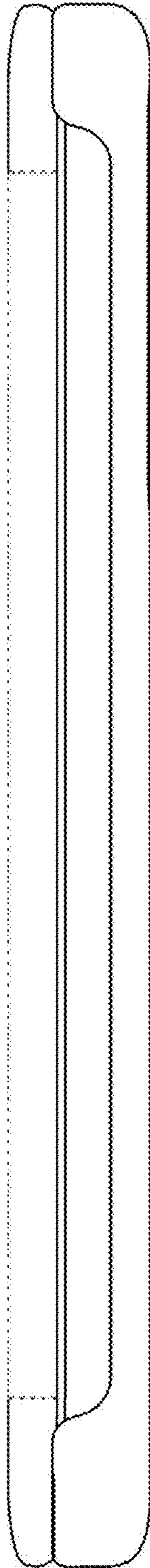
1.12



1.13



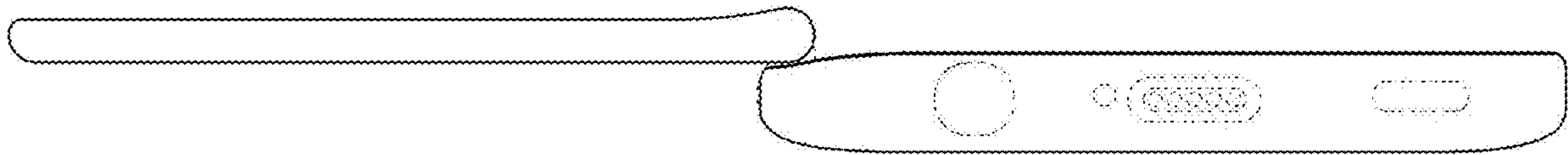
1.14



1.15



1.16



1.17

