



US00D914660S

(12) **United States Design Patent**
Chen

(10) **Patent No.:** **US D914,660 S**

(45) **Date of Patent:** **** Mar. 30, 2021**

(54) **DISPLAY MOUNT**

(71) Applicant: **Shenzhen Prime Technology Co., Ltd,**
Shenzhen (CN)

(72) Inventor: **Huasheng Chen,** Shenzhen (CN)

(**) Term: **15 Years**

(21) Appl. No.: **29/750,515**

(22) Filed: **Sep. 14, 2020**

(51) **LOC (13) Cl.** **14-03**

(52) **U.S. Cl.**
USPC **D14/239**

(58) **Field of Classification Search**
USPC D14/125-129, 239, 251-253, 335,
D14/336-337, 371-382, 432, 439-441,
D14/447-452, 457, 492
CPC G06F 1/1616; G06F 3/011; G06F 3/016;
G06F 3/0202; G06F 3/0213; G06F
3/0219; G06F 3/023; G06F 3/0338; G06F
3/03543; G06F 3/038; G06F 3/0488; G06F 3/04883

See application file for complete search history.

(56) **References Cited**

U.S. PATENT DOCUMENTS

D517,085 S *	3/2006	Deuschle	D14/451
D561,562 S	2/2008	Wohlford		
D561,775 S	2/2008	Wohlford		
D570,355 S *	6/2008	Muday	D14/451
D570,852 S *	6/2008	Muday	D14/451
D586,338 S *	2/2009	Stenhouse	D14/239
D603,412 S *	11/2009	Wills	D14/451
D666,206 S *	8/2012	Huang	D14/452
D811,376 S *	2/2018	Pei	D14/239
D836,617 S *	12/2018	Shu	D14/239
D852,174 S *	6/2019	Pei	D14/239
D852,790 S *	7/2019	Pei	D14/239
D853,403 S *	7/2019	Lyu	D14/451

D858,493 S *	9/2019	Pei	D14/239
D877,743 S *	3/2020	Pei	D14/451
D888,027 S *	6/2020	Pei	D14/239
D904,360 S *	12/2020	Pei	D14/239
D905,070 S *	12/2020	Pei	D14/451
D907,018 S *	1/2021	Pei	D14/239
2019/0390817 A1 *	12/2019	Pei	F16M 11/10

OTHER PUBLICATIONS

Tilting TV Wall Mount Kit, review date: Nov. 1, 2017, [retrieved Feb. 12, 2021], Retrieved from Internet, URL: <<https://www.homedepot.com/p/Ematic-Tilting-TV-Wall-Mount-Kit-with-HDMI-Cable-for-30-in-79-in-Display-EMW6101/300804965>> (Year: 2017).*
Premier Mounts AM95 Full-Motion Wall Mount, date not available, [retrieved Feb. 12, 2021], Retrieved from Internet, URL: <https://www.bhphotovideo.com/c/product/1325167-REG/premier_mounts_am95_low_profile_dual_stud_dual.html/specs> (Year: 2020).*

(Continued)

Primary Examiner — Barbara Fox
Assistant Examiner — Aram Kwon
(74) *Attorney, Agent, or Firm* — W&K IP

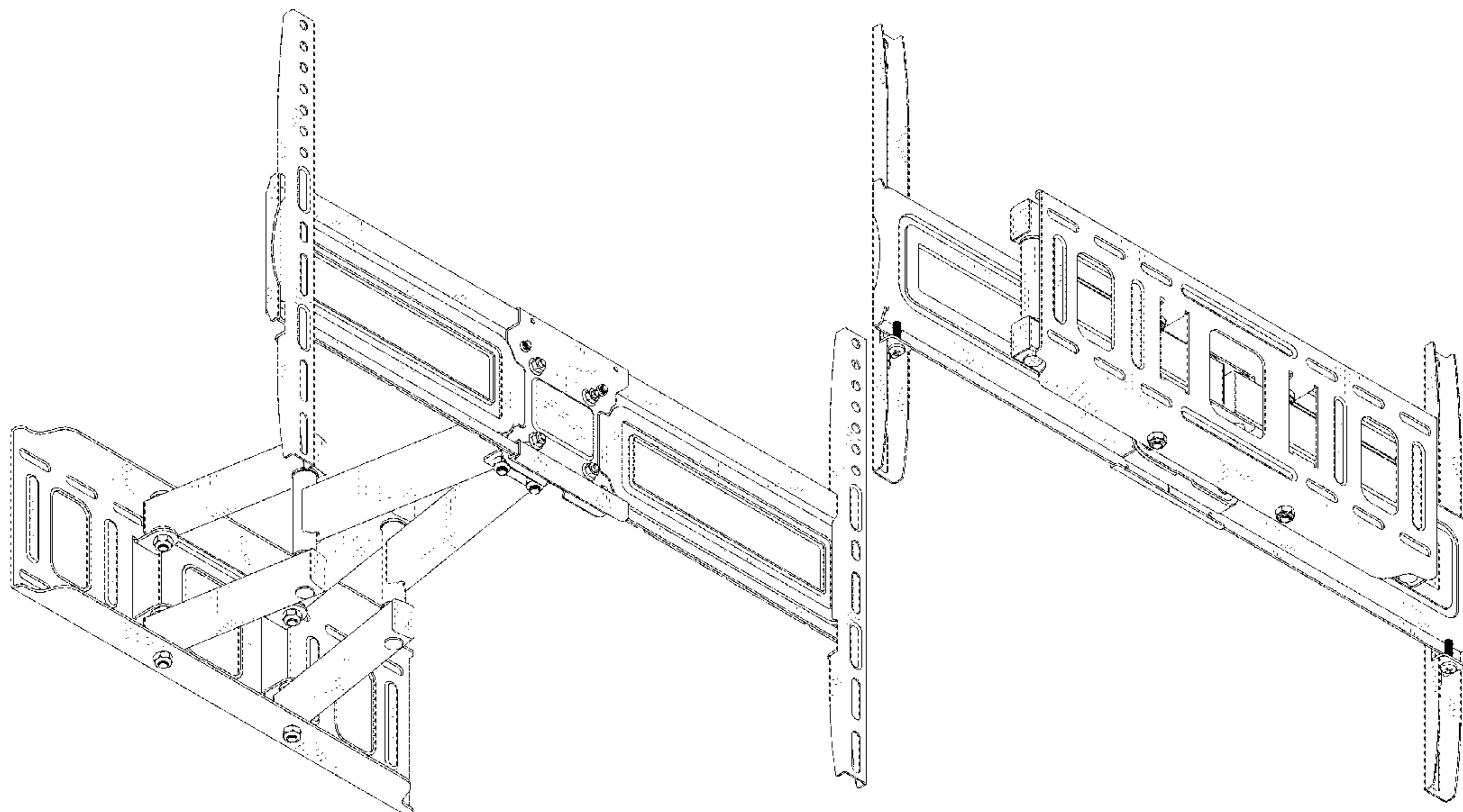
(57) **CLAIM**

The ornamental design for a display mount, as shown and described.

DESCRIPTION

FIG. 1 is a front perspective view of a display mount showing my new design, shown in an open state;
FIG. 2 is a rear perspective view of the display mount in FIG. 1, shown in a folded state;
FIG. 3 is a front view of the display mount of FIG. 1;
FIG. 4 is a rear view thereof;
FIG. 5 is a left side view thereof;
FIG. 6 is a right side view thereof;
FIG. 7 is a top plan view thereof; and,
FIG. 8 is a bottom plan view thereof.

1 Claim, 8 Drawing Sheets



(56)

References Cited

OTHER PUBLICATIONS

Orbital Express Truss Large Monitor Mount, date not available, [retrieved Feb. 12, 2021], Retrieved from Internet, URL: <<https://www.orbusdisplays.com/truss-large-monitor-mount>> (Year: 2020).*

* cited by examiner

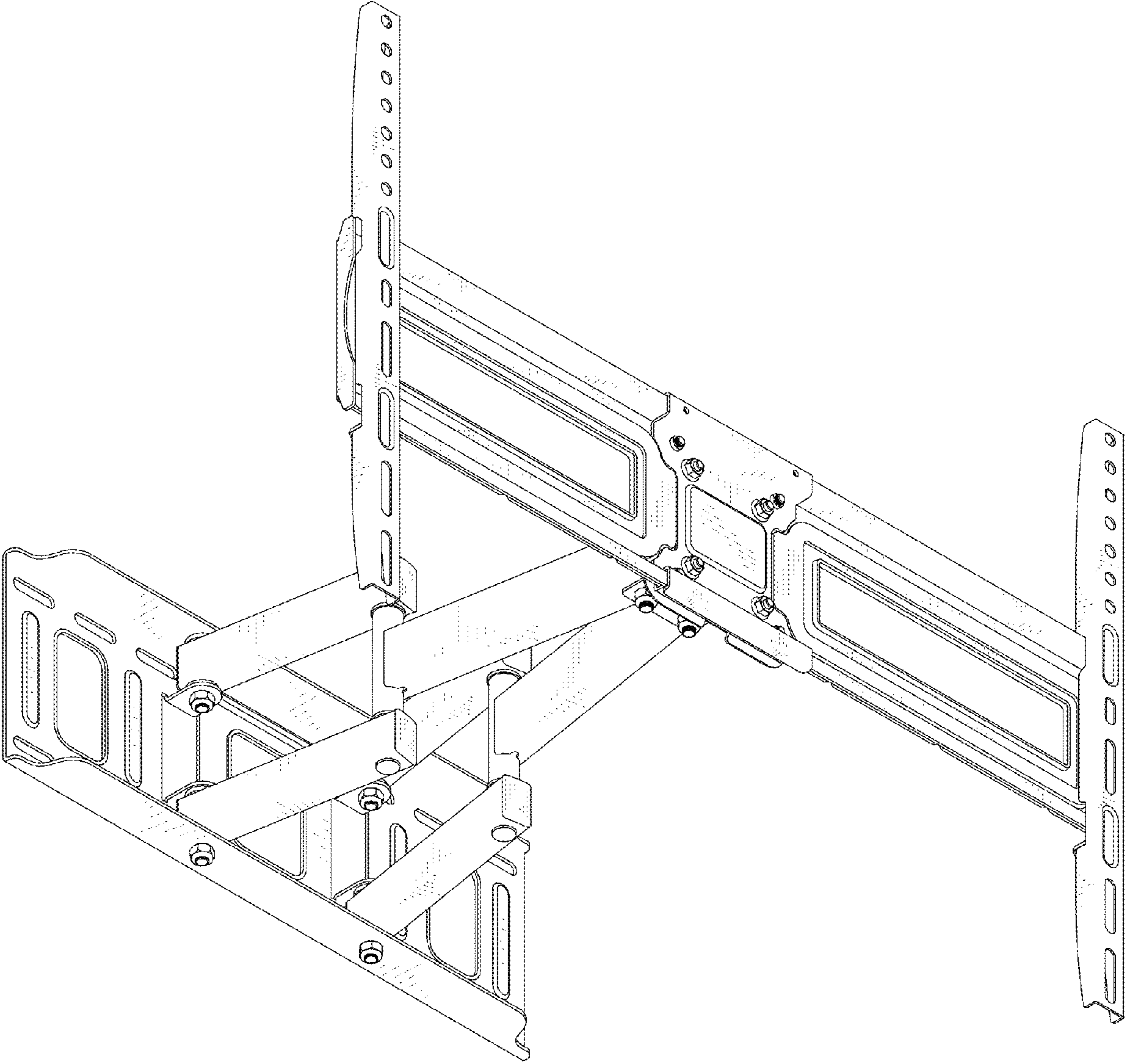


FIG.1

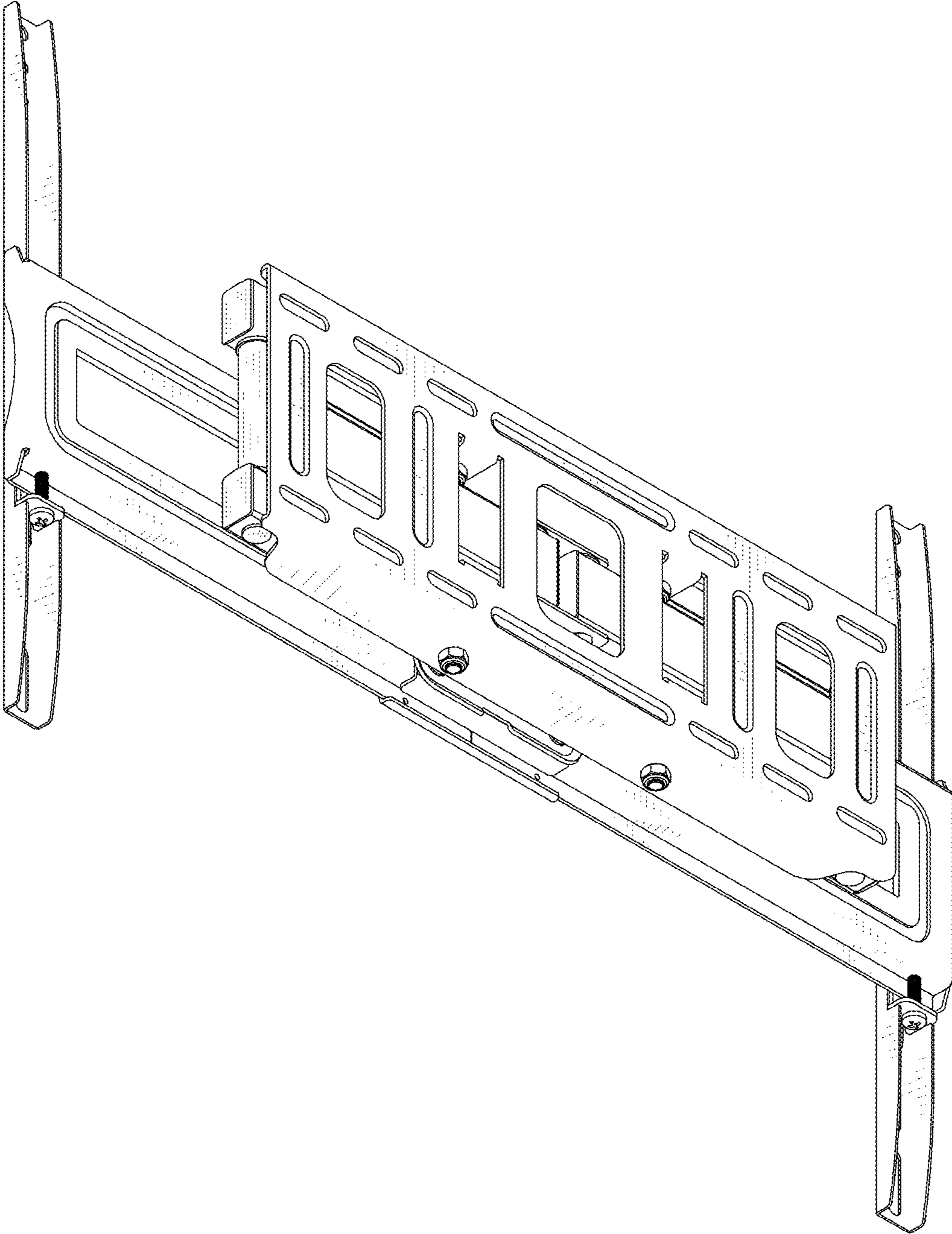


FIG. 2

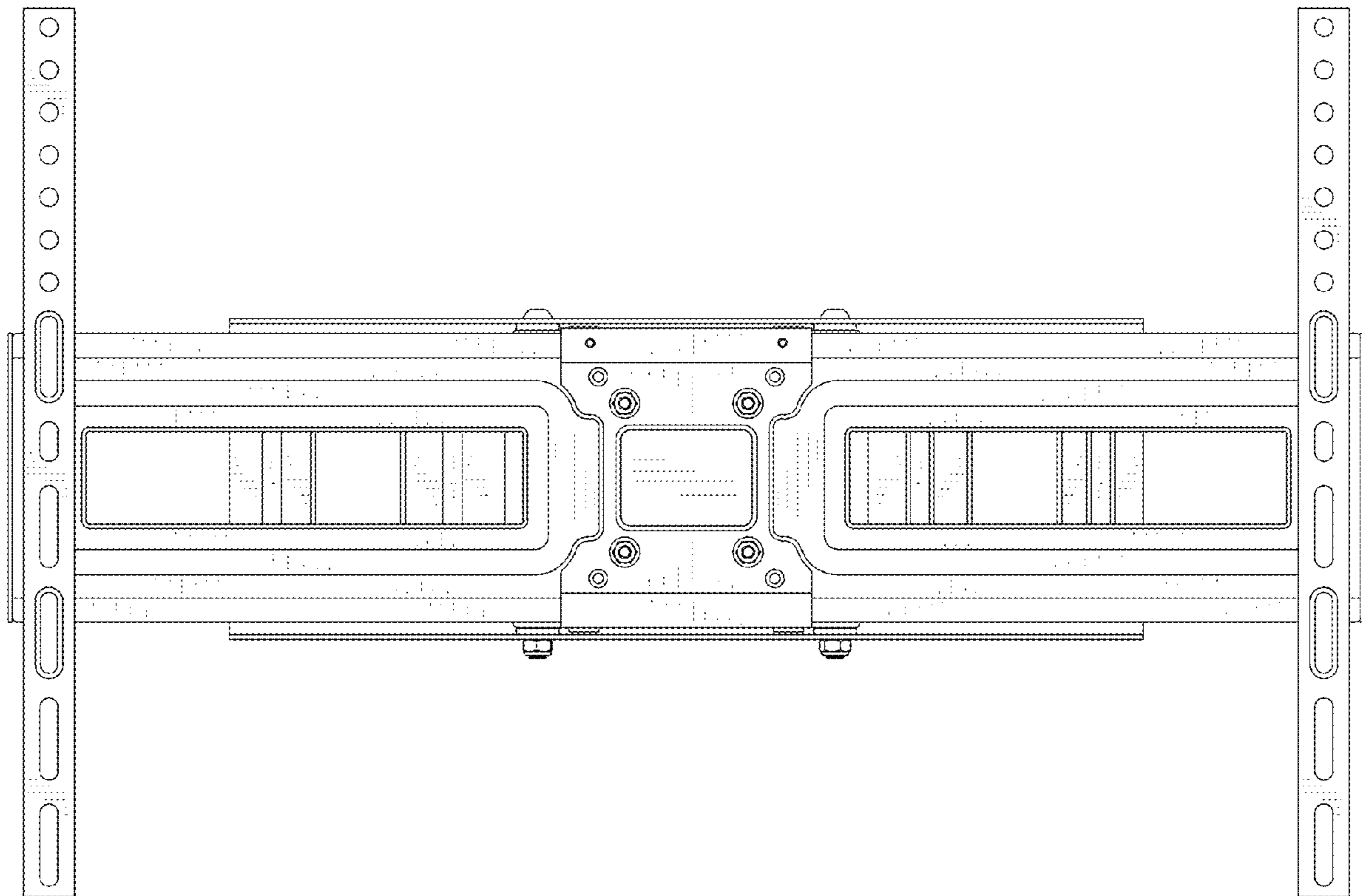


FIG.3

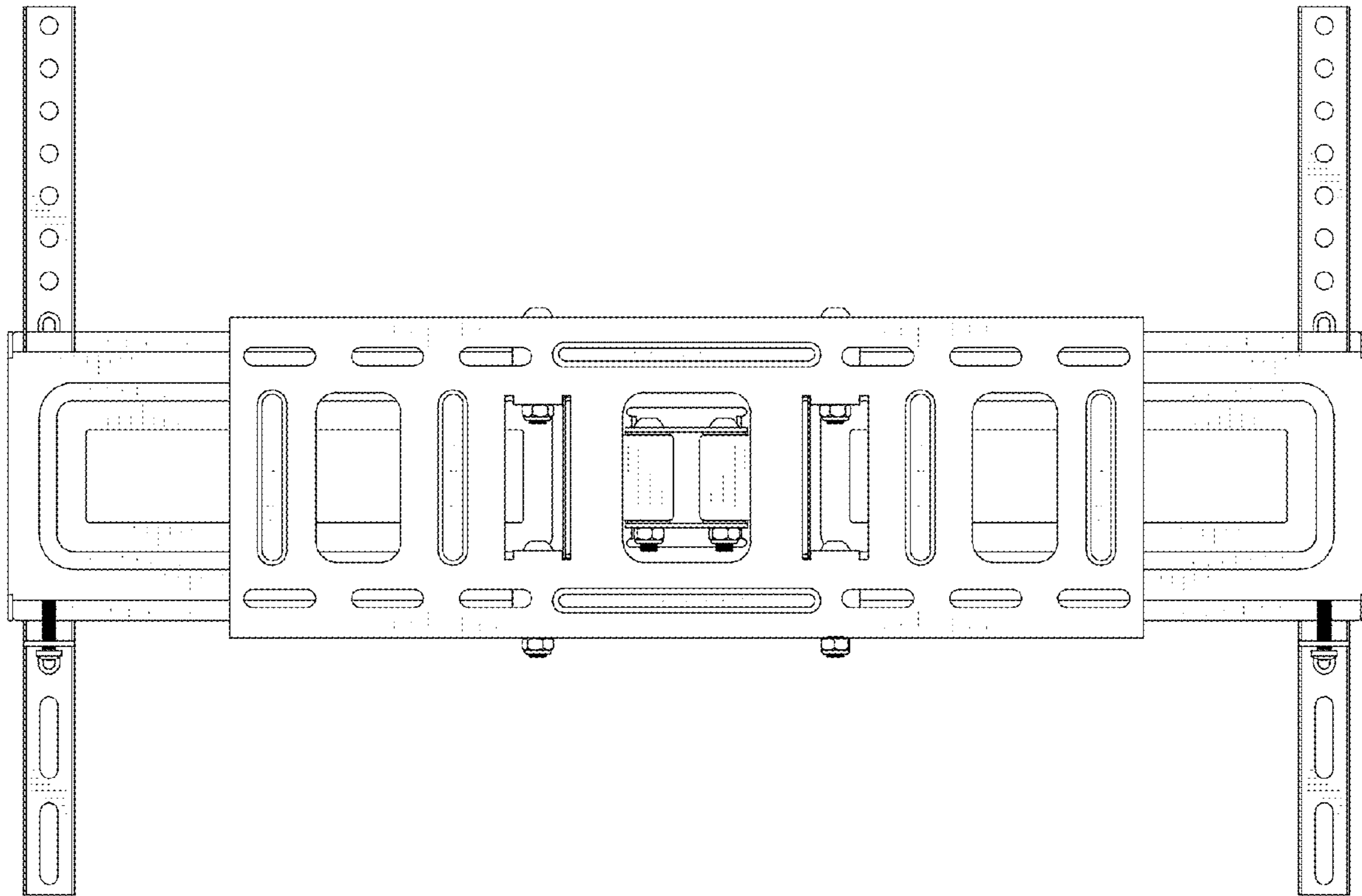


FIG. 4

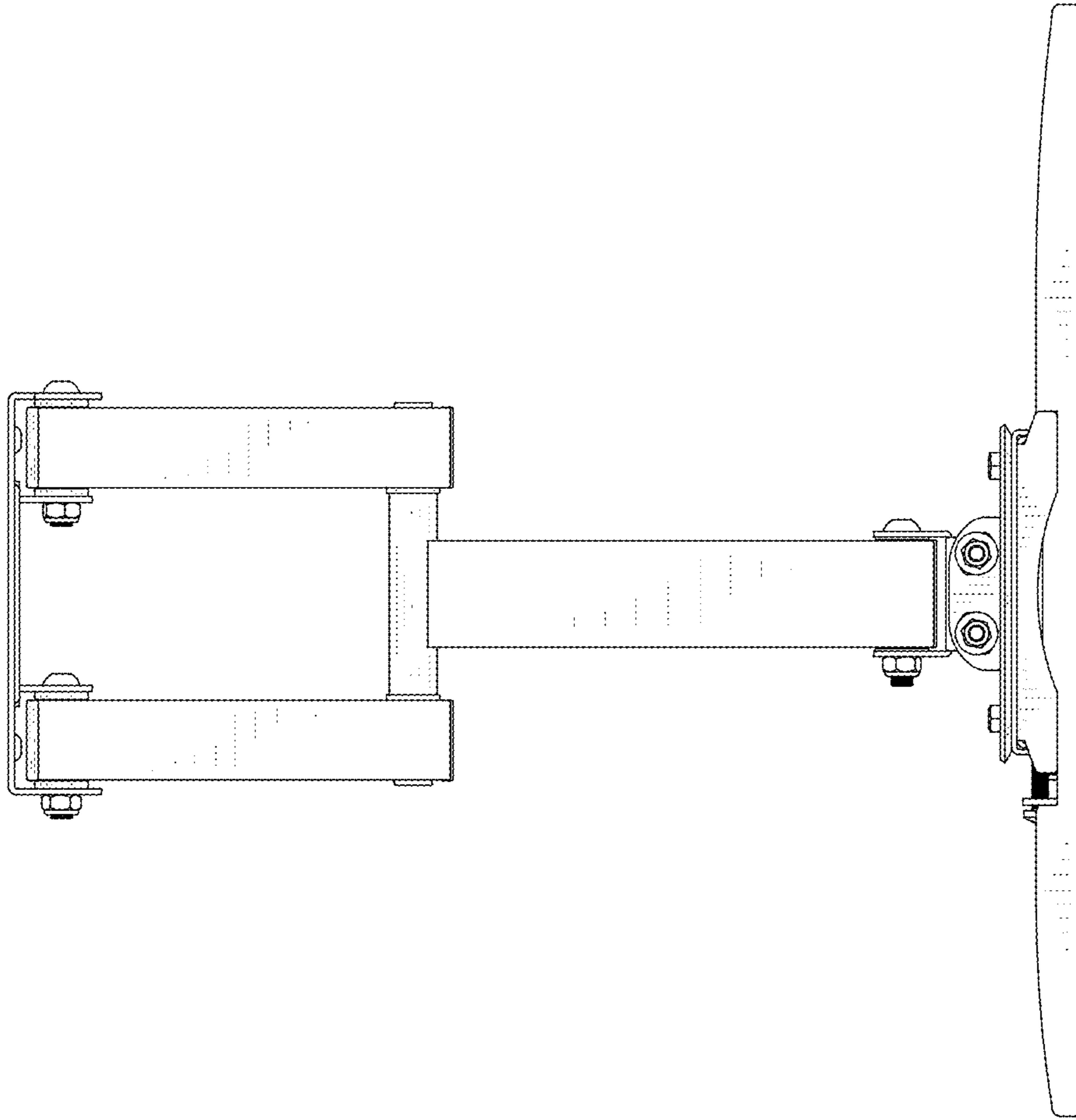


FIG.5

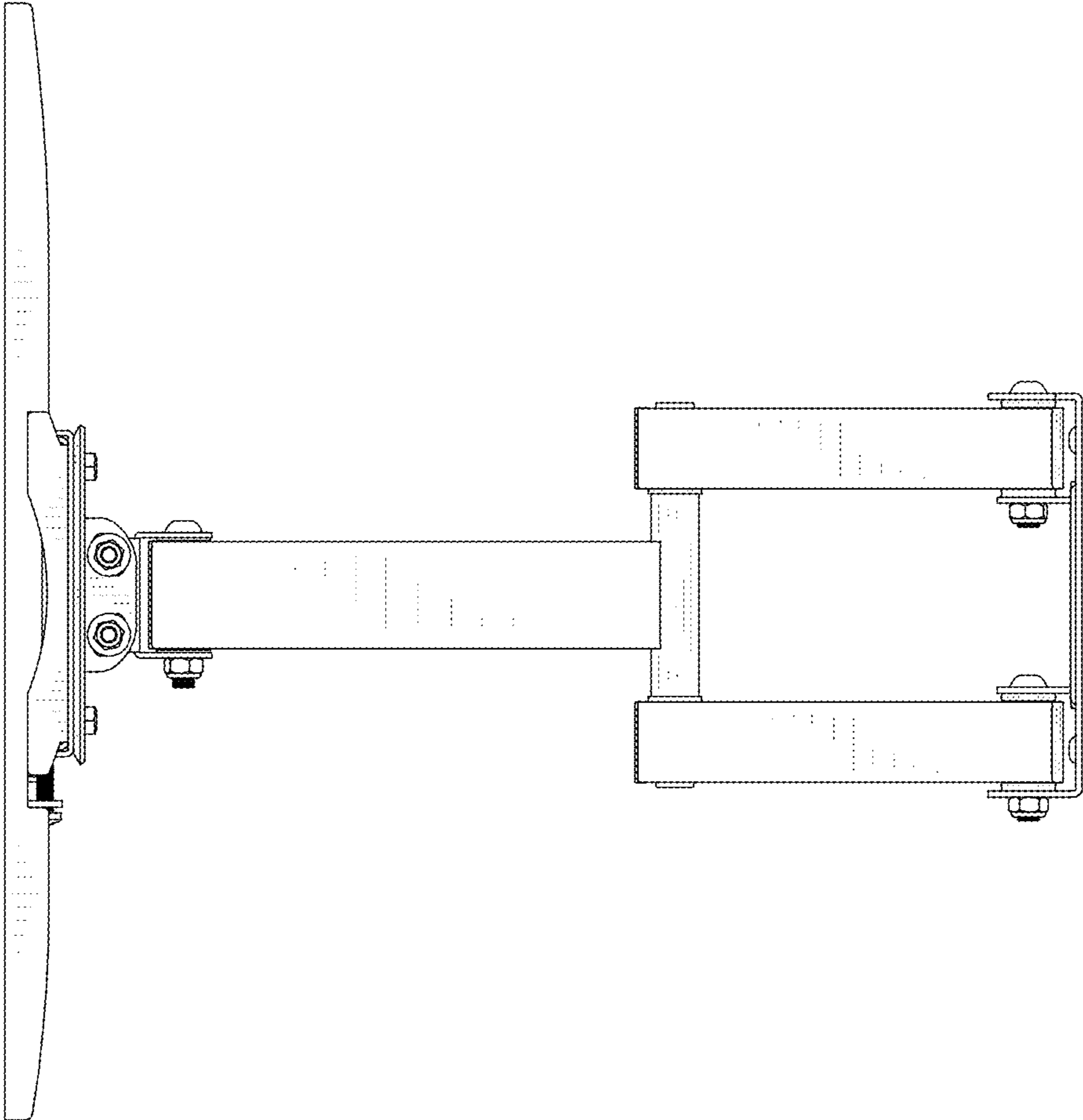


FIG.6

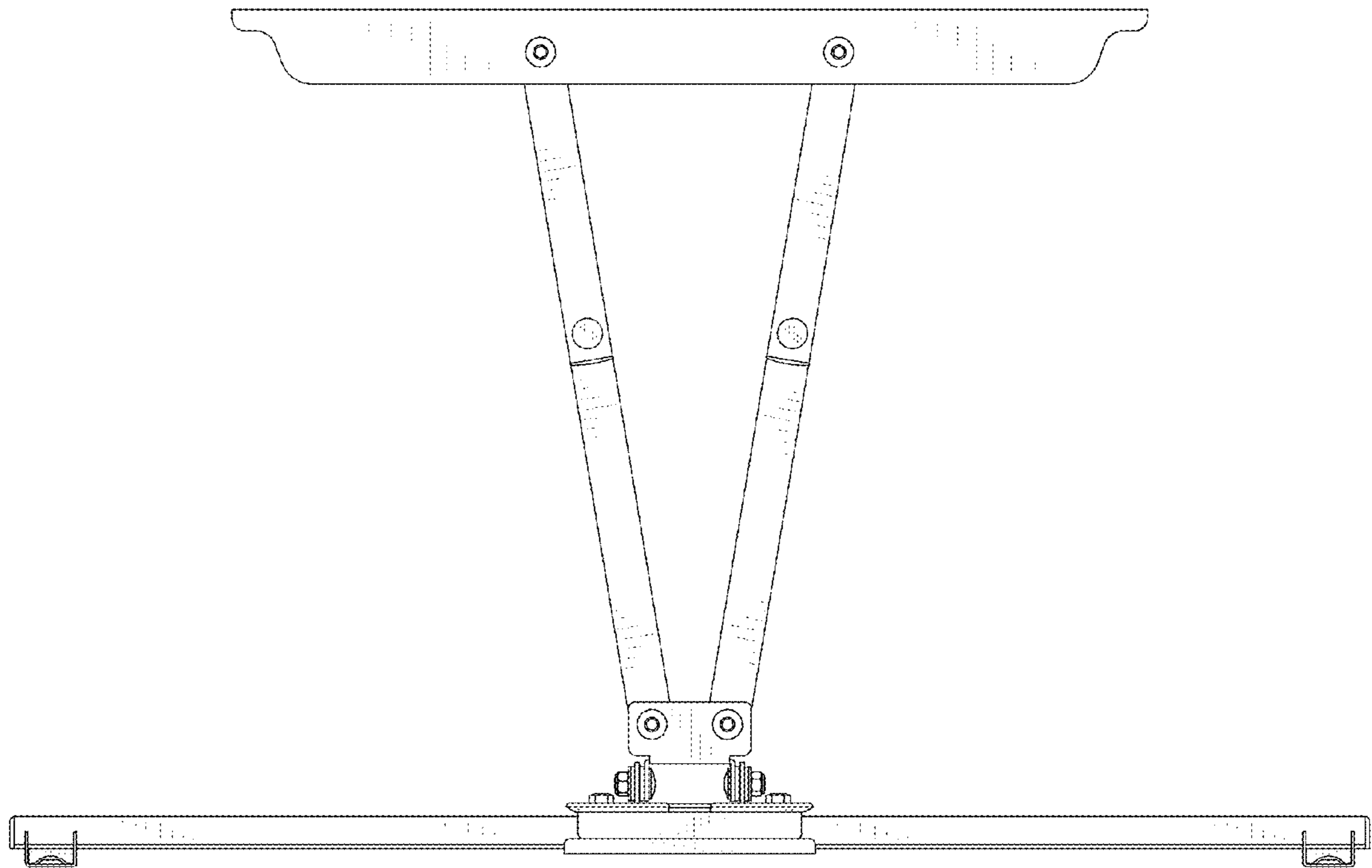


FIG. 7

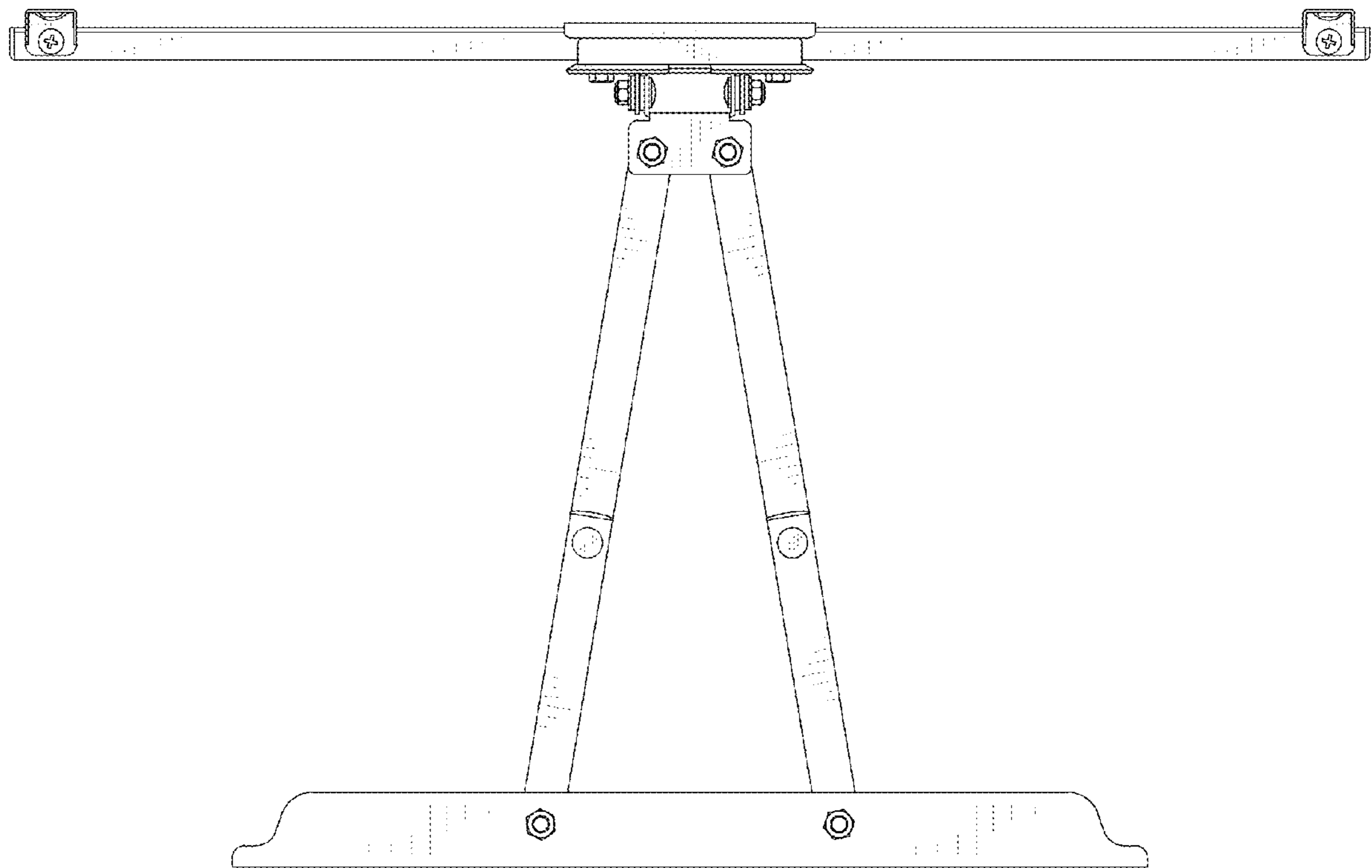


FIG. 8