



US00D914659S

(12) **United States Design Patent**
Xu et al.

(10) **Patent No.:** **US D914,659 S**
(45) **Date of Patent:** **** Mar. 30, 2021**

(54) **MOBILE STAND FOR DISPLAY DEVICE**
(71) Applicant: **IWORKHUB LIMITED, KL (HK)**
(72) Inventors: **Hao Xu, KL (HK); Jia Zhou, KL (HK)**
(73) Assignee: **IWORKHUB LIMITED, KL (HK)**
(**) Term: **15 Years**
(21) Appl. No.: **29/721,565**
(22) Filed: **Jan. 22, 2020**
(30) **Foreign Application Priority Data**

Nov. 26, 2019 (CN) 201930653647.8

(51) **LOC (13) Cl.** **14-03**
(52) **U.S. Cl.**
USPC **D14/239**

(58) **Field of Classification Search**
USPC D14/371-382, 125-129, 336, 337,
D14/447-452, 492, 335, 376-382, 239,
D14/457, 439-441, 432, 251-253;
D8/349, 354, 363, 373, 376, 380;
D21/333; D12/415; D3/218; 348/180,
348/184, 325, 739, 825; D6/343, 349,
D6/681, 681.2, 685, 692.6
CPC G06F 3/0412; G06F 3/016; G06F 3/0488;
G06F 3/011; G06F 3/038; G06F 3/03543;
G06F 3/0338; G06F 3/0202; G06F
3/0219; G06F 3/0213; G06F 1/1616;
G06F 3/023; G06F 3/04883; G02F
1/13338; G02F 1/1313; G02F 1/1333;
G02F 1/135; G02F 1/132; G02F
1/133308; G02F 1/134309; G02F
1/13718; G09G 3/3648; G06K 15/1252;
G03F 7/70291; F16M 13/02; F16M
13/00; F16M 11/10; F16M 11/04; F16M
2200/08; F16M 11/2021; H02G 3/126;
A47G 1/17; A47K 2201/00
See application file for complete search history.

(56) **References Cited**

U.S. PATENT DOCUMENTS

D598,458 S *	8/2009	Li	D14/451
D603,412 S *	11/2009	Wills	D14/451
D615,072 S *	5/2010	Saitou	D14/239
D742,863 S *	11/2015	Aoyagi	D14/239
D782,491 S *	3/2017	Cutler	D14/447
D782,492 S *	3/2017	Cutler	D14/447
D784,998 S *	4/2017	Cutler	D14/447
D784,999 S *	4/2017	Cutler	D14/447
D831,663 S *	10/2018	Beckers	D14/447
D853,403 S *	7/2019	Lyu	D14/451
D873,253 S *	1/2020	Ahrens	D14/239
D874,449 S *	2/2020	Ahrens	D14/239
D877,743 S *	3/2020	Pei	D14/451

* cited by examiner

Primary Examiner — Katie Jane Stofko

(74) *Attorney, Agent, or Firm* — JCIP Global Inc.

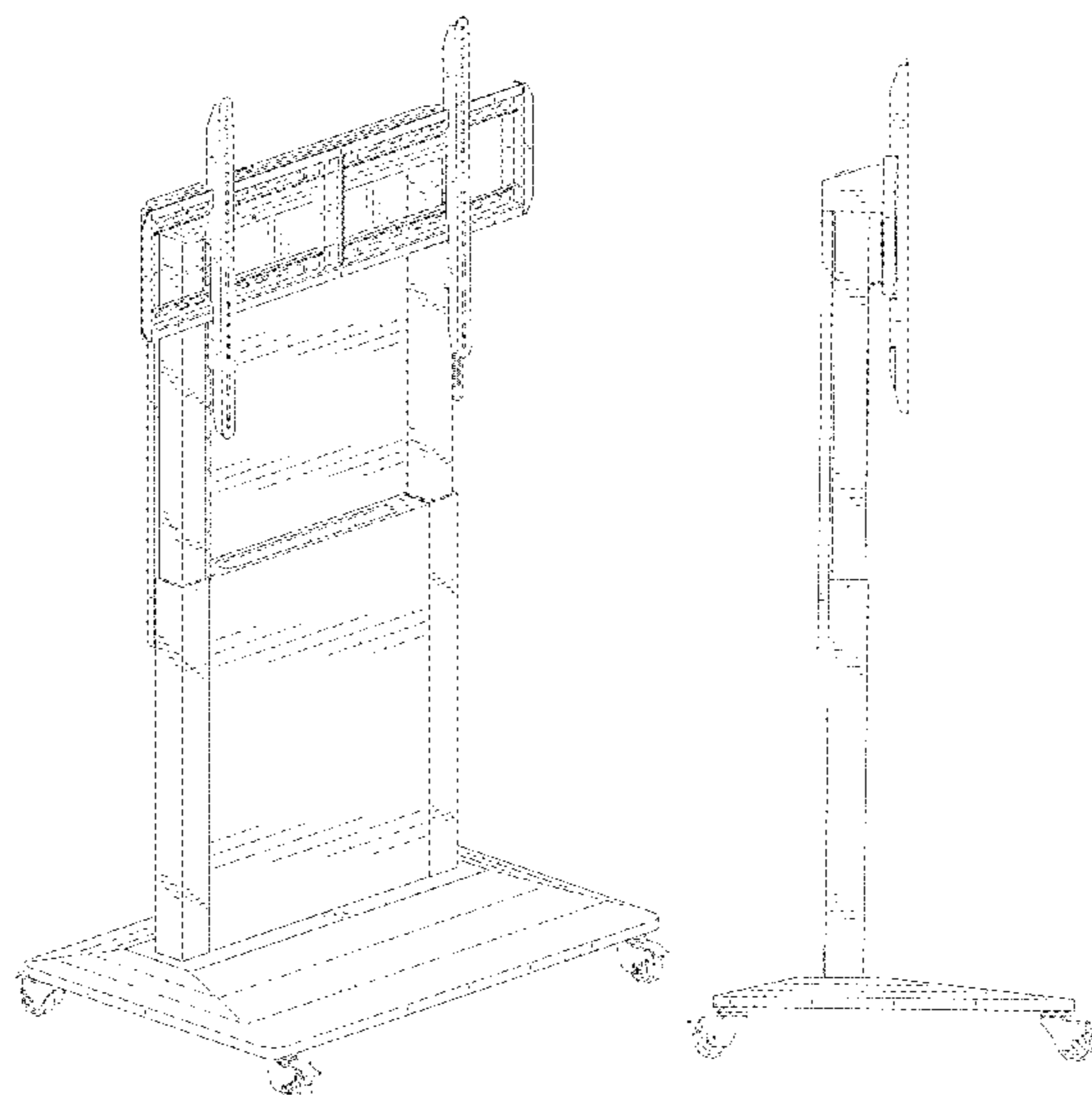
(57) **CLAIM**

The ornamental design for a mobile stand for display device, as shown and described.

DESCRIPTION

FIG. 1 is a perspective view of a mobile stand for display device showing our new design;
FIG. 2 is another perspective view thereof;
FIG. 3 is a front view thereof;
FIG. 4 is a rear view thereof;
FIG. 5 is a left side view thereof;
FIG. 6 is a right side view thereof;
FIG. 7 is a top view thereof; and,
FIG. 8 is a bottom view thereof.
The broken lines shown in FIGS. 1-8 illustrate portions of the mobile stand for display device that form no part of the claimed design.

1 Claim, 8 Drawing Sheets



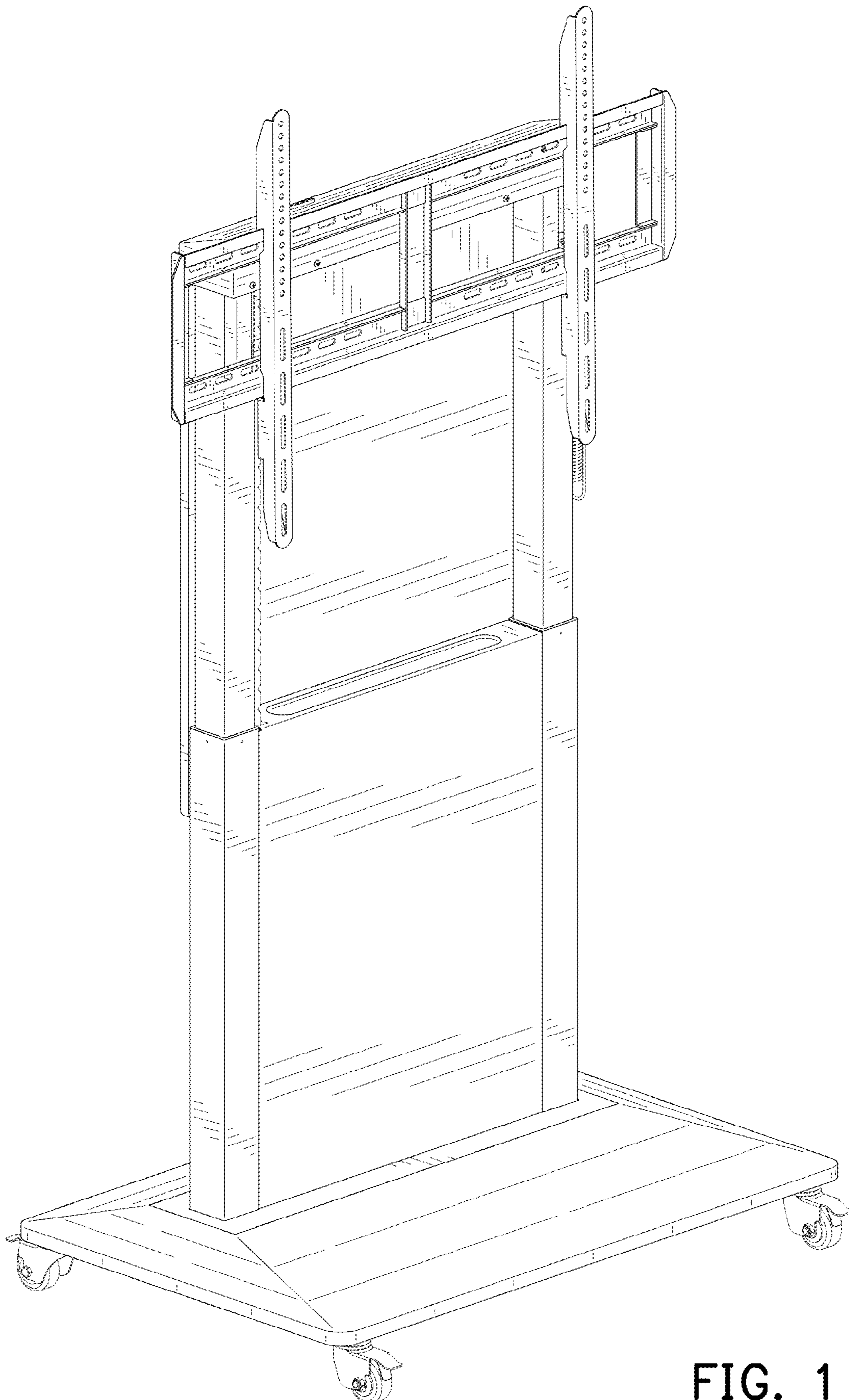


FIG. 1

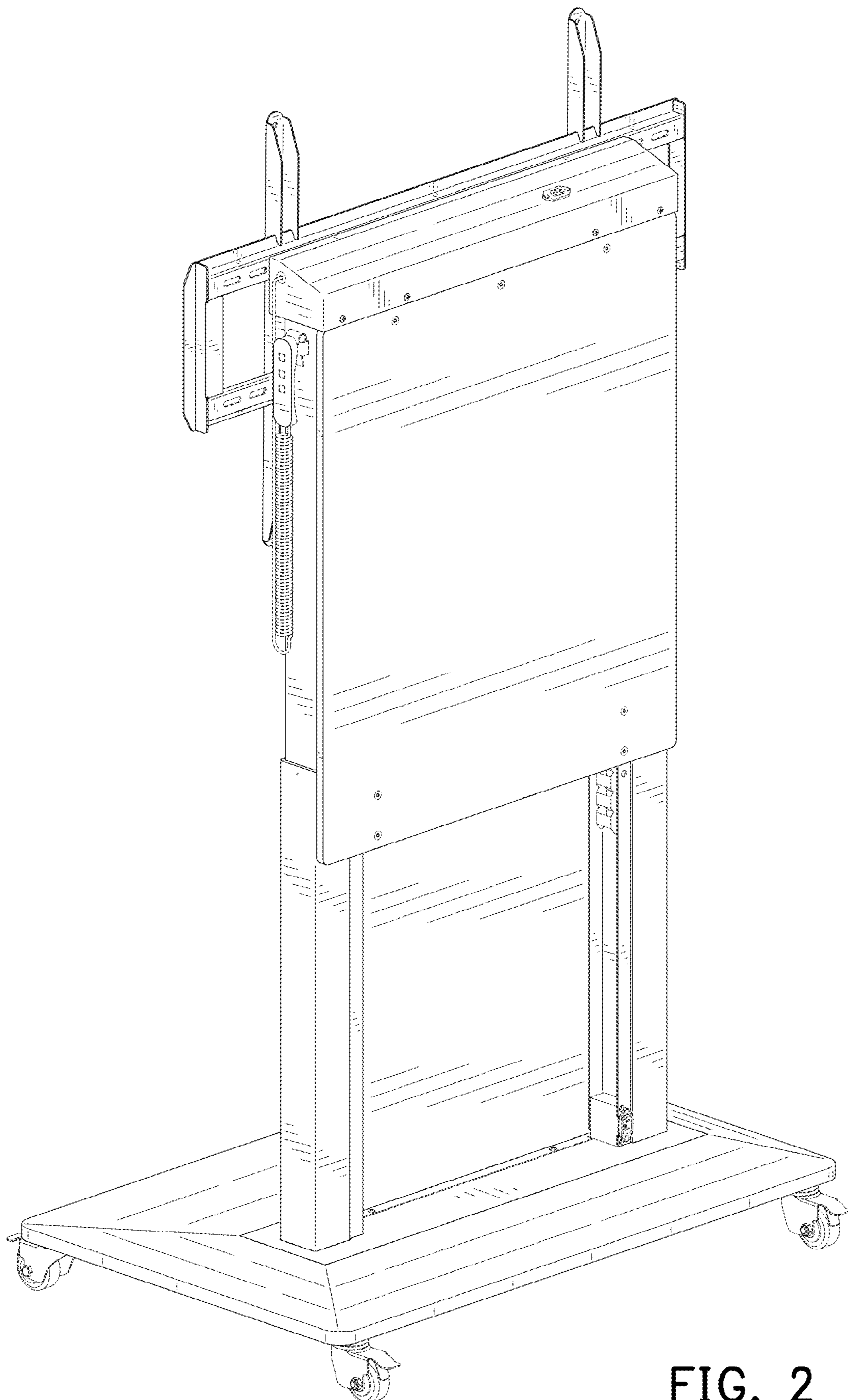


FIG. 2

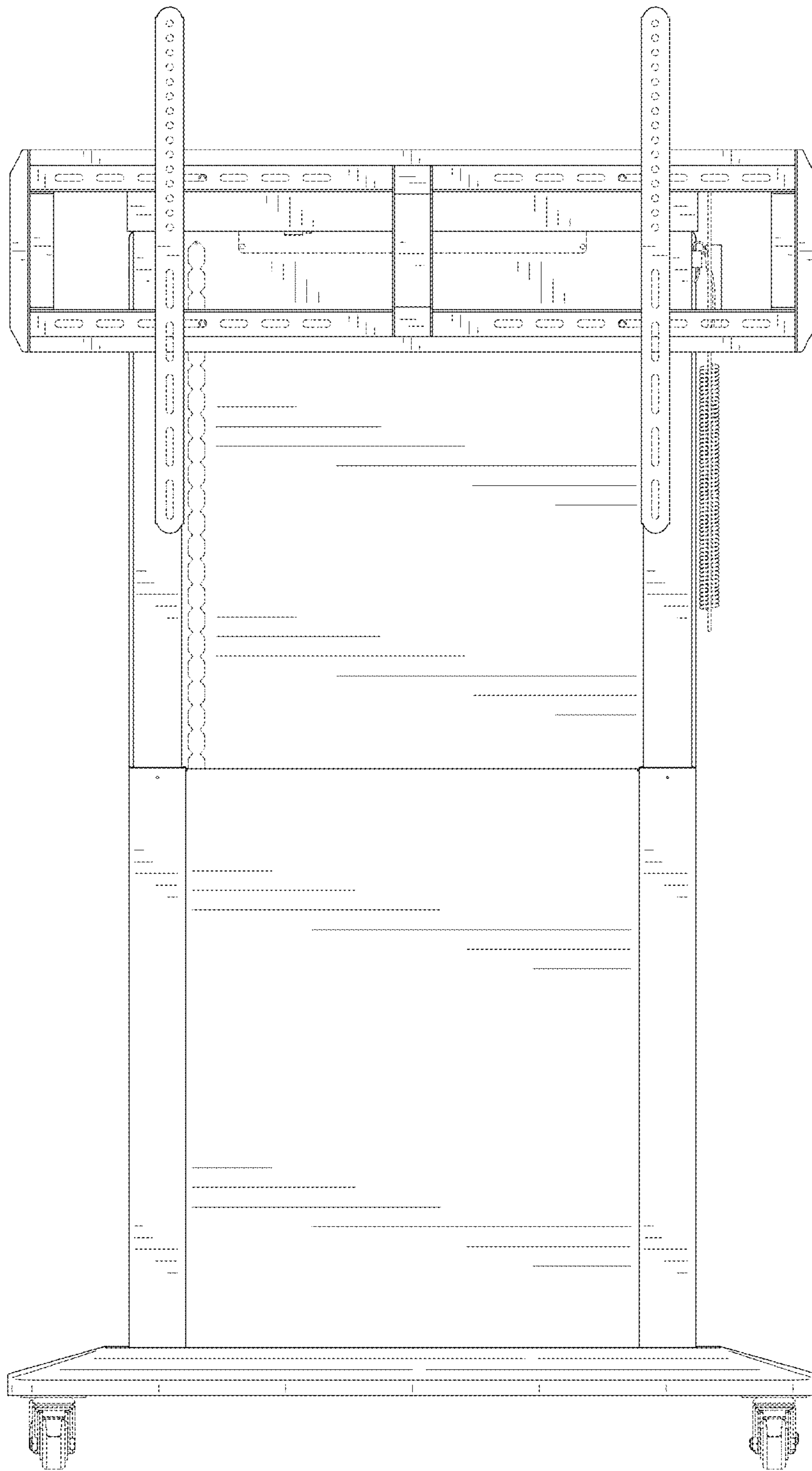


FIG. 3

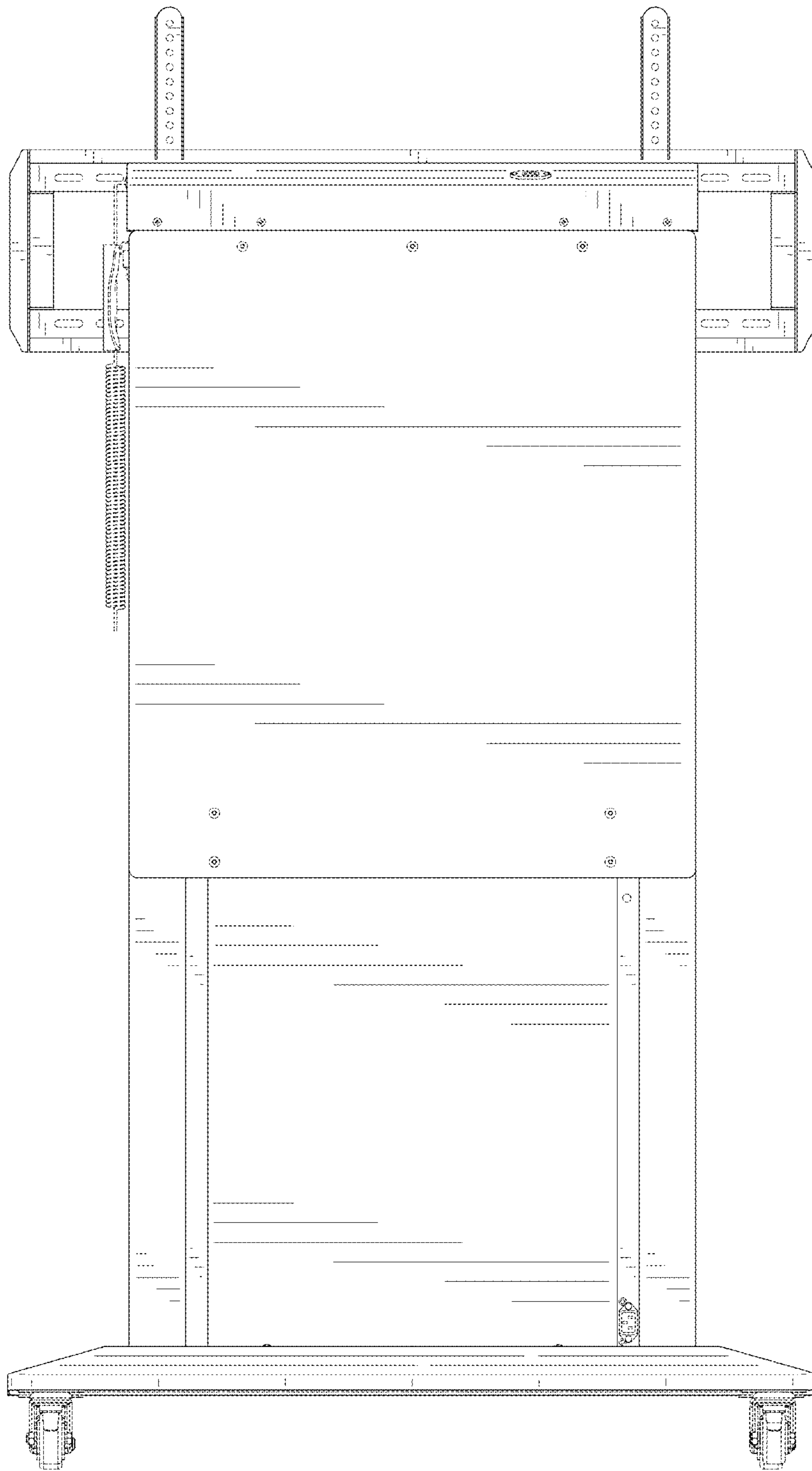


FIG. 4

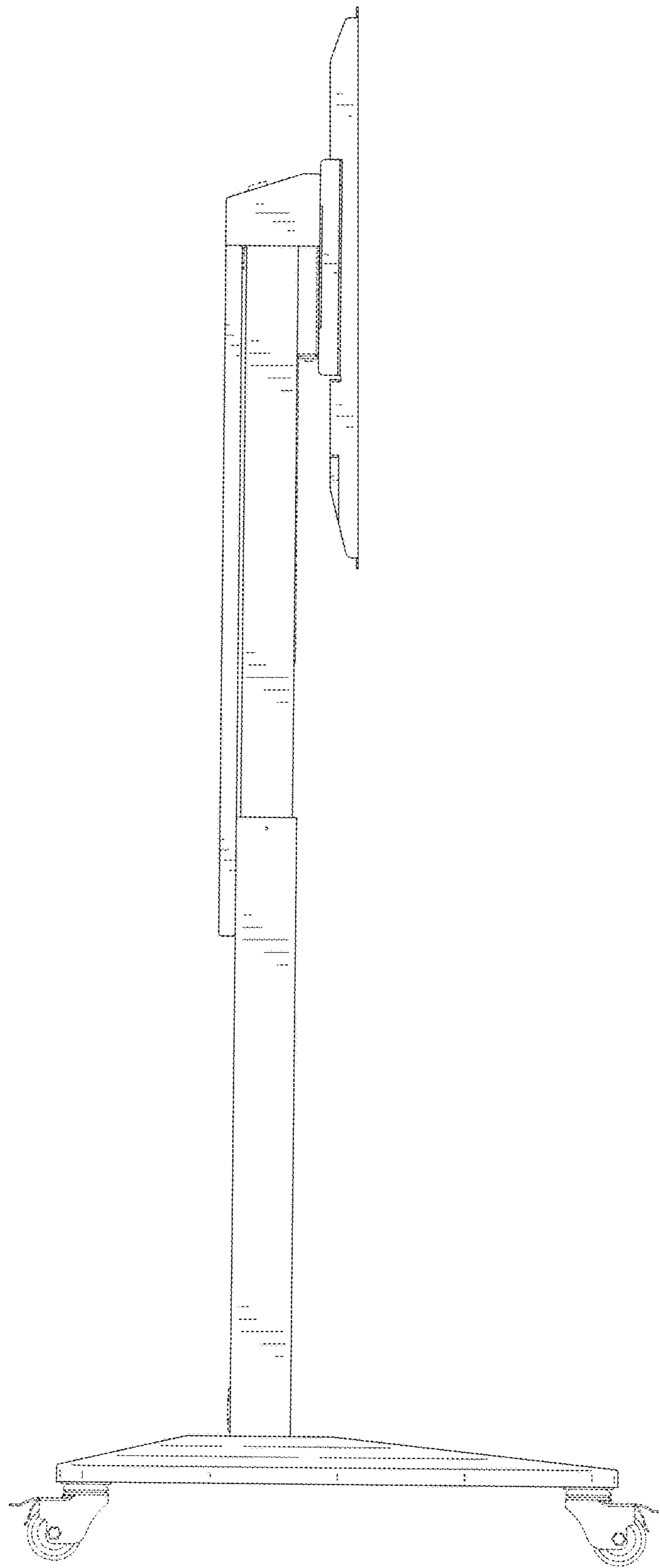


FIG. 5

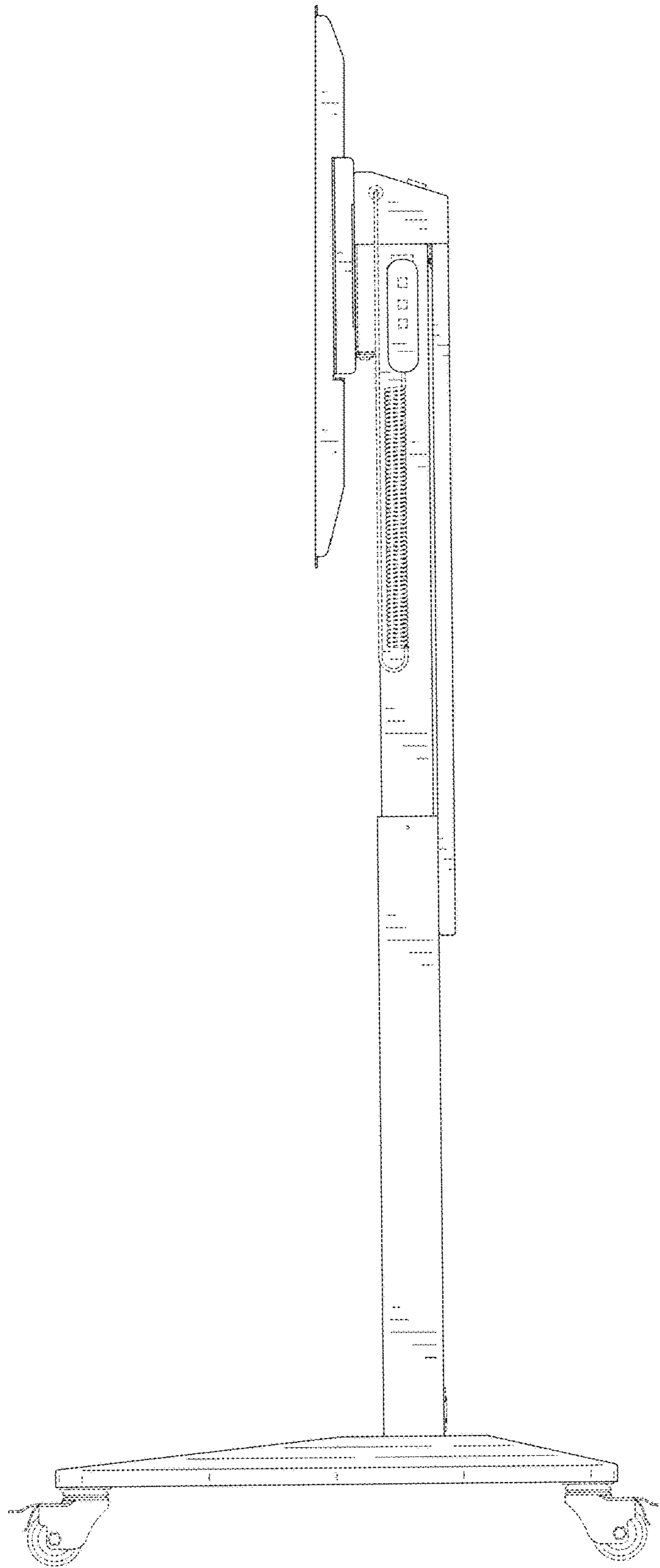


FIG. 6

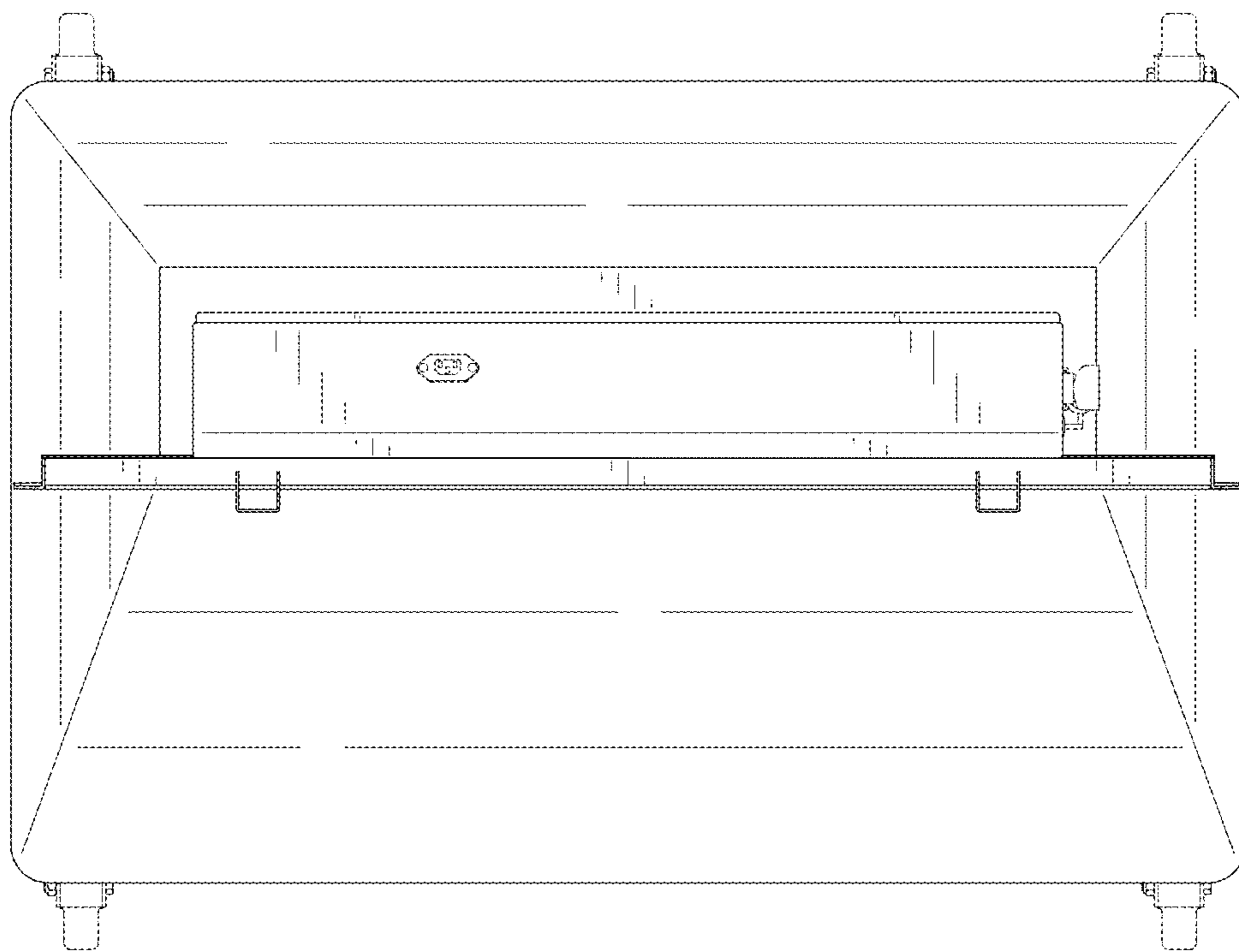


FIG. 7

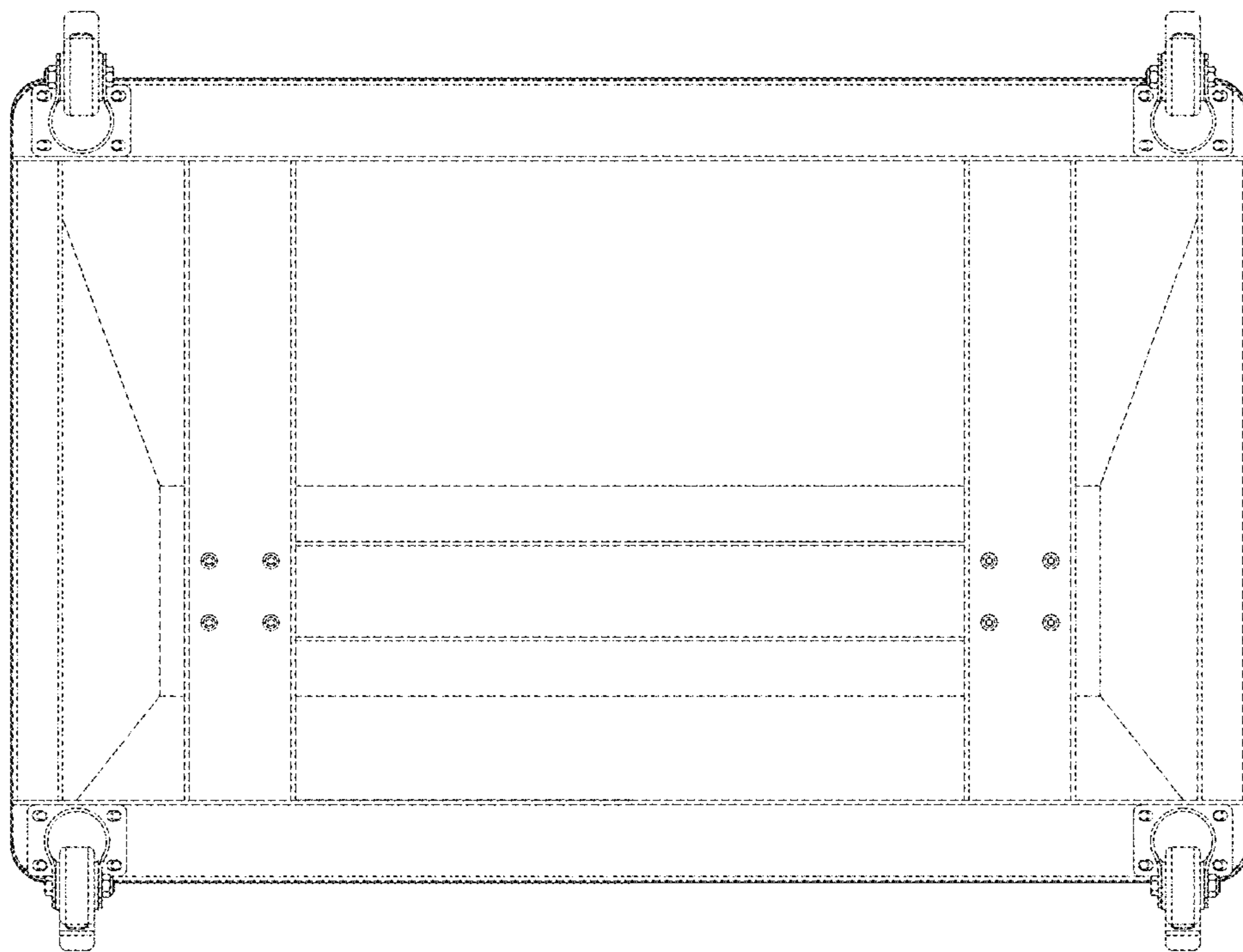


FIG. 8