



US00D914658S

(12) **United States Design Patent** (10) **Patent No.:** **US D914,658 S**
Pei (45) **Date of Patent:** **** Mar. 30, 2021**

(54) **MOBILE STAND FOR DISPLAY DEVICE**

(71) Applicant: **Xu Bo Pei**, Shenzhen (CN)

(72) Inventor: **Xu Bo Pei**, Shenzhen (CN)

(**) Term: **15 Years**

(21) Appl. No.: **29/721,383**

(22) Filed: **Jan. 21, 2020**

(30) **Foreign Application Priority Data**

Nov. 30, 2019 (CN) 201930666311.5

(51) **LOC (13) Cl.** **14-03**

(52) **U.S. Cl.**
USPC **D14/239**

(58) **Field of Classification Search**

USPC D14/371-382, 125-129, 336, 337,
D14/447-452, 492, 335, 239, 457,
D14/439-441, 432, 251-253; D8/349,
D8/354, 363, 373, 376, 380; D21/333;
D12/415; D3/218; 348/180, 184, 325,
348/739, 825; D6/343, 349, 681, 681.2,
D6/685, 692.6

CPC G06F 3/0412; G06F 3/016; G06F 3/0488;
G06F 3/011; G06F 3/038; G06F 3/03543;
G06F 3/0338; G06F 3/0202; G06F
3/0219; G06F 3/0213; G06F 1/1616;
G06F 3/023; G06F 3/04883; G02F
1/13338; G02F 1/1313; G02F 1/1333;
G02F 1/135; G02F 1/132; G02F
1/133308; G02F 1/134309; G02F
1/13718; G09G 3/3648; G06K 15/1252;
B41J 2/465; G03F 7/70291; G02B
27/0172; G02B 5/30; G02B 2027/0118;
G02B 27/10101; F16M 13/02; F16M
13/00; F16M 11/10; F16M 11/04; F16M
2200/08; F16M 11/2021; A47B 21/0314;
A47B 88/044; A47B 2021/0335; H02G
3/126; F16B 47/00; F16B 47/006; A47G
1/17; A47K 2201/00

See application file for complete search history.

(56) **References Cited**

U.S. PATENT DOCUMENTS

7,195,214 B2 * 3/2007 Lee F16M 11/08
248/125.8
D605,429 S * 12/2009 Oner D6/675.3
D615,072 S * 5/2010 Saitou D14/239

(Continued)

Primary Examiner — Katie Jane Stofko

(74) *Attorney, Agent, or Firm* — JCIPRNET

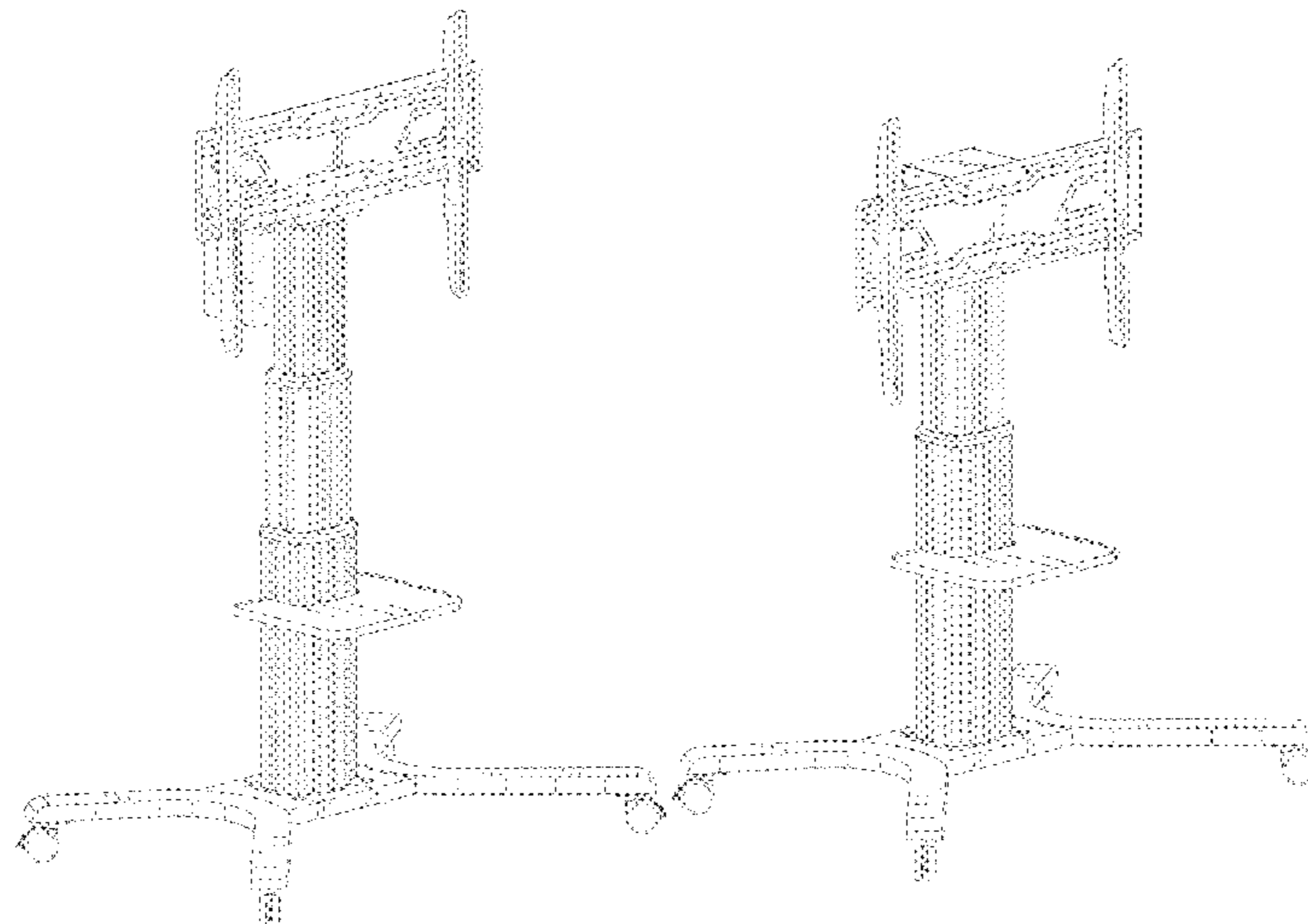
(57) **CLAIM**

The ornamental design for a mobile stand for display device, as shown and described.

DESCRIPTION

FIG. 1 is a perspective view of a first embodiment of a mobile stand for display device showing my new design; FIG. 2 is another perspective view of FIG. 1; FIG. 3 is a front view of FIG. 1; FIG. 4 is a rear view of FIG. 1; FIG. 5 is a left side view of FIG. 1; FIG. 6 is a right side view of FIG. 1; FIG. 7 is a top view of FIG. 1; FIG. 8 is a bottom view of FIG. 1; FIG. 9 is a perspective view of a second embodiment of a mobile stand for display device showing my new design; FIG. 10 is another perspective view of FIG. 9; FIG. 11 is a front view of FIG. 9; FIG. 12 is a rear view of FIG. 9; FIG. 13 is a left side view of FIG. 9; FIG. 14 is a right side view of FIG. 9; FIG. 15 is a top view of FIG. 9; and, FIG. 16 is a bottom view of FIG. 9. The broken lines shown in FIGS. 1-16 illustrate portions of the mobile stand for display device that form no part of the claimed design.

1 Claim, 16 Drawing Sheets



(56)

References Cited

U.S. PATENT DOCUMENTS

D642,183 S * 7/2011 Chinuki F16M 11/10
D14/451
D721,159 S * 1/2015 Reneau D22/199
D852,175 S * 6/2019 Morita D14/239
D852,789 S * 7/2019 Pei D14/239
D853,403 S * 7/2019 Lyu D14/451
D877,743 S * 3/2020 Pei D14/451
D879,513 S * 3/2020 Pei D6/656.15
2013/0026310 A1* 1/2013 Belcourt-McCabe
G03B 21/54
248/125.1
2014/0113270 A1* 4/2014 Danis G09B 5/02
434/365
2019/0187754 A1* 6/2019 Janzen F16M 11/2021

* cited by examiner

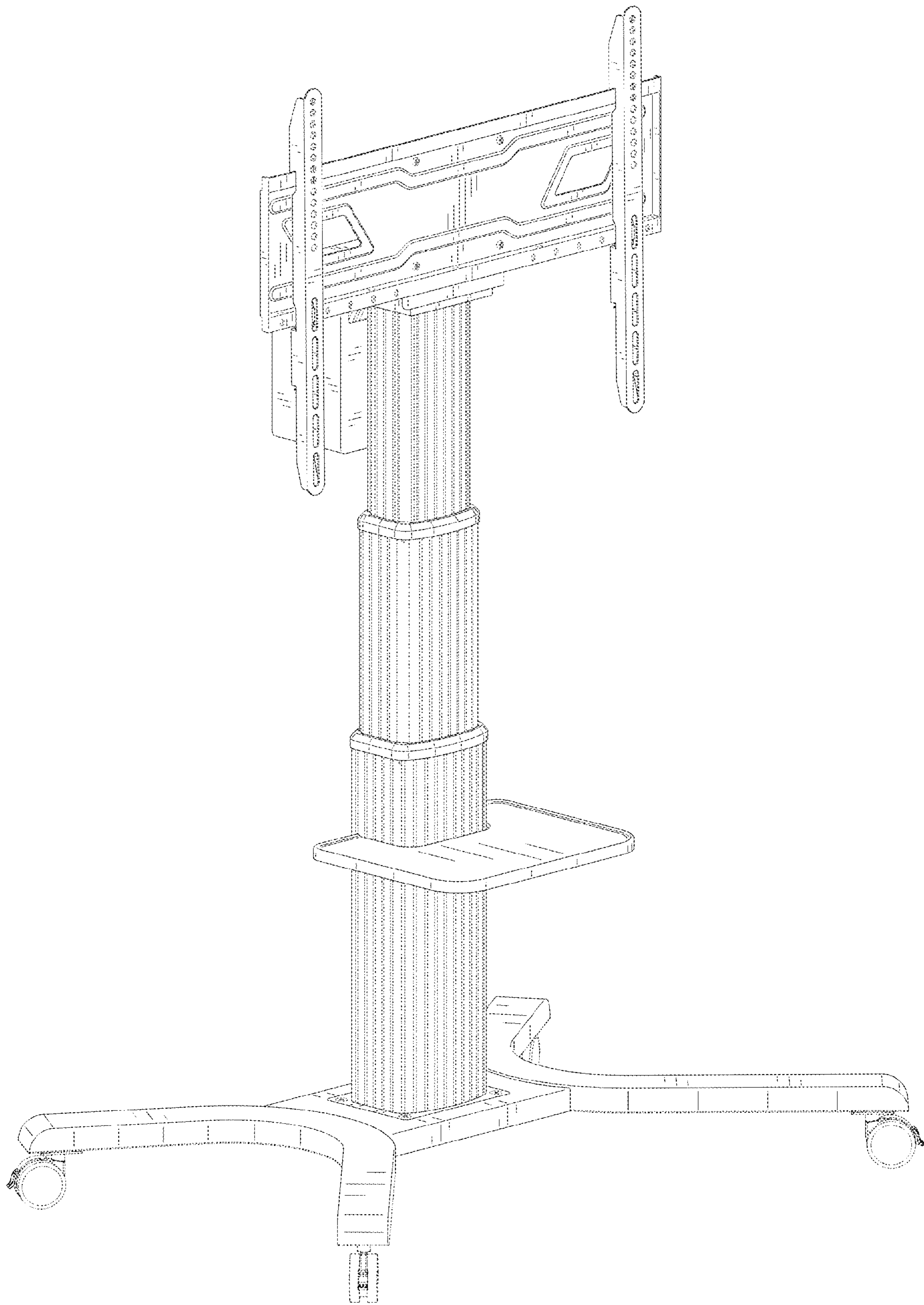


FIG. 1

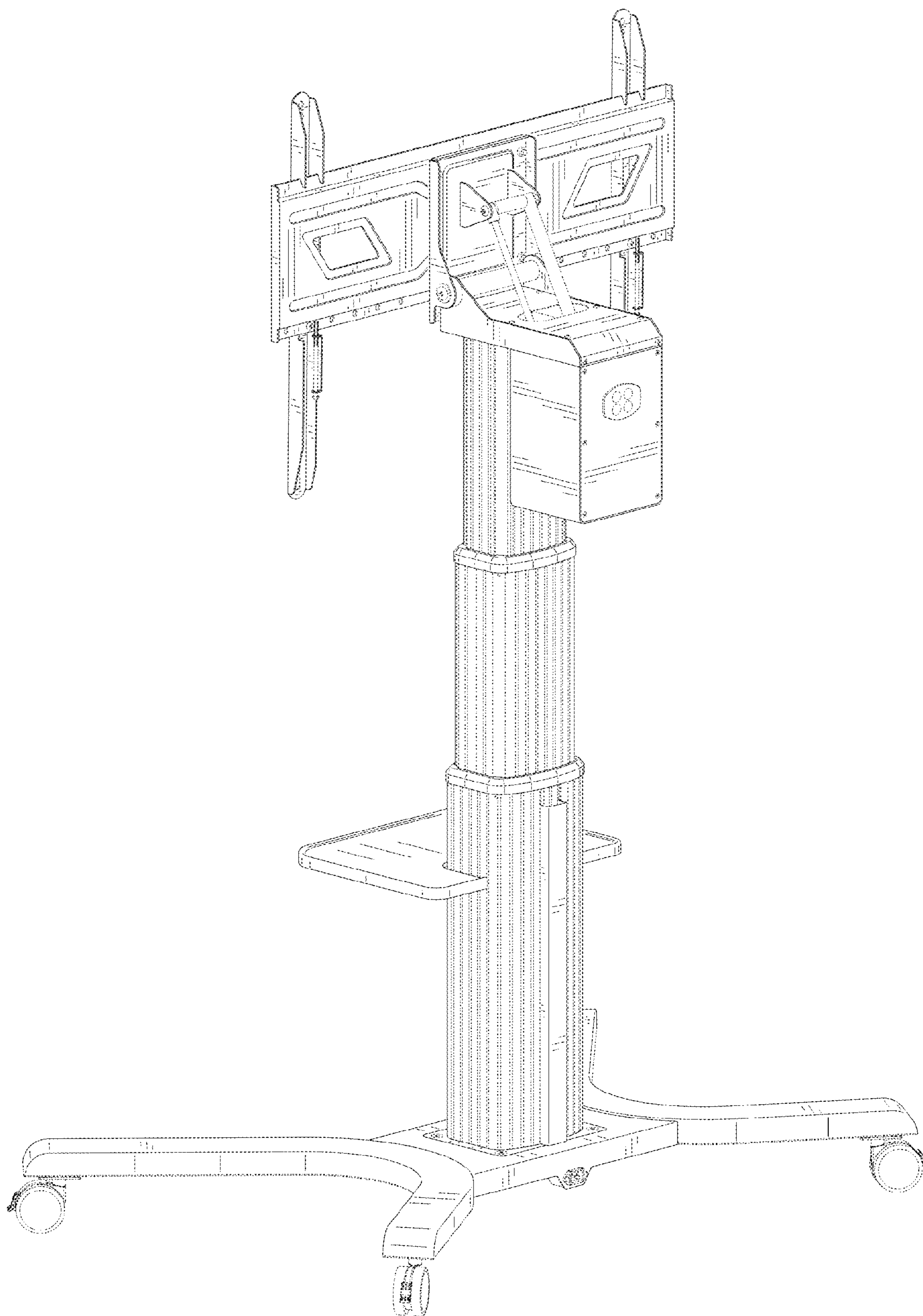


FIG. 2

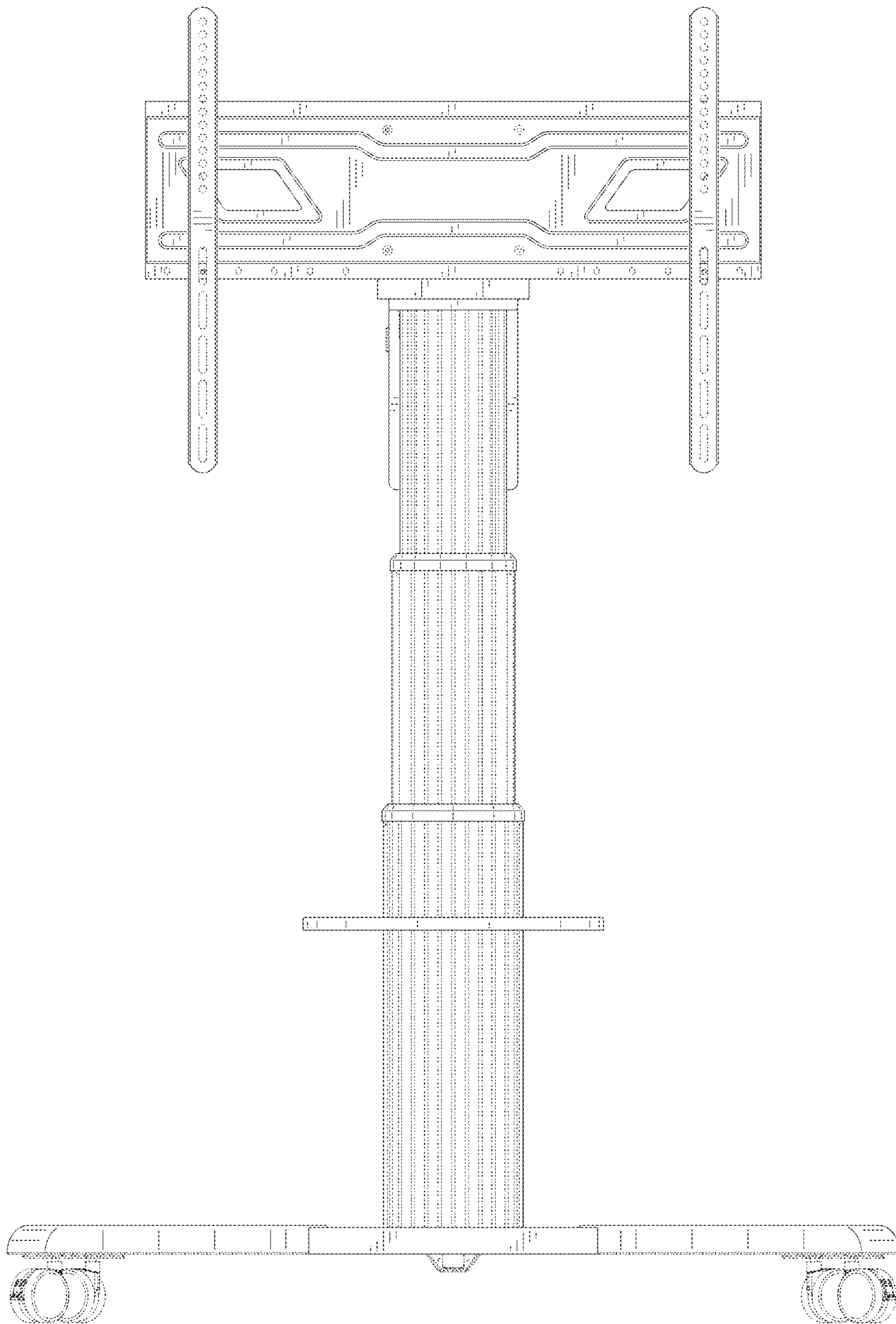


FIG. 3

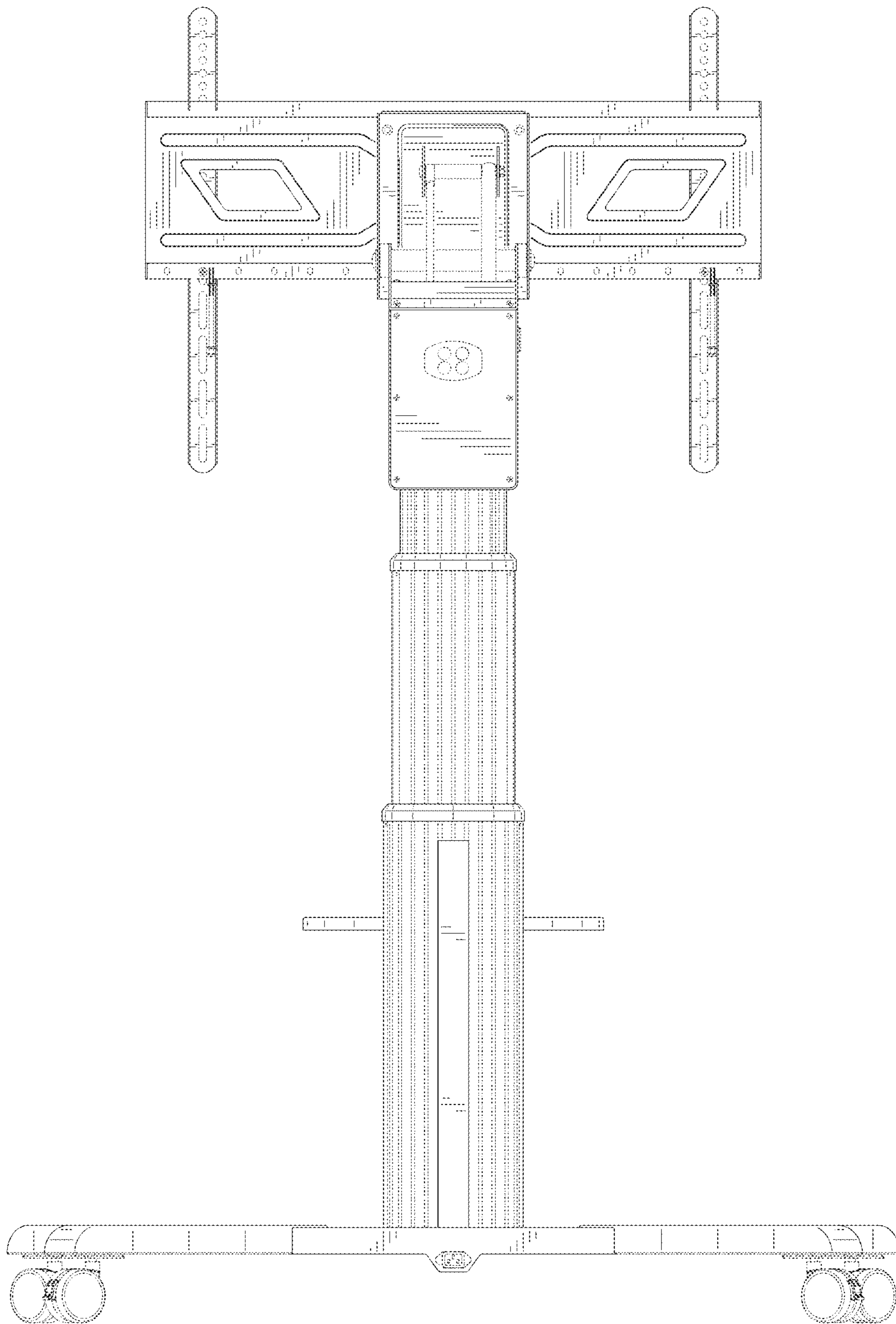


FIG. 4

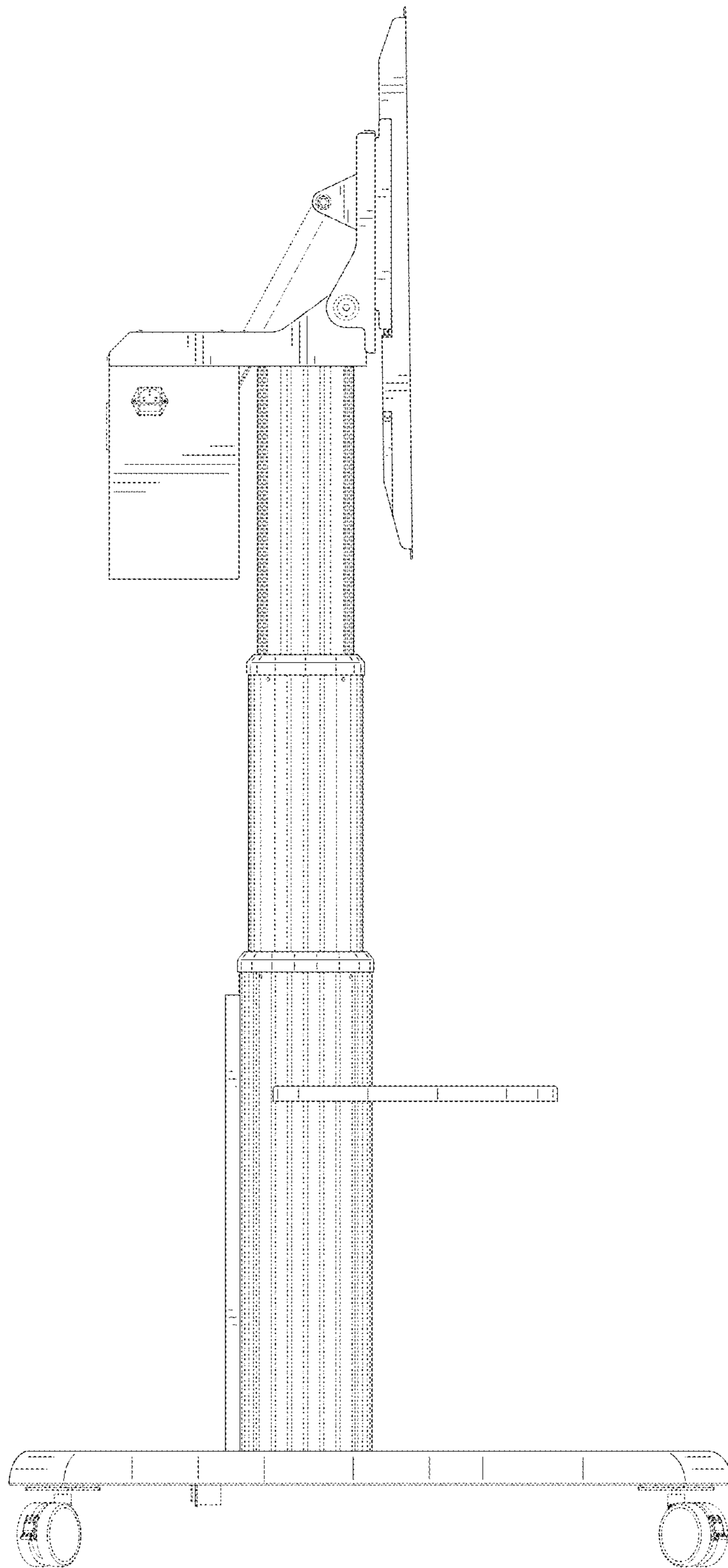


FIG. 5

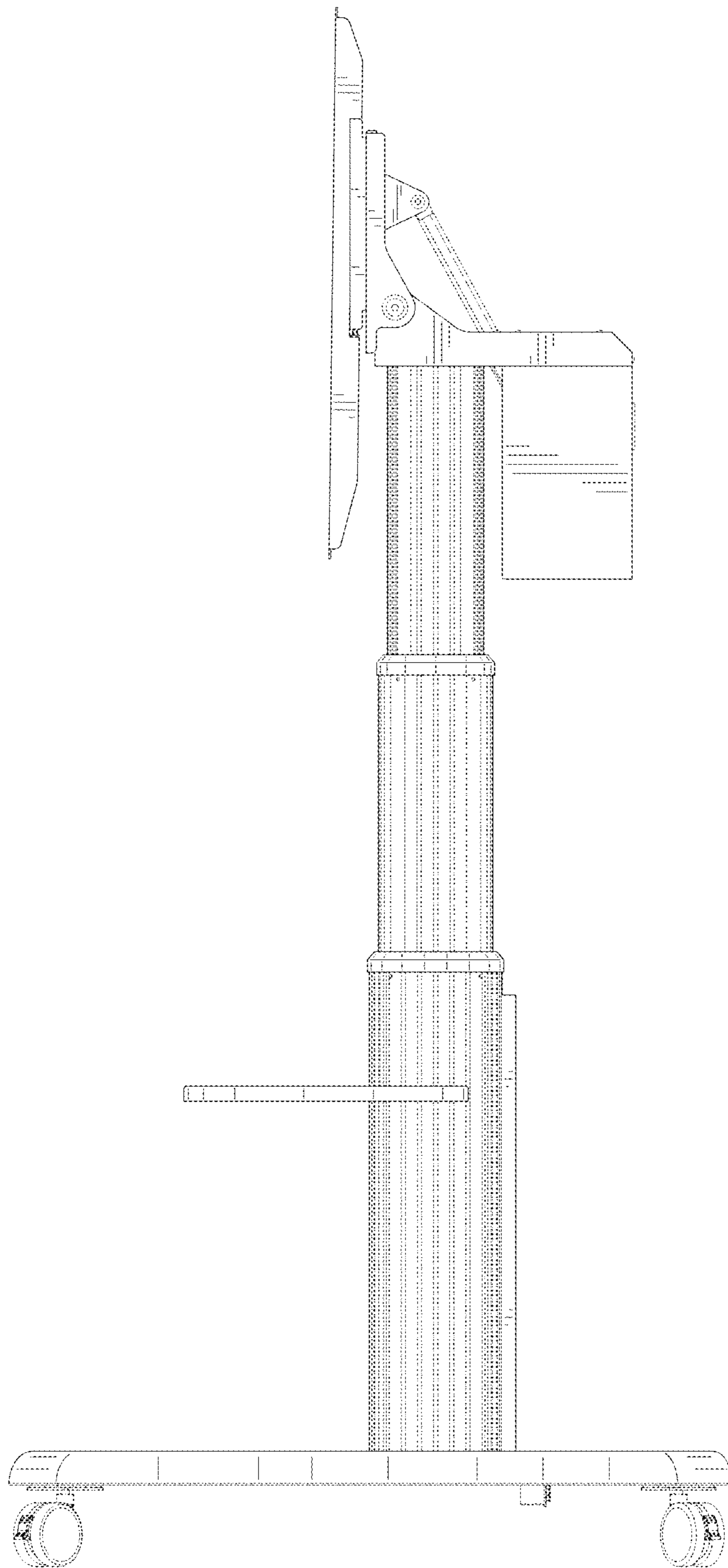


FIG. 6

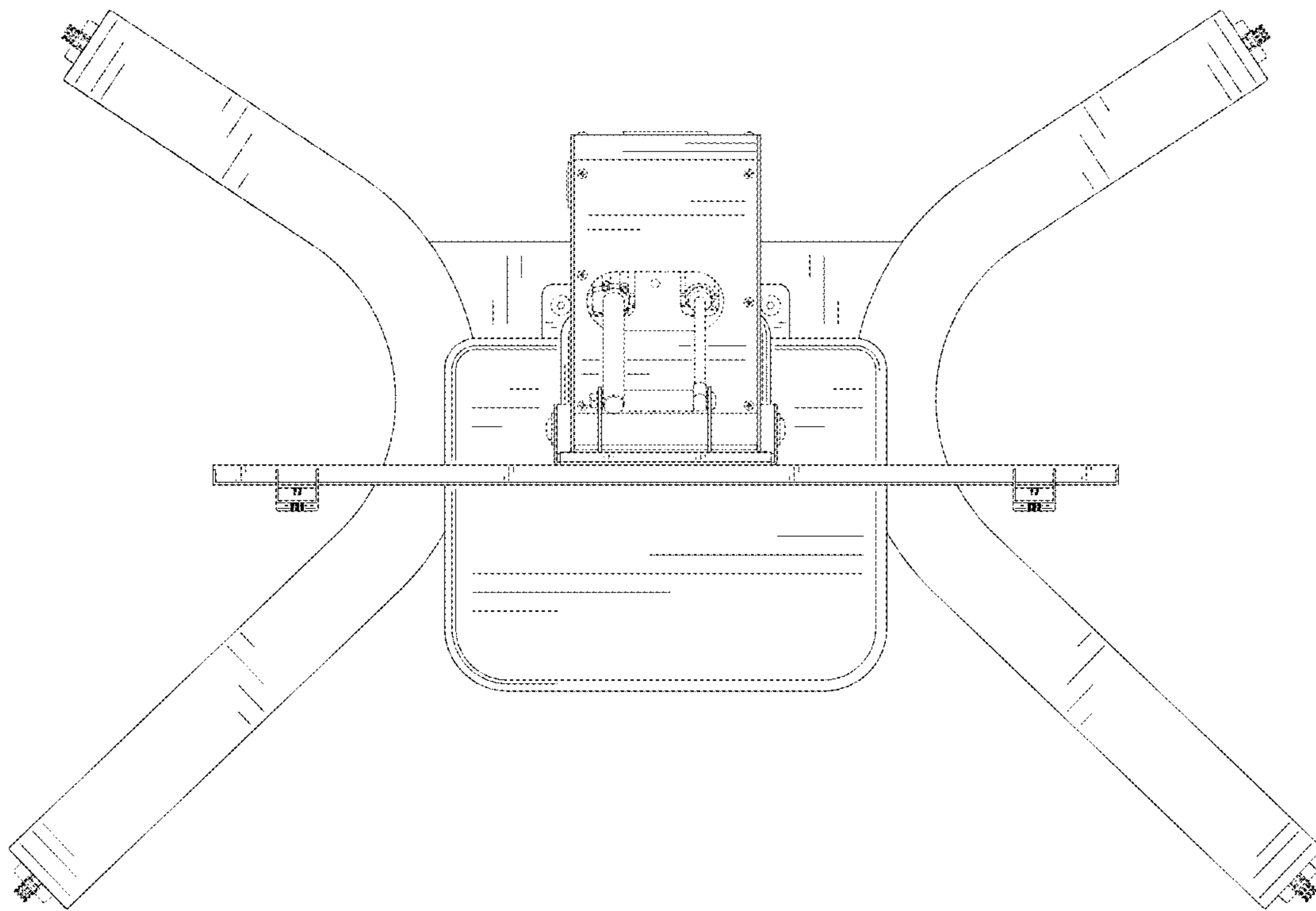


FIG. 7

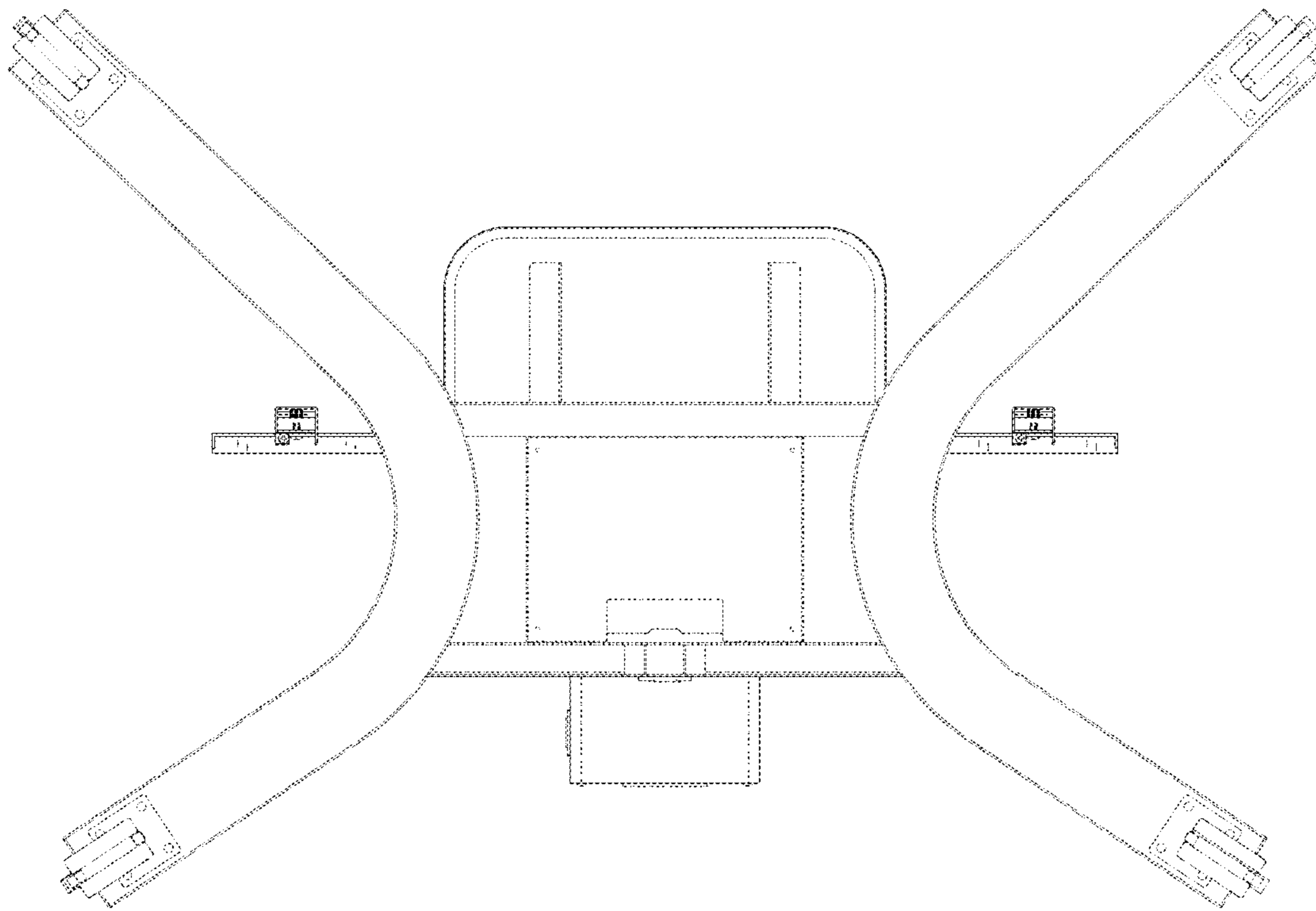


FIG. 8

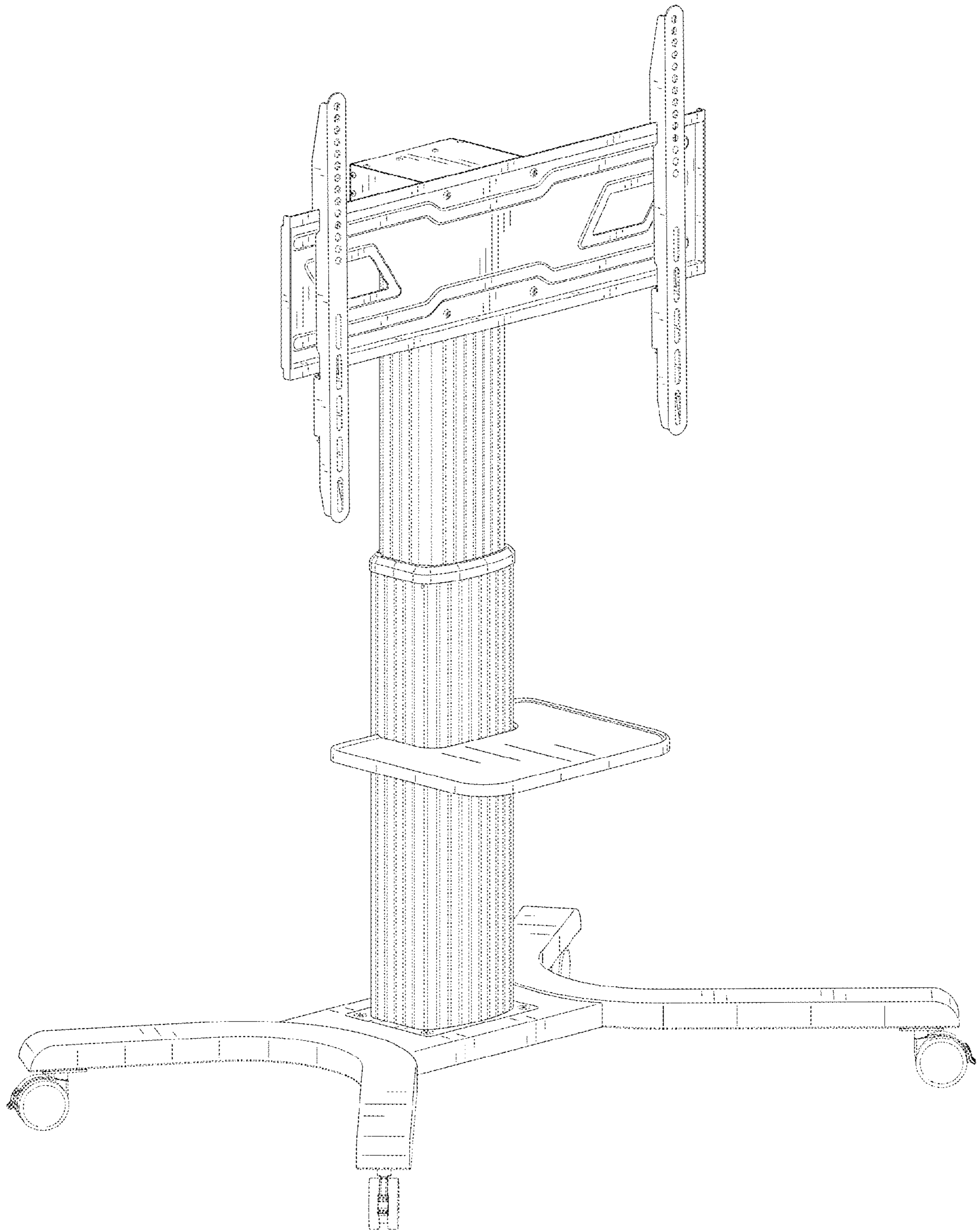


FIG. 9

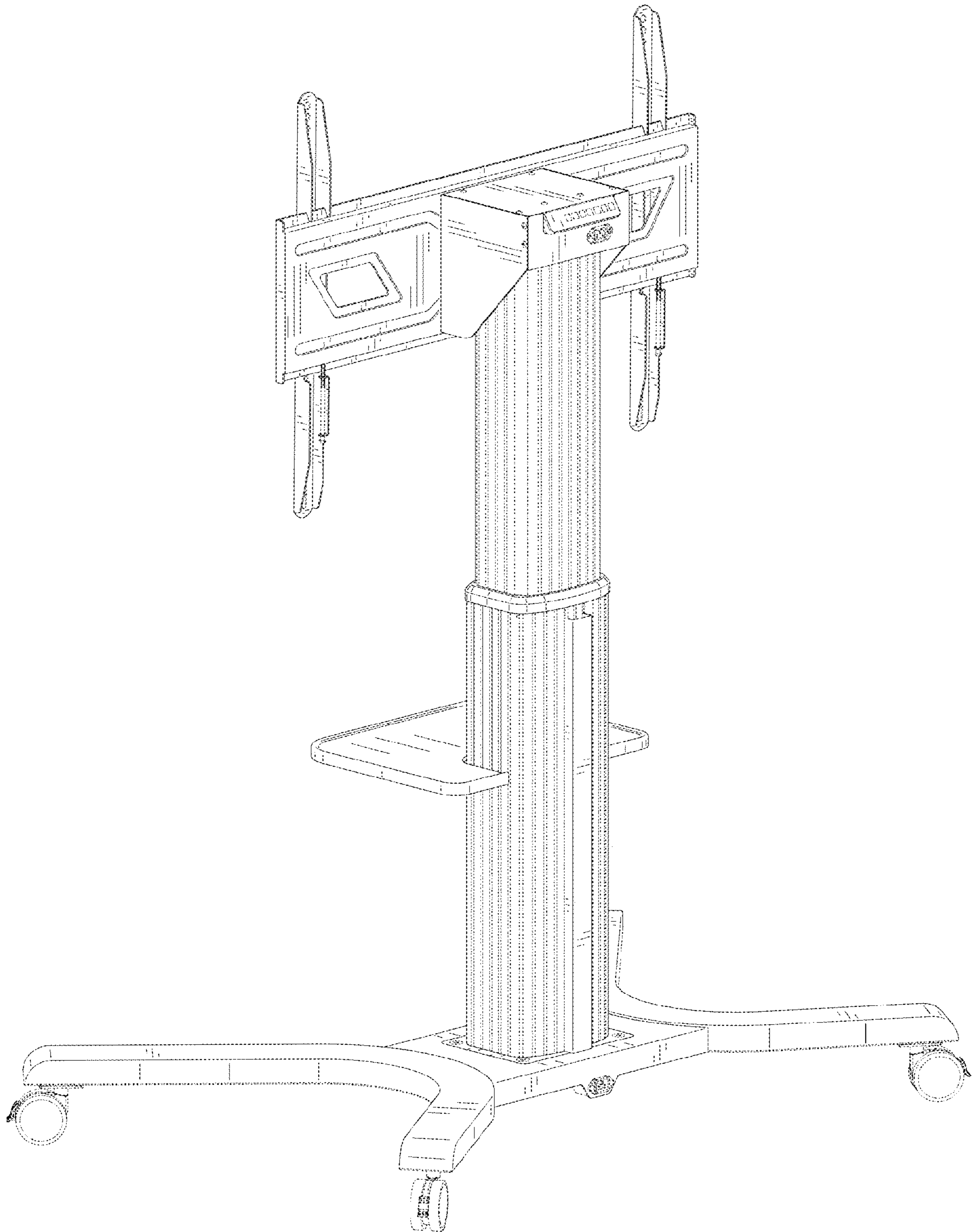


FIG. 10

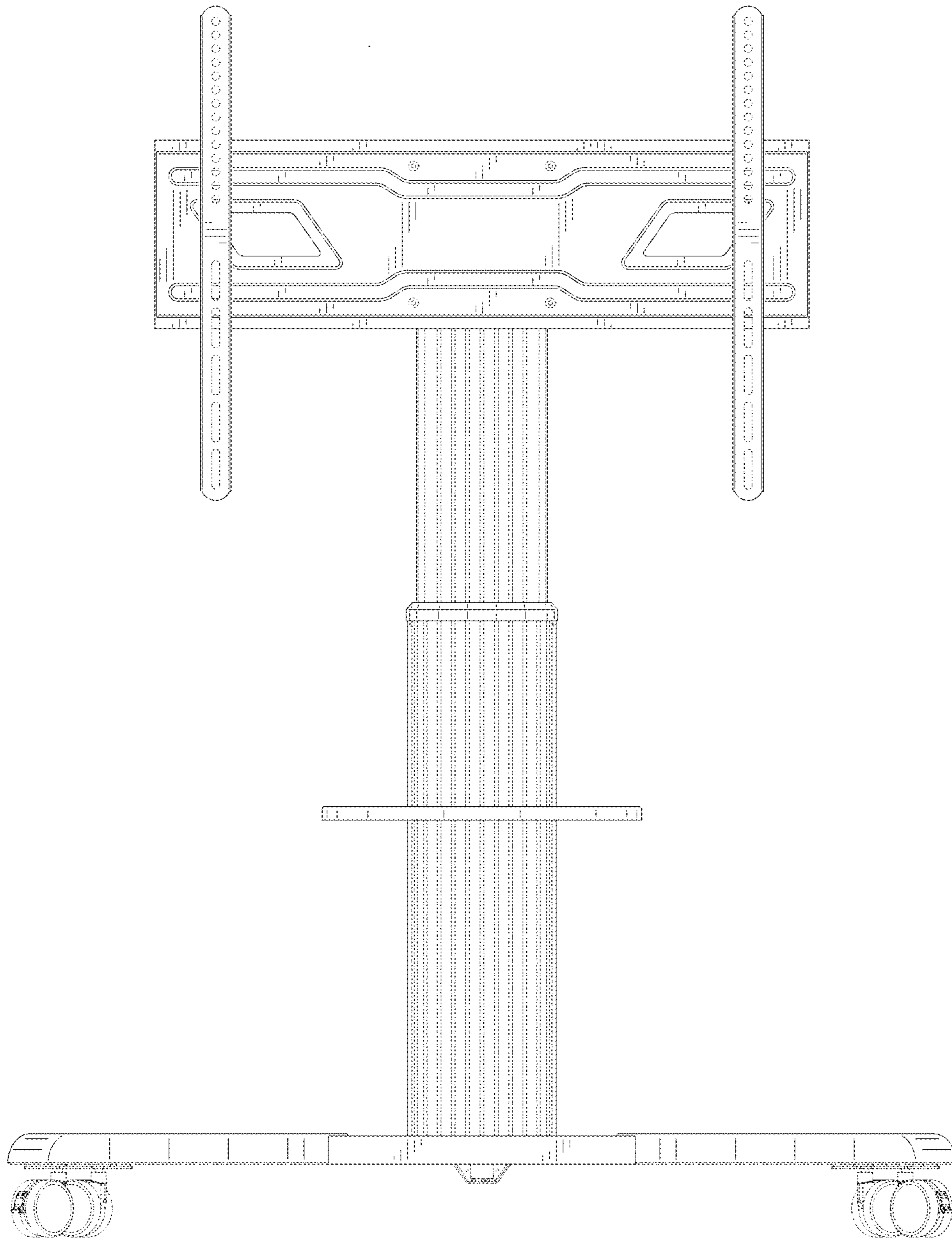


FIG. 11

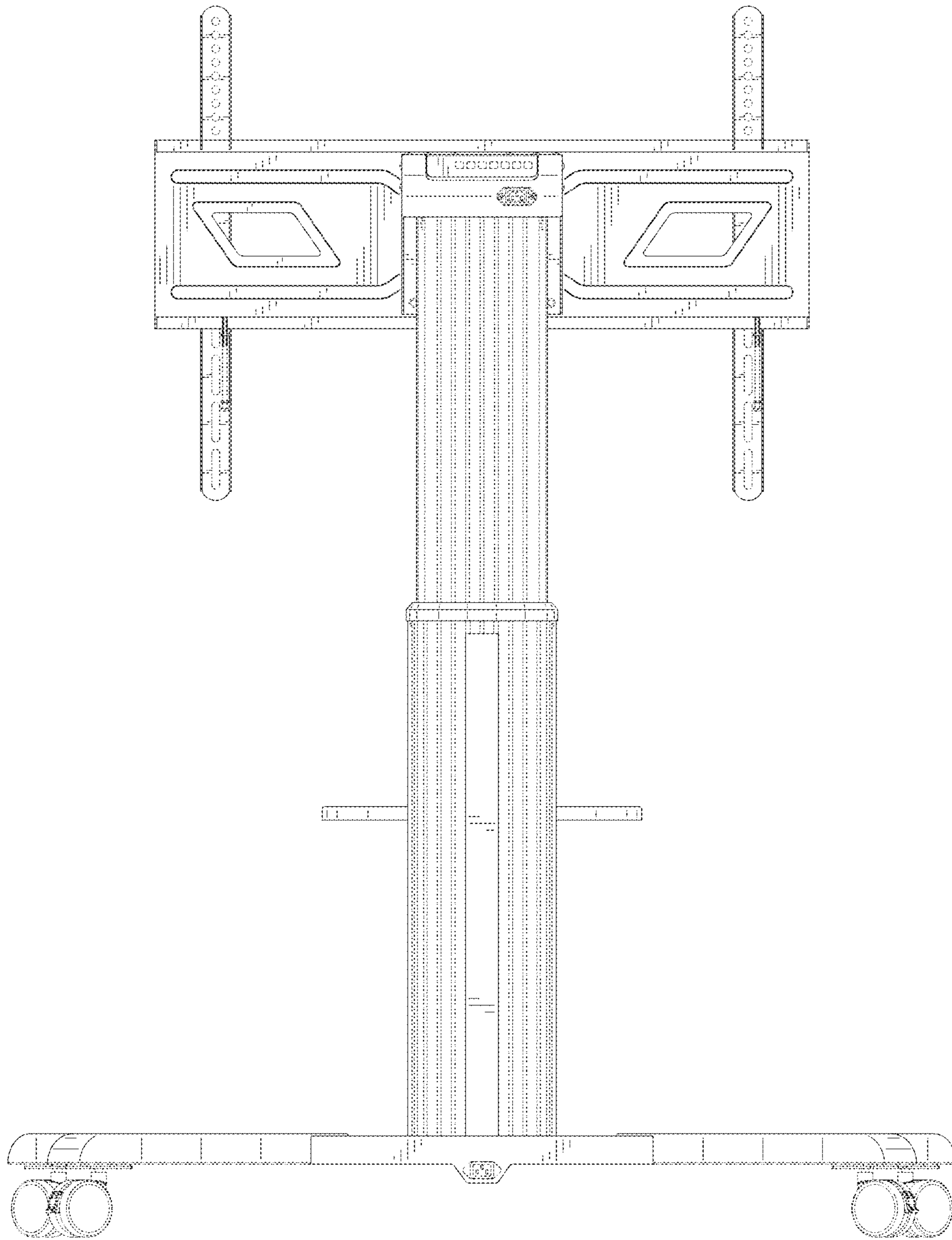


FIG. 12

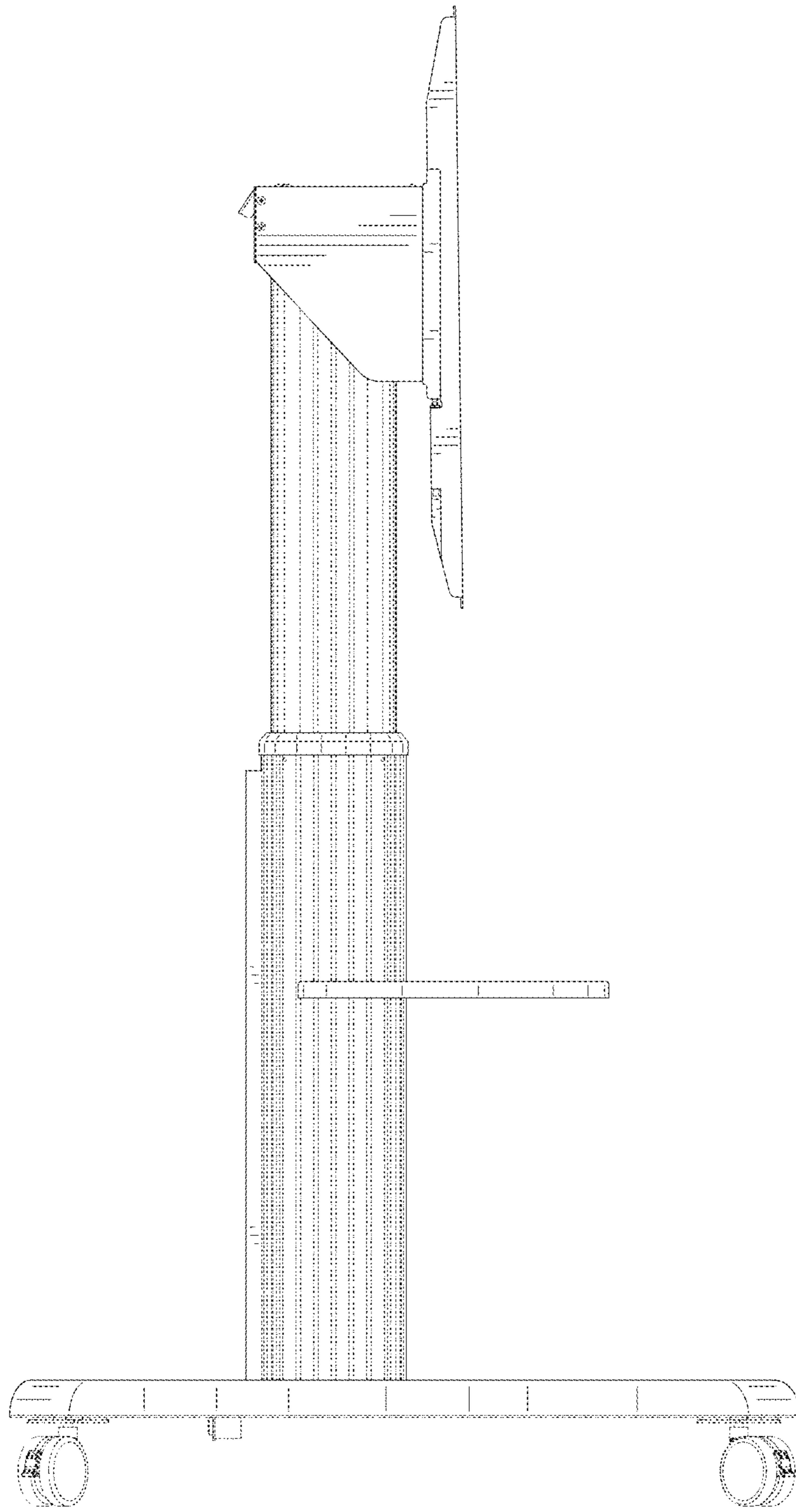


FIG. 13

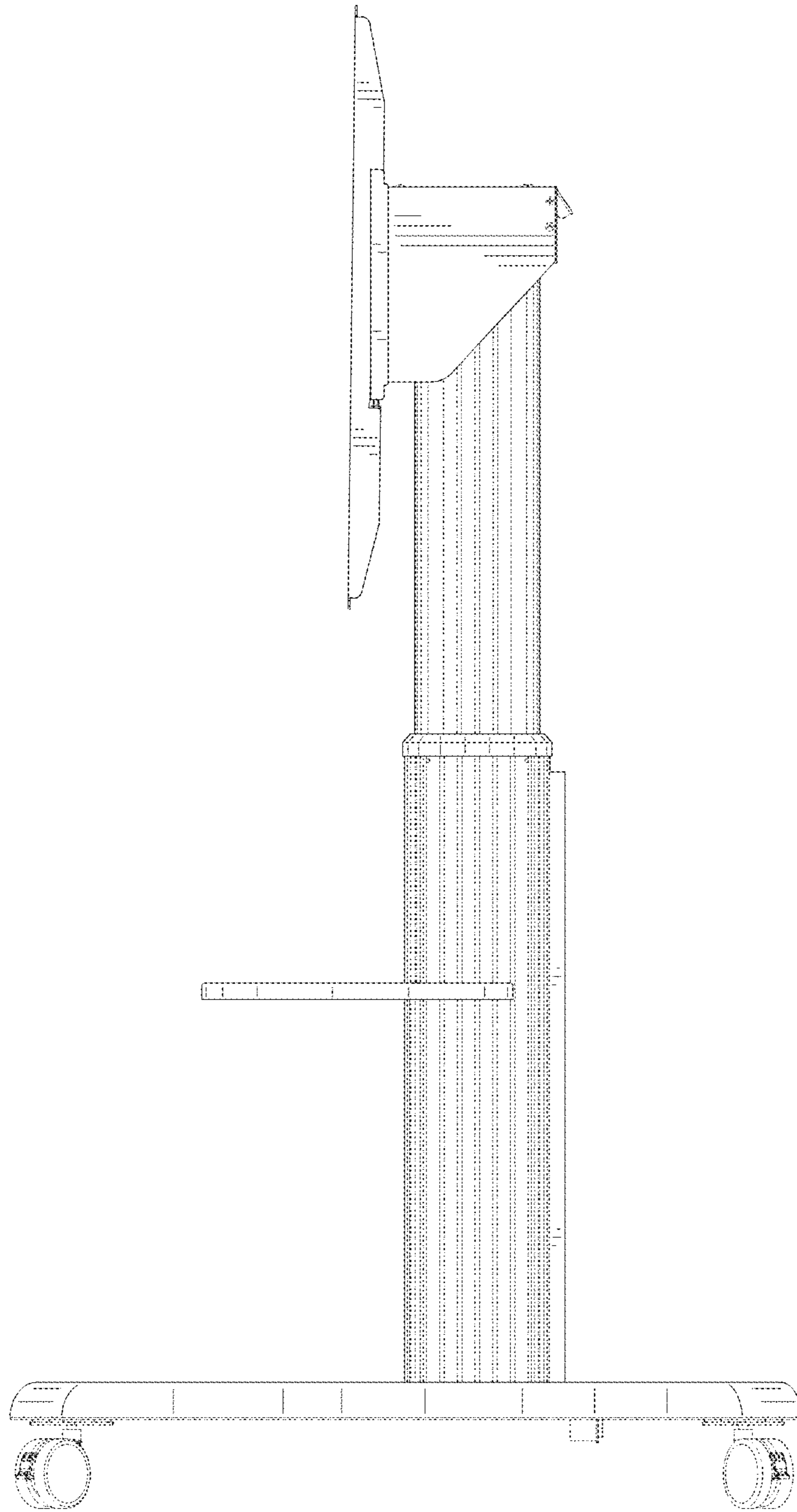


FIG. 14

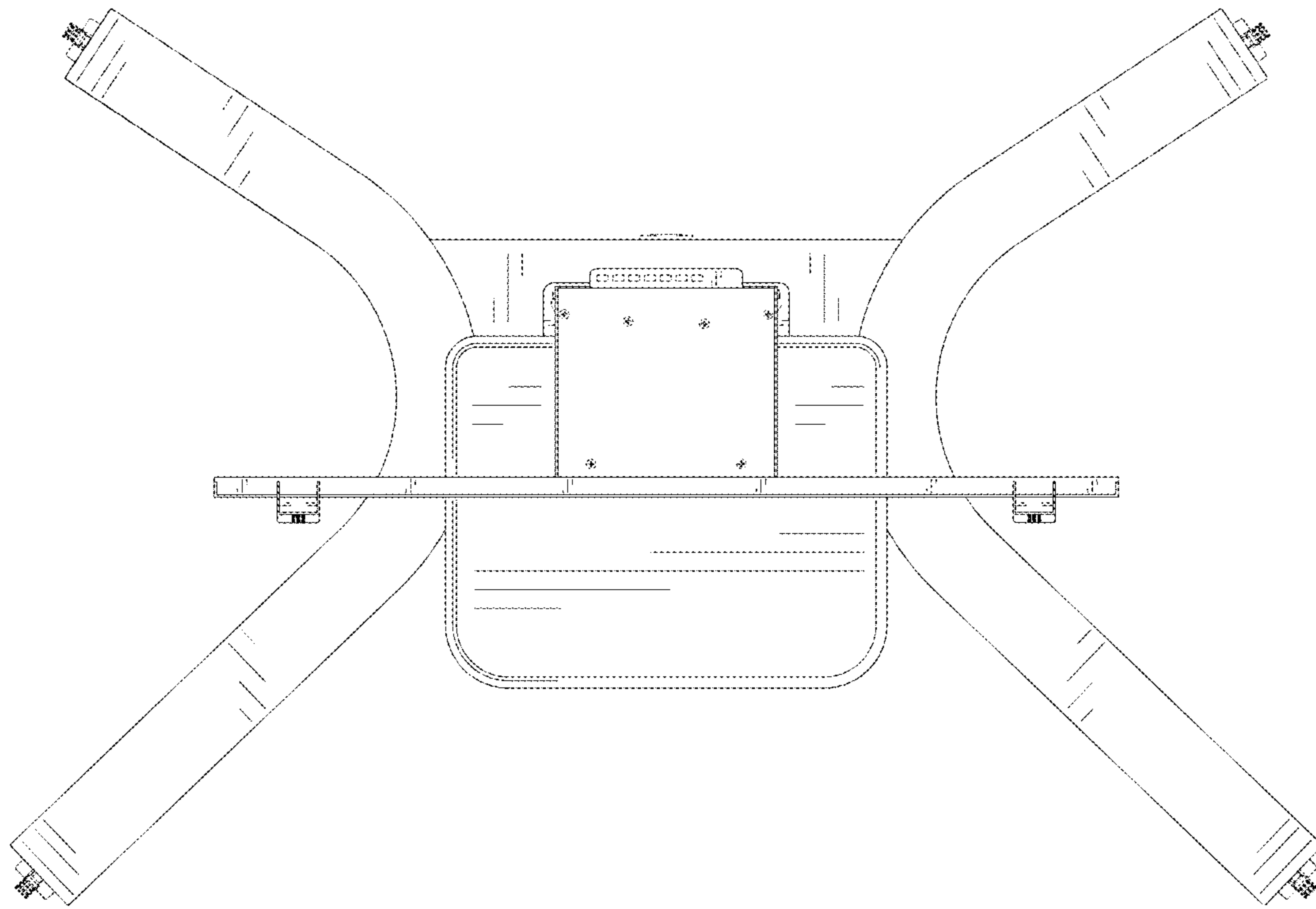


FIG. 15

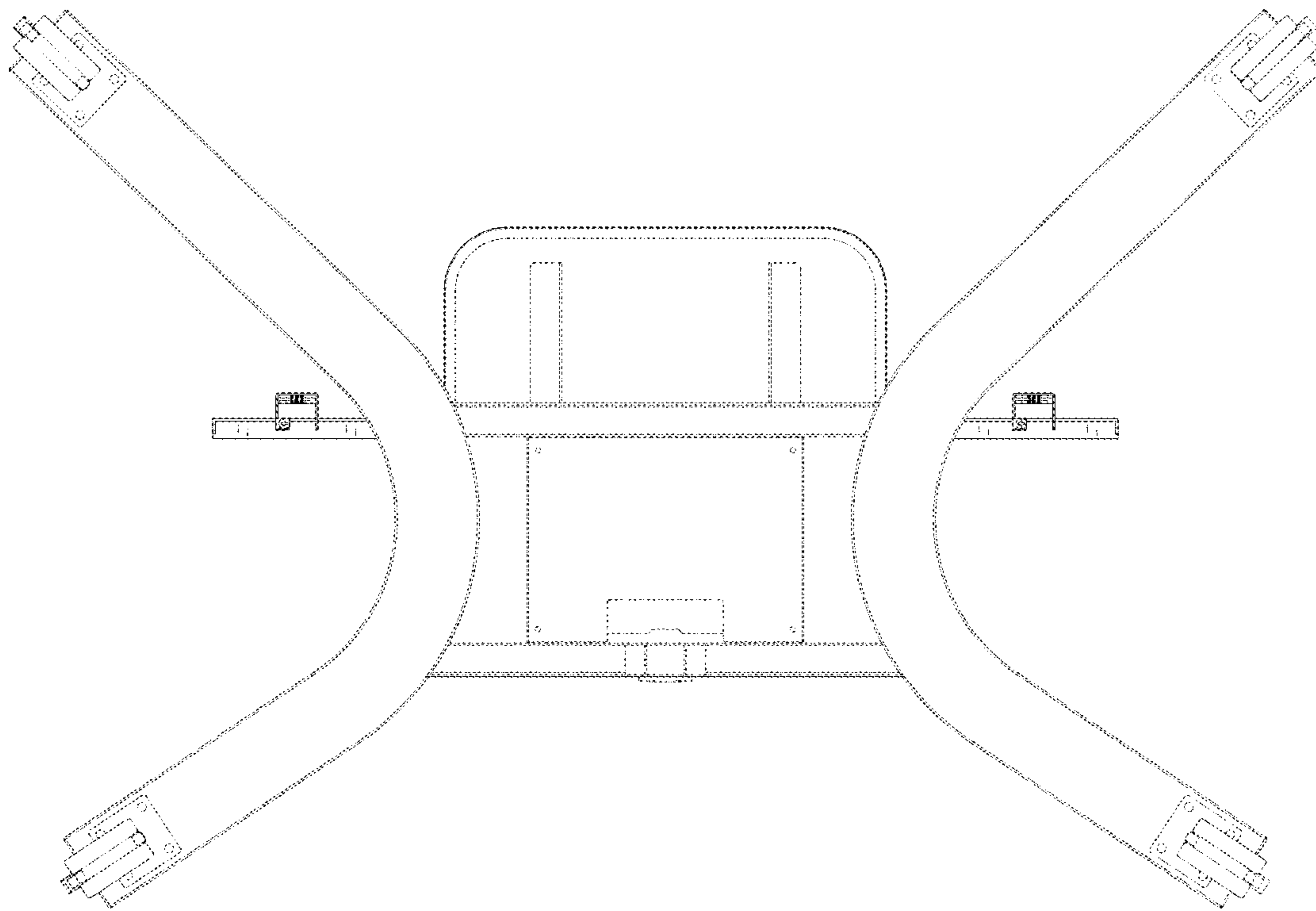


FIG. 16