



US00D914657S

(12) **United States Design Patent** (10) **Patent No.:** **US D914,657 S**
Pei (45) **Date of Patent:** **** Mar. 30, 2021**

(54) **MOBILE STAND FOR DISPLAY DEVICE**

3/126; H02G 2021/0335; F16B 47/00;
F16B 47/006; A47G 1/17; A47K 2201/00
See application file for complete search history.

(71) Applicant: **Xu Bo Pei**, Shenzhen (CN)

(72) Inventor: **Xu Bo Pei**, Shenzhen (CN)

(56) **References Cited**

(**) Term: **15 Years**

U.S. PATENT DOCUMENTS

(21) Appl. No.: **29/721,376**

D151,272 S *	10/1948	Kipp	D6/681.1
3,532,224 A *	10/1970	Grubb	A47F 5/13
				211/206
4,175,602 A *	11/1979	Cavalari	A45C 13/34
				141/390
D278,354 S *	4/1985	Mahowald	D19/91
D587,020 S *	2/2009	Goodman	D6/313
D591,085 S *	4/2009	Burns	D6/681.1
D615,072 S *	5/2010	Saitou	D14/239
D729,554 S *	5/2015	Denby	D6/681
D790,892 S *	7/2017	Chung	D6/681
D847,127 S *	4/2019	Ostensen	D14/239
D853,403 S *	7/2019	Lyu	D14/451

(22) Filed: **Jan. 21, 2020**

(30) **Foreign Application Priority Data**

Nov. 30, 2019 (CN) 201930666564.2

(51) **LOC (13) Cl.** **14-03**

(52) **U.S. Cl.**
USPC **D14/239**

(58) **Field of Classification Search**

USPC D14/371-382, 125-129, 336, 337,
D14/447-452, 492, 335, 376-382, 239,
D14/457, 439-441, 432, 251-253;
D8/349, 354, 363, 373, 376, 380;
D21/333; D12/415; D3/218; 348/180,
348/184, 325, 739, 825; D6/343, 349,
D6/681, 681.2, 685, 692.6

CPC G06F 3/0412; G06F 3/016; G06F 3/0488;
G06F 3/011; G06F 3/038; G06F 3/03543;
G06F 3/0338; G06F 3/0202; G06F
3/0219; G06F 3/0213; G06F 1/1616;
G06F 3/023; G06F 3/04883; G02F
1/13338; G02F 1/1313; G02F 1/1333;
G02F 1/135; G02F 1/132; G02F
1/133308; G02F 1/134309; G02F
1/13718; G09G 3/3648; G06K 15/1252;
B41J 2/465; G03F 7/70291; G02B
27/0172; G02B 5/30; G02B 2027/0118;
G02B 27/0101; F16M 13/02; F16M
13/00; F16M 11/10; F16M 11/04; F16M
2200/08; F16M 11/2021; A47B 21/0314;
A47B 88/044; A47B 2021/0335; H02G

(Continued)

Primary Examiner — Katie Jane Stoffko
(74) *Attorney, Agent, or Firm* — JCIPRNET

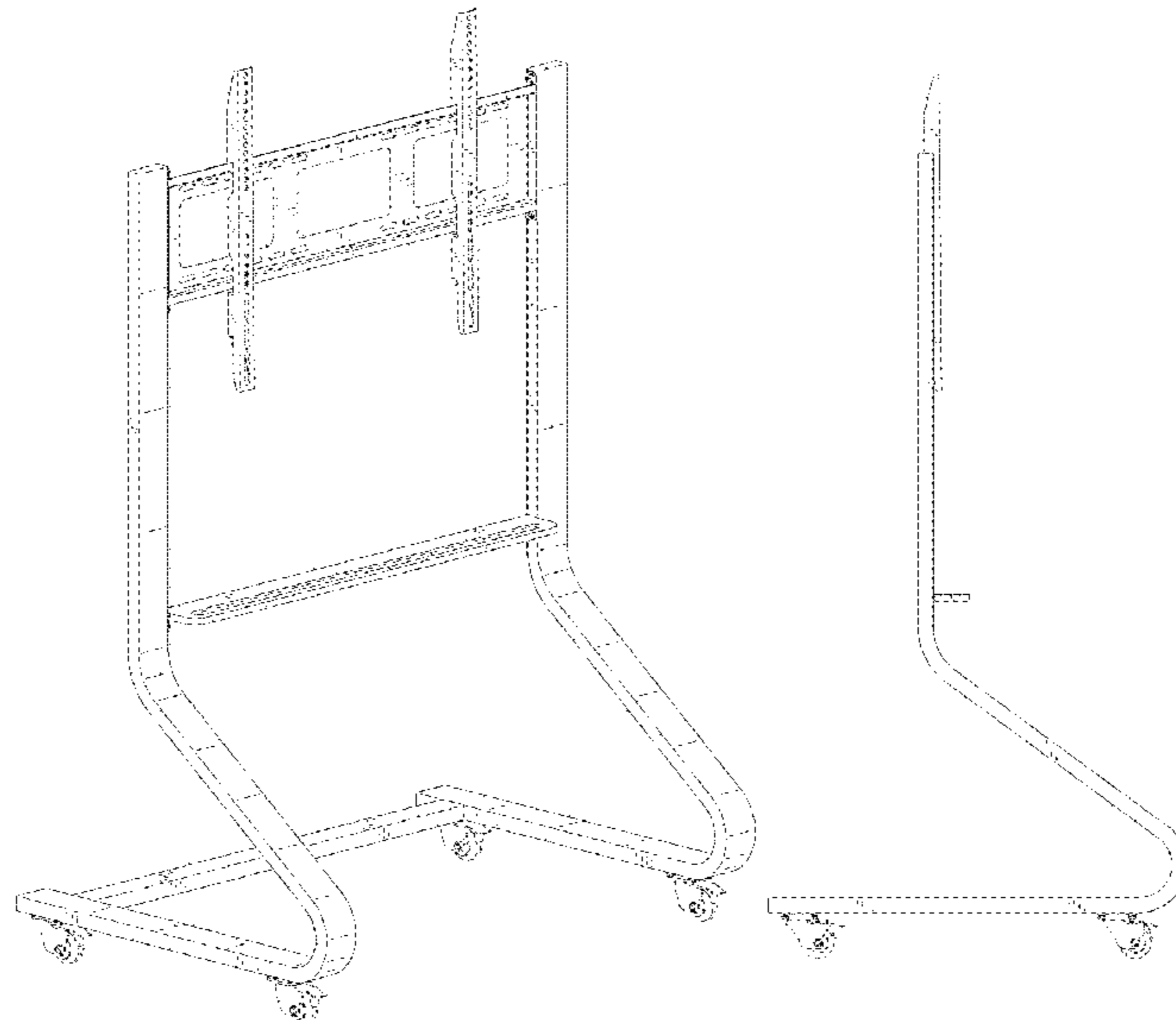
(57) **CLAIM**

The ornamental design for a mobile stand for display device,
as shown and described.

DESCRIPTION

FIG. 1 is a perspective view of a mobile stand for display device showing my new design;
FIG. 2 is another perspective view thereof;
FIG. 3 is a front view thereof;
FIG. 4 is a rear view thereof;
FIG. 5 is a left side view thereof;
FIG. 6 is a right side view thereof;
FIG. 7 is a top view thereof; and,
FIG. 8 is a bottom view thereof.
The broken lines shown in FIGS. 1-8 illustrate portions of the mobile stand for display device that form no part of the claimed design.

1 Claim, 7 Drawing Sheets



(56)

References Cited

U.S. PATENT DOCUMENTS

D874,449 S * 2/2020 Ahrens D14/239
D876,861 S * 3/2020 Pei D6/656.17

* cited by examiner

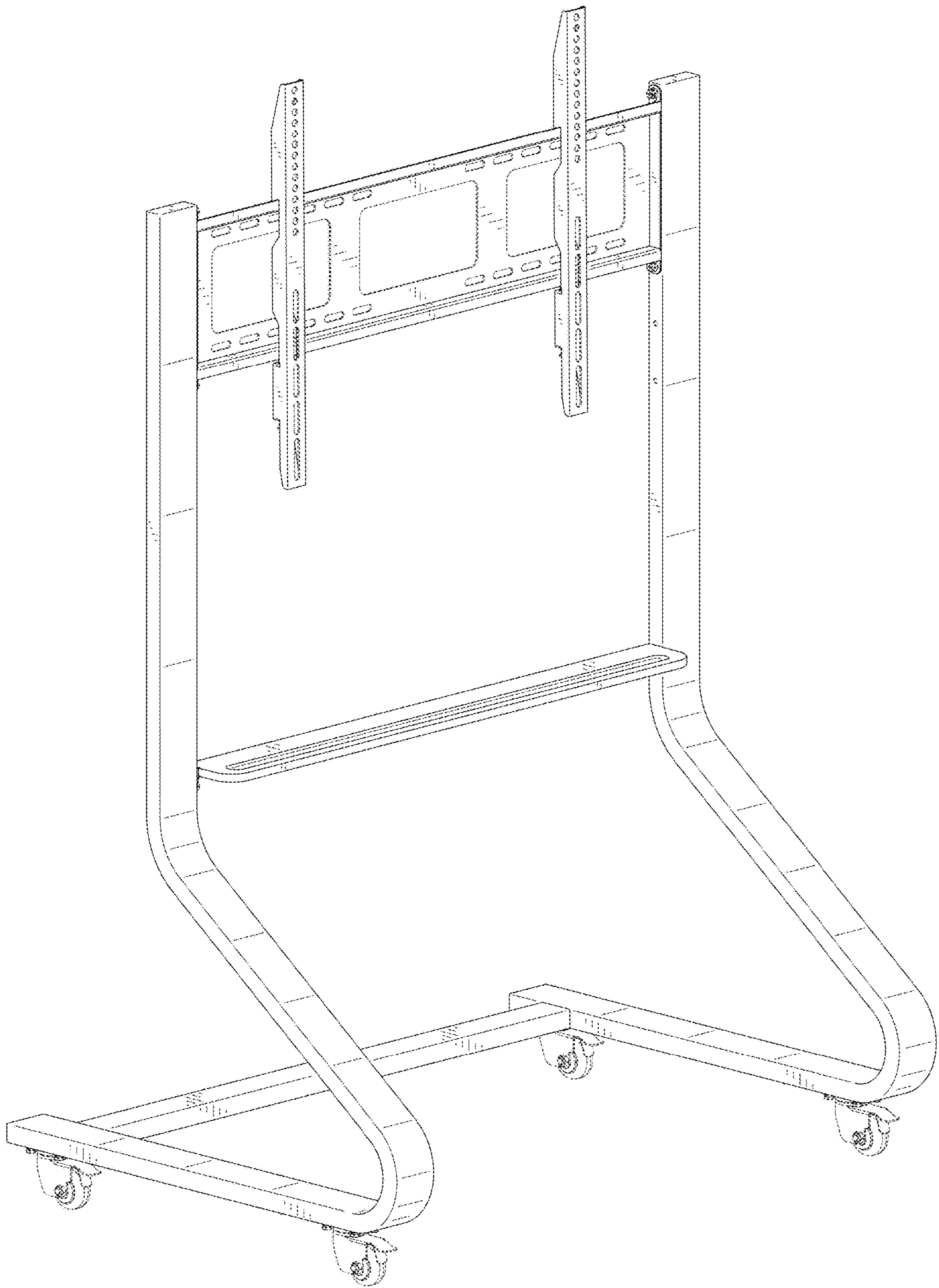


FIG. 1

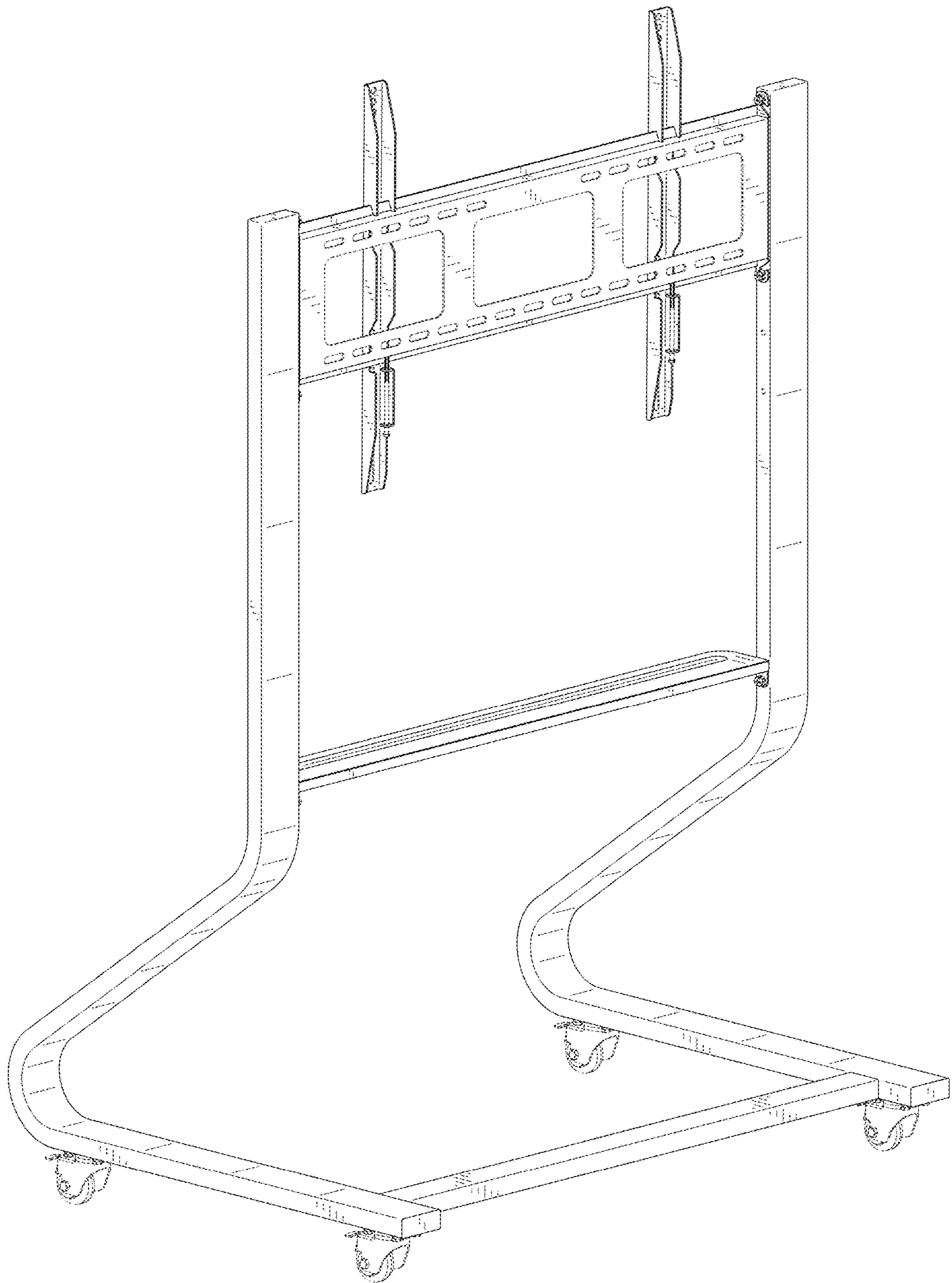


FIG. 2

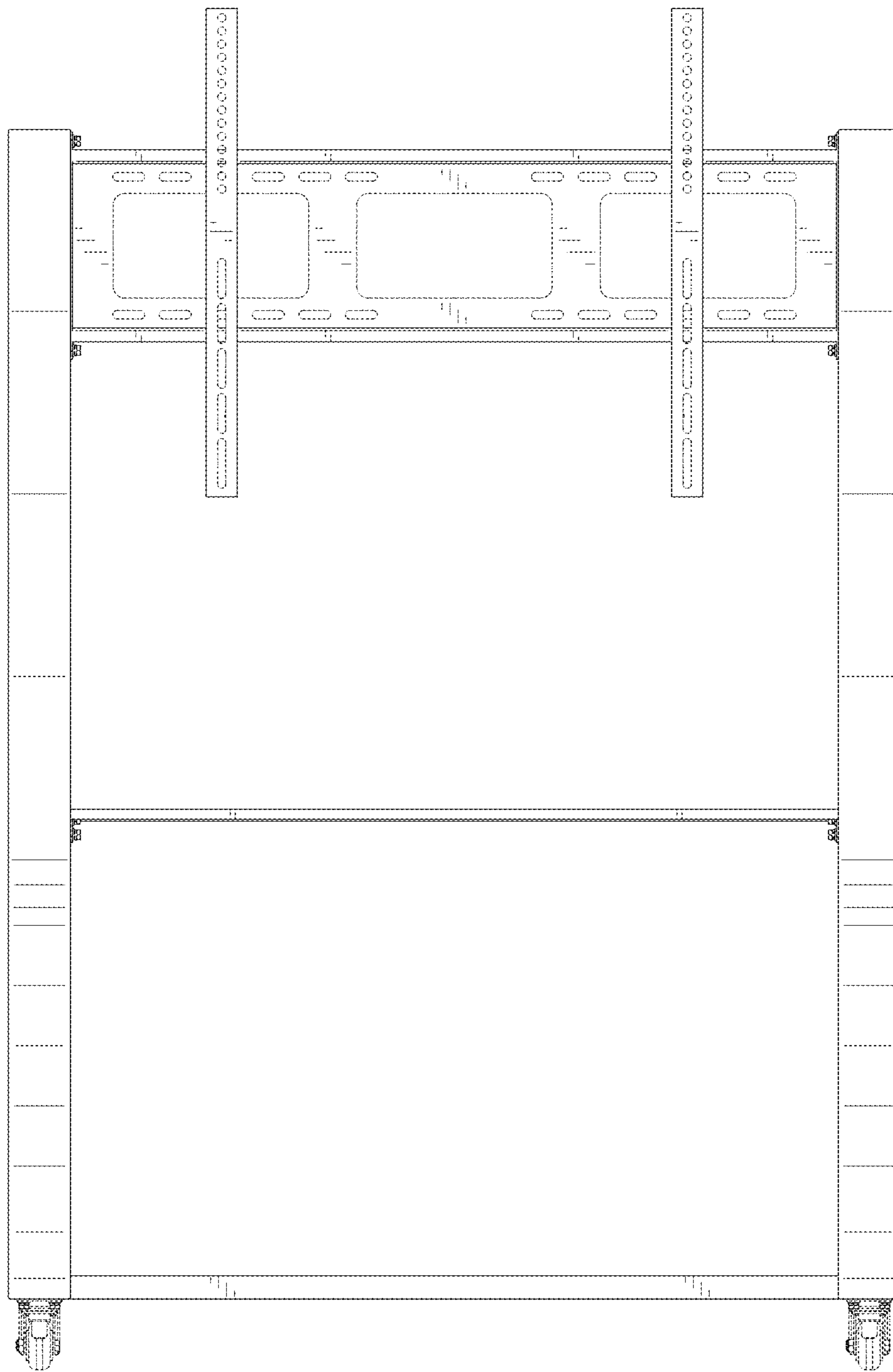


FIG. 3

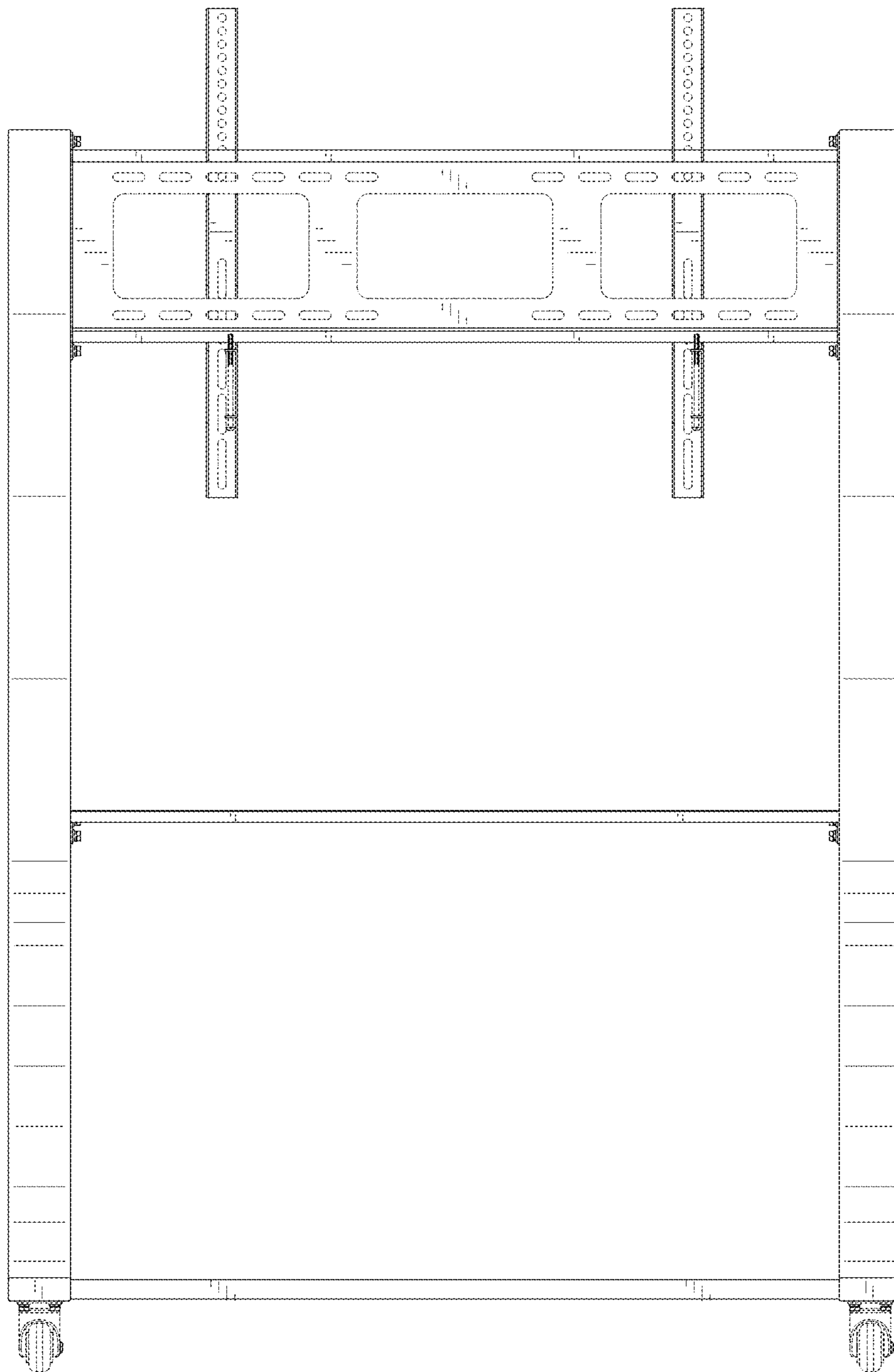


FIG. 4

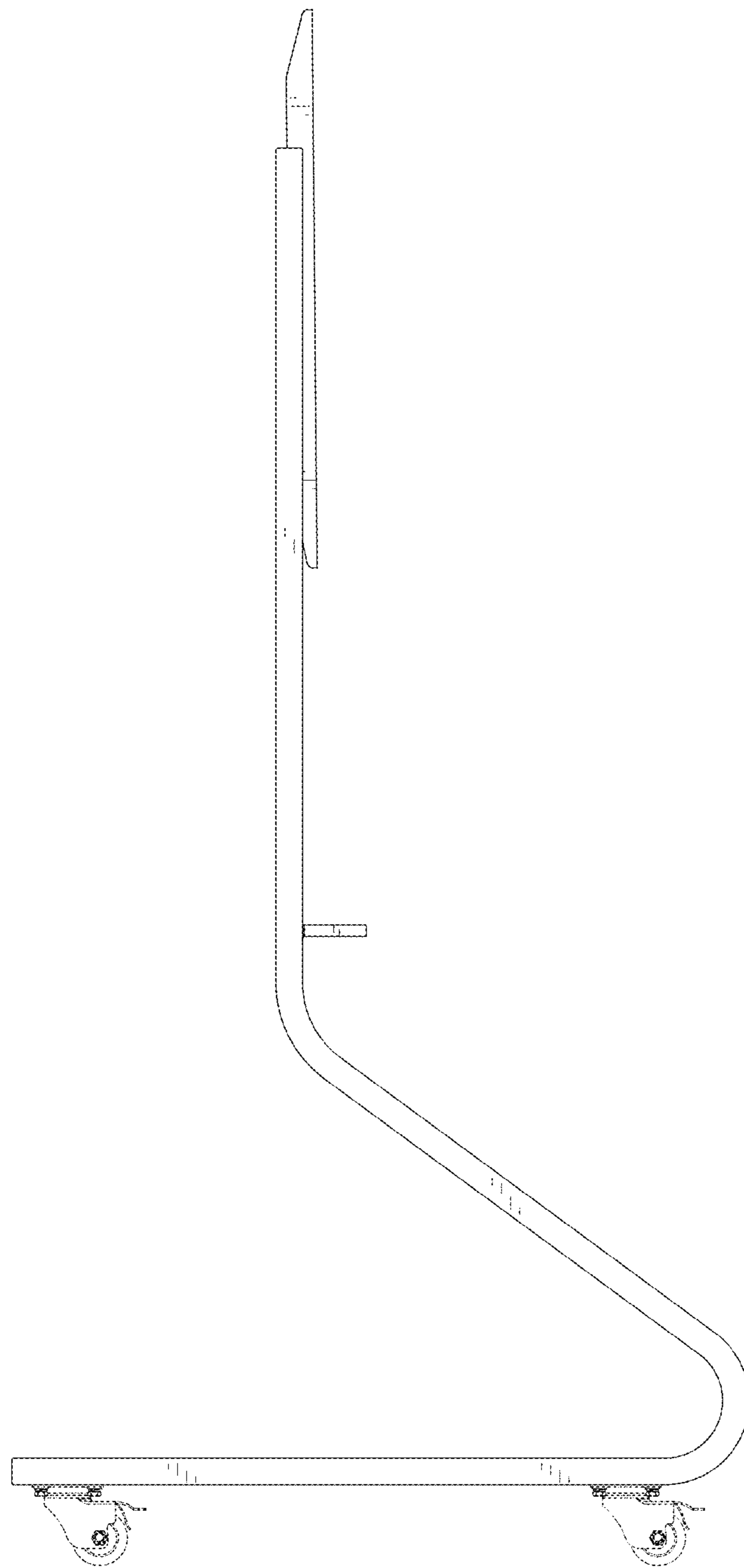


FIG. 5

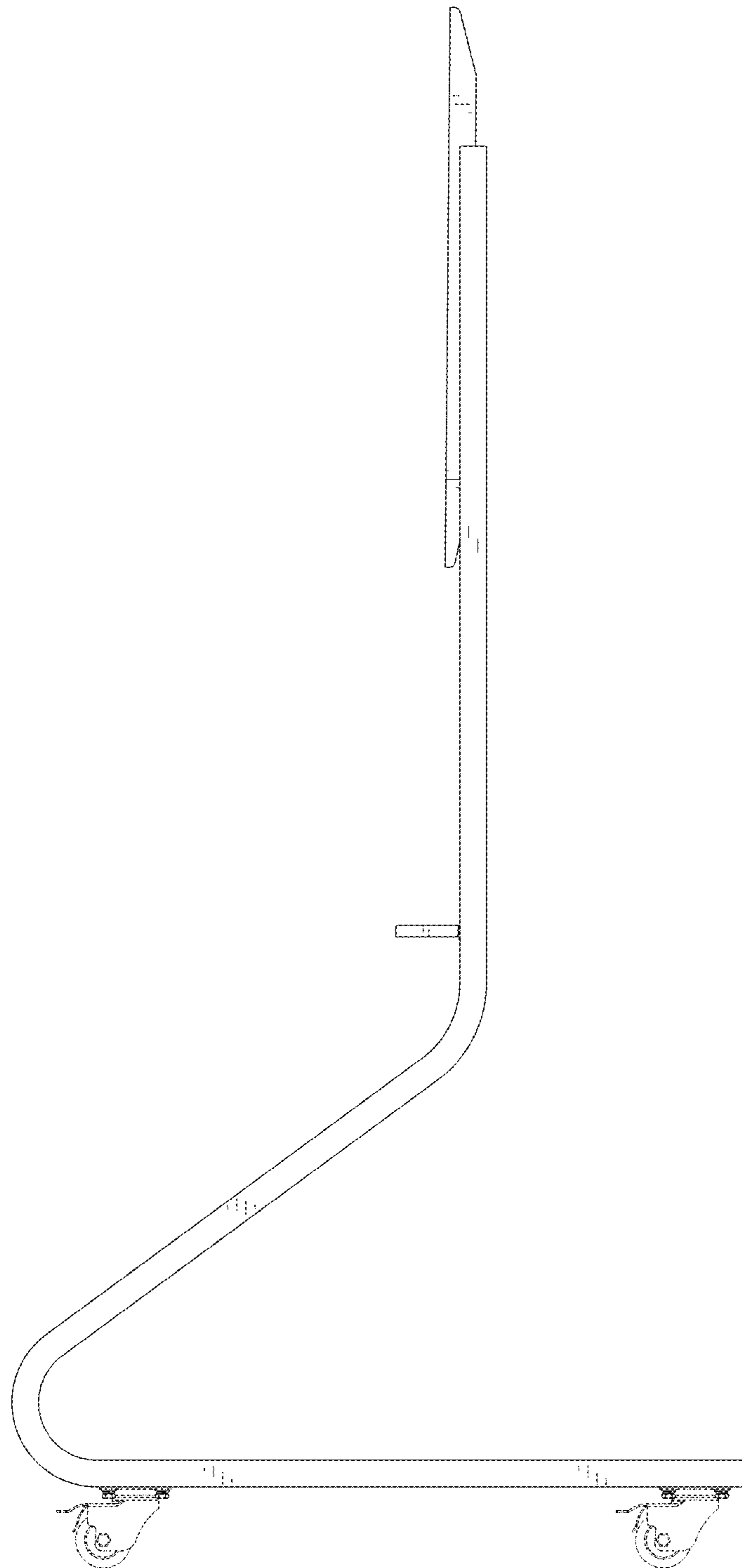


FIG. 6

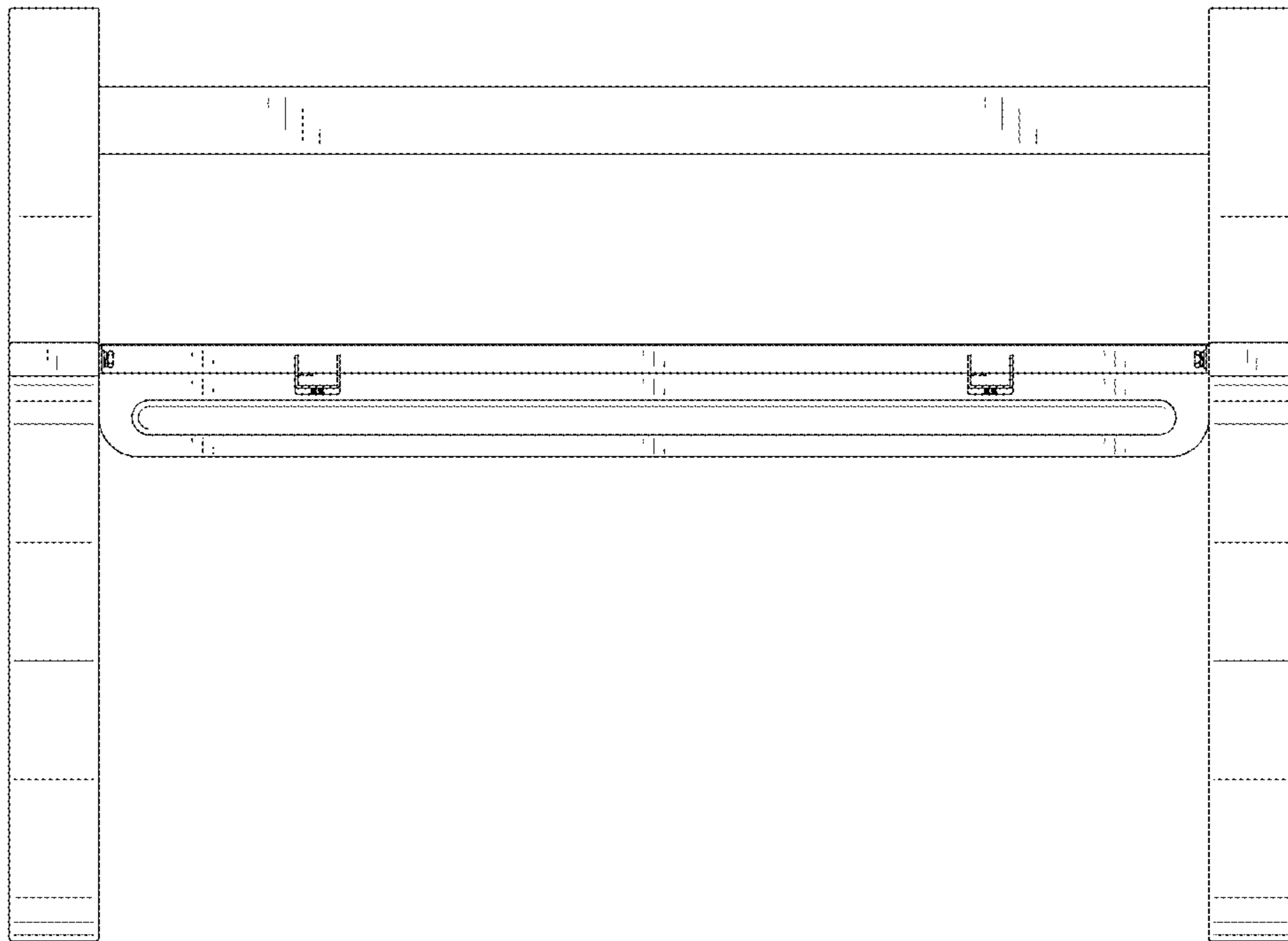


FIG. 7

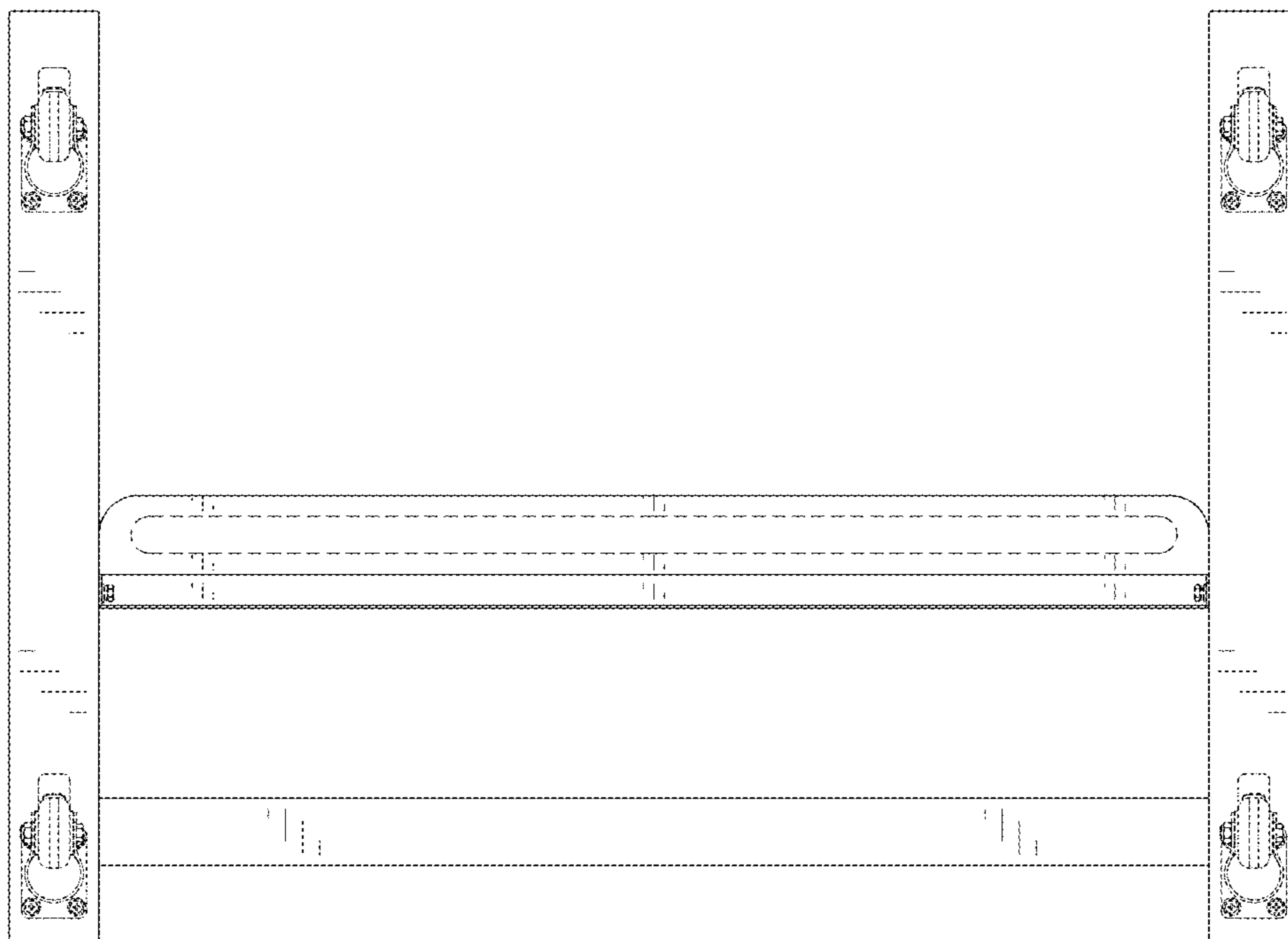


FIG. 8