



US00D914656S

(12) **United States Design Patent** (10) **Patent No.:** **US D914,656 S**  
**Pei** (45) **Date of Patent:** **\*\* Mar. 30, 2021**

(54) **MOBILE STAND FOR DISPLAY DEVICE**

A47B 88/044; A47B 2021/0335; H02G 3/126; F16B 47/00; F16B 47/006; A47G 1/17; A47K 2201/00

(71) Applicant: **Xu Bo Pei**, Shenzhen (CN)

See application file for complete search history.

(72) Inventor: **Xu Bo Pei**, Shenzhen (CN)

(56) **References Cited**

(\*\*) Term: **15 Years**

U.S. PATENT DOCUMENTS

(21) Appl. No.: **29/721,368**

4,905,040	A *	2/1990	Nagai .....	G03B 27/625 355/43
D346,081	S *	4/1994	Turner .....	D6/681.1
D466,331	S *	12/2002	Chang .....	D6/681.1
D602,713	S *	10/2009	Stukenberg .....	D6/681.1
D615,072	S *	5/2010	Saitou .....	D14/239
8,959,813	B2 *	2/2015	Denby .....	G09F 15/0056 40/606.03
D742,863	S *	11/2015	Aoyagi .....	D14/239
D807,880	S *	1/2018	Varghese .....	D14/371
D852,175	S *	6/2019	Morita .....	D14/239
D852,789	S *	7/2019	Pei .....	D14/239
D874,449	S *	2/2020	Ahrens .....	D14/239

(22) Filed: **Jan. 20, 2020**

(30) **Foreign Application Priority Data**

Nov. 30, 2019 (CN) ..... 201930666567.6

(51) **LOC (13) Cl.** ..... **14-03**

(52) **U.S. Cl.**  
USPC ..... **D14/239**

(58) **Field of Classification Search**

USPC ..... D14/371-382, 125-129, 336, 337, D14/447-452, 492, 335, 376-382, 239, D14/457, 439-441, 432, 251-253; D8/349, 354, 363, 373, 376, 380; D21/333; D12/415; D3/218; 348/180, 348/184, 325, 739, 825; D6/343, 349, D6/681, 681.2, 685, 692.6

CPC ..... G06F 3/0412; G06F 3/016; G06F 3/0488; G06F 3/011; G06F 3/038; G06F 3/03543; G06F 3/0338; G06F 3/0202; G06F 3/0219; G06F 3/0213; G06F 1/1616; G06F 3/023; G06F 3/04883; G02F 1/13338; G02F 1/1313; G02F 1/1333; G02F 1/135; G02F 1/132; G02F 1/133308; G02F 1/134309; G02F 1/13718; G09G 3/3648; G06K 15/1252; B41J 2/465; G03F 7/70291; G02B 27/0172; G02B 5/30; G02B 2027/0118; G02B 27/0101; F16M 13/02; F16M 13/00; F16M 11/10; F16M 11/04; F16M 2200/08; F16M 11/2021; A47B 21/0314;

(Continued)

*Primary Examiner* — Katie Jane Stofko  
(74) *Attorney, Agent, or Firm* — JCIPRNET

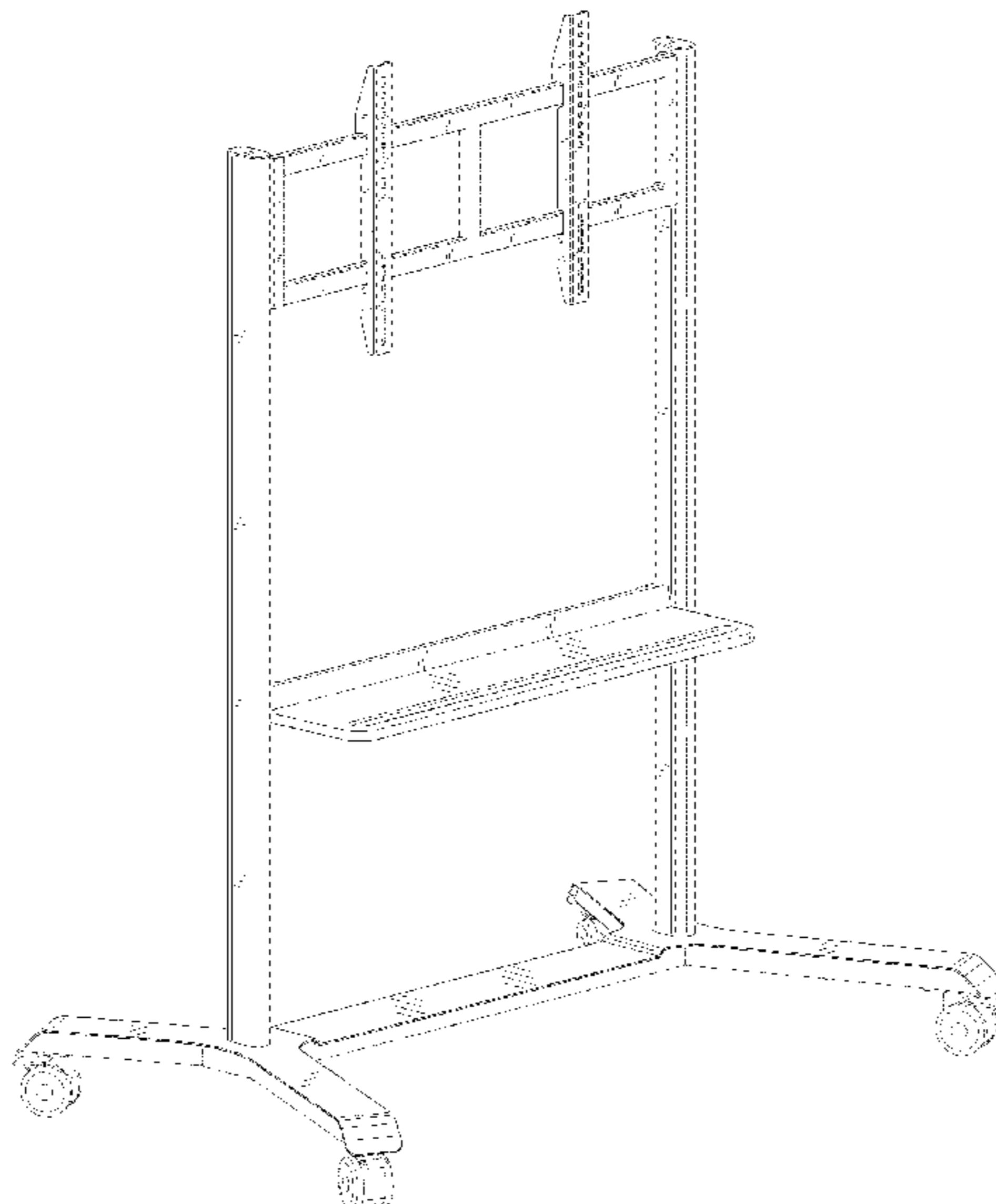
(57) **CLAIM**

The ornamental design for a mobile stand for display device, as shown and described.

**DESCRIPTION**

FIG. 1 is a perspective view of a mobile stand for display device showing my new design; FIG. 2 is another perspective view thereof; FIG. 3 is a front view thereof; FIG. 4 is a rear view thereof; FIG. 5 is a left side view thereof; FIG. 6 is a right side view thereof; FIG. 7 is a top view thereof; and, FIG. 8 is a bottom view thereof. The broken lines shown in FIGS. 1-8 illustrate portions of the mobile stand for display device that form no part of the claimed design.

**1 Claim, 8 Drawing Sheets**



(56)

**References Cited**

U.S. PATENT DOCUMENTS

D884,697 S *	5/2020	Park .....	D14/375
2014/0113270 A1 *	4/2014	Danis .....	G09B 5/02 434/365

\* cited by examiner

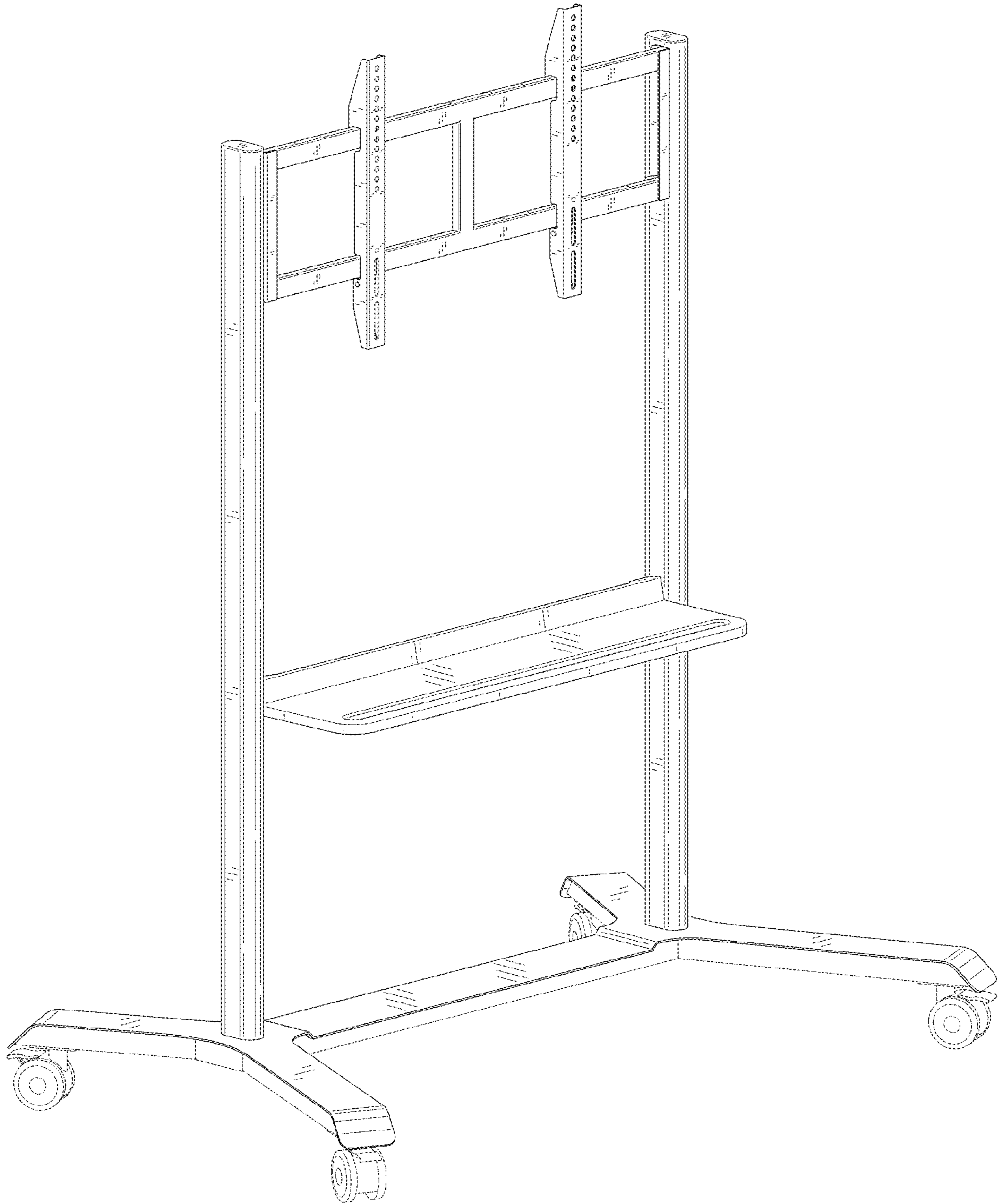


FIG. 1

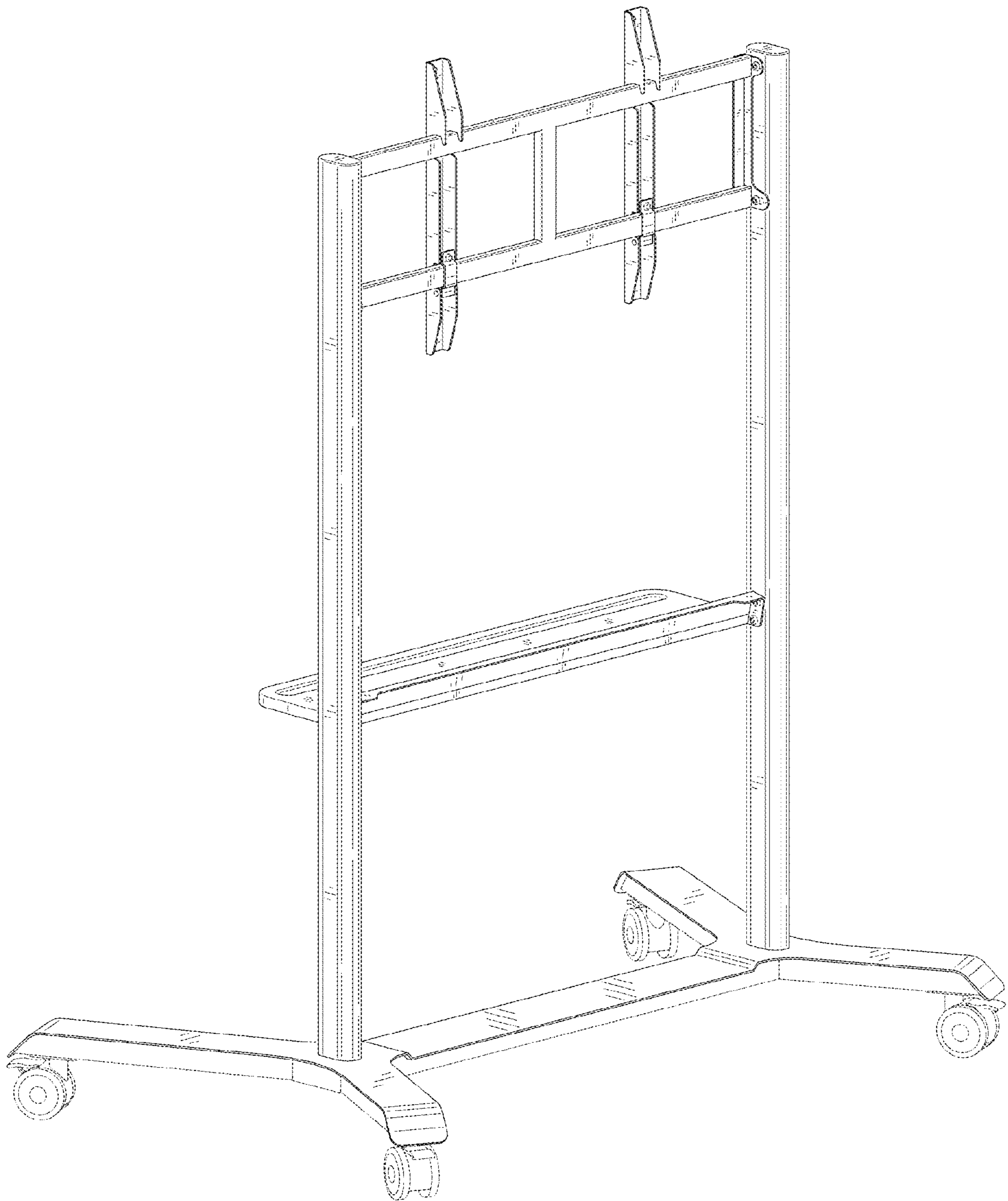


FIG. 2

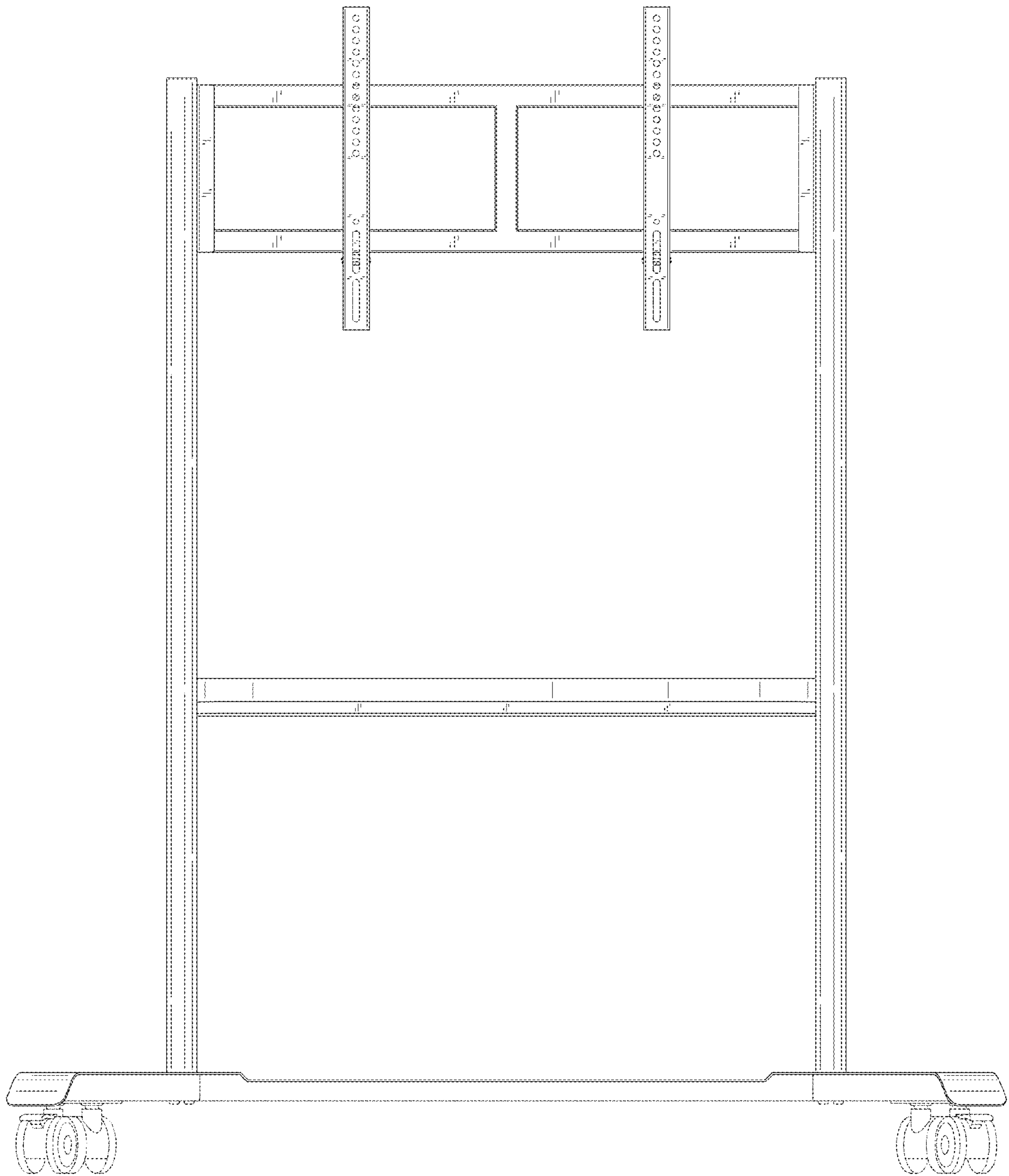


FIG. 3

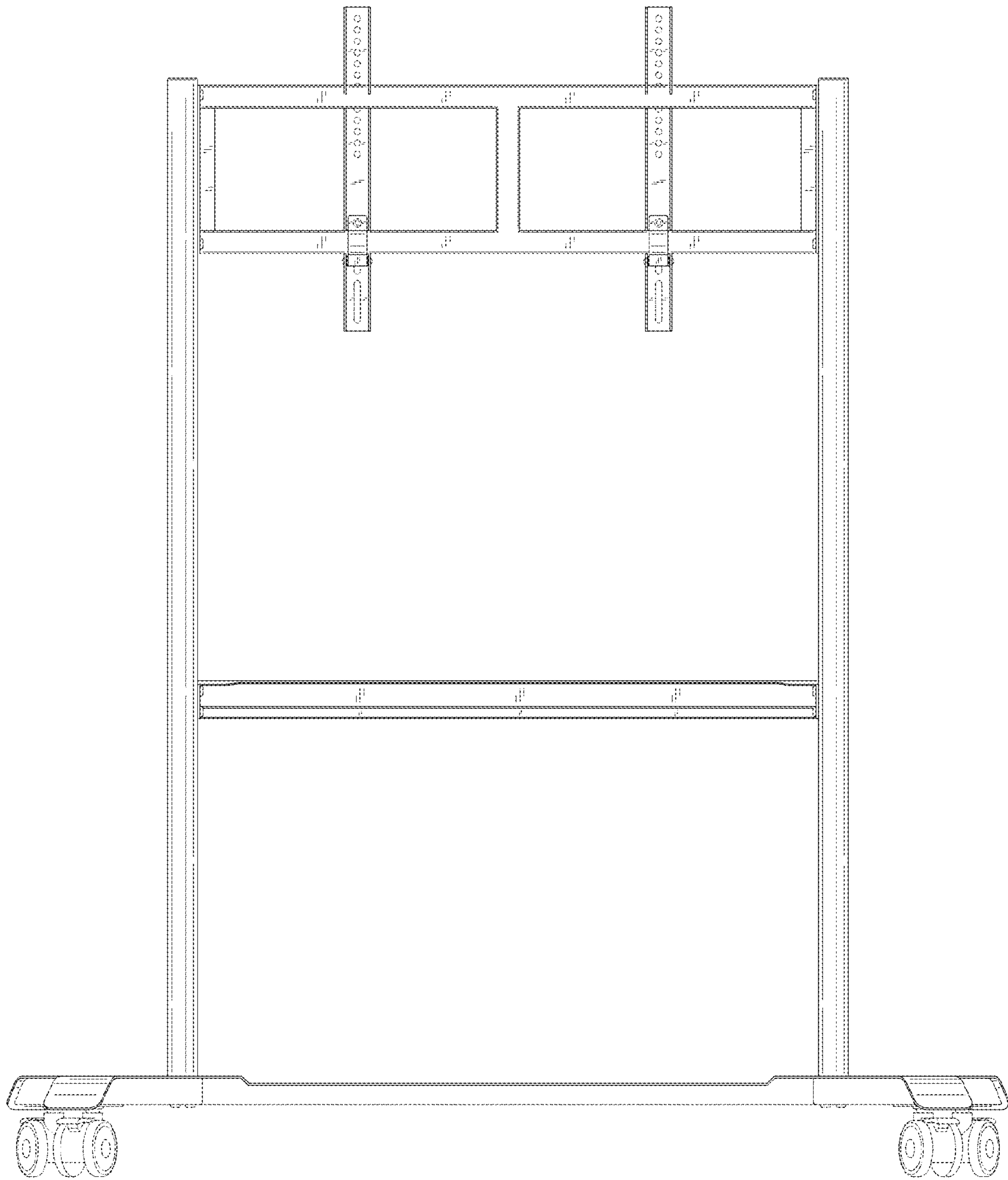


FIG. 4

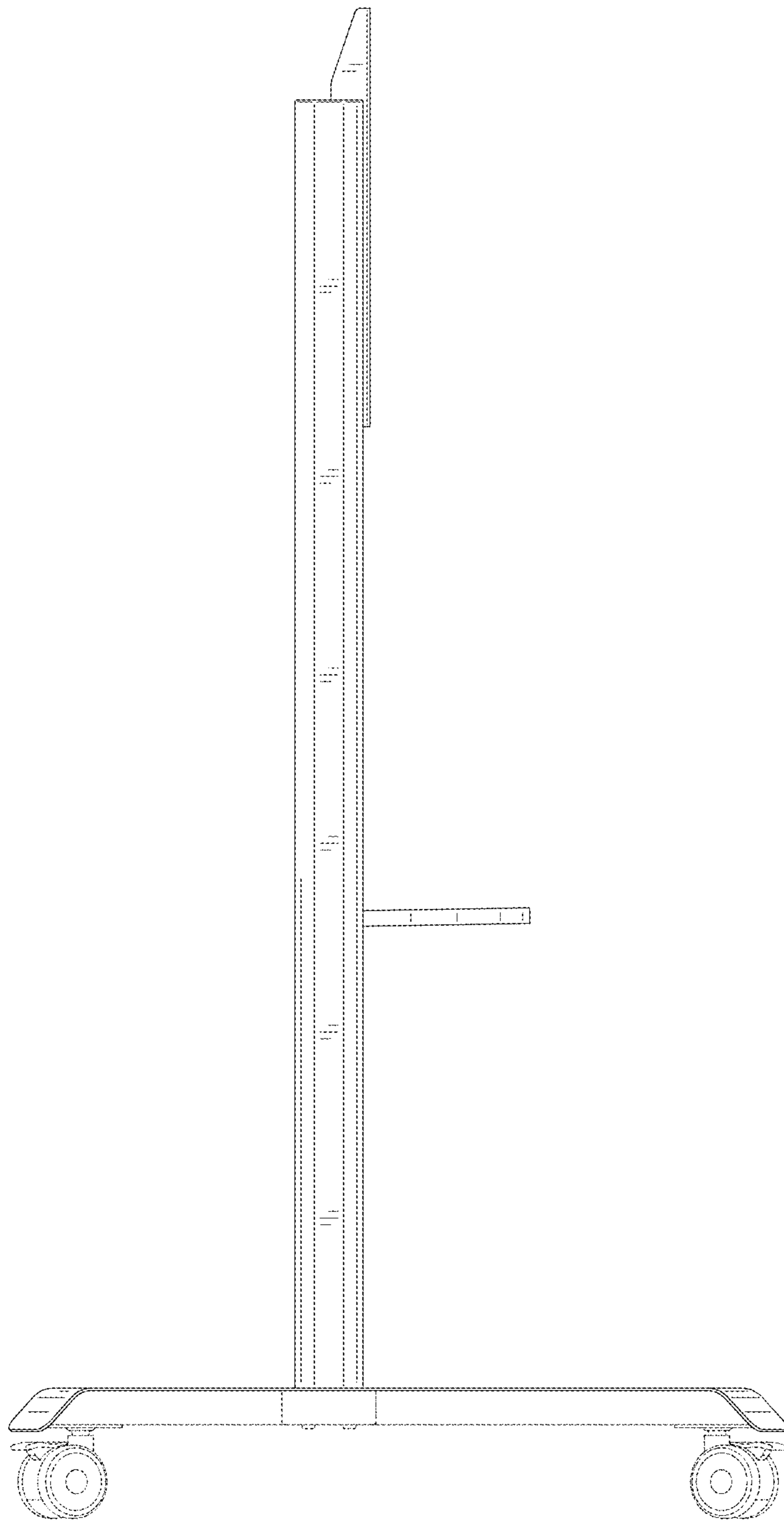


FIG. 5

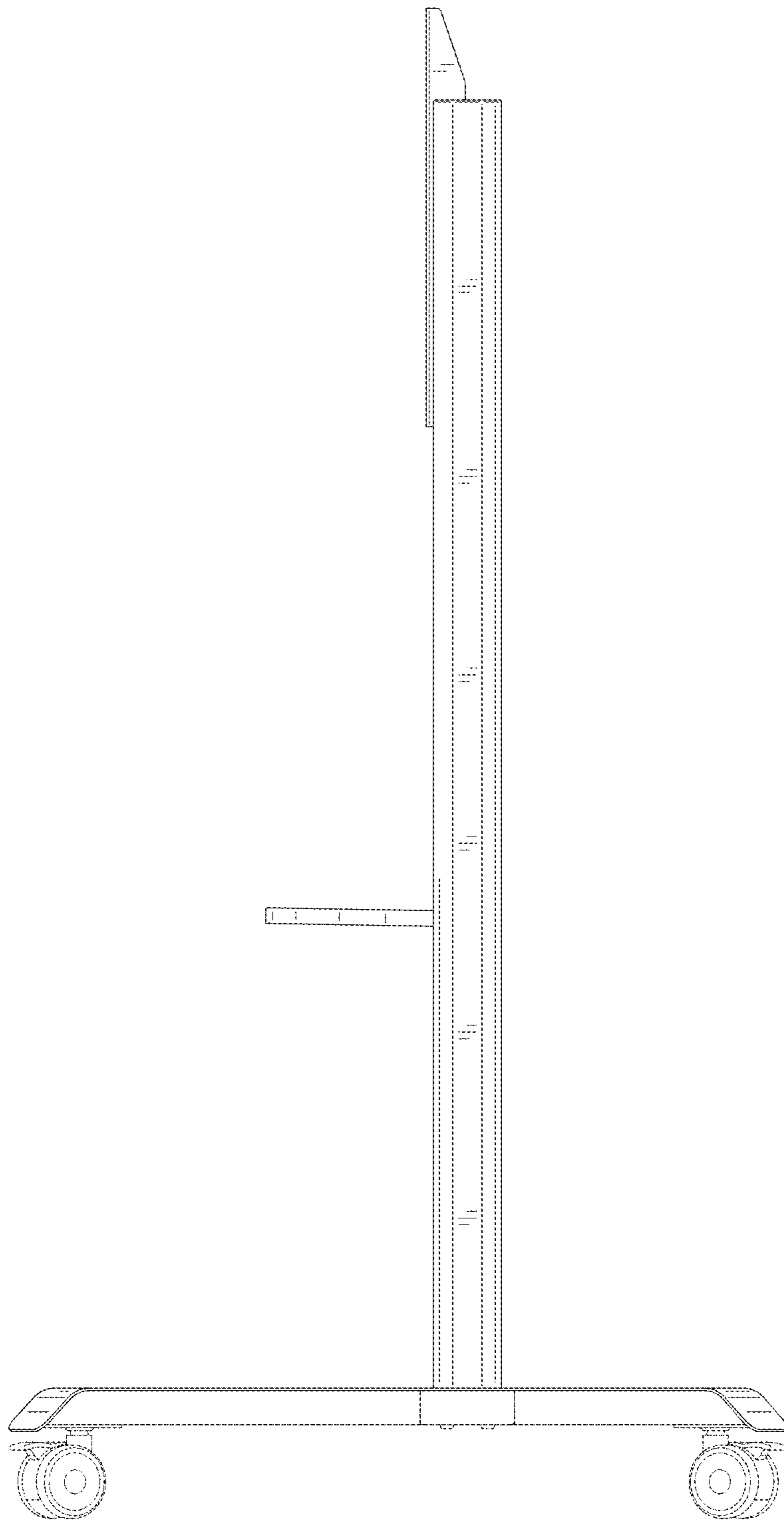


FIG. 6



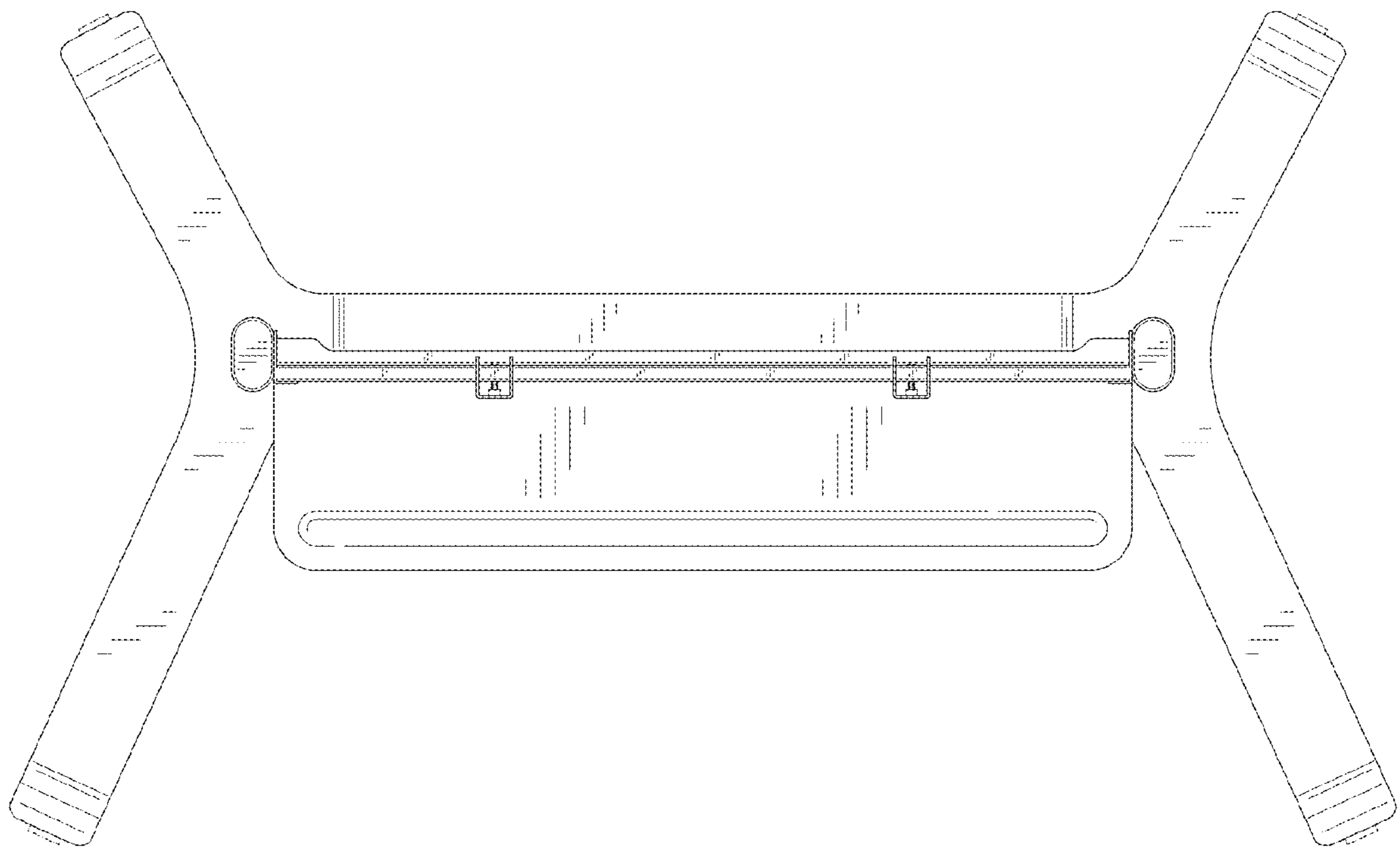


FIG. 7

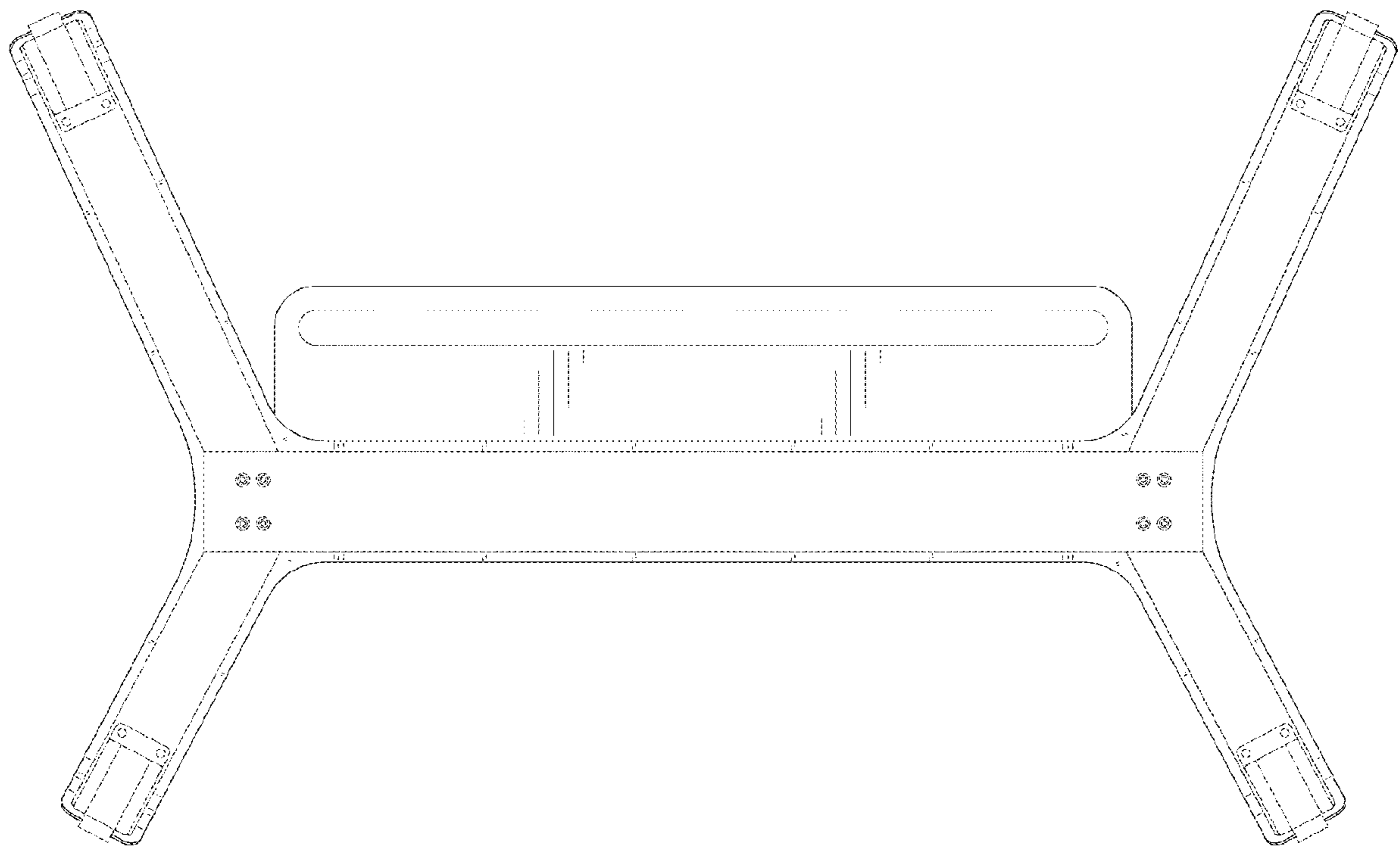


FIG. 8