



US00D914654S

(12) **United States Design Patent** (10) **Patent No.:** **US D914,654 S**
Pei (45) **Date of Patent:** **** Mar. 30, 2021**

(54) **MOBILE STAND FOR DISPLAY DEVICE**

(56) **References Cited**

(71) Applicant: **Xu Bo Pei**, Shenzhen (CN)

U.S. PATENT DOCUMENTS

(72) Inventor: **Xu Bo Pei**, Shenzhen (CN)

D192,792	S	*	5/1962	Morris	D34/21
D300,150	S	*	3/1989	Ishii	D18/36
D615,072	S	*	5/2010	Saitou	D14/239
D618,012	S	*	6/2010	Erne		
D671,170	S	*	11/2012	Udagawa	D19/114
D753,940	S	*	4/2016	Ruiz	D6/681
D819,374	S	*	6/2018	Kuehn	D6/681.2
D820,846	S	*	6/2018	Lee	D14/451
D821,371	S	*	6/2018	Heckler	D14/239
D829,453	S	*	10/2018	Neri	D6/343
D845,047	S	*	4/2019	Neri	D6/692.6
D886,821	S	*	6/2020	Escolin	D14/375
D896,192	S	*	9/2020	Ren	D13/184

(**) Term: **15 Years**

(21) Appl. No.: **29/721,356**

(22) Filed: **Jan. 20, 2020**

(30) **Foreign Application Priority Data**

Nov. 30, 2019 (CN) 201930666298.3

(51) **LOC (13) Cl.** **14-03**

(52) **U.S. Cl.**
USPC **D14/239**

(58) **Field of Classification Search**
USPC D14/371-382, 125-129, 336, 337,
D14/447-452, 492, 335, 376-382, 239,
D14/457, 439-441, 432, 251-253;
D8/349, 354, 363, 373, 376, 380;
D21/333; D12/415; D3/218; 348/180,
348/184, 325, 739, 825; D6/343, 349,
D6/681, 681.2, 685, 692.6

CPC G06F 3/0412; G06F 3/016; G06F 3/0488;
G06F 3/011; G06F 3/038; G06F 3/03543;
G06F 3/0338; G06F 3/0202; G06F
3/0219; G06F 3/0213; G06F 1/1616;
G06F 3/023; G06F 3/04883; G02F
1/13338; G02F 1/1313; G02F 1/1333;
G02F 1/135; G02F 1/132; G02F
1/133308; G02F 1/134309; G02F
1/13718; G09G 3/3648; G06K 15/1252;
B41J 2/465; G03F 7/70291; G02B
27/0172; G02B 5/30; G02B 2027/0118;
G02B 27/0101; F16M 13/02; F16M
13/00; F16M 11/10; F16M 11/04; F16M
2200/08; F16M 11/2021; A47B 21/0314;
A47B 88/044; A47B 2021/0335; H02G
3/126; H02G 2021/0335; A47G 1/17;
F16B 47/00; F16B 47/006; A47K
2201/00

See application file for complete search history.

* cited by examiner

Primary Examiner — Katie Jane Stofko

(74) *Attorney, Agent, or Firm* — JCIPRNET

(57) **CLAIM**

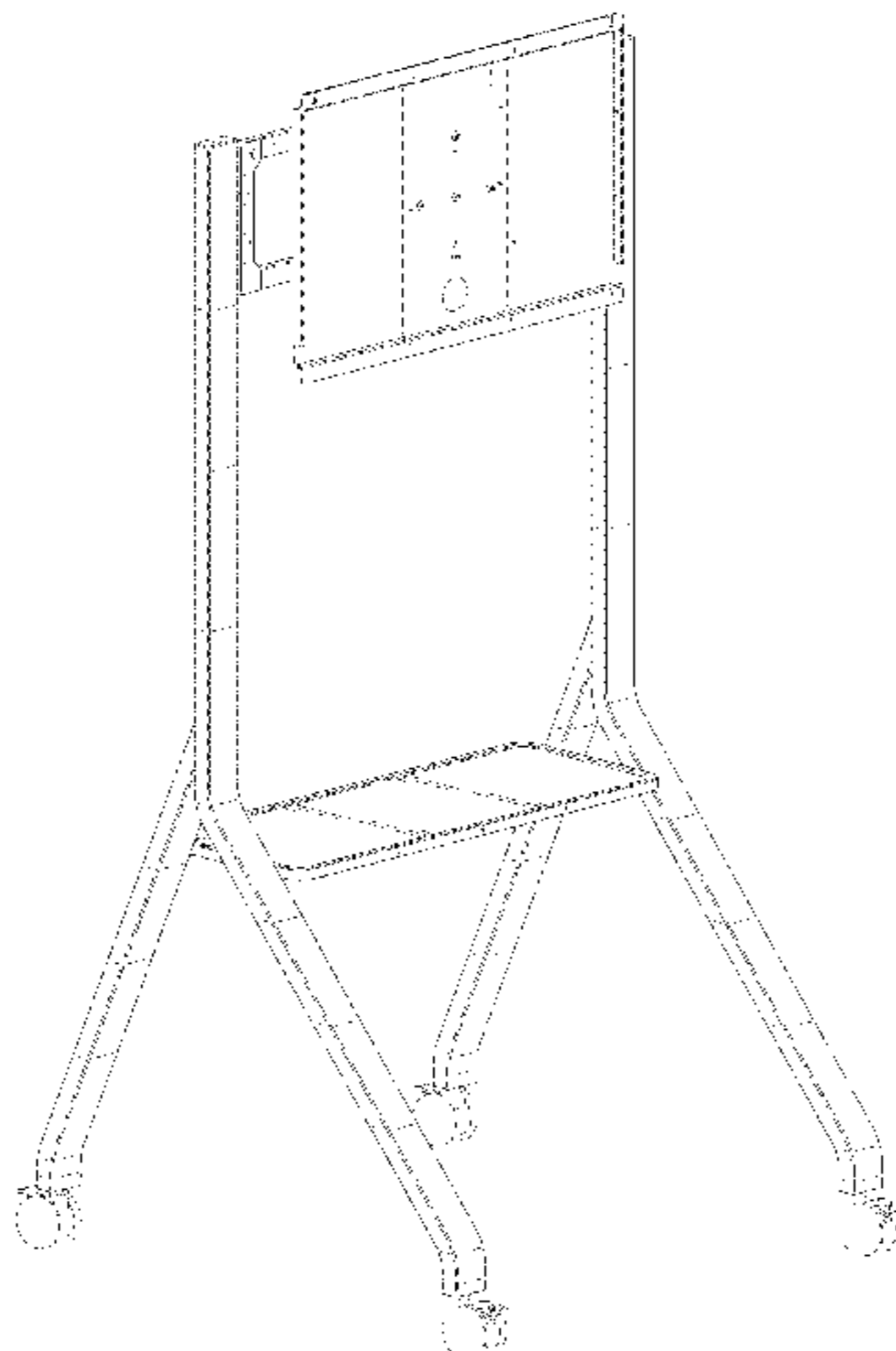
The ornamental design for a mobile stand for display device, as shown and described.

DESCRIPTION

FIG. 1 is a perspective view of a mobile stand for display device showing my new design;
FIG. 2 is another perspective view thereof;
FIG. 3 is a front view thereof;
FIG. 4 is a rear view thereof;
FIG. 5 is a left side view thereof;
FIG. 6 is a right side view thereof;
FIG. 7 is a top view thereof; and,
FIG. 8 is a bottom view thereof.

The broken line portions of the mobile stand for display device in in FIGS. 1-8 represent unclaimed portions of the claimed design and form no part thereof.

1 Claim, 8 Drawing Sheets



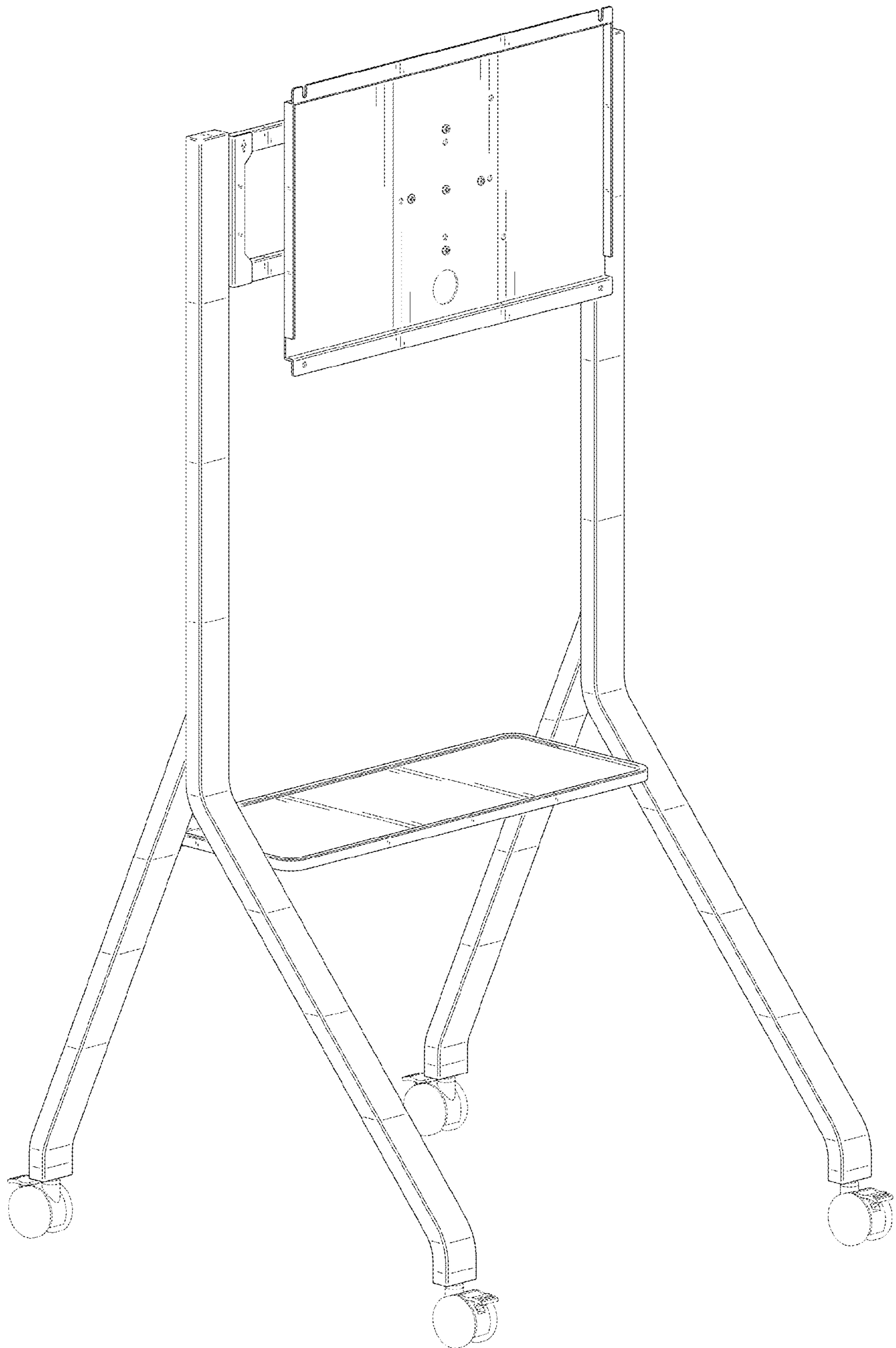


FIG. 1

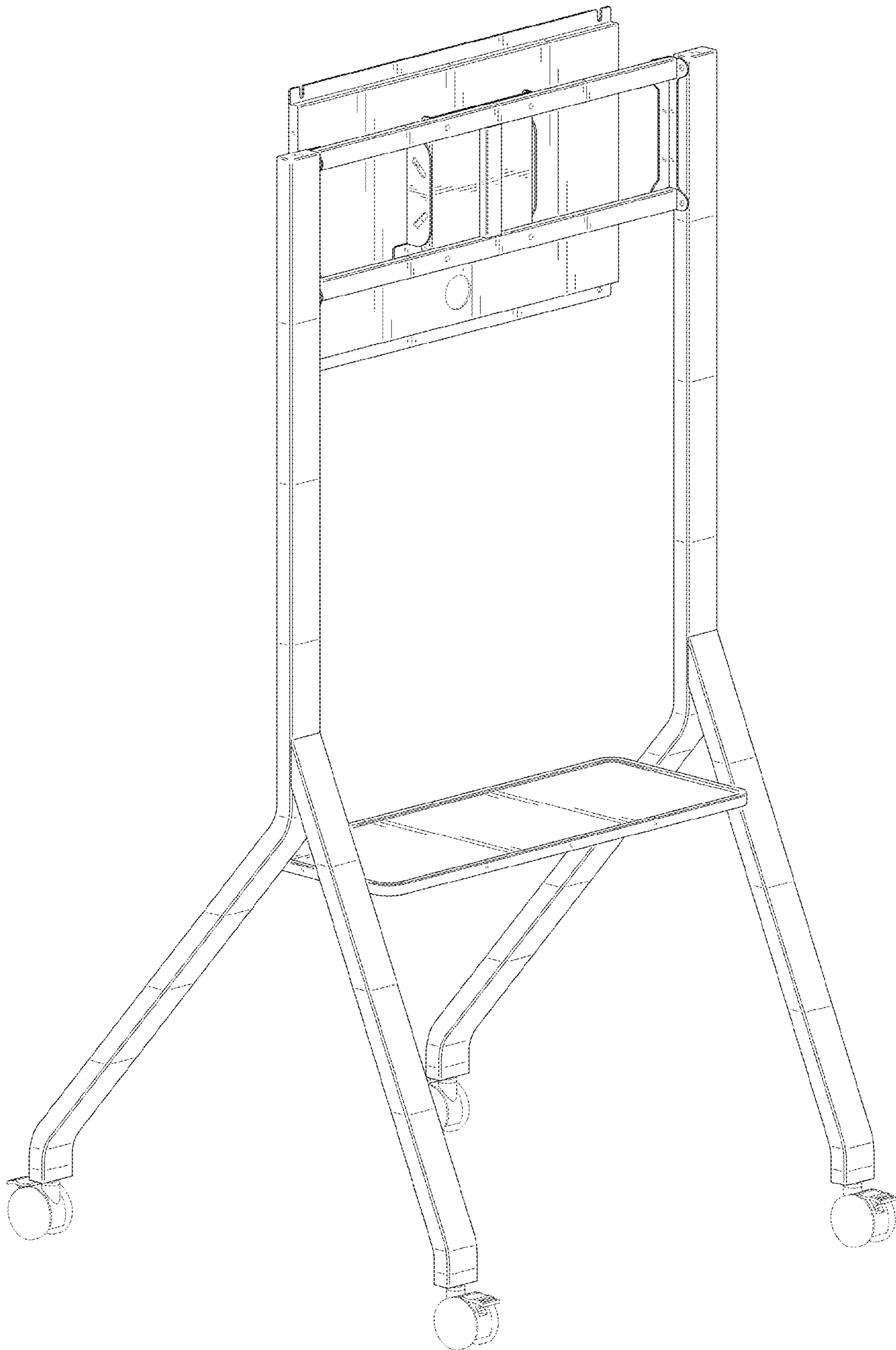


FIG. 2

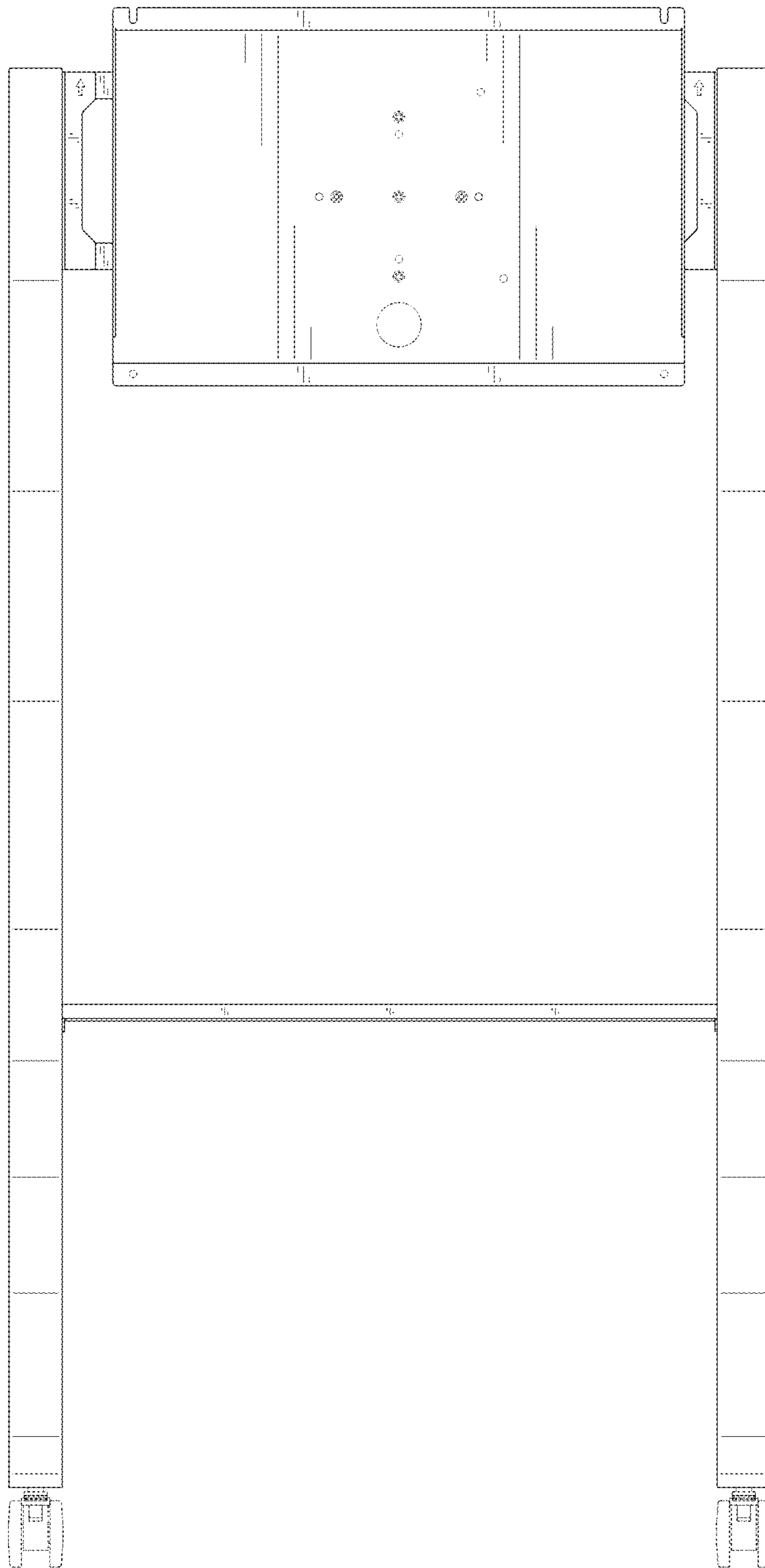


FIG. 3

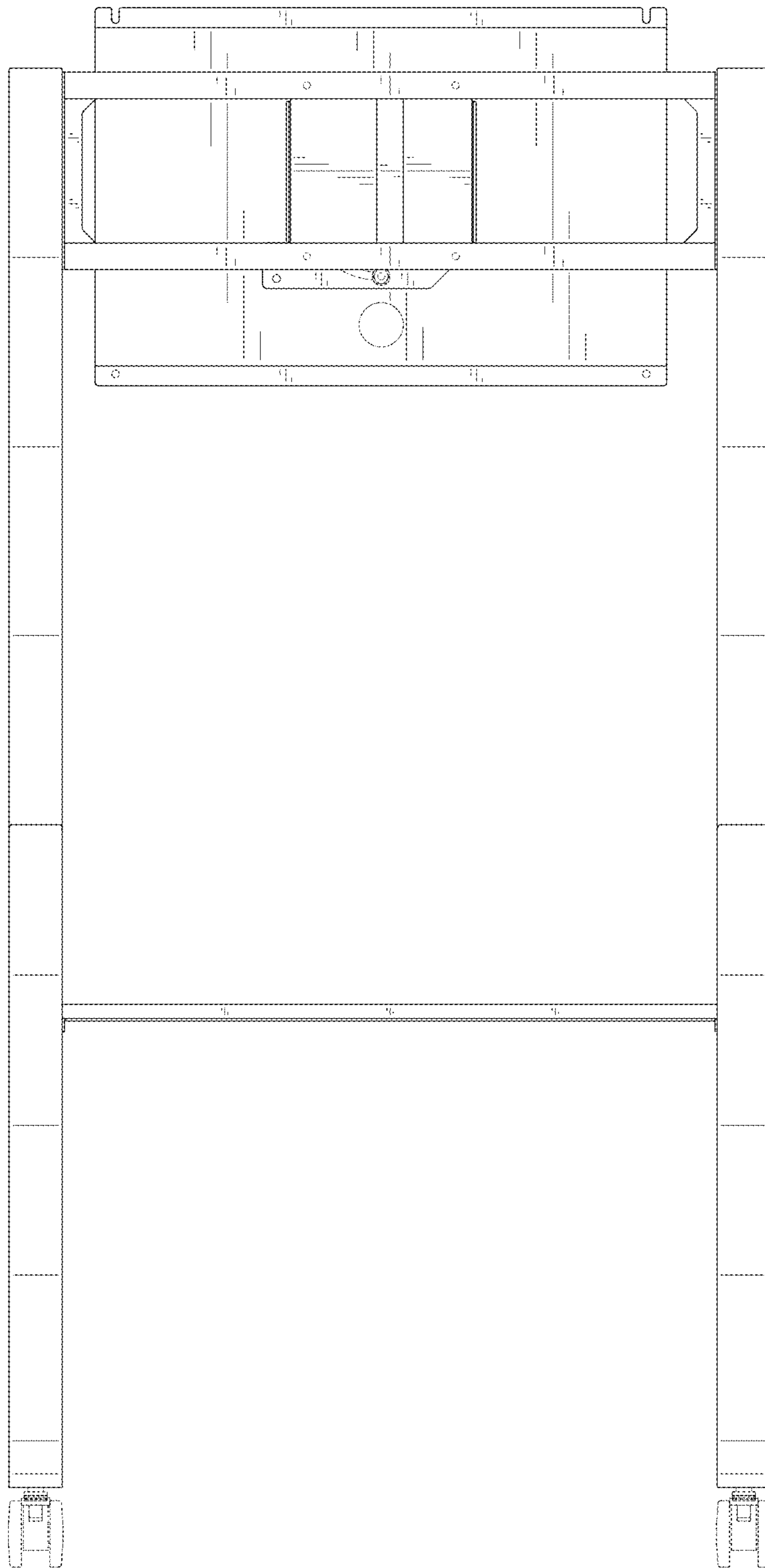


FIG. 4

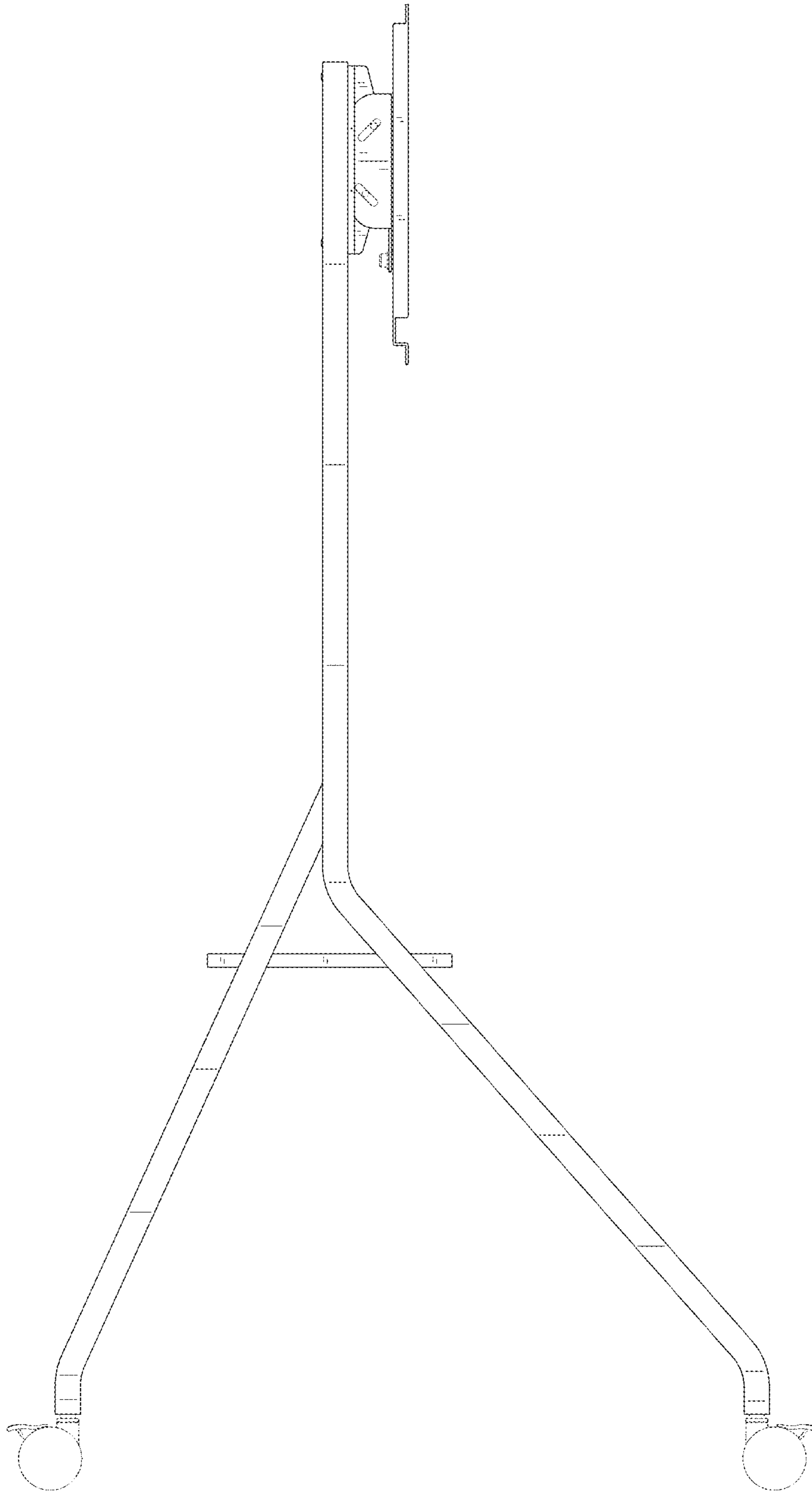


FIG. 5

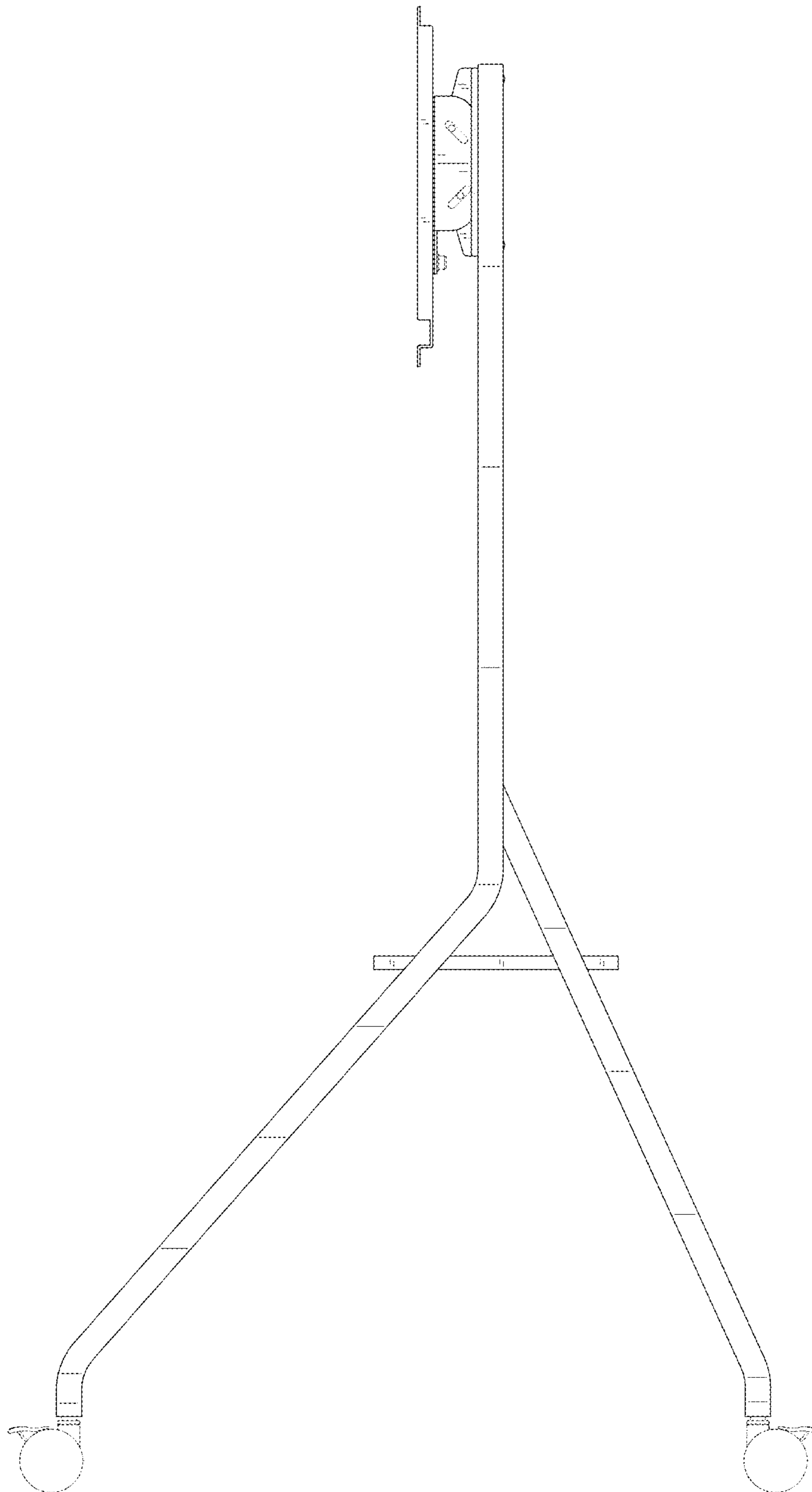


FIG. 6

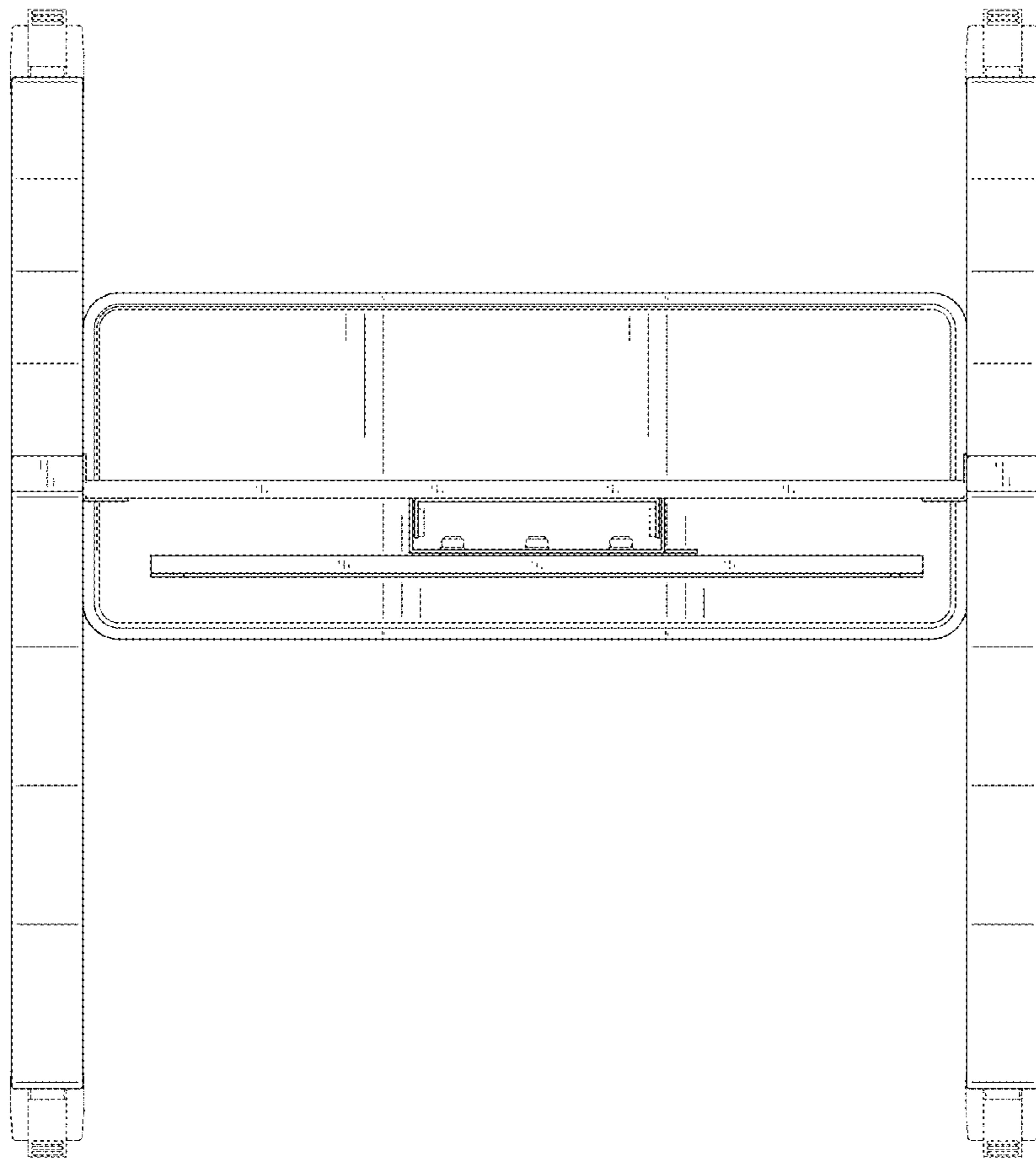


FIG. 7

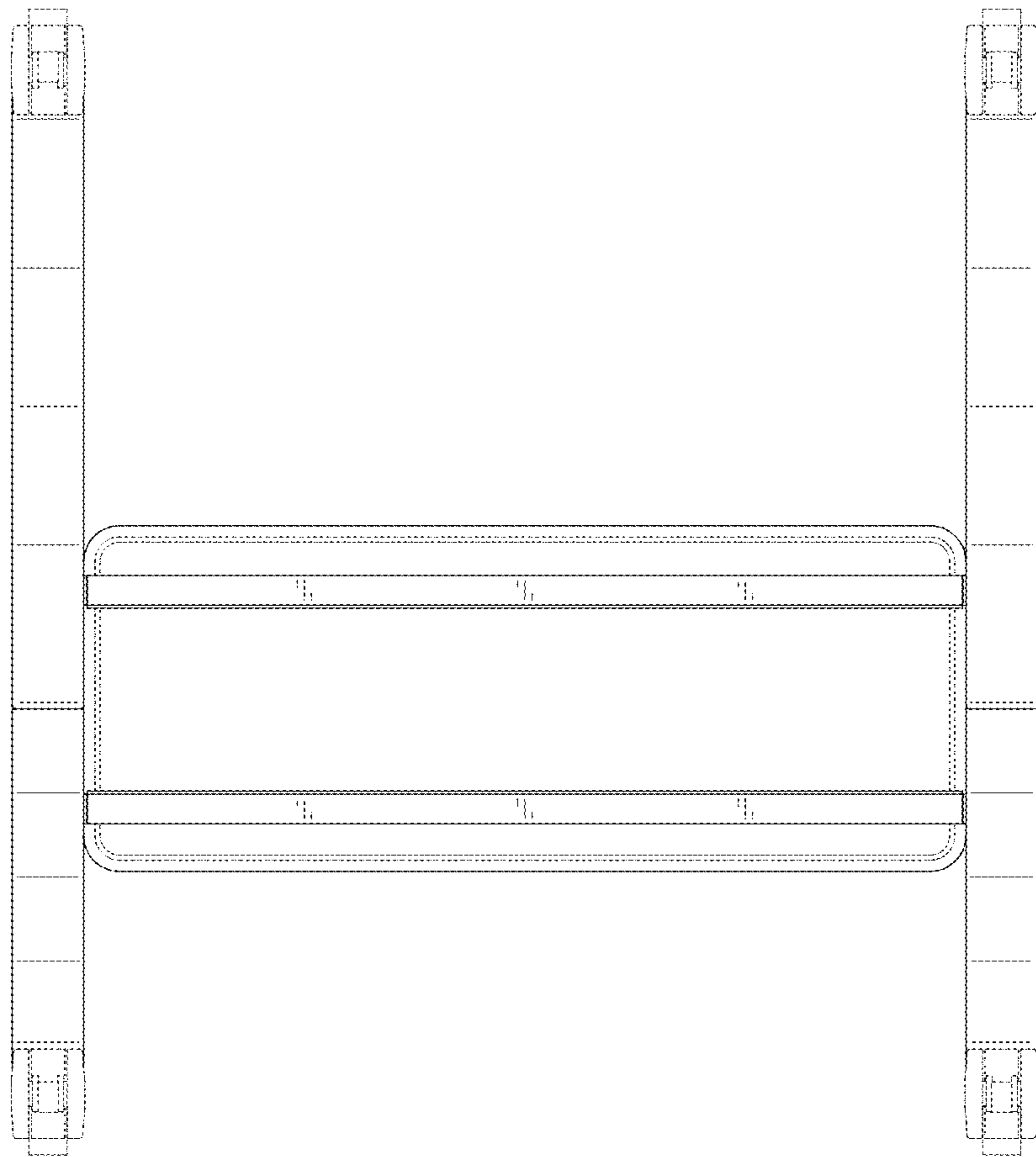


FIG. 8