



US00D914653S

(12) **United States Design Patent**
Yang

(10) **Patent No.:** **US D914,653 S**

(45) **Date of Patent:** **** Mar. 30, 2021**

(54) **ANTENNA**

(71) Applicant: **Shenzhen Antop Technology Co, Ltd.,**
Guangdong (CN)

(72) Inventor: **Ruidian Yang,** Guangdong (CN)

(**) Term: **15 Years**

(21) Appl. No.: **29/718,988**

(22) Filed: **Dec. 31, 2019**

(30) **Foreign Application Priority Data**

Oct. 11, 2019 (CN) 201930552371.4

(51) **LOC (13) Cl.** **14-03**

(52) **U.S. Cl.**
USPC **D14/230**

(58) **Field of Classification Search**
USPC D14/138, 230-238, 299, 358; D12/42,
D12/43

CPC H01Q 7/00; H01Q 13/10; H01Q 9/285;
H01Q 19/30; H01Q 19/12; H01Q 1/38;
H01Q 1/36; H04B 1/0475; H04B 1/034;
H05K 11/00

See application file for complete search history.

(56) **References Cited**

U.S. PATENT DOCUMENTS

D157,090 S * 1/1950 Schmidt D14/234
2,505,424 A * 4/1950 Moseley H01Q 19/134
343/776

D287,588 S * 1/1987 Ulch D14/231
D293,575 S * 1/1988 Sugiura D14/230
D425,513 S * 5/2000 Waldner D14/230
D489,712 S * 5/2004 Nagatomi D14/230
D501,201 S * 1/2005 Chiang D14/230
D516,060 S * 2/2006 Wu D14/230
D546,322 S * 7/2007 Cislo D14/230
D558,190 S * 12/2007 Cislo D14/230
D643,025 S * 8/2011 Podduturi D14/230
D658,638 S * 5/2012 Podduturi D14/230
D710,834 S * 8/2014 Jeon D14/230
D775,110 S * 12/2016 Tsen D14/230
D843,357 S * 3/2019 Young D14/230

* cited by examiner

Primary Examiner — John Windmuller

(74) *Attorney, Agent, or Firm* — Prakash Nama; Global IP Services, PLLC

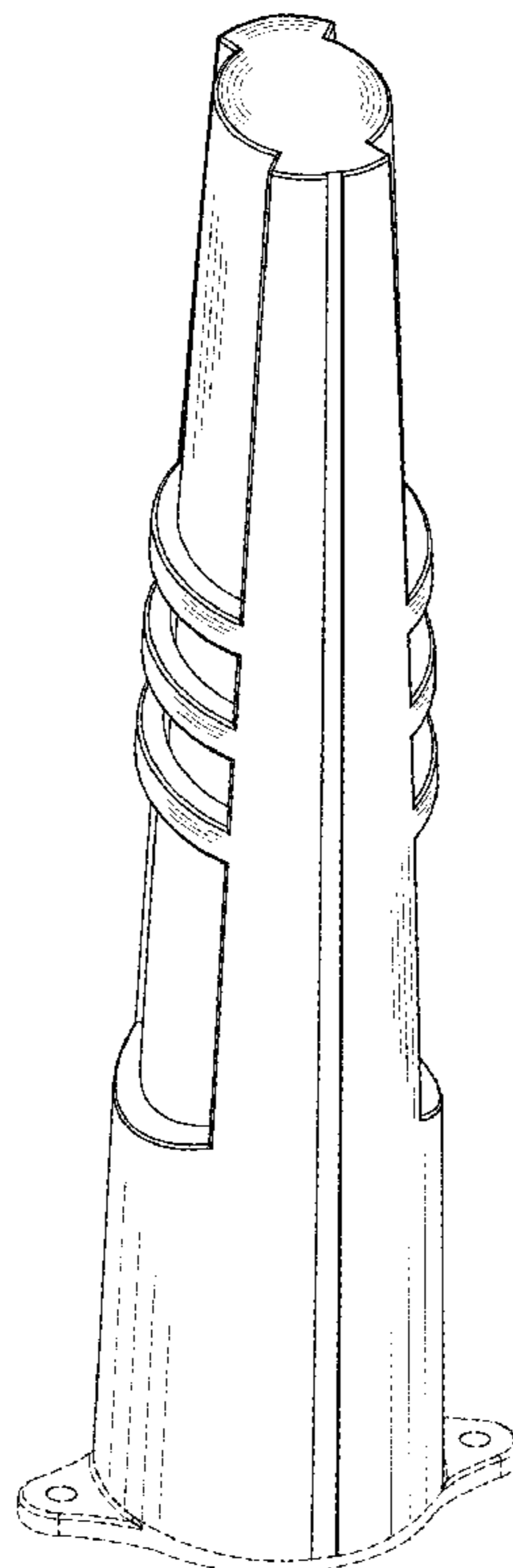
(57) **CLAIM**

The ornamental design for an antenna, as shown and described.

DESCRIPTION

FIG. 1 is a front view of an antenna showing our new design; FIG. 2 is a rear view thereof; FIG. 3 is a left side view thereof; FIG. 4 is a right side view thereof; FIG. 5 is a top plan view thereof; FIG. 6 is a bottom plan view thereof; FIG. 7 is a perspective view thereof; and, FIG. 8 is another perspective view thereof. The broken lines illustrate portions of the antenna which form no part of the claimed design.

1 Claim, 8 Drawing Sheets



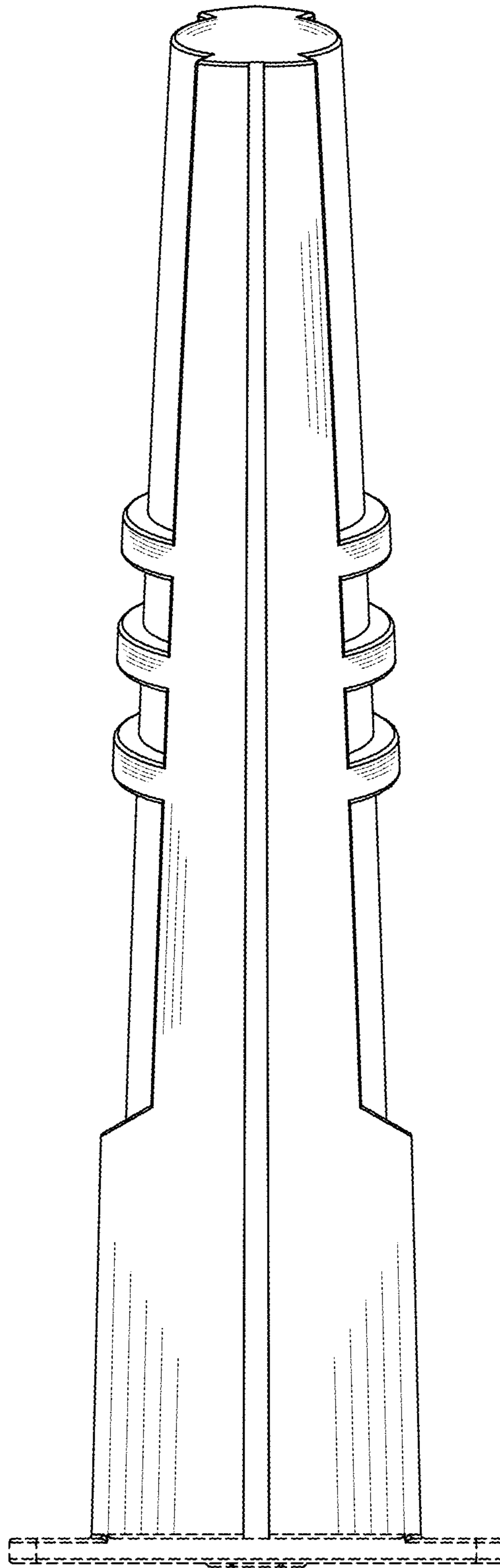


FIG. 1

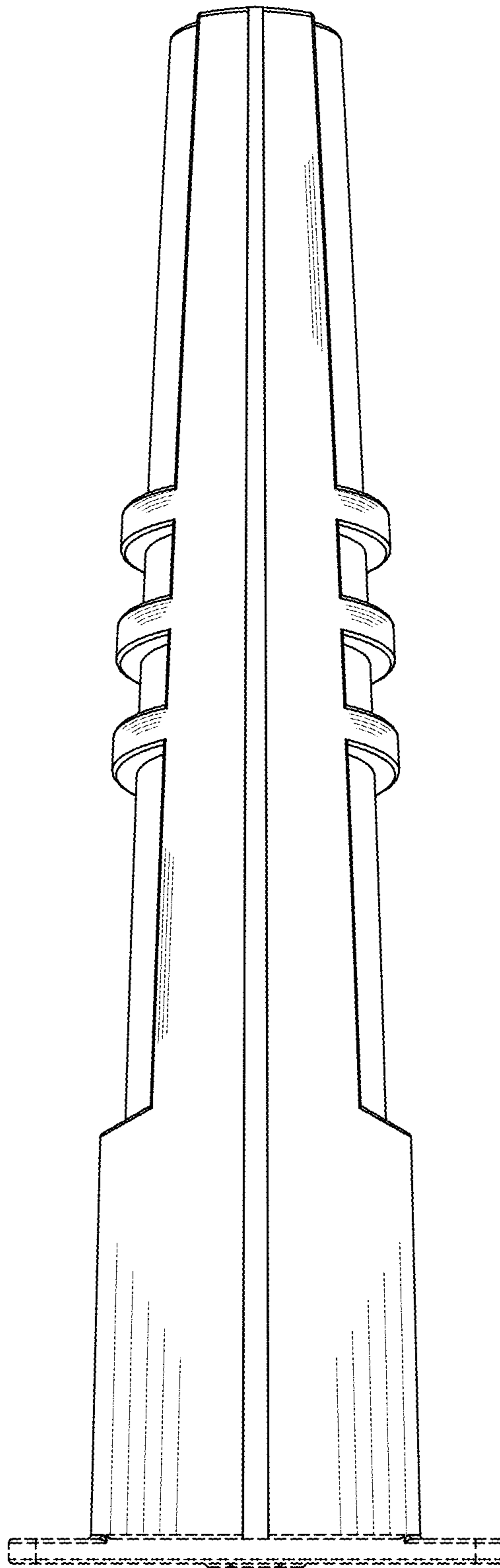


FIG. 2

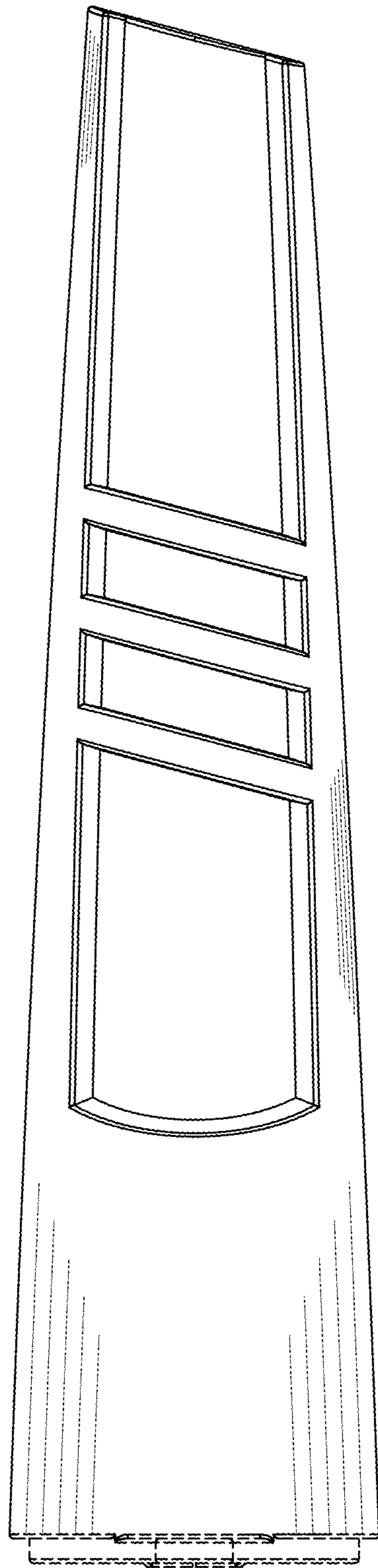


FIG. 3

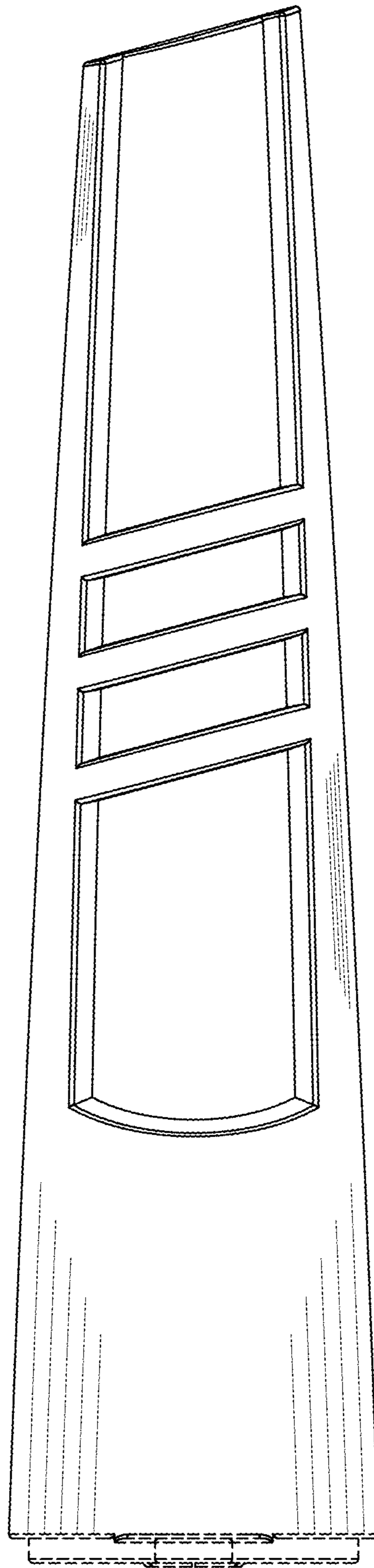


FIG. 4

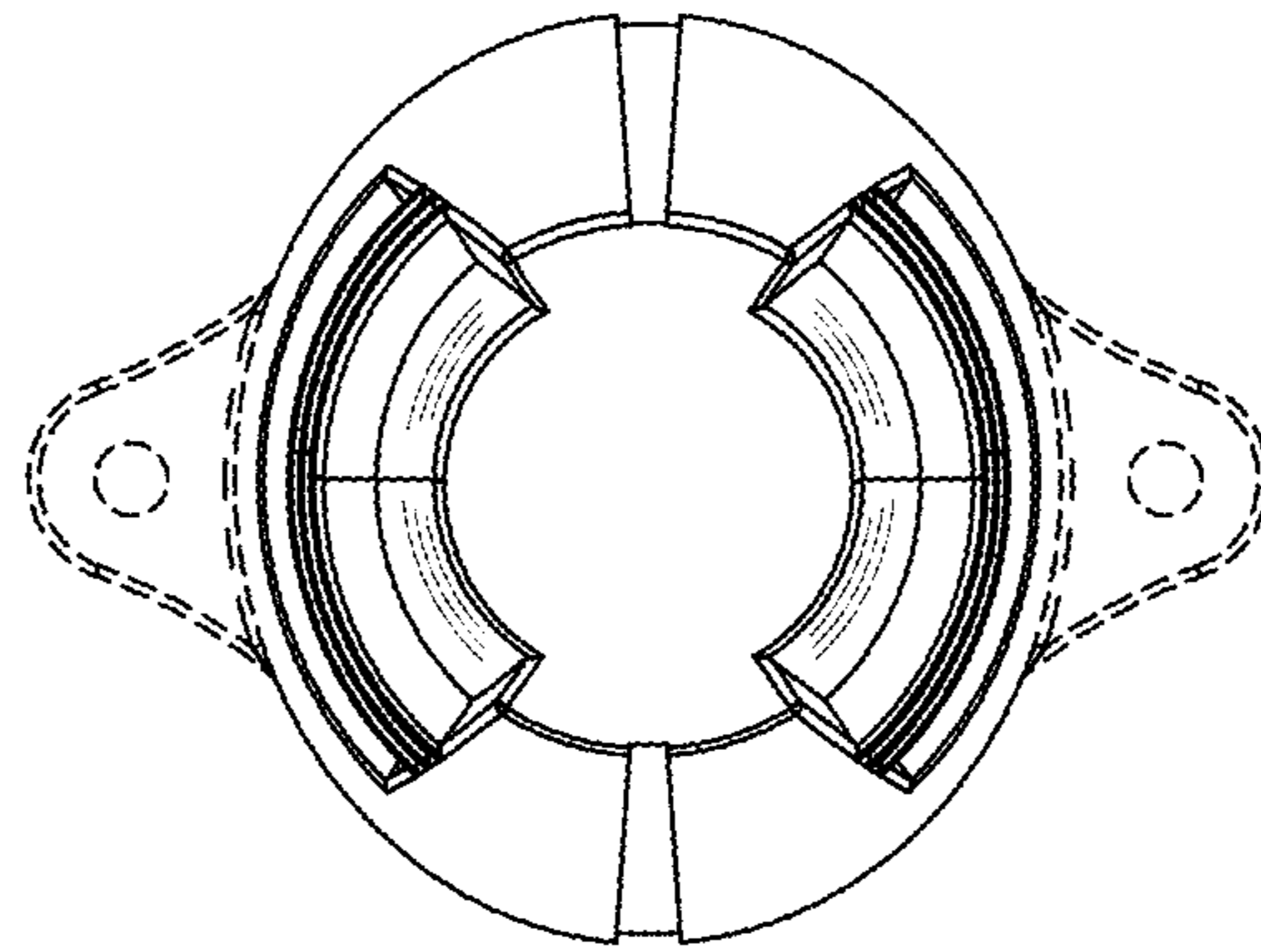


FIG. 5

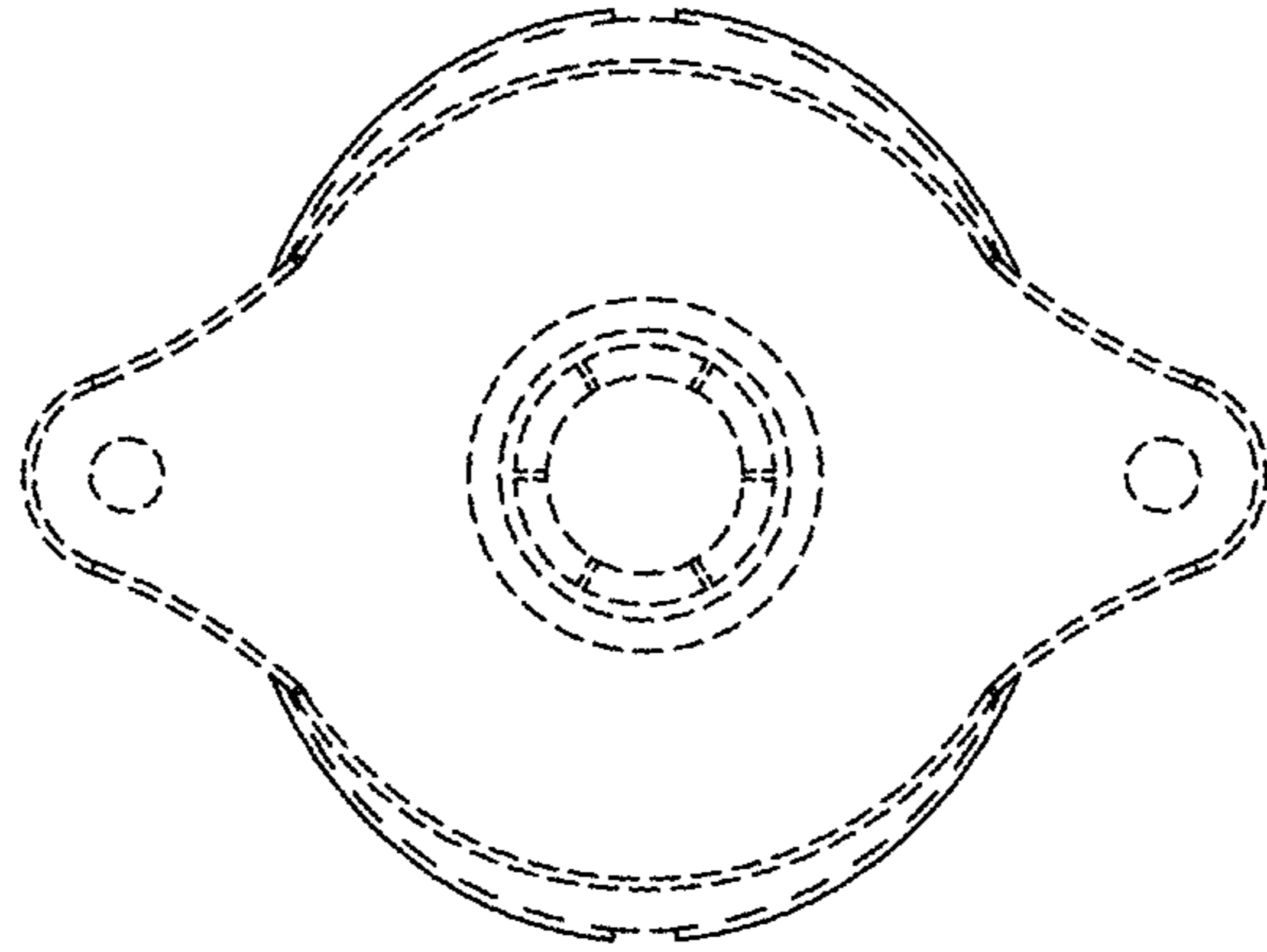


FIG. 6

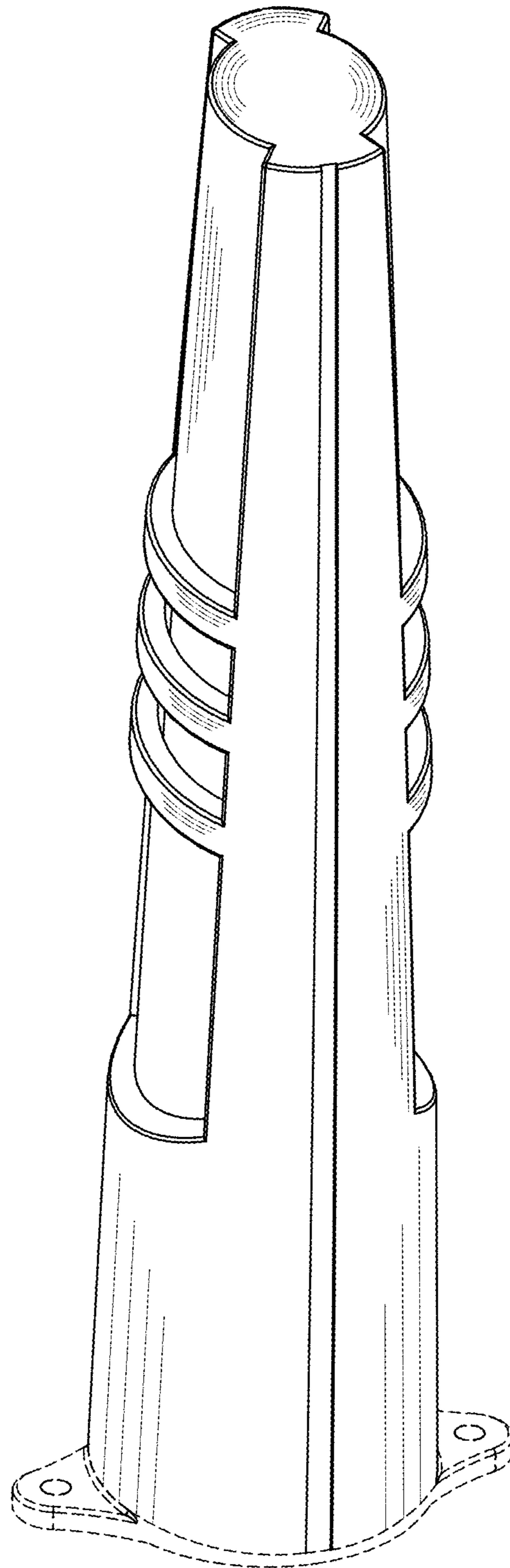


FIG. 7

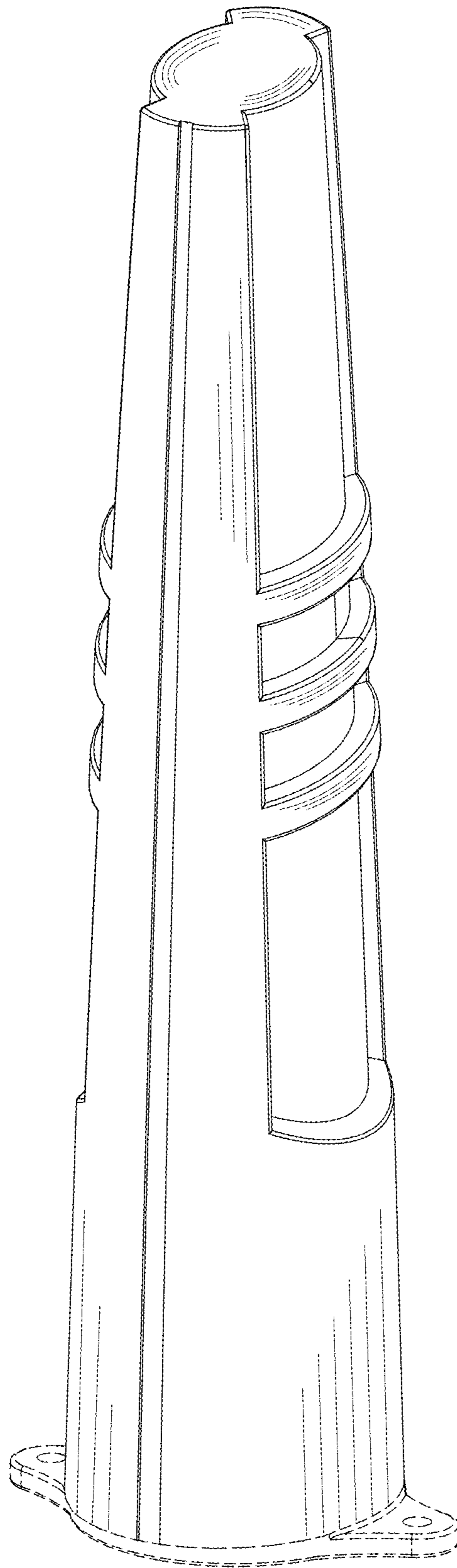


FIG. 8