



US00D914652S

(12) **United States Design Patent**
Chen

(10) **Patent No.:** **US D914,652 S**
(45) **Date of Patent:** **** Mar. 30, 2021**

(54) **WIRELESS EARPHONE**
(71) Applicant: **SHENZHEN SIXPIPES TECHNOLOGY CO., LTD**, Shenzhen (CN)
(72) Inventor: **Guohua Chen**, Shenzhen (CN)
(73) Assignee: **SHENZHEN SIXPIPES TECHNOLOGY CO., LTD**, Shenzhen (CN)
(**) Term: **15 Years**

D735,699 S * 8/2015 Yasuda D14/223
D742,860 S * 11/2015 Miyake D14/223
D746,792 S * 1/2016 Kim D14/205
D757,682 S * 5/2016 Perez D14/205
D762,196 S * 7/2016 Hsieh D14/223
D762,616 S * 8/2016 Hsieh D14/205
D773,435 S * 12/2016 Ott D14/205
D775,108 S * 12/2016 Hsieh D14/223
D784,298 S * 4/2017 Ozawa D14/223
D784,962 S * 4/2017 Yang D14/223
D801,314 S * 10/2017 Akana D14/223
D802,562 S * 11/2017 Baba D14/223
D803,184 S * 11/2017 Loh Jun Kern D14/205
D813,844 S * 3/2018 Stiff D14/223
D820,809 S * 6/2018 Akana D14/205

(Continued)

(21) Appl. No.: **29/762,290**
(22) Filed: **Dec. 15, 2020**
(51) **LOC (13) Cl.** **14-01**
(52) **U.S. Cl.**
USPC **D14/223**
(58) **Field of Classification Search**
USPC D14/223, 205; D24/174; 128/864, 865,
128/866; 381/380, 381; 455/90.3, 575.1,
455/569.1
CPC H04R 1/10; H04R 25/00; H04R 25/02;
H04R 1/1066; H04R 1/1016; H04R
5/033; H04R 5/0335; H04R 1/1091
See application file for complete search history.

FOREIGN PATENT DOCUMENTS

EM 008236798-0001 * 11/2020
EM 008370944-0001 * 12/2020

Primary Examiner — Paula Allen Greene

(57) **CLAIM**

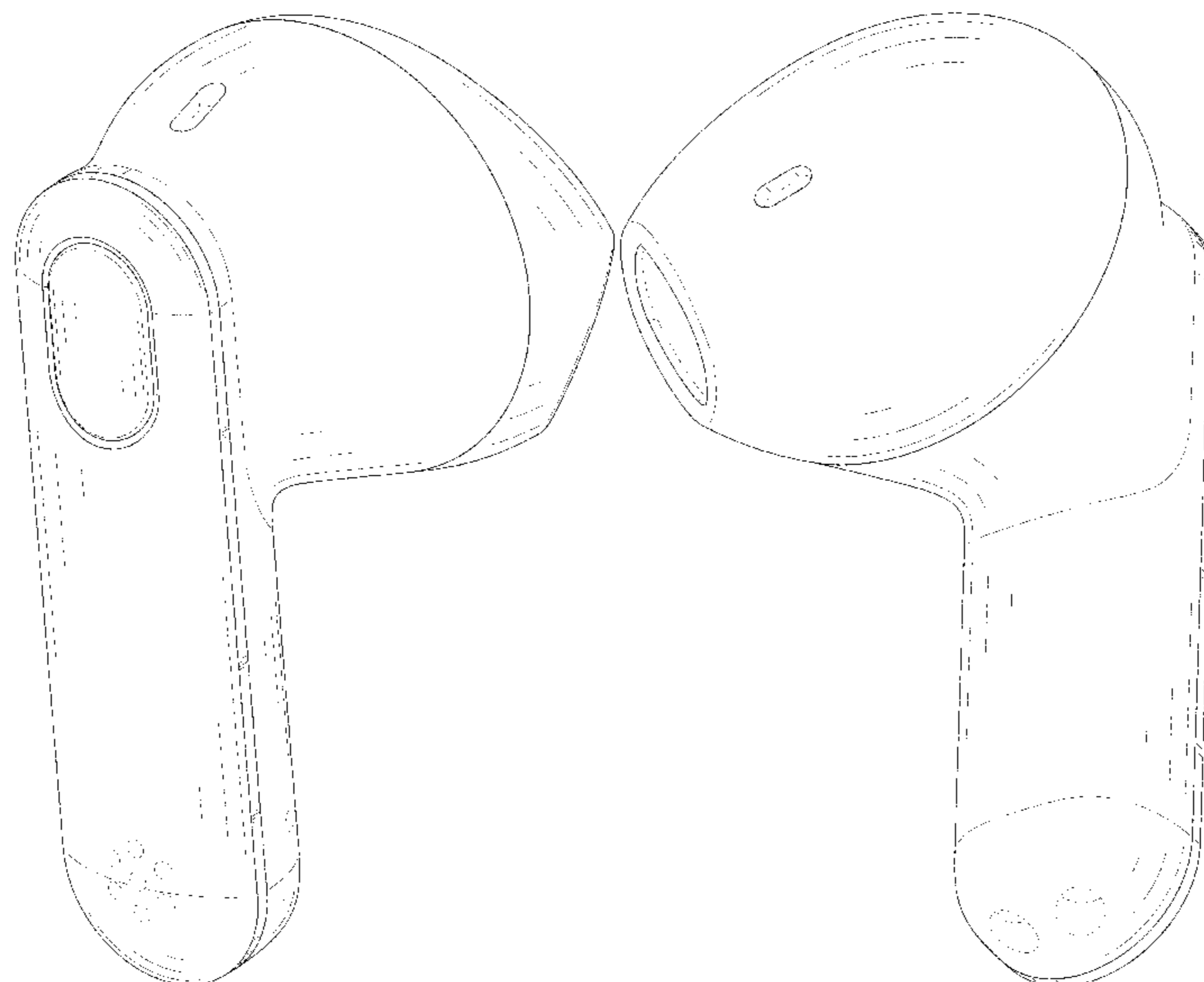
The ornamental design for a wireless earphone, as shown and described.

DESCRIPTION

FIG. 1 is a perspective view of a wireless earphone showing my new design;
FIG. 2 is another perspective view thereof;
FIG. 3 is a front elevational view thereof;
FIG. 4 is a rear elevational view thereof;
FIG. 5 is a left side elevational view thereof;
FIG. 6 is a right side elevational view thereof;
FIG. 7 is a top plan view thereof;
FIG. 8 is a bottom plan view thereof; and,
FIG. 9 is a perspective view of the wireless earphone where the wireless earphone is received in a case.
The broken lines in the drawings depict portions of the wireless earphone that form no part of the claimed design.

(56) **References Cited**
U.S. PATENT DOCUMENTS
8,712,087 B2 * 4/2014 Ozawa H04R 1/1016
381/380
8,831,266 B1 * 9/2014 Huang H04R 1/2811
381/380
D718,284 S * 11/2014 Shibusawa D14/223
D718,286 S * 11/2014 Yang D14/223
D719,548 S * 12/2014 Thompson D14/223
9,042,588 B2 * 5/2015 Aase H04R 1/1041
381/380
D733,101 S * 6/2015 Pi D14/223

1 Claim, 9 Drawing Sheets



(56)

References Cited

U.S. PATENT DOCUMENTS

D822,009 S *	7/2018	Matoba	D14/223	D883,960 S *	5/2020	Du	D14/223
D829,193 S *	9/2018	Cai	D14/223	D884,682 S *	5/2020	Du	D14/223
D830,336 S *	10/2018	Cai	D14/205	D885,373 S *	5/2020	Lundback	D14/223
D830,345 S *	10/2018	Cai	D14/223	D887,396 S *	6/2020	Wang	D14/223
D831,619 S *	10/2018	Matoba	D14/223	D888,690 S *	6/2020	Yan	D14/223
D832,823 S *	11/2018	Xiao	D14/223	D888,691 S *	6/2020	Liu	D14/223
D832,824 S *	11/2018	Kim	D14/223	D889,436 S *	7/2020	Zhang	D14/223
D847,125 S *	4/2019	Akana	D14/223	D889,437 S *	7/2020	Ando	D14/223
D847,794 S *	5/2019	Guo	D14/223	D890,138 S *	7/2020	Peng	D14/223
D848,980 S *	5/2019	Kim	D14/223	D890,724 S *	7/2020	Li	D14/223
D848,982 S *	5/2019	Kim	D14/223	D893,462 S *	8/2020	Liu	D14/223
D853,995 S *	7/2019	Cai	D14/223	D895,579 S *	9/2020	Yang	D14/223
D861,647 S *	10/2019	Chen	D14/223	D895,582 S *	9/2020	Wu	D14/223
D864,165 S *	10/2019	Roberts	D14/223	D896,206 S *	9/2020	Xu	D14/223
D864,169 S *	10/2019	Min	D14/223	D896,207 S *	9/2020	He	D14/223
D864,919 S	10/2019	Bonahoom		D897,997 S *	10/2020	Zhang	D14/223
D869,445 S *	12/2019	Hu	D14/223	D897,998 S *	10/2020	Ma	D14/223
D877,722 S *	3/2020	Yang	D14/223	D903,639 S *	12/2020	Yang	D14/223
D878,337 S *	3/2020	Yang	D14/223	D905,018 S *	12/2020	Zhu	D14/223
D882,553 S	4/2020	Wu		D907,008 S *	1/2021	Yao	D14/223
D883,260 S *	5/2020	Hu	D14/223	D910,600 S *	2/2021	Zhang	D14/223
				2020/0068283 A1 *	2/2020	Chou	H04R 1/1025
				2020/0314527 A1 *	10/2020	Guo	H04R 1/1041
				2021/0014603 A1 *	1/2021	Wei	G06F 3/044

* cited by examiner

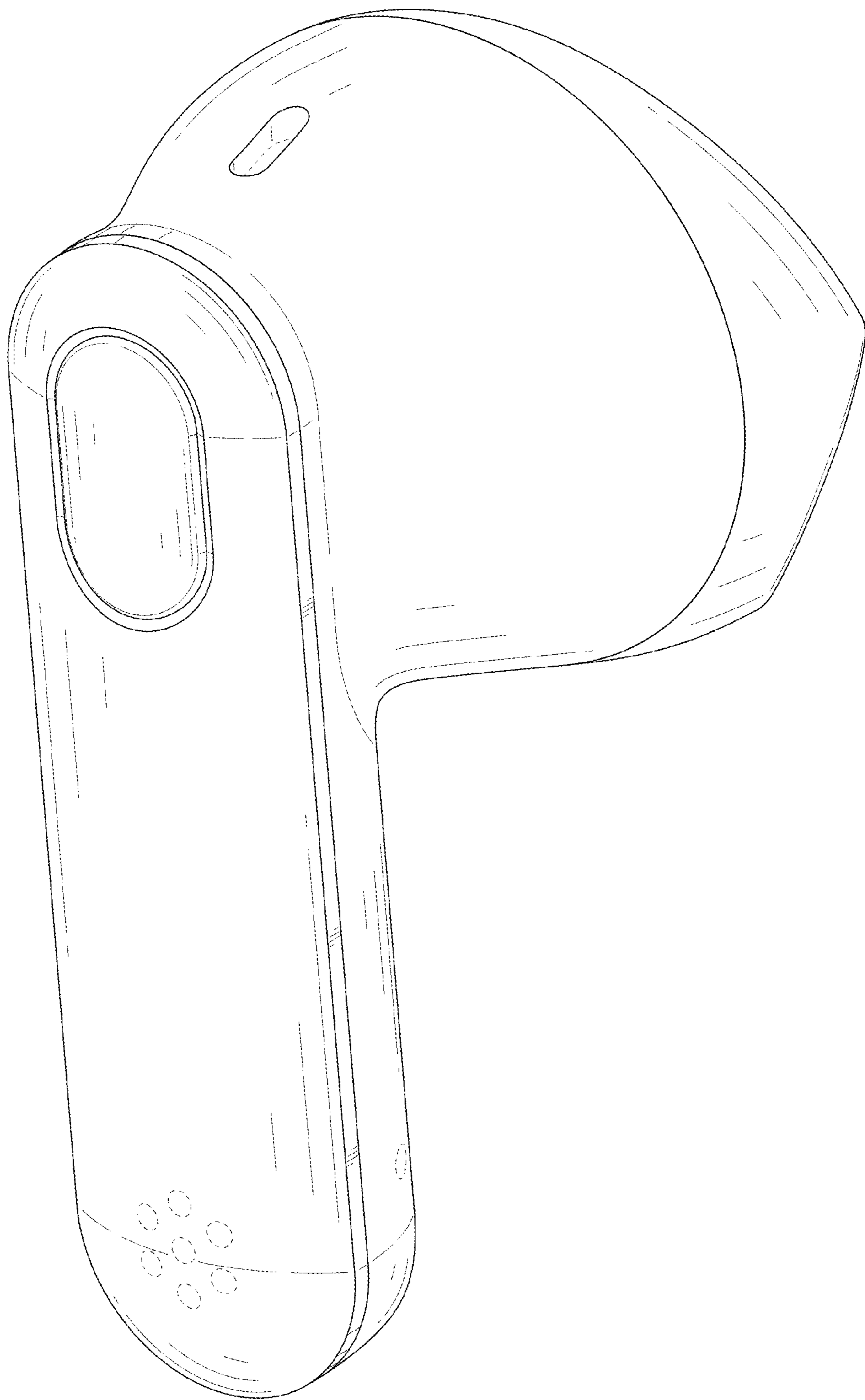


FIG. 1

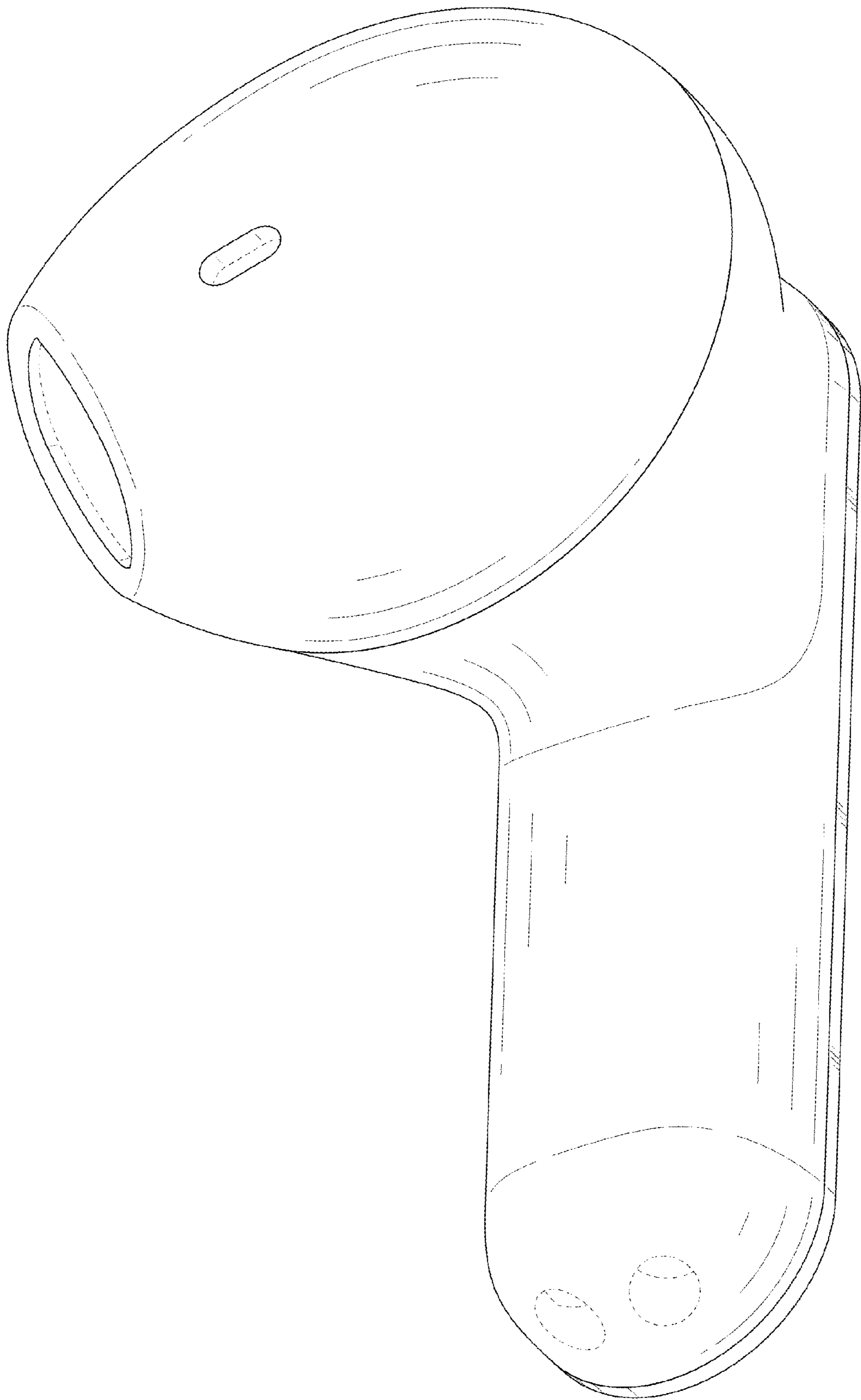


FIG. 2

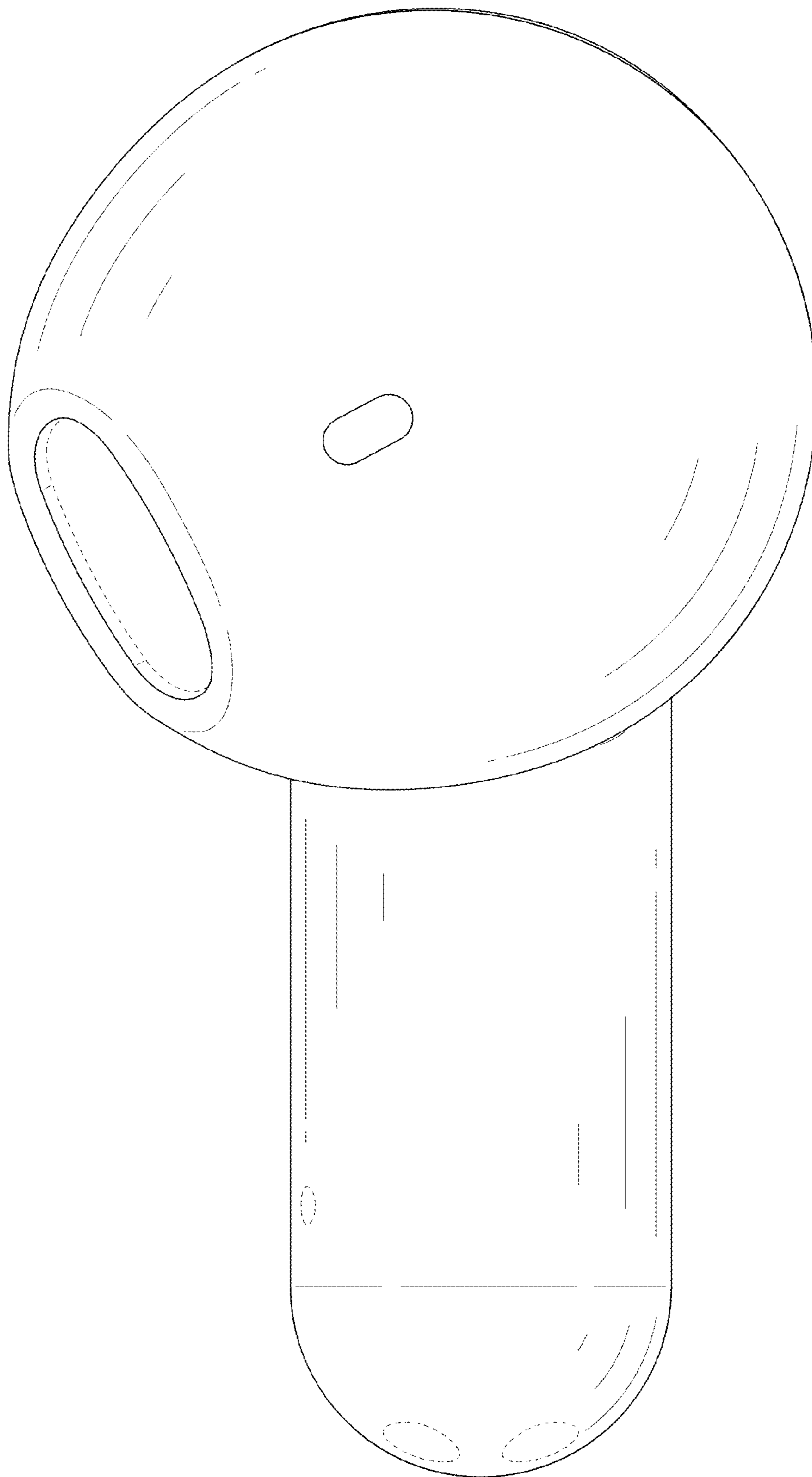


FIG. 3

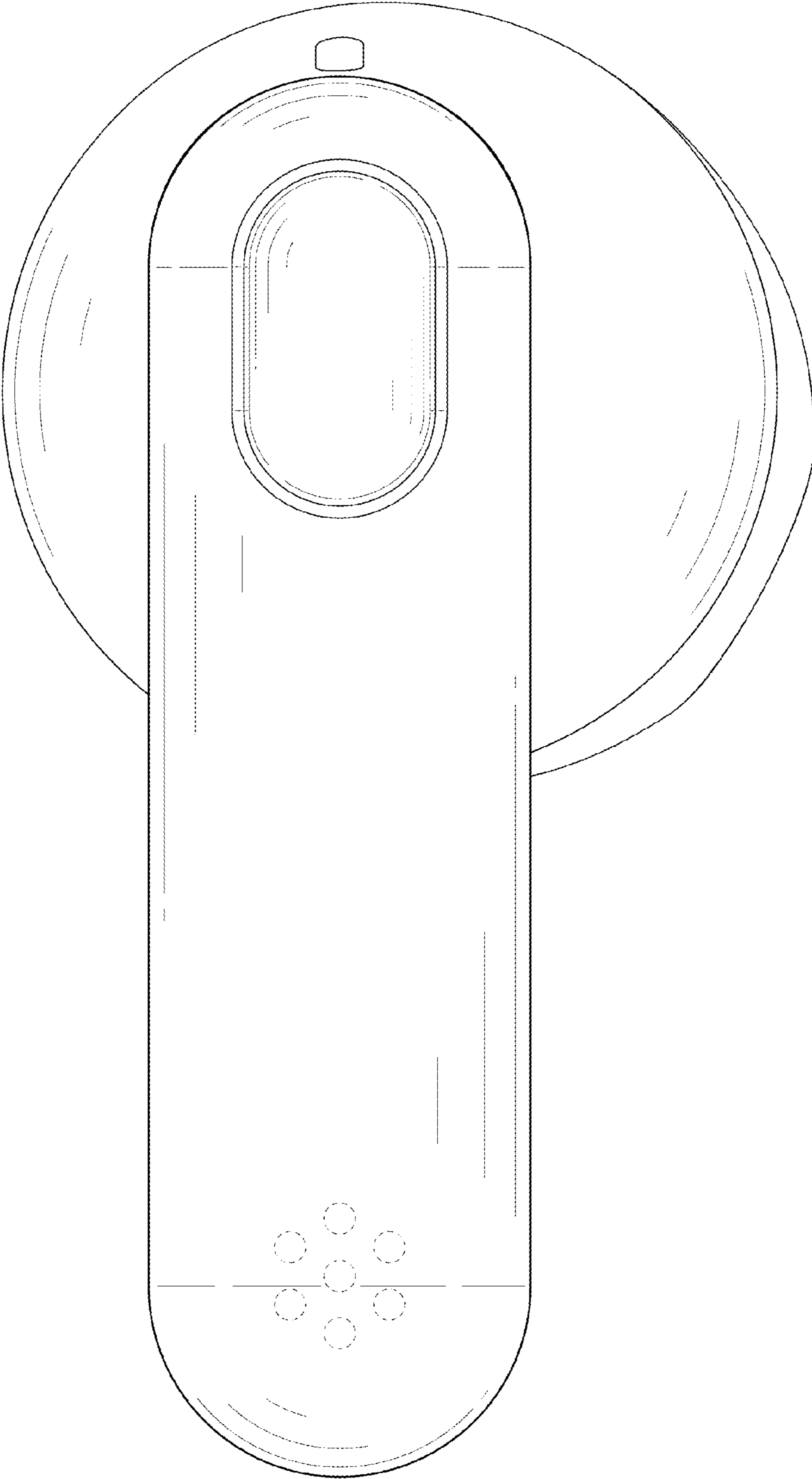


FIG. 4

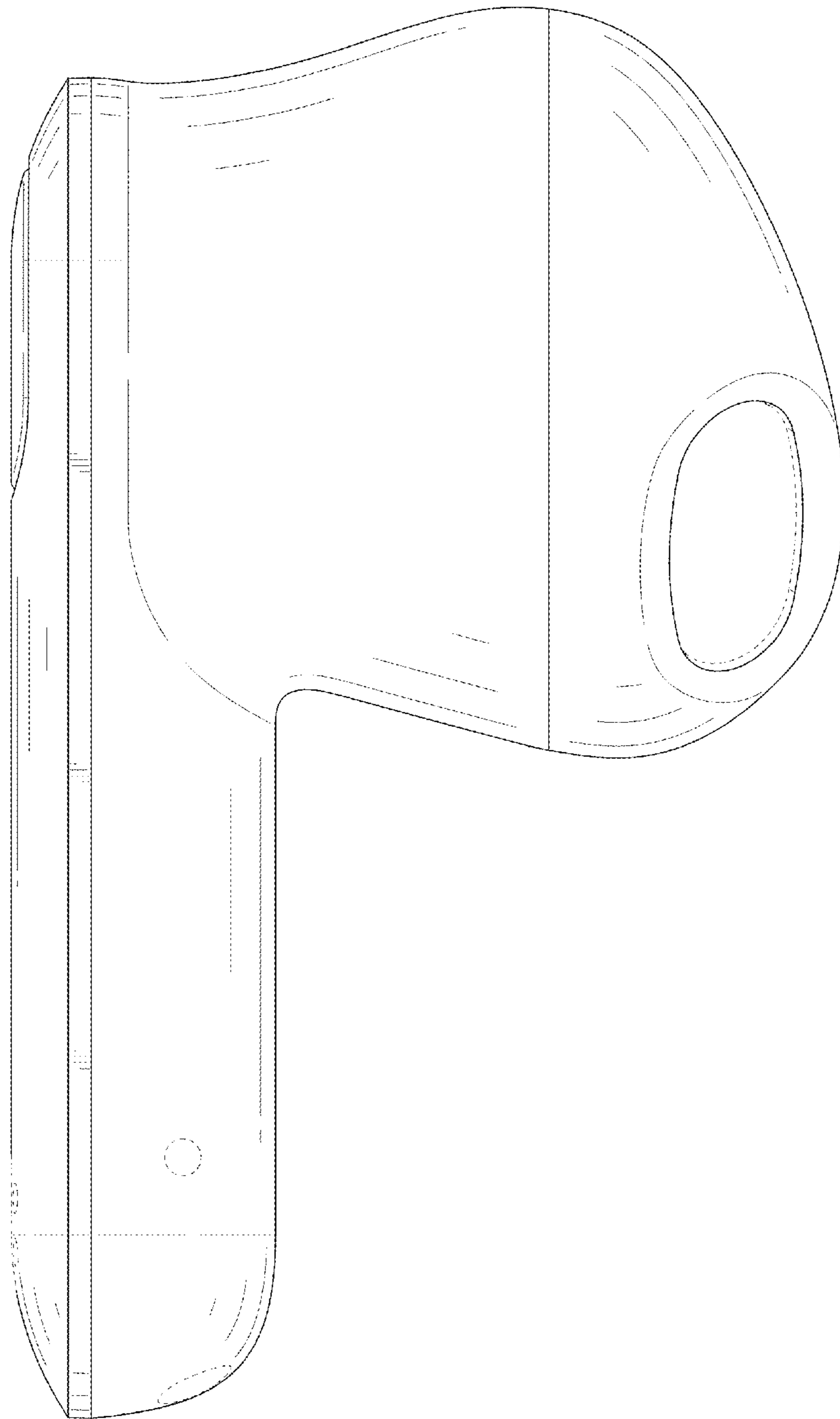


FIG. 5

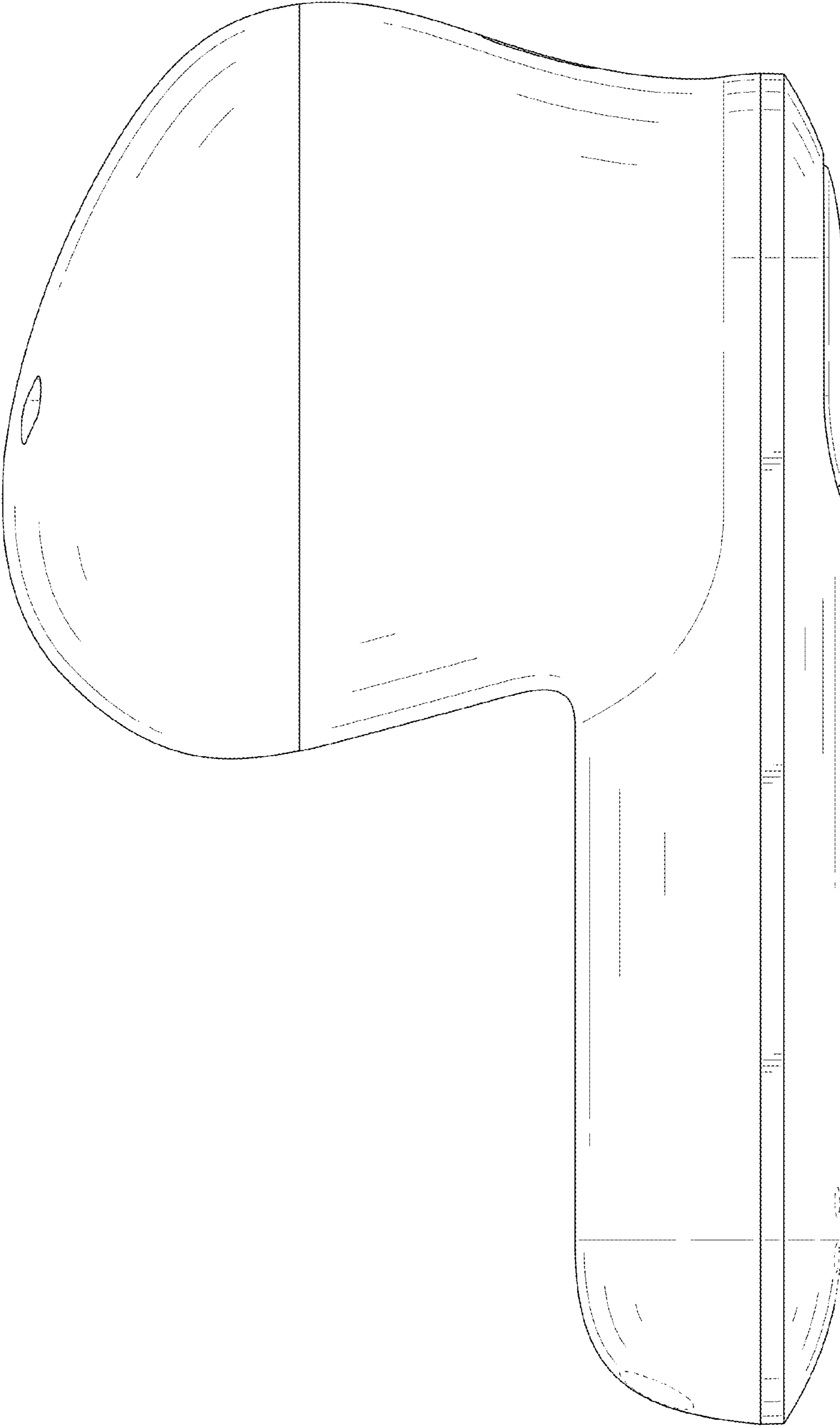


FIG. 6

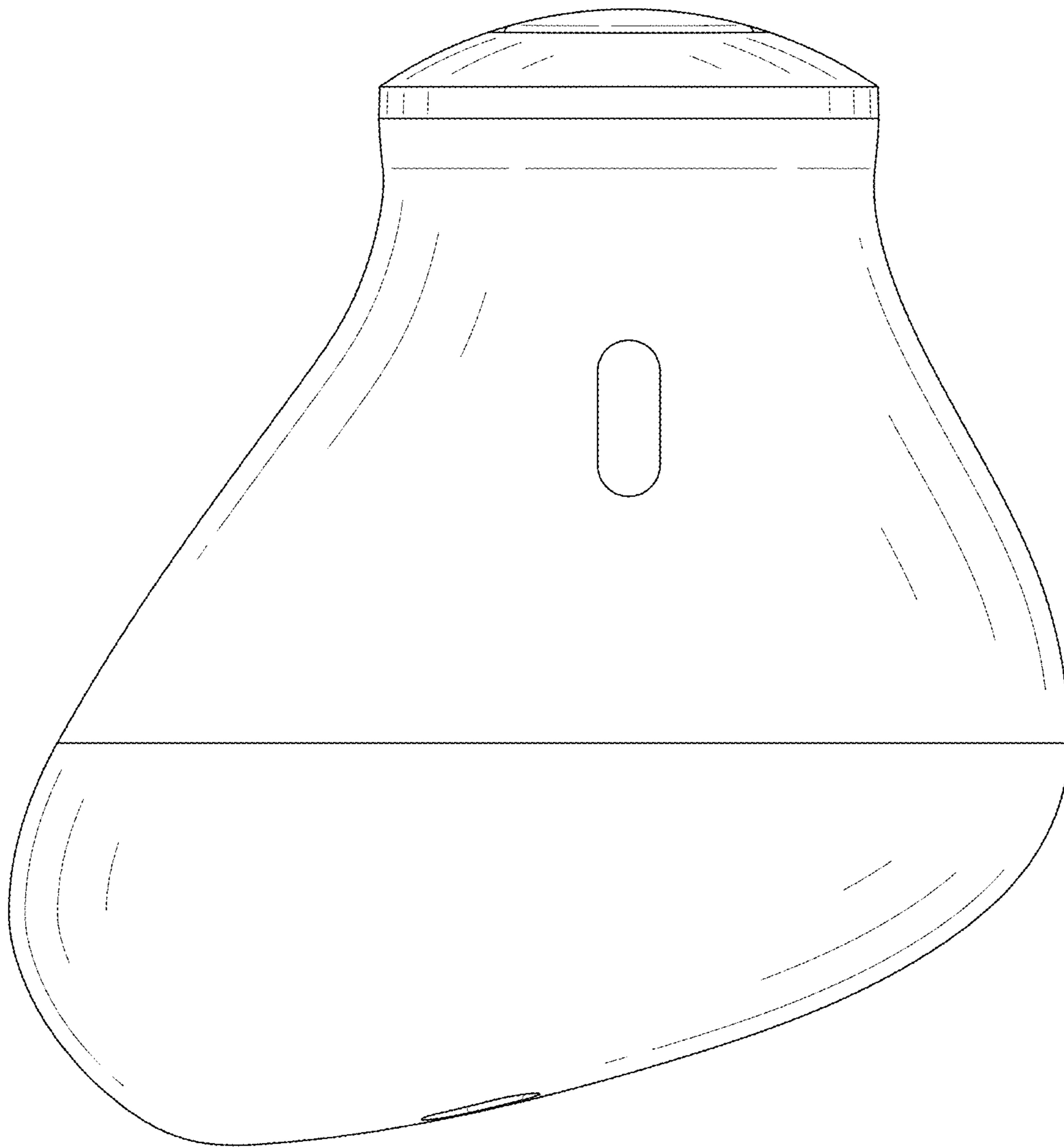


FIG. 7

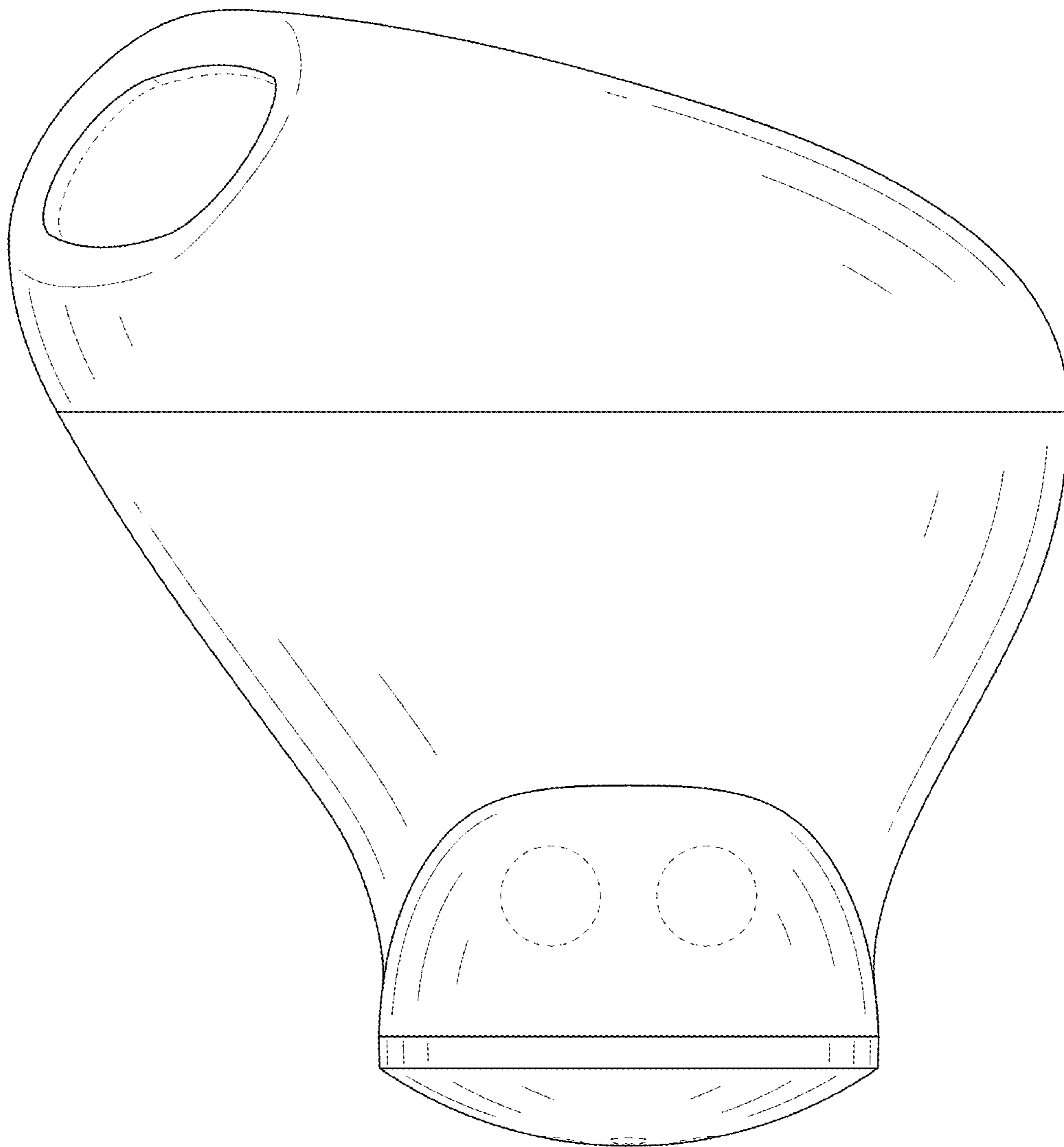


FIG. 8

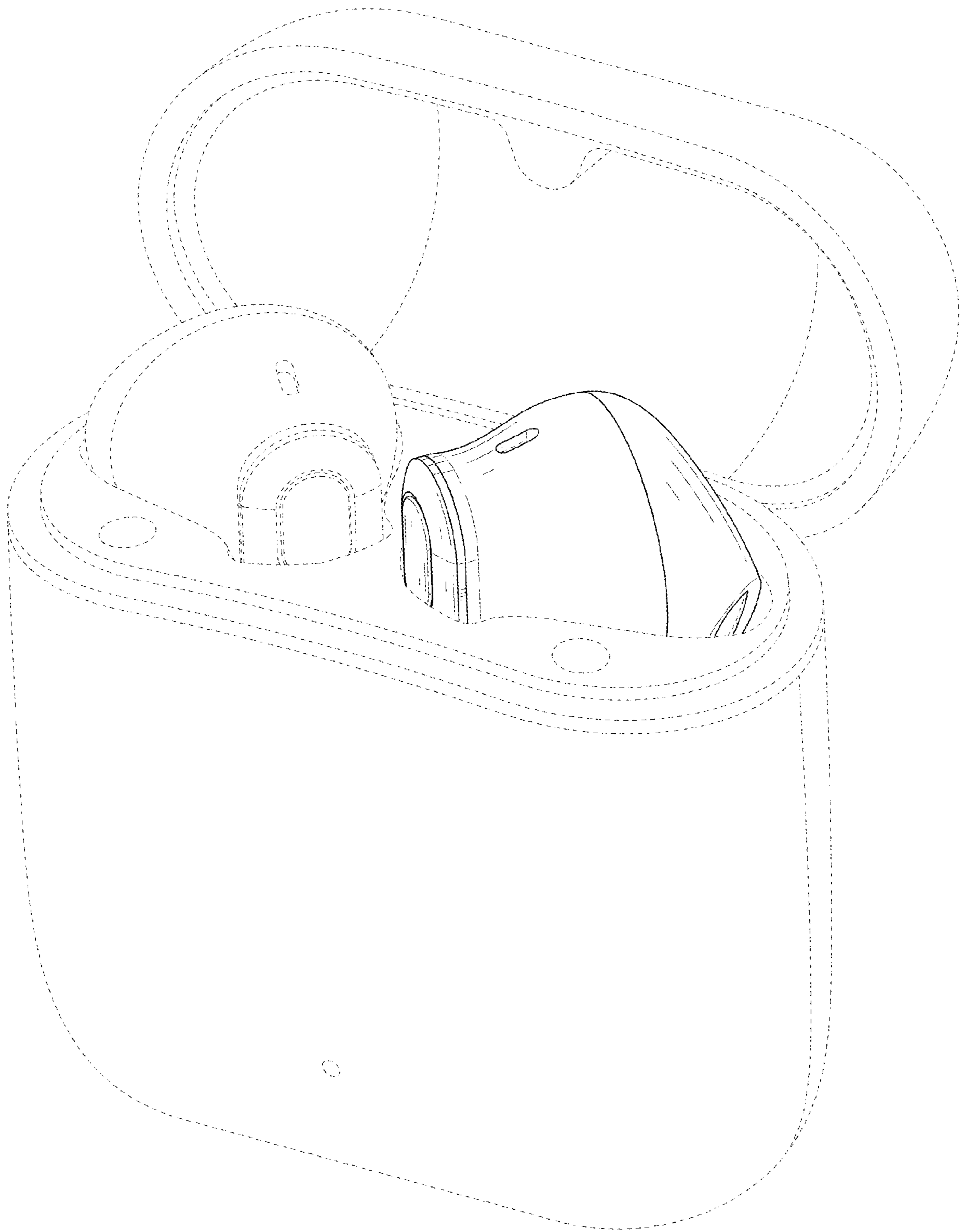


FIG. 9