



US00D914649S

(12) **United States Design Patent**
Chen

(10) **Patent No.:** **US D914,649 S**

(45) **Date of Patent:** **** Mar. 30, 2021**

(54) **EARPHONE**

(71) Applicant: **Shenzhen Orituo Technology Co. Ltd,**
Guangdong (CN)

(72) Inventor: **Boxing Chen,** Guangdong (CN)

(73) Assignee: **Shenzhen Orituo Technology Co. Ltd,**
Guangdong (CN)

(**) Term: **15 Years**

(21) Appl. No.: **29/747,123**

(22) Filed: **Aug. 20, 2020**

(51) **LOC (13) Cl.** **14-01**

(52) **U.S. Cl.**
USPC **D14/223**

(58) **Field of Classification Search**
USPC D14/223, 205; D24/174; 128/864, 865,
128/866; 455/90.3, 575.1, 569.1
CPC H04R 1/10; H04R 25/00; H04R 25/02;
H04R 1/1058; H04R 1/1016; H04R
25/65; H04R 1/20; H04R 1/105; H04R
1/1091; H02J 7/00
See application file for complete search history.

(56) **References Cited**

U.S. PATENT DOCUMENTS

2,529,701 A * 11/1950 Maloff G03B 21/625
359/457
2,875,543 A * 3/1959 Sylvester D06Q 1/00
428/30
2,958,148 A * 11/1960 Sylvester B44F 1/00
428/30
5,410,608 A * 4/1995 Lucey H04R 1/083
381/360
D499,397 S * 12/2004 Hlas D14/223
D531,169 S * 10/2006 Tokioka D14/223
D554,109 S * 10/2007 Ledbetter D14/223
D554,627 S * 11/2007 Gondo D14/223
D573,977 S * 7/2008 Ledbetter D14/205

D573,978 S * 7/2008 Ledbetter D14/205
D595,273 S * 6/2009 Kim D14/223
D604,718 S * 11/2009 Paterson D14/206
D627,765 S * 11/2010 Zheng D14/223
D643,833 S * 8/2011 Lee D14/223
D645,849 S * 9/2011 Kim D14/223
D671,531 S * 11/2012 Kim D14/223
D673,531 S * 1/2013 Lee D14/223
D674,376 S * 1/2013 Kelly D14/223
D679,267 S * 4/2013 Lee D14/223
D681,015 S * 4/2013 Akana H04R 1/10
D14/223
D683,332 S * 5/2013 Lee D14/223
D686,597 S * 7/2013 Lee D14/223
D689,043 S * 9/2013 Burt D14/223

(Continued)

FOREIGN PATENT DOCUMENTS

CN 306273325 * 1/2001
CN 306242141 * 12/2020

Primary Examiner — Paula Allen Greene

(74) *Attorney, Agent, or Firm* — JCIP Global Inc.

(57) **CLAIM**

The ornamental design for an earphone, as shown and described.

DESCRIPTION

FIG. 1 is a perspective view of an earphone showing my new design;

FIG. 2 is a front view thereof;

FIG. 3 is a rear view thereof;

FIG. 4 is a left side view thereof;

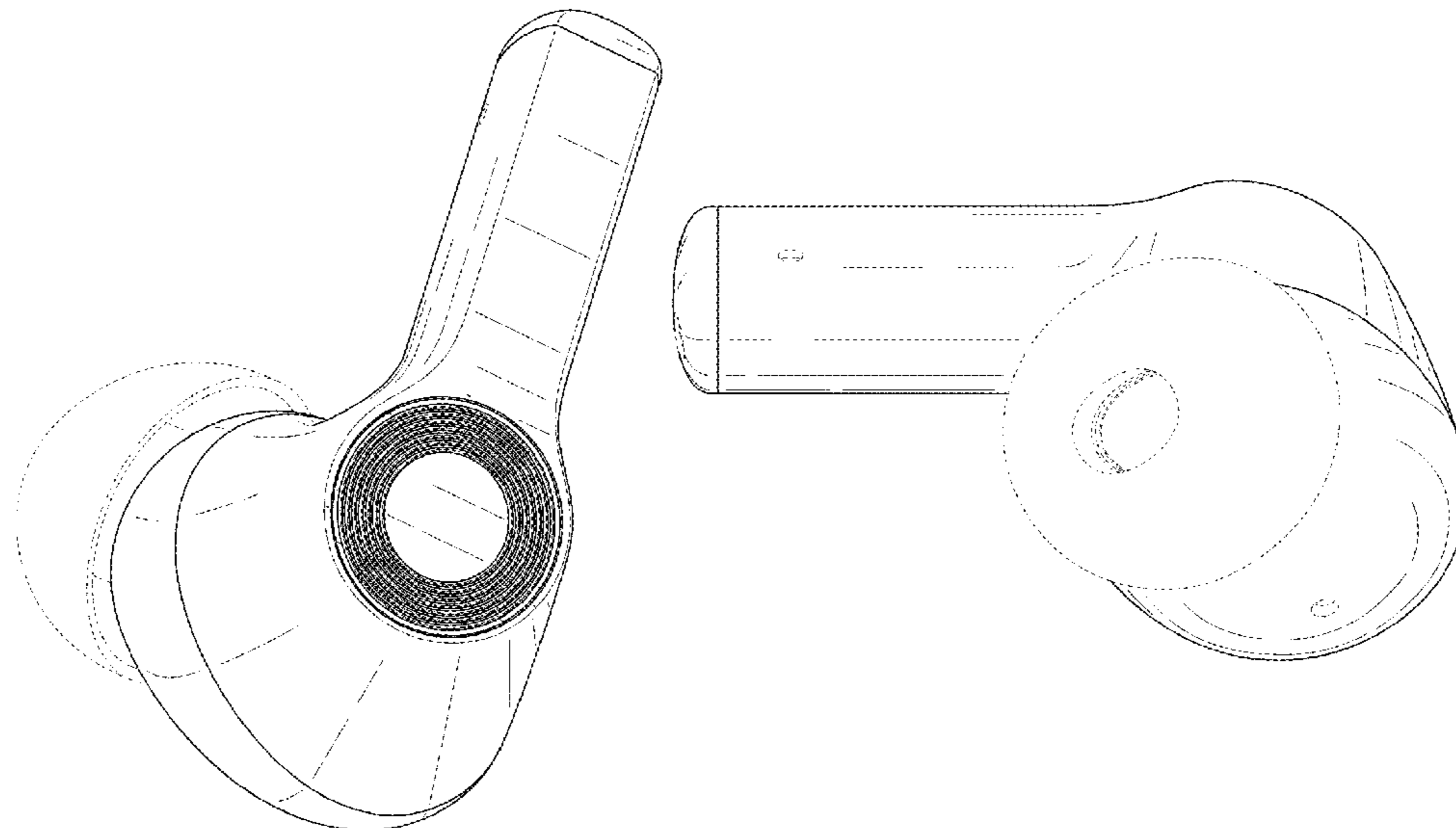
FIG. 5 is a right side view thereof;

FIG. 6 is a top view thereof; and,

FIG. 7 is a bottom view thereof.

The broken line portions of the earphone in FIGS. 1-7 represent unclaimed portions of the claimed design and form no part thereof.

1 Claim, 7 Drawing Sheets



(56)

References Cited

U.S. PATENT DOCUMENTS

D691,594 S * 10/2013 Akana D14/223
 D695,724 S * 12/2013 Ishikura D14/223
 D697,050 S * 1/2014 Thompson D14/206
 D707,205 S * 6/2014 Wenger H04R 25/00
 D14/223
 8,831,266 B1 * 9/2014 Huang H04R 1/2811
 381/380
 D718,286 S * 11/2014 Yang D14/223
 D719,548 S * 12/2014 Thompson D14/223
 9,042,588 B2 * 5/2015 Aase H04R 1/1041
 381/380
 D733,101 S * 6/2015 Pi D14/223
 D742,859 S * 11/2015 Miyake D14/223
 D746,268 S * 12/2015 Karayiannis D14/223
 D746,792 S * 1/2016 Kim D14/205
 D757,682 S * 5/2016 Perez D14/205
 D762,196 S 7/2016 Hsieh et al.
 D762,616 S * 8/2016 Hsieh D14/205
 D770,412 S * 11/2016 Son D14/205
 D801,314 S * 10/2017 Akana D14/223
 D803,184 S * 11/2017 Loh Jun Kern D14/205
 D820,810 S * 6/2018 Levine D14/205
 D829,193 S * 9/2018 Cai D14/223

D830,345 S * 10/2018 Cai D14/223
 D847,794 S * 5/2019 Guo D14/223
 D848,980 S * 5/2019 Kim D14/223
 D848,982 S * 5/2019 Kim D14/223
 D848,983 S * 5/2019 Kim D14/223
 D861,647 S * 10/2019 Chen D14/223
 D862,424 S * 10/2019 You D14/223
 D864,169 S * 10/2019 Min D14/223
 D869,445 S * 12/2019 Hu D14/223
 D872,711 S * 1/2020 Hu D14/223
 D877,722 S * 3/2020 Yang D14/223
 D878,045 S * 3/2020 Akana D3/274
 D878,337 S * 3/2020 Yang D14/223
 D887,396 S * 6/2020 Wang D14/223
 D888,690 S * 6/2020 Yan D14/223
 D893,462 S * 8/2020 Liu D14/223
 D896,207 S * 9/2020 He D14/223
 D907,010 S * 1/2021 Akana D14/223
 D907,606 S * 1/2021 Lin D14/223
 2009/0136074 A1 * 5/2009 Chang H04R 1/06
 381/380
 2012/0237074 A1 * 9/2012 Aase H04R 1/1075
 381/380
 2013/0004011 A1 * 1/2013 Hayashida H04R 1/345
 381/380
 2017/0026738 A1 * 1/2017 Tang H04R 1/1091

* cited by examiner

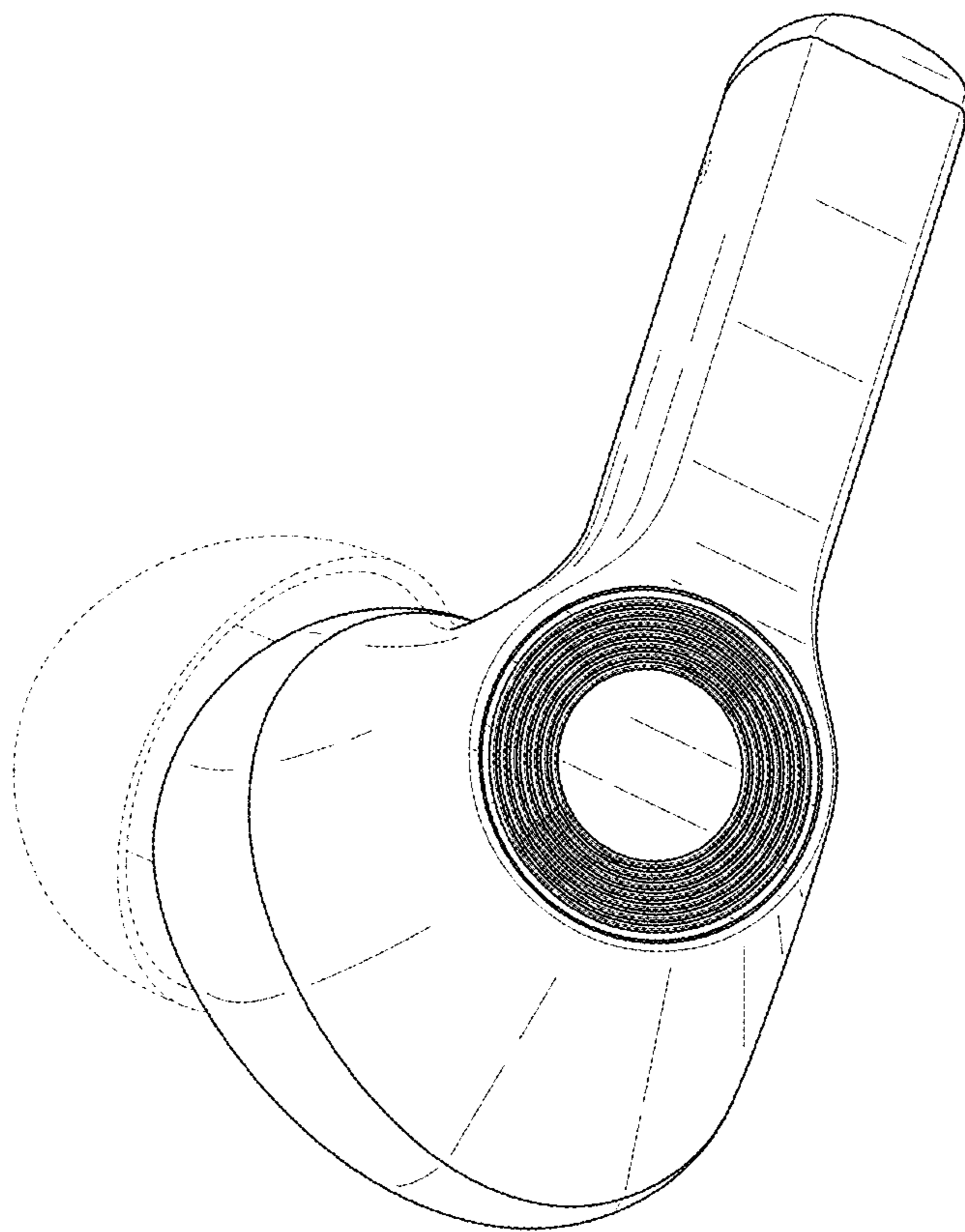


FIG. 1

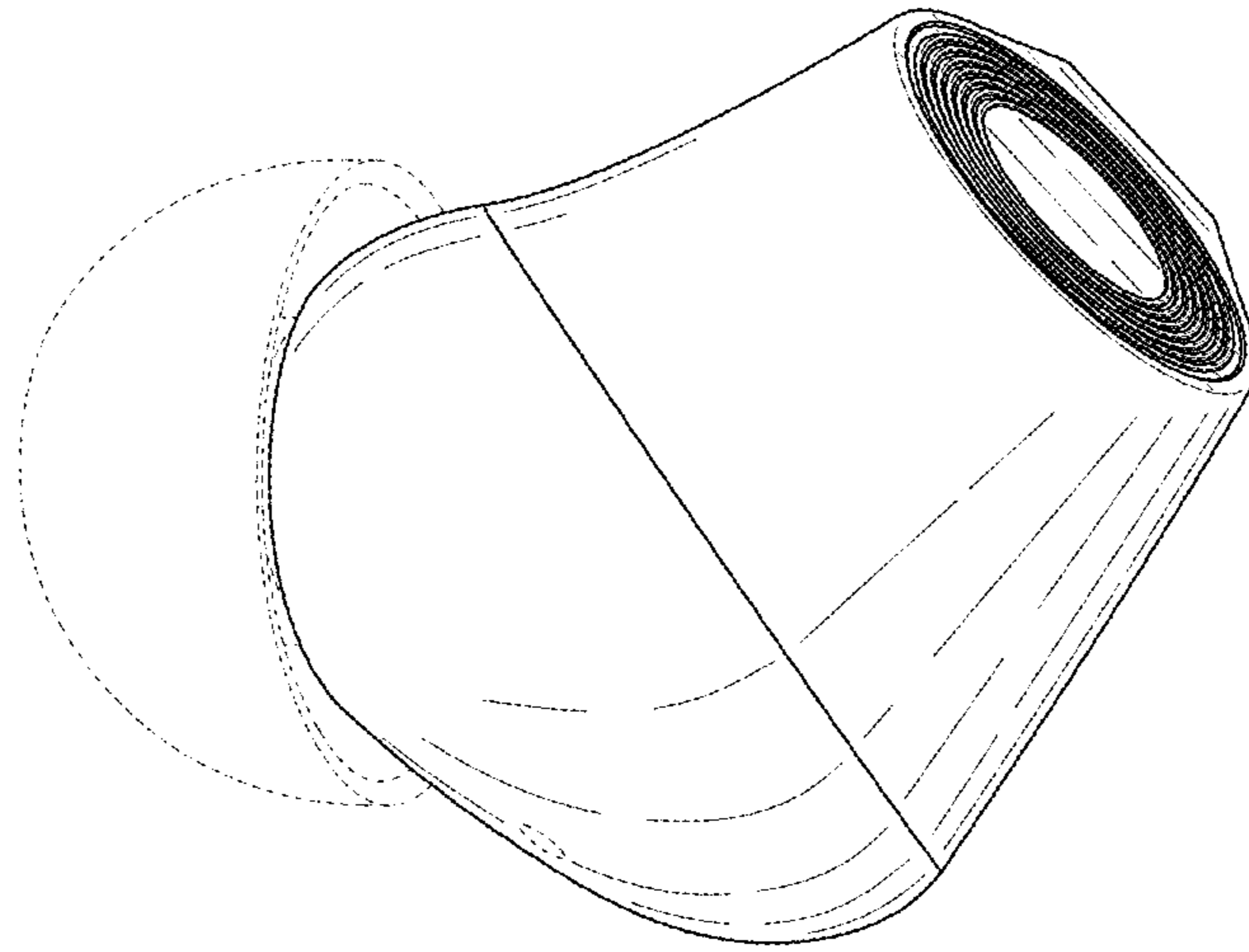


FIG. 2

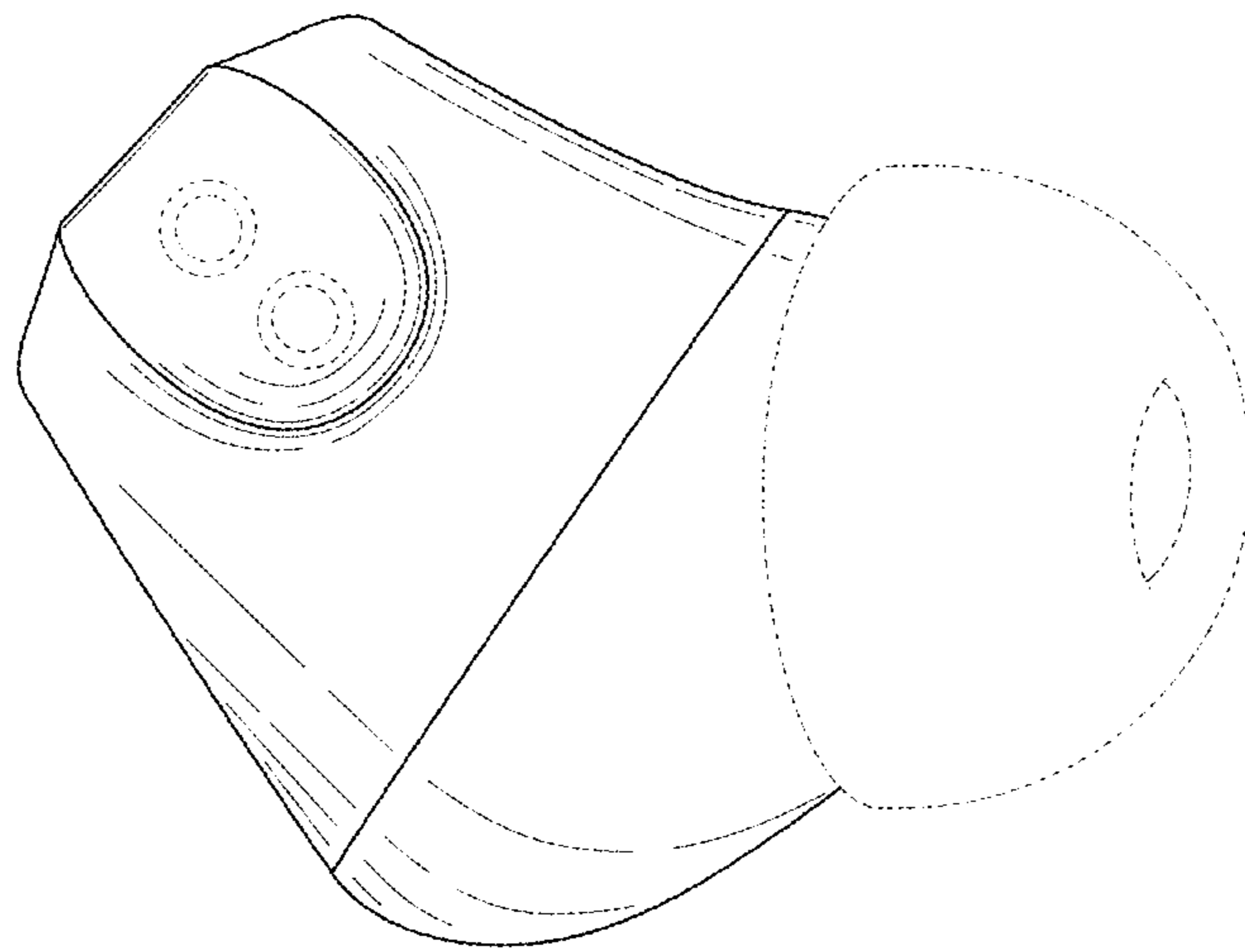


FIG. 3

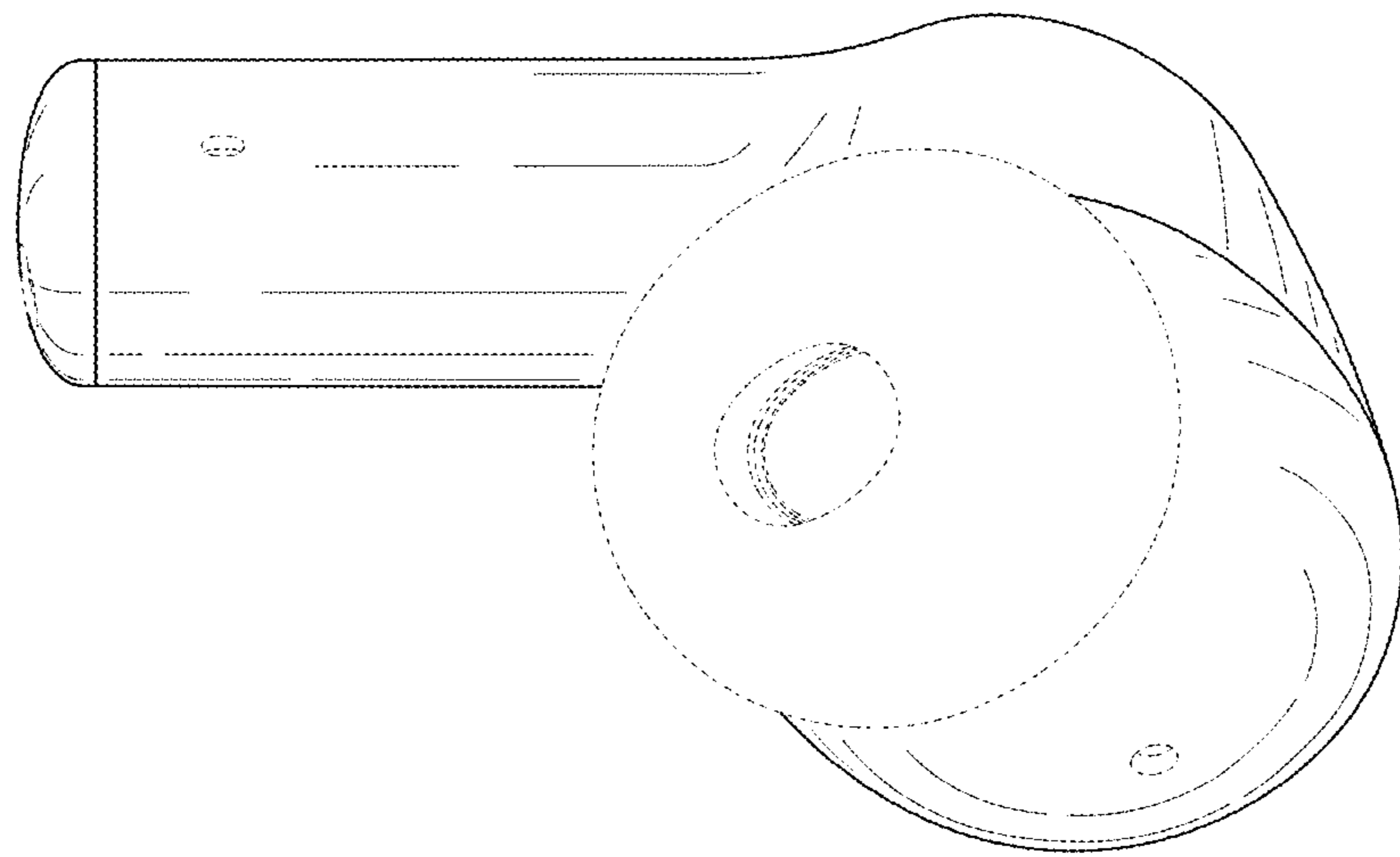


FIG. 4

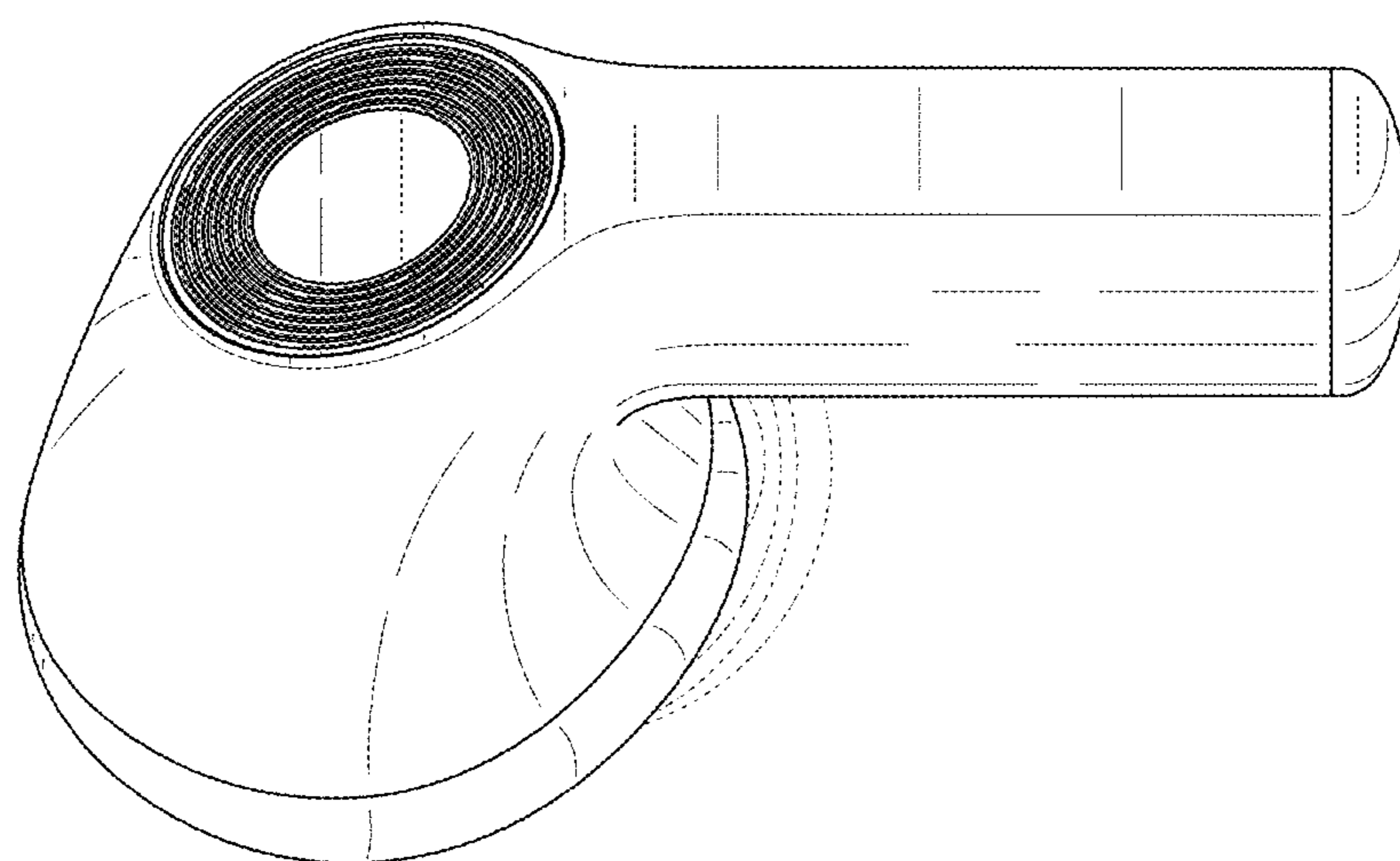


FIG. 5

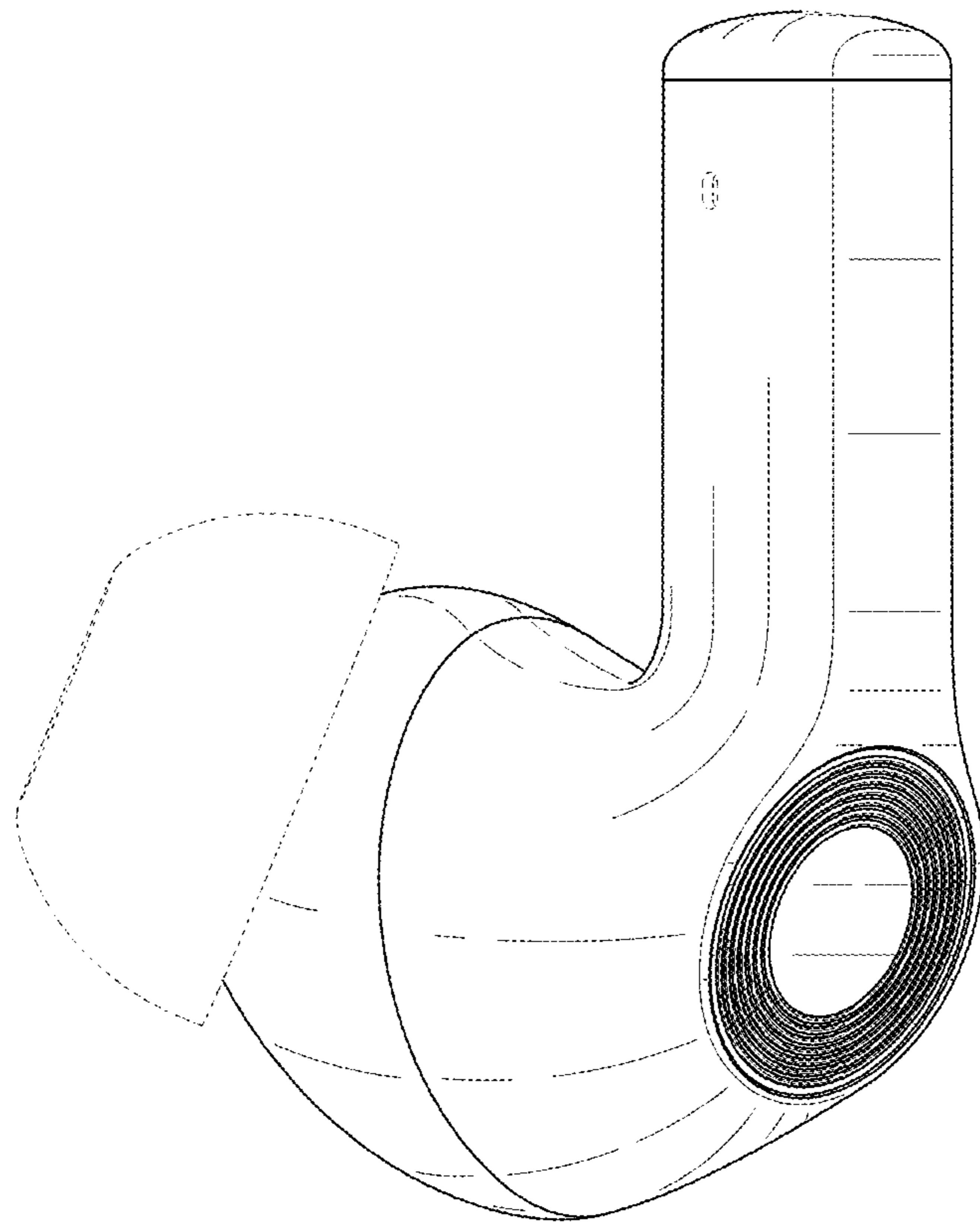


FIG. 6

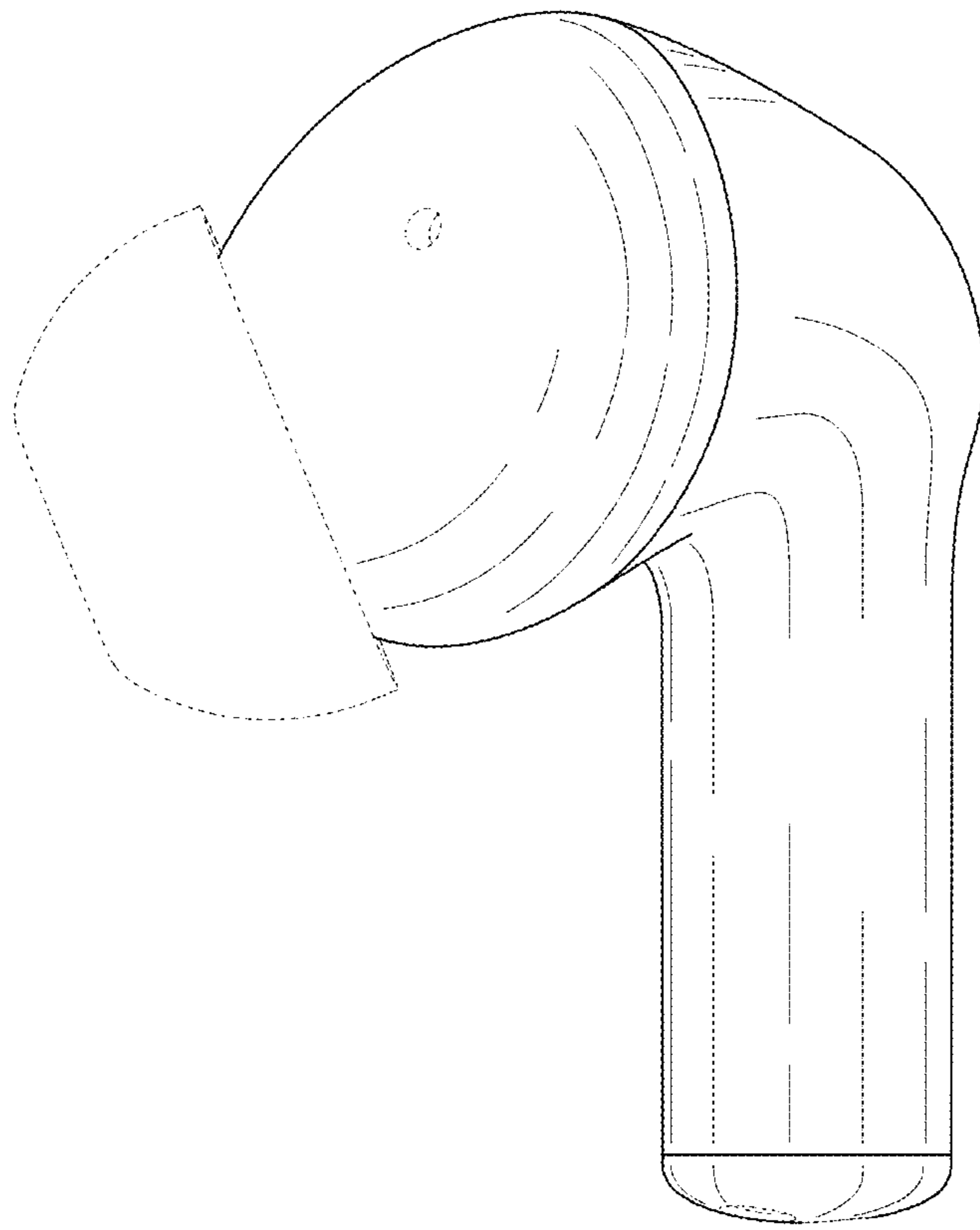


FIG. 7