



US00D914647S

(12) **United States Design Patent**
Yang

(10) **Patent No.:** **US D914,647 S**

(45) **Date of Patent:** **** Mar. 30, 2021**

(54) **EARPHONE**

(71) Applicant: **Shenzhen Ginto E-Commerce Co., Limited**, Shenzhen (CN)

(72) Inventor: **Yong Yang**, Shenzhen (CN)

(73) Assignee: **SHENZHEN GINTO E-COMMERCE CO., LIMITED**, Shenzhen (CN)

(**) Term: **15 Years**

(21) Appl. No.: **29/723,926**

(22) Filed: **Feb. 12, 2020**

(30) **Foreign Application Priority Data**

Jan. 21, 2020 (CN) 202030042745.0

(51) **LOC (13) Cl.** **14-01**

(52) **U.S. Cl.**
USPC **D14/223**

(58) **Field of Classification Search**
USPC ... D14/205, 207, 217, 221, 223, 224, 224.1, D14/225; D24/173, 174
CPC H04R 1/10; H04R 1/1016; H04R 1/1066; H04R 1/105; H04R 1/1033; H04R 1/08; H04R 5/033; H04R 5/0335; H04R 25/00
See application file for complete search history.

(56) **References Cited**

U.S. PATENT DOCUMENTS

D529,901 S	*	10/2006	Ohta	D14/223
D707,652 S	*	6/2014	Brunner	H04R 1/1016
					D14/205
D796,489 S	*	9/2017	Arimoto	D14/223
D815,069 S	*	4/2018	Xiong	D14/223
D829,193 S	*	9/2018	Cai	D14/223
D831,619 S	*	10/2018	Matoba	D14/223
D847,794 S	*	5/2019	Guo	D14/223
D848,983 S	*	5/2019	Kim	D14/223
D872,711 S	*	1/2020	Hu	D14/223
D875,713 S	*	2/2020	Kim	D14/205
D877,722 S	*	3/2020	Yang	D14/223

D882,553 S	*	4/2020	Wu	D14/223
D883,260 S	*	5/2020	Hu	D14/223
D887,396 S	*	6/2020	Wang	D14/223
D888,690 S	*	6/2020	Yan	D14/223
D888,692 S	*	6/2020	Cheng	D14/223
D890,138 S	*	7/2020	Peng	D14/223
D890,724 S	*	7/2020	Li	D14/223
D893,462 S	*	8/2020	Liu	D14/223
D894,875 S	*	9/2020	Zhao	D14/223
D895,579 S	*	9/2020	Yang	D14/223

(Continued)

FOREIGN PATENT DOCUMENTS

CN 202030042745.0 * 1/2020

OTHER PUBLICATIONS

Dudios Shuttle True Wireless Earbuds, announced Oct. 11, 2019 [online], retrieved Jan. 27, 2021, retrieved from internet, <https://www.head-fi.org/showcase/dudios-shuttle-true-wireless-earbuds.23985/>.*

(Continued)

Primary Examiner — Dana K Weiland
Assistant Examiner — Messina L Smith

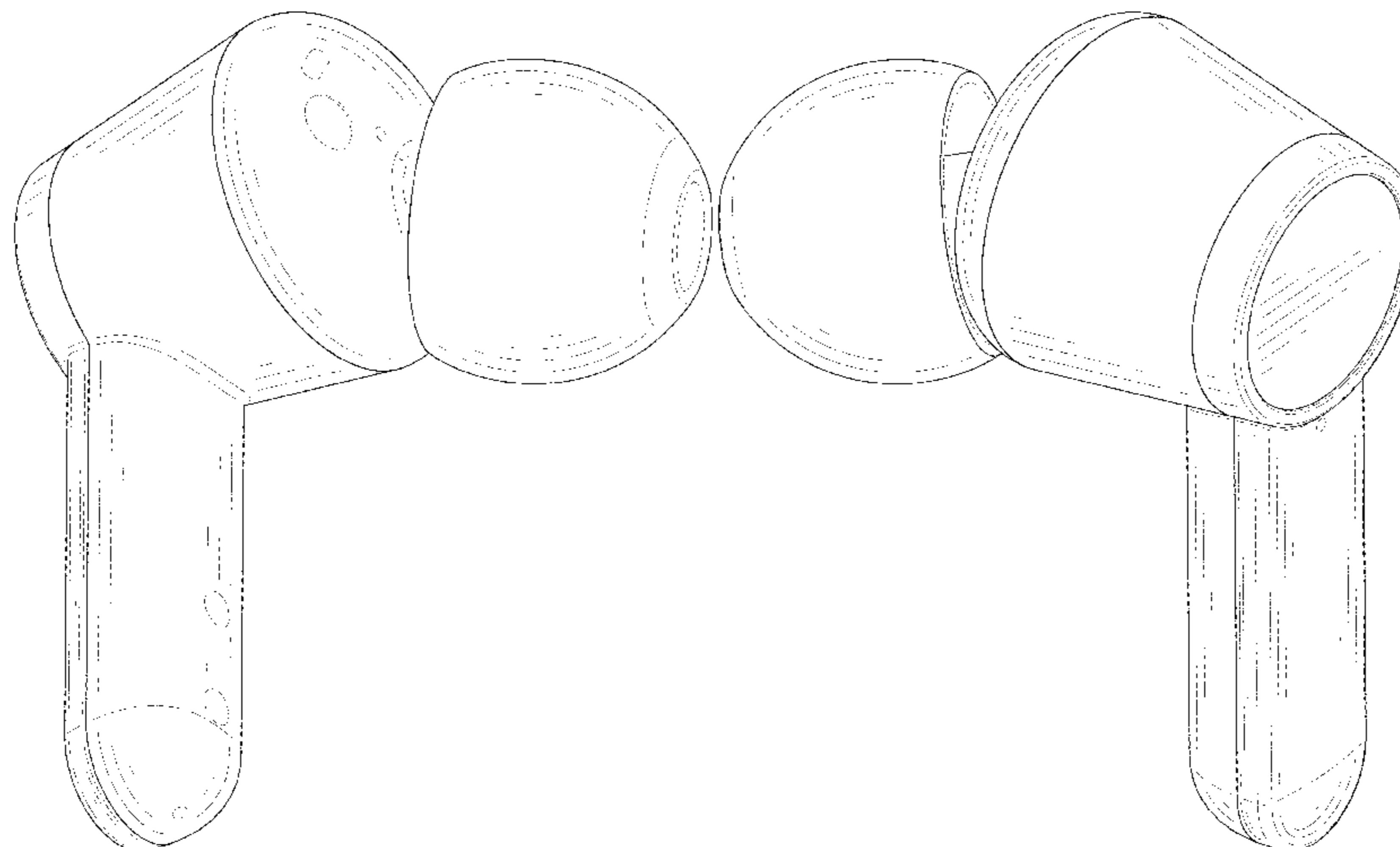
(57) **CLAIM**

The ornamental design for an earphone, as shown and described.

DESCRIPTION

FIG. 1 is a perspective view of an earphone showing my new design;
FIG. 2 is another perspective view thereof;
FIG. 3 is a front elevational view thereof;
FIG. 4 is a rear elevational view thereof;
FIG. 5 is a left side elevational view thereof;
FIG. 6 is a right side elevational view thereof;
FIG. 7 is a top plan view thereof; and,
FIG. 8 is a bottom plan view thereof.
The broken lines in the drawings depict portions of the earphone that form no part of the claimed design.

1 Claim, 8 Drawing Sheets



(56)

References Cited

U.S. PATENT DOCUMENTS

D895,582	S	*	9/2020	Wu	D14/223
D896,206	S	*	9/2020	Xu	D14/223
D896,207	S	*	9/2020	He	D14/223
D904,351	S	*	12/2020	Zhang	D14/223
D905,016	S	*	12/2020	Takubo	D14/223
D905,018	S	*	12/2020	Zhu	D14/223
D905,020	S	*	12/2020	Du	D14/223
D906,297	S	*	12/2020	Akana	D14/223
D907,008	S	*	1/2021	Yao	D14/223
D908,114	S	*	1/2021	Jung	D14/223
2020/0177986	A1	*	6/2020	Wen	H04R 1/1083

OTHER PUBLICATIONS

Earpods With 3.5 MM Headphone Plug, announced © 2015-2020 [online], retrieved Jan. 27, 2021, retrieved from internet, <https://wandkey.com/product/earpods-with-3-5-mm-headphone-plug/>.*

Sport Magnetic Wireless Bluetooth Earphones, announced © 2015-2018 [online], retrieved Jan. 27, 2021, retrieved from internet, http://www.damostar.com/goods/7876712/Sport_Magnetic_Wireless_Bluetooth_Earphones_Headband_Receiver_Headsets_HD_Stereo_Sweatproof_Earbuds_for_Sports_and_Trav.html.*

Shenzhen Customization Brand V5.0 Bluetooth In-ear Headphone Wireless Earphone Earbuds, announced © 2021 [online], retrieved Jan. 27, 2021, retrieved from internet, <https://www.globalsources.com/Bluetooth-headphone/wireless-earphone-1177079415p.htm#1177079415>.*

HOPESTAR-S17, announced © 2013 [online], retrieved Jan. 27, 2021, retrieved from internet, <http://www.hopestar.hk/hd1/show/137.html>.*

CN version Xiaomi Mi Airdots Pro Binaural TWS BT Earphones Wireless Earbuds, announced © 1999-2021 [online], retrieved Jan. 27, 2021, retrieved from internet, https://diglex.en.alibaba.com/product/62022283302-815208764/CN_version_Xiaomi_Mi_Airdots_Pro_Binaural_TWS_BT_Earphones_Wireless_Earbuds.html.*

* cited by examiner

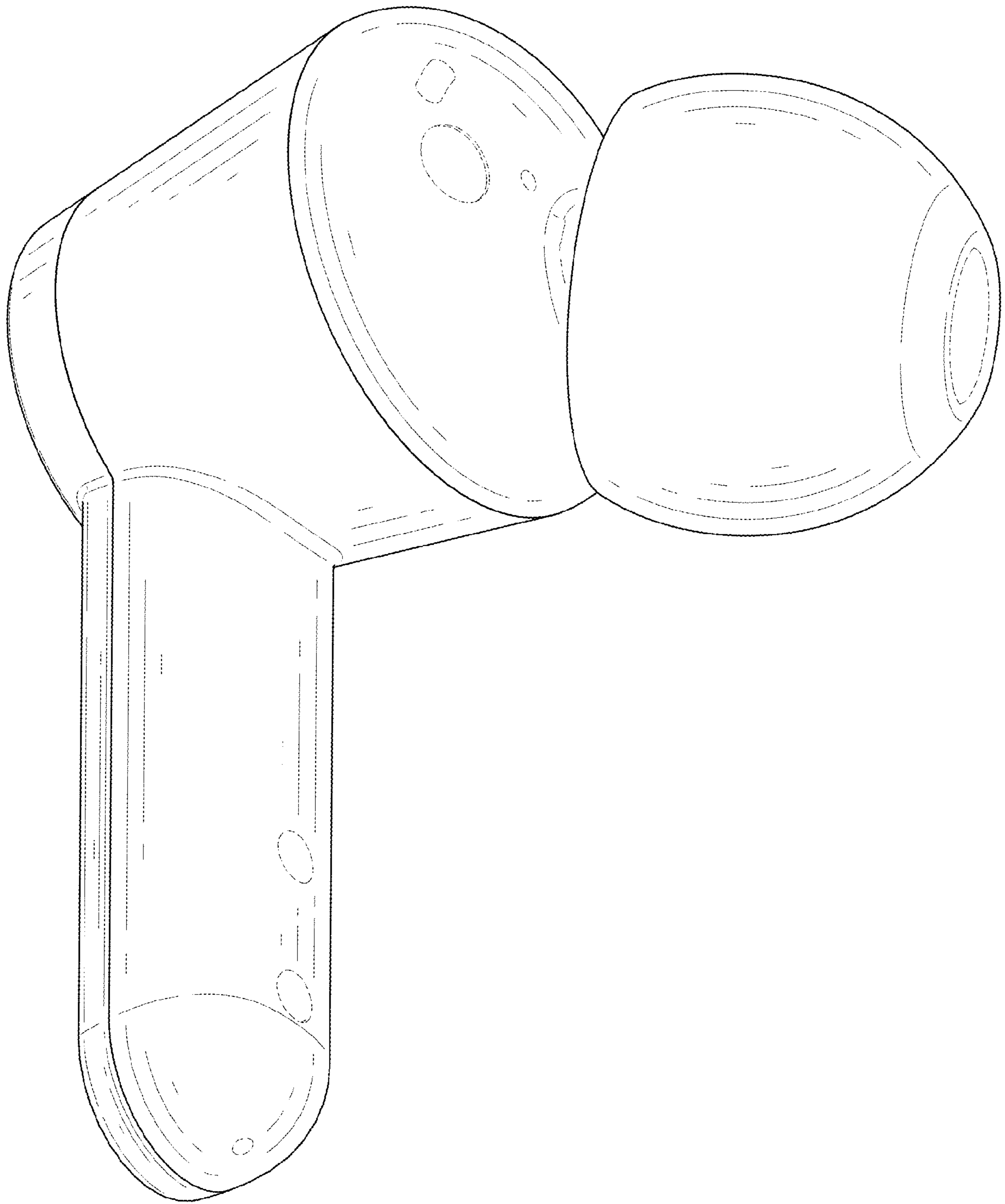


FIG. 1

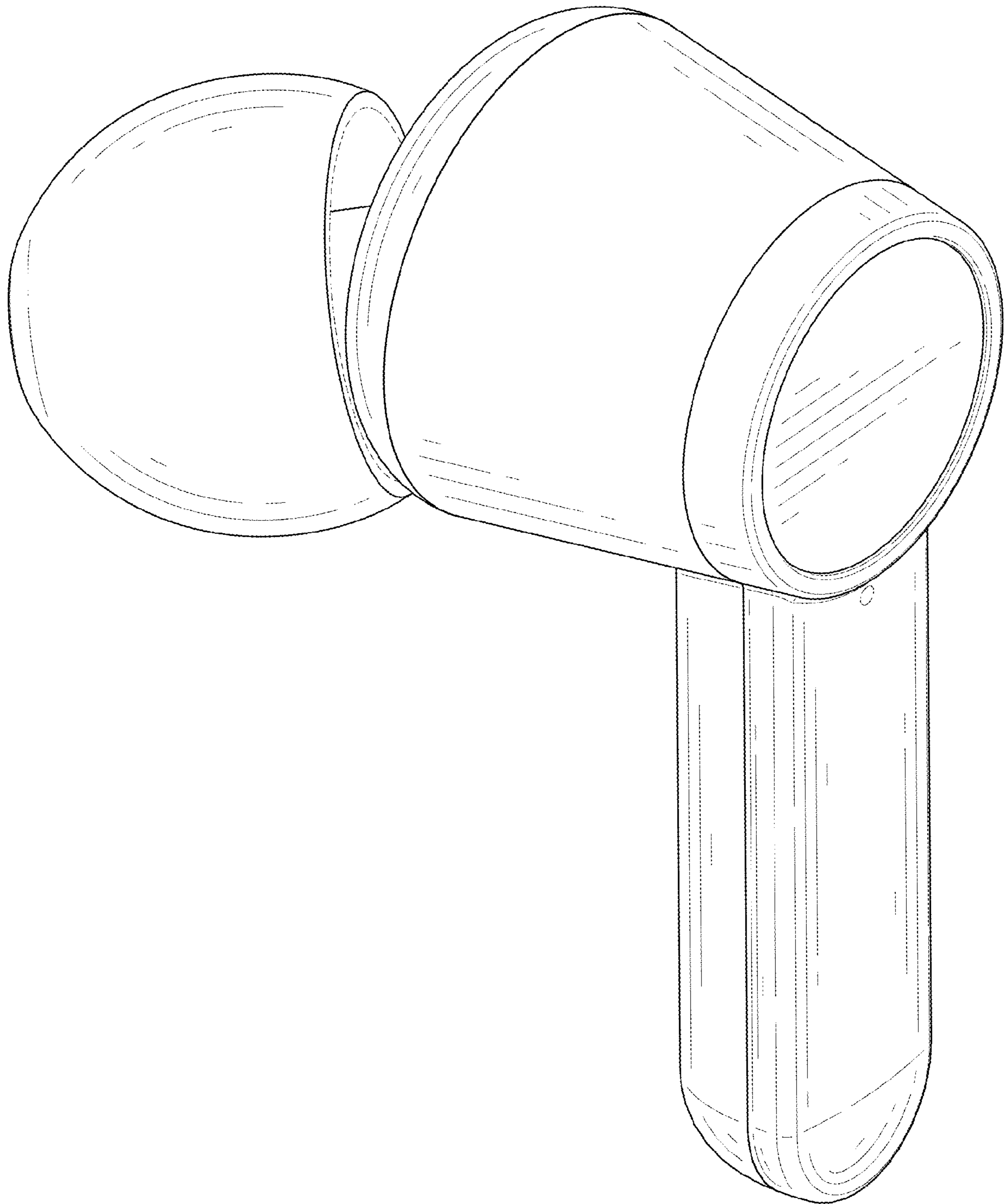


FIG. 2

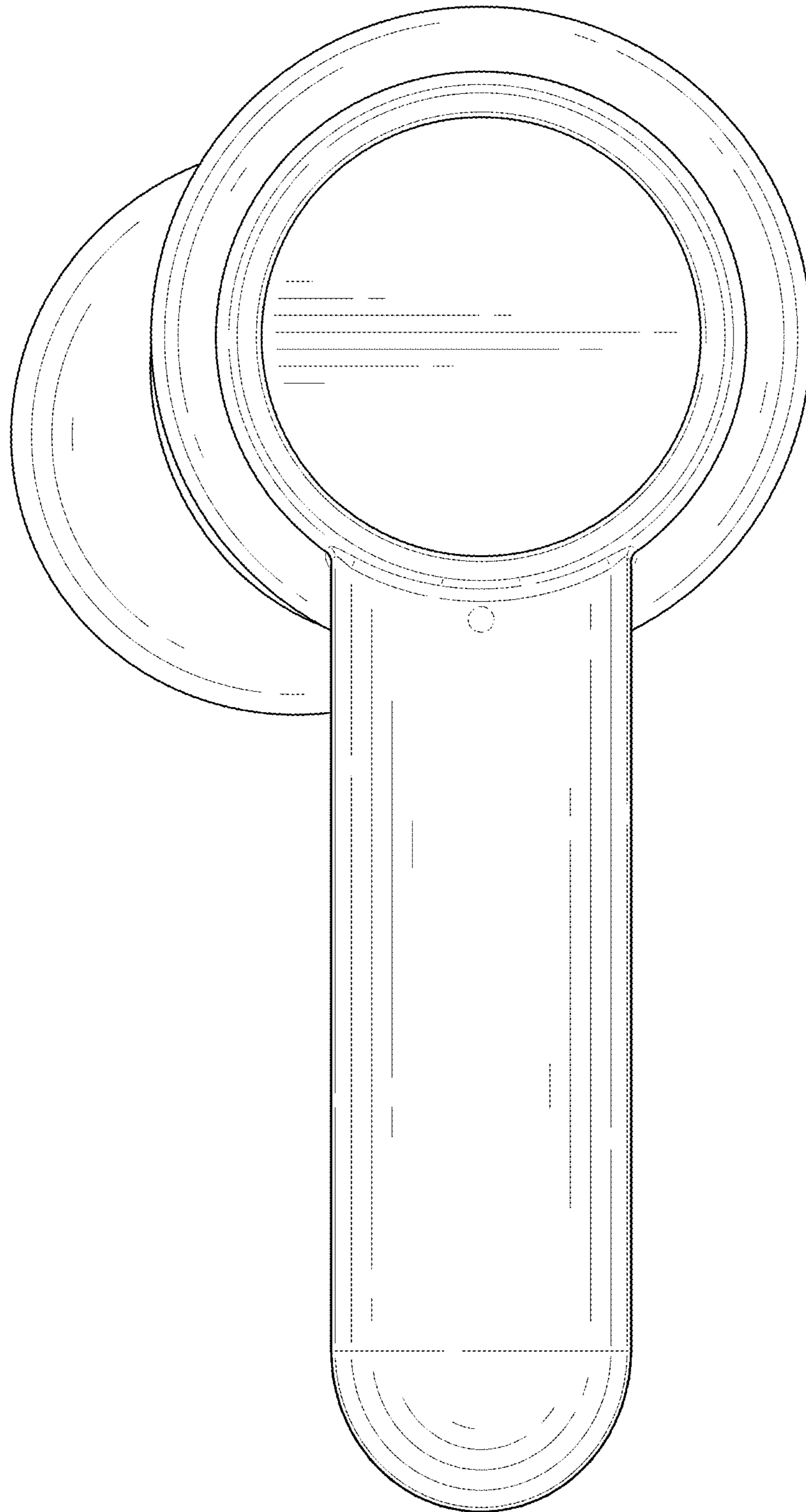


FIG. 3

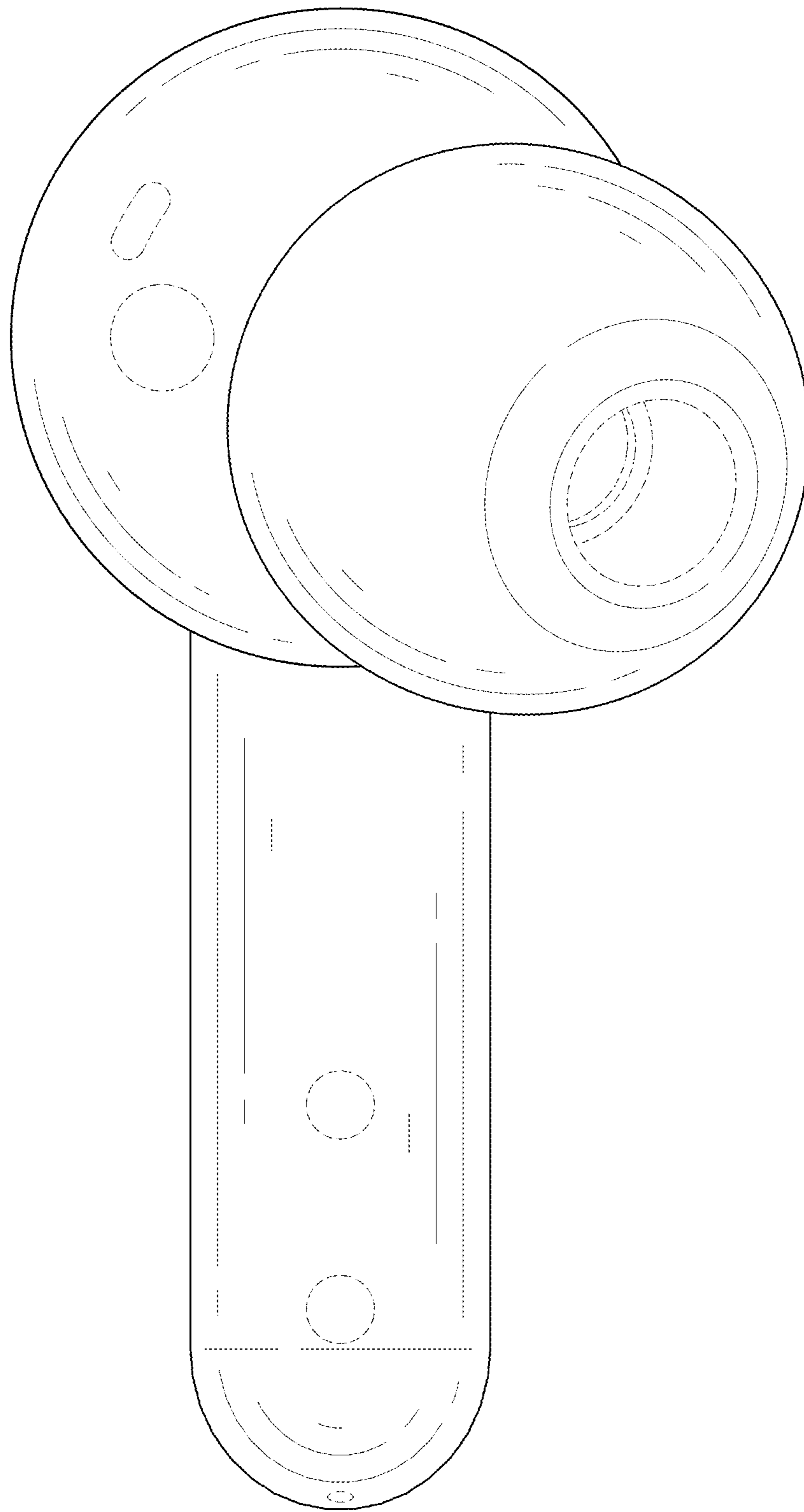


FIG. 4

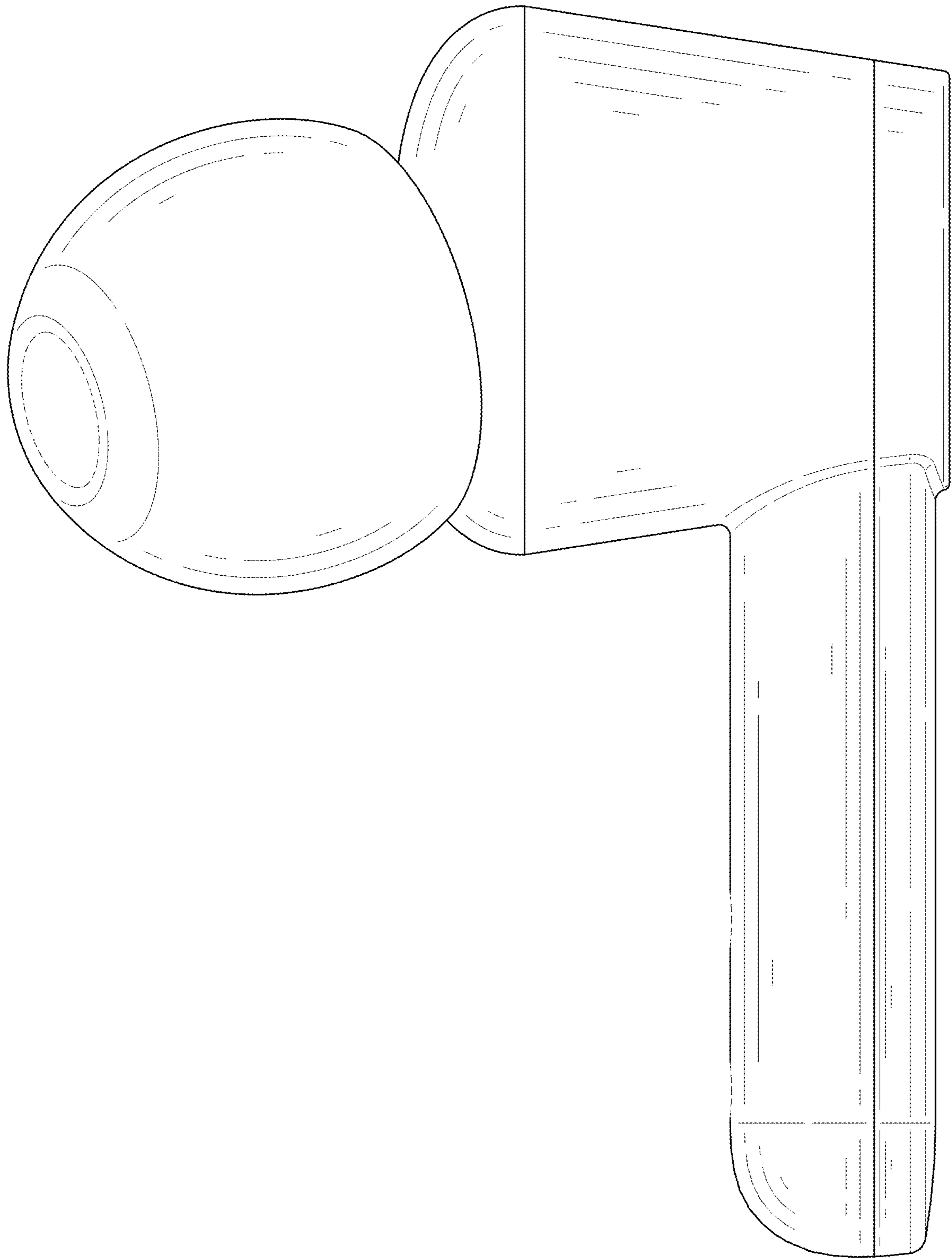


FIG. 5

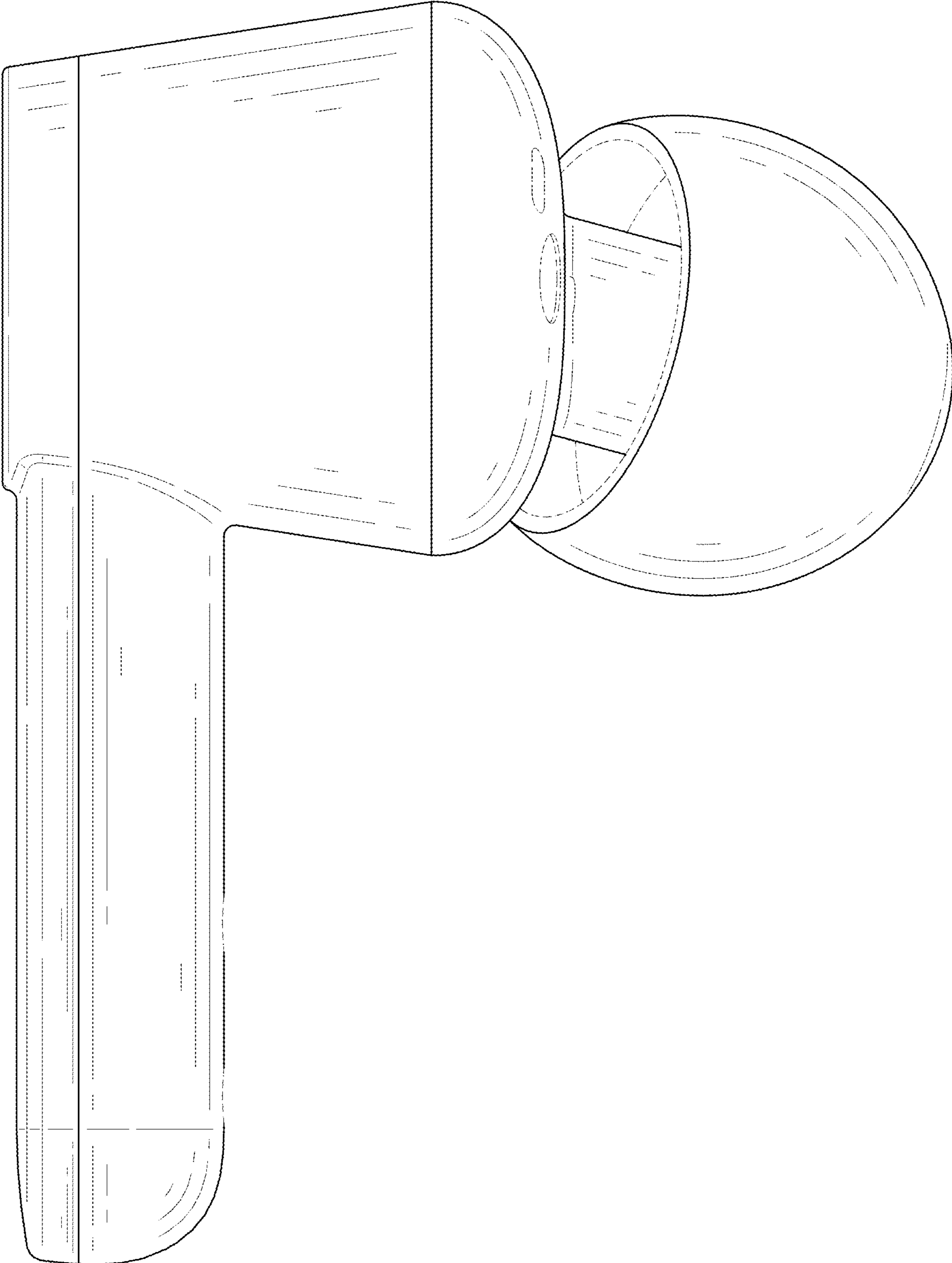


FIG. 6

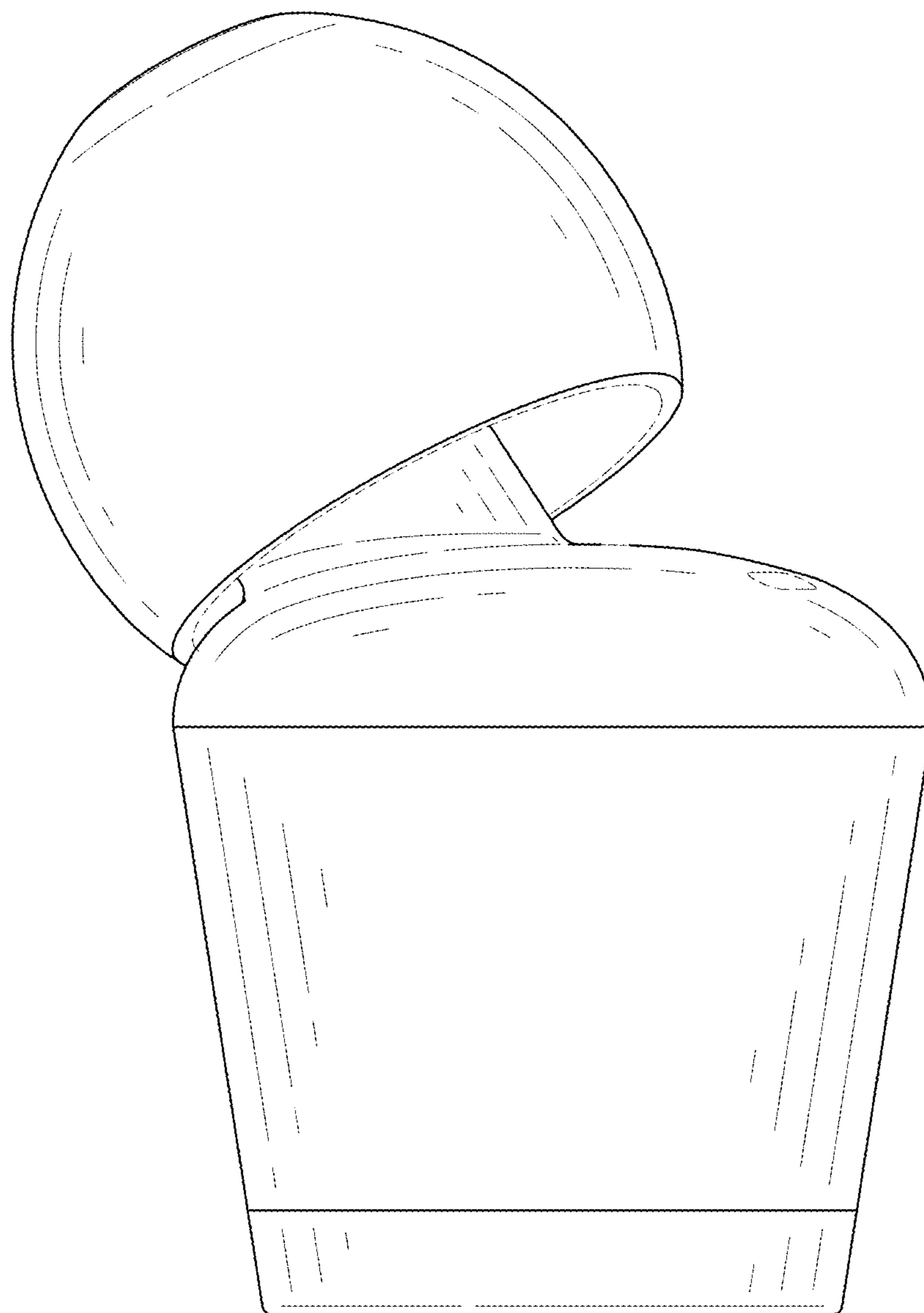


FIG. 7

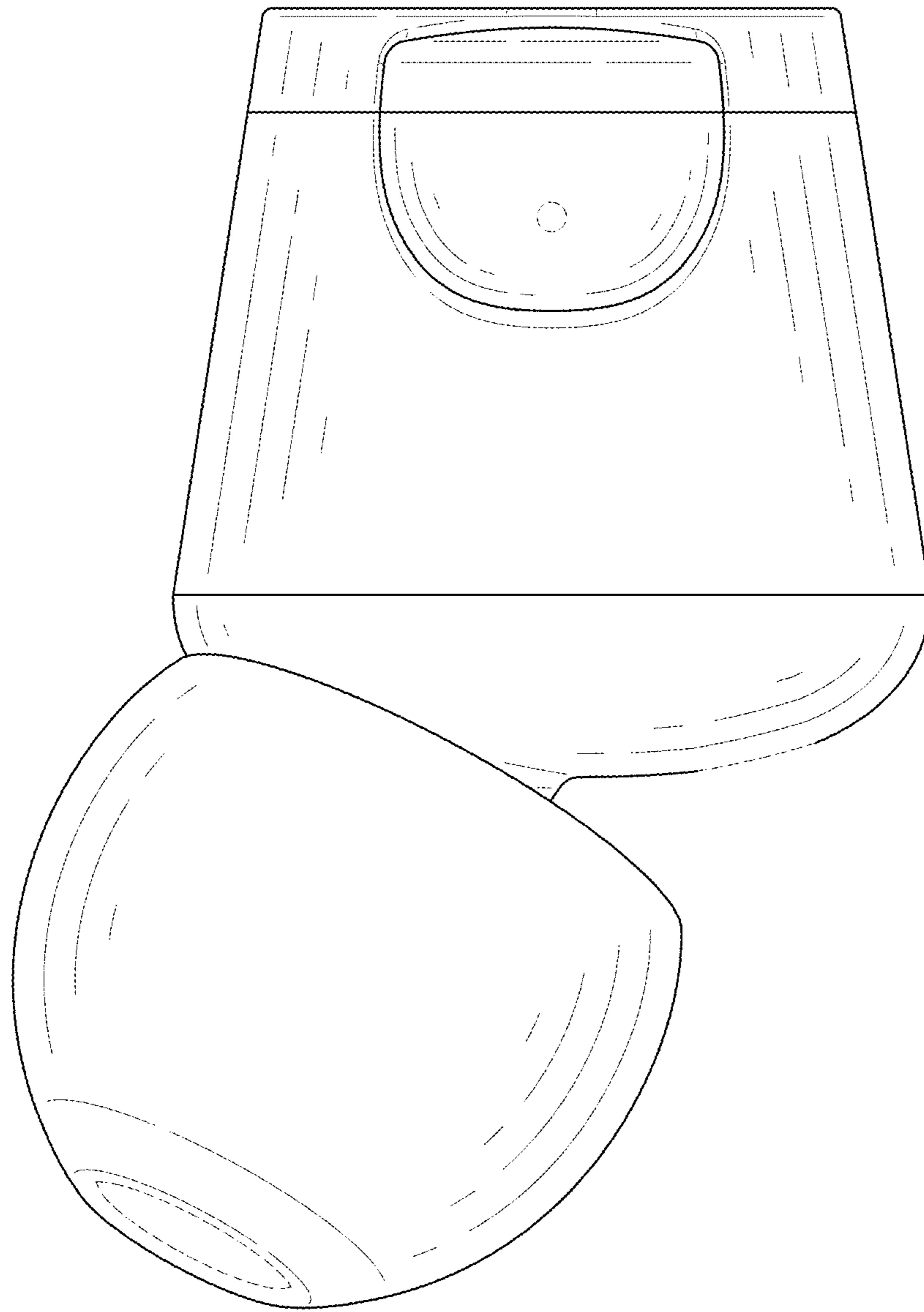


FIG. 8