



US00D914646S

(12) **United States Design Patent** (10) **Patent No.:** **US D914,646 S**  
**Yang** (45) **Date of Patent:** **\*\* Mar. 30, 2021**

(54) **EARPHONE**  
(71) Applicant: **Shenzhen Ginto E-Commerce Co., Limited**, Shenzhen (CN)  
(72) Inventor: **Yong Yang**, Shenzhen (CN)  
(73) Assignee: **SHENZHEN GINTO E-COMMERCE CO., LIMITED**, Shenzhen (CN)

D890,138 S \* 7/2020 Peng ..... D14/223  
D890,724 S \* 7/2020 Li ..... D14/223  
D893,462 S \* 8/2020 Liu ..... D14/223  
D895,579 S \* 9/2020 Yang ..... D14/223  
D895,582 S \* 9/2020 Wu ..... D14/223  
D896,206 S \* 9/2020 Xu ..... D14/223  
D896,207 S \* 9/2020 He ..... D14/223  
D903,639 S \* 12/2020 Yang ..... D14/223

(Continued)

(\*\*) Term: **15 Years**

(21) Appl. No.: **29/723,923**

(22) Filed: **Feb. 12, 2020**

(30) **Foreign Application Priority Data**

Jan. 21, 2020 (CN) ..... 202030042920.6

(51) **LOC (13) Cl.** ..... **14-01**

(52) **U.S. Cl.**  
USPC ..... **D14/223**

(58) **Field of Classification Search**  
USPC ... D14/205, 207, 217, 221, 223, 224, 224.1, D14/225; D24/173, 174  
CPC ..... H04R 1/10; H04R 1/1016; H04R 1/1066; H04R 1/105; H04R 1/1033; H04R 1/08; H04R 5/033; H04R 5/0335; H04R 25/00  
See application file for complete search history.

(56) **References Cited**

**U.S. PATENT DOCUMENTS**

D796,489 S \* 9/2017 Arimoto ..... D14/223  
D847,125 S \* 4/2019 Akana ..... D14/223  
D875,713 S \* 2/2020 Kim ..... D14/205  
D877,722 S \* 3/2020 Yang ..... D14/223  
D878,337 S \* 3/2020 Yang ..... D14/223  
D883,260 S \* 5/2020 Hu ..... D14/223  
D883,960 S \* 5/2020 Du ..... D14/223  
D887,396 S \* 6/2020 Wang ..... D14/223  
D888,690 S \* 6/2020 Yan ..... D14/223  
D889,437 S \* 7/2020 Ando ..... D14/223

**FOREIGN PATENT DOCUMENTS**

CN 202030042920.6 \* 1/2020

**OTHER PUBLICATIONS**

Dudios Shuttle True Wireless Earbuds, announced Oct. 11, 2019 [online], retrieved Jan. 27, 2021, retrieved from internet, <https://www.head-fi.org/showcase/dudios-shuttle-true-wireless-earbuds.23985/>.\*

(Continued)

*Primary Examiner* — Dana K Weiland  
*Assistant Examiner* — Messina L Smith

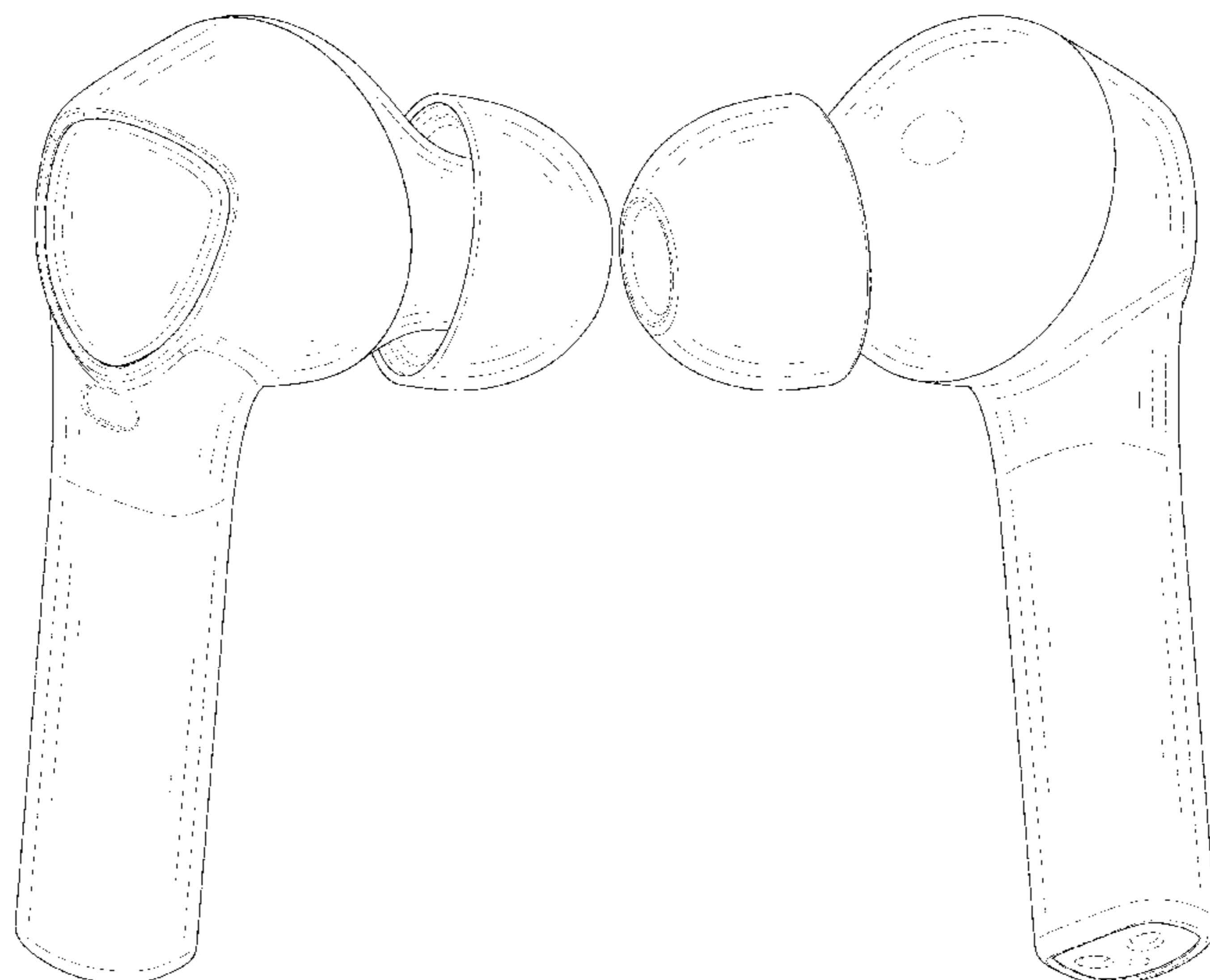
(57) **CLAIM**

The ornamental design for an earphone, as shown and described.

**DESCRIPTION**

FIG. 1 is a perspective view of an earphone showing my new design;  
FIG. 2 is another perspective view thereof;  
FIG. 3 is a front elevational view thereof;  
FIG. 4 is a rear elevational view thereof;  
FIG. 5 is a left side elevational view thereof;  
FIG. 6 is a right side elevational view thereof;  
FIG. 7 is a top plan view thereof; and,  
FIG. 8 is a bottom plan view thereof.  
The broken lines in the drawings depict portions of the earphone that form no part of the claimed design.

**1 Claim, 8 Drawing Sheets**



(56)

**References Cited**

U.S. PATENT DOCUMENTS

D904,347	S	*	12/2020	Yamamoto	.....	D14/223
D904,351	S	*	12/2020	Zhang	.....	D14/223
D905,018	S	*	12/2020	Zhu	.....	D14/223
D905,019	S	*	12/2020	Liu	.....	D14/223
D905,020	S	*	12/2020	Du	.....	D14/223
D906,297	S	*	12/2020	Akana	.....	D14/223
D907,008	S	*	1/2021	Yao	.....	D14/223
D907,010	S	*	1/2021	Akana	.....	D14/223
D907,606	S	*	1/2021	Lin	.....	D14/223
D908,114	S	*	1/2021	Jung	.....	D14/223
2021/0013917	A1	*	1/2021	McCaughey	.....	H04B 5/0006

OTHER PUBLICATIONS

Earpods With 3.5 MM Headphone Plug, announced © 2015-2020 [online], retrieved Jan. 27, 2021, retrieved from internet, <https://wandkey.com/product/earpods-with-3-5-mm-headphone-plug/>.\*

Sport Magnetic Wireless Bluetooth Earphones, announced © 2015-2018 [online], retrieved Jan. 27, 2021, retrieved from internet, [http://www.damostar.com/goods/7876712/Sport\\_Magnetic\\_Wireless\\_Bluetooth\\_Earphones\\_Headband\\_Receiver\\_Headsets\\_HD\\_Stereo\\_Sweatproof\\_Earbuds\\_for\\_Sports\\_and\\_Trav.html](http://www.damostar.com/goods/7876712/Sport_Magnetic_Wireless_Bluetooth_Earphones_Headband_Receiver_Headsets_HD_Stereo_Sweatproof_Earbuds_for_Sports_and_Trav.html).\*

Shenzhen Customization Brand V5.0 Bluetooth In-ear Headphone Wireless Earphone Earbuds, announced © 2021 [online], retrieved Jan. 27, 2021, retrieved from internet, <https://www.globalsources.com/Bluetooth-headphone/wireless-earphone-1177079415p.htm#1177079415>.\*

Hopestar-S17, announced © 2013 [online], retrieved Jan. 27, 2021, retrieved from internet, <http://www.hopestar.hk/hd1/show/137.html>.\*

CN version Xiaomi Mi Airdots Pro Binaural TWS BT Earphones Wireless Earbuds, announced © 1999-2021 [online], retrieved Jan. 27, 2021, retrieved from internet, [https://diglex.en.alibaba.com/product/62022283302-815208764/CN\\_version\\_Xiaomi\\_Mi\\_Airdots\\_Pro\\_Binaural\\_TWS\\_BT\\_Earphones\\_Wireless\\_Earbuds.html](https://diglex.en.alibaba.com/product/62022283302-815208764/CN_version_Xiaomi_Mi_Airdots_Pro_Binaural_TWS_BT_Earphones_Wireless_Earbuds.html).\*

\* cited by examiner

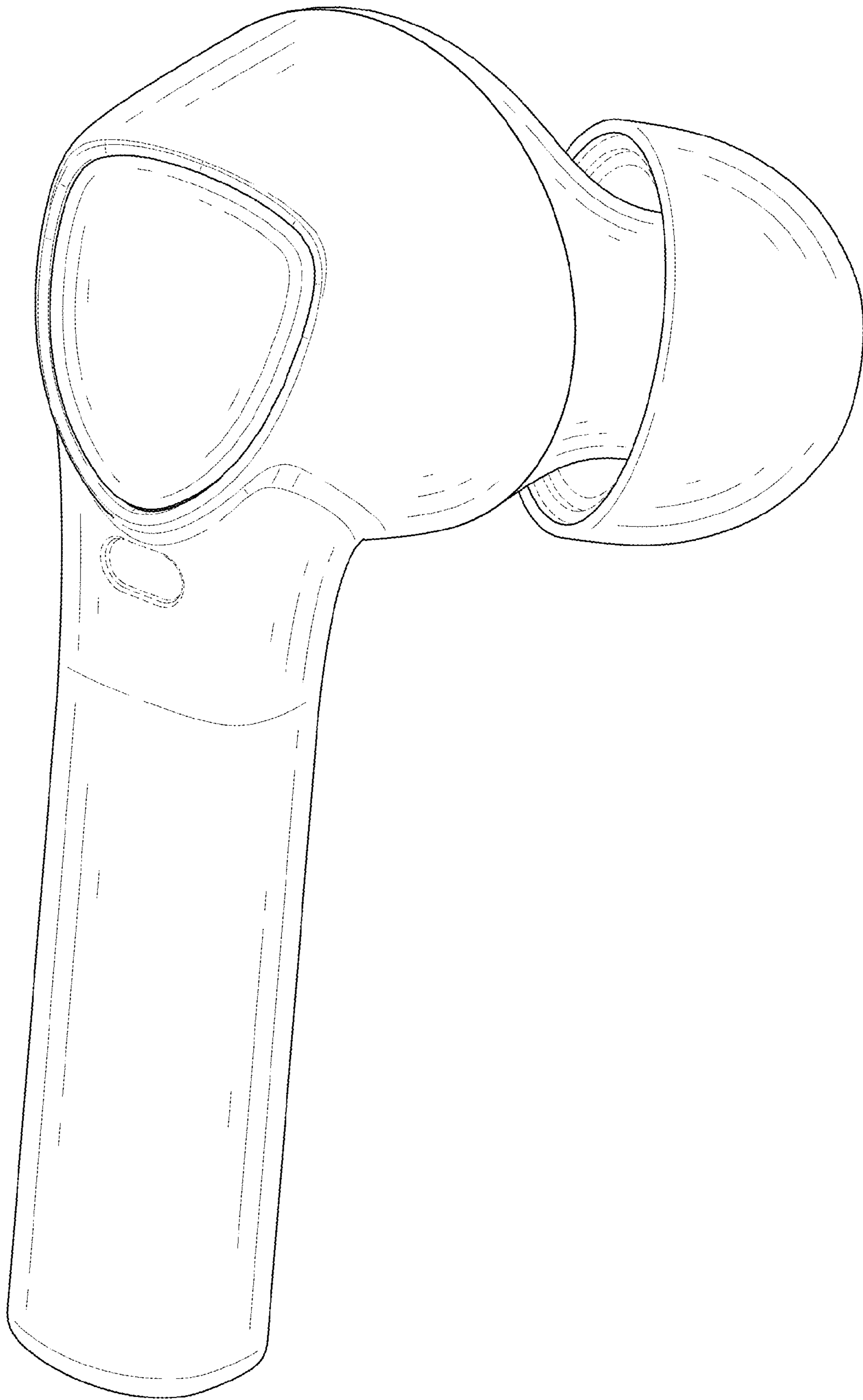


FIG. 1

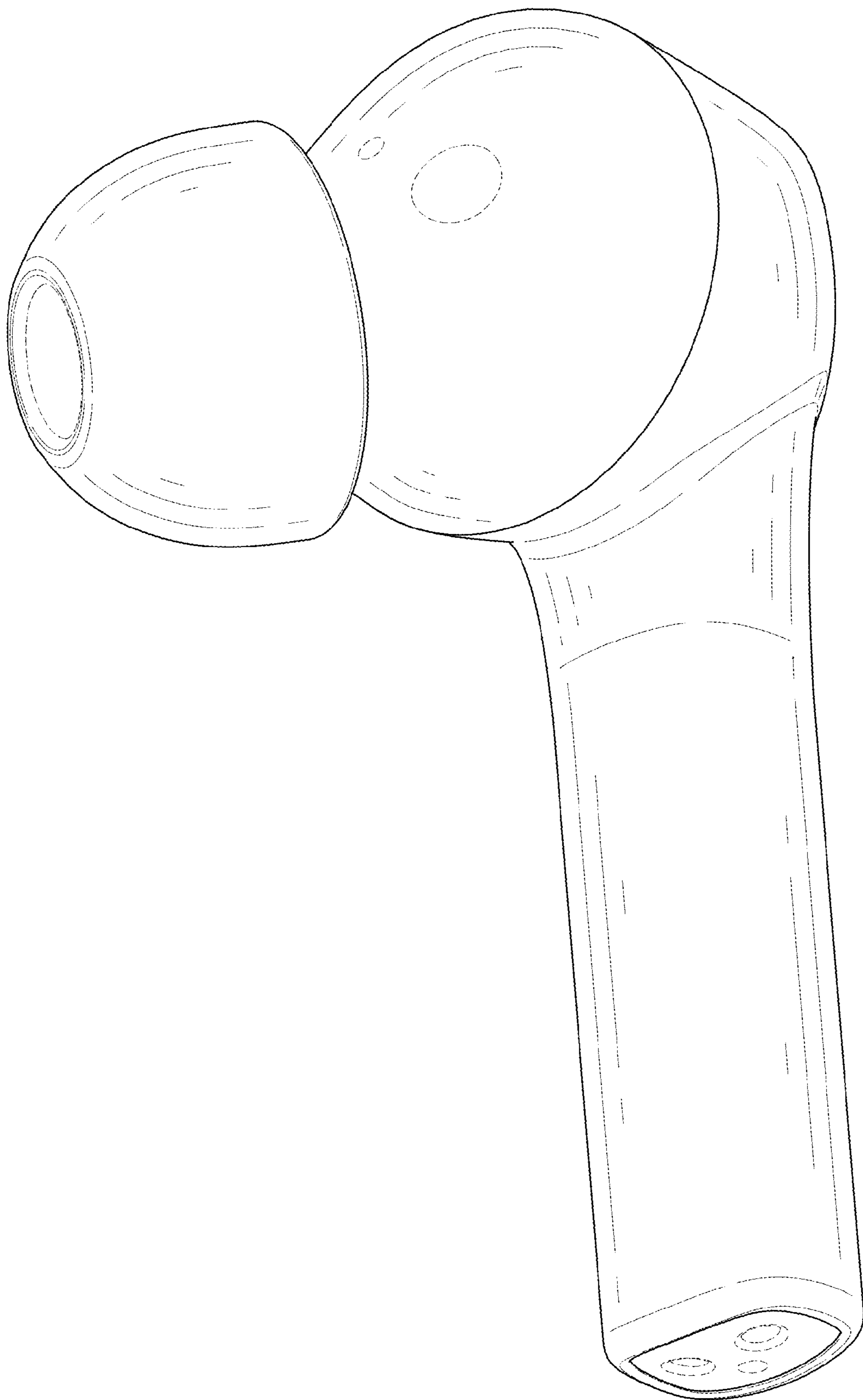


FIG. 2

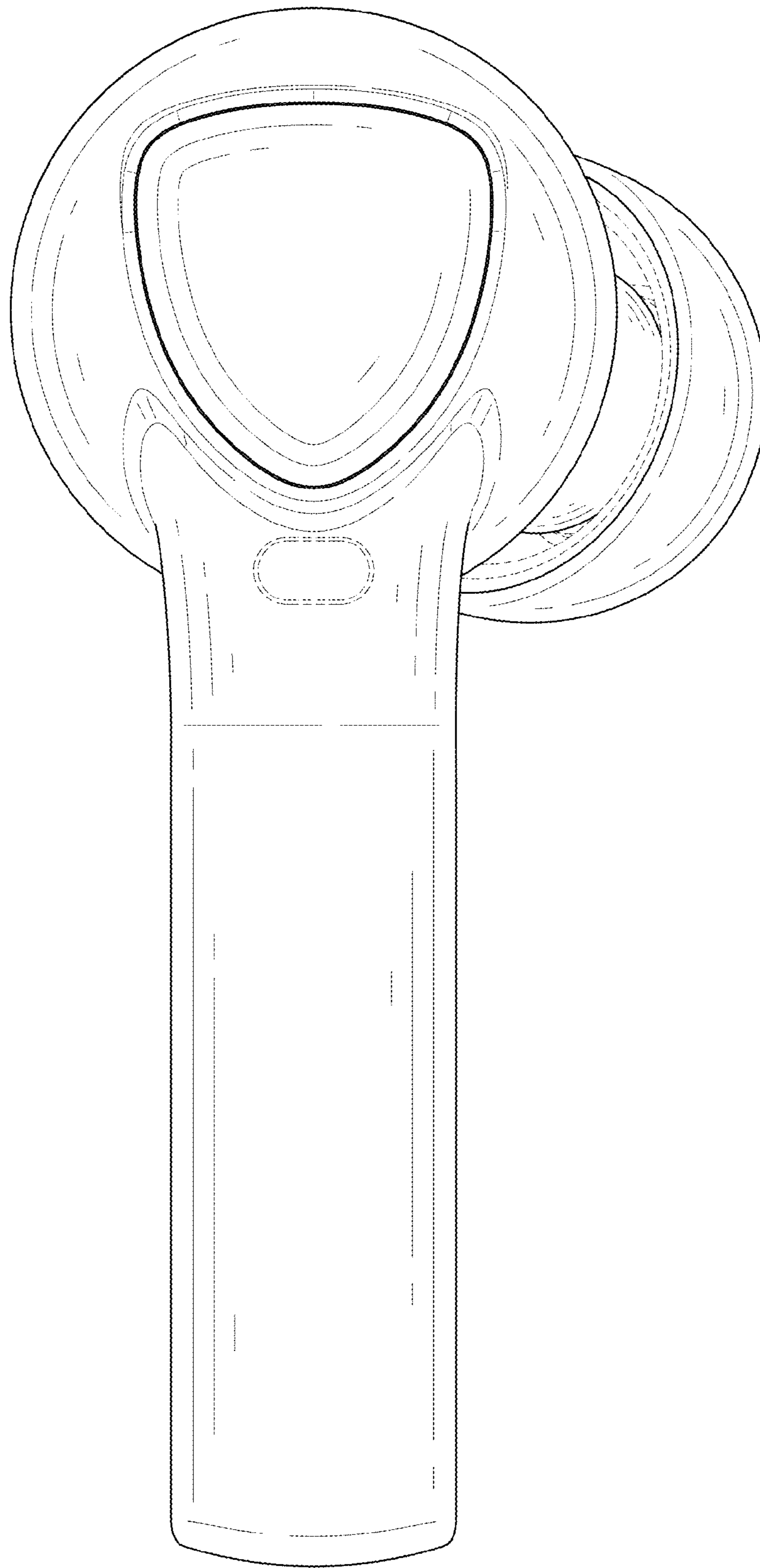


FIG. 3

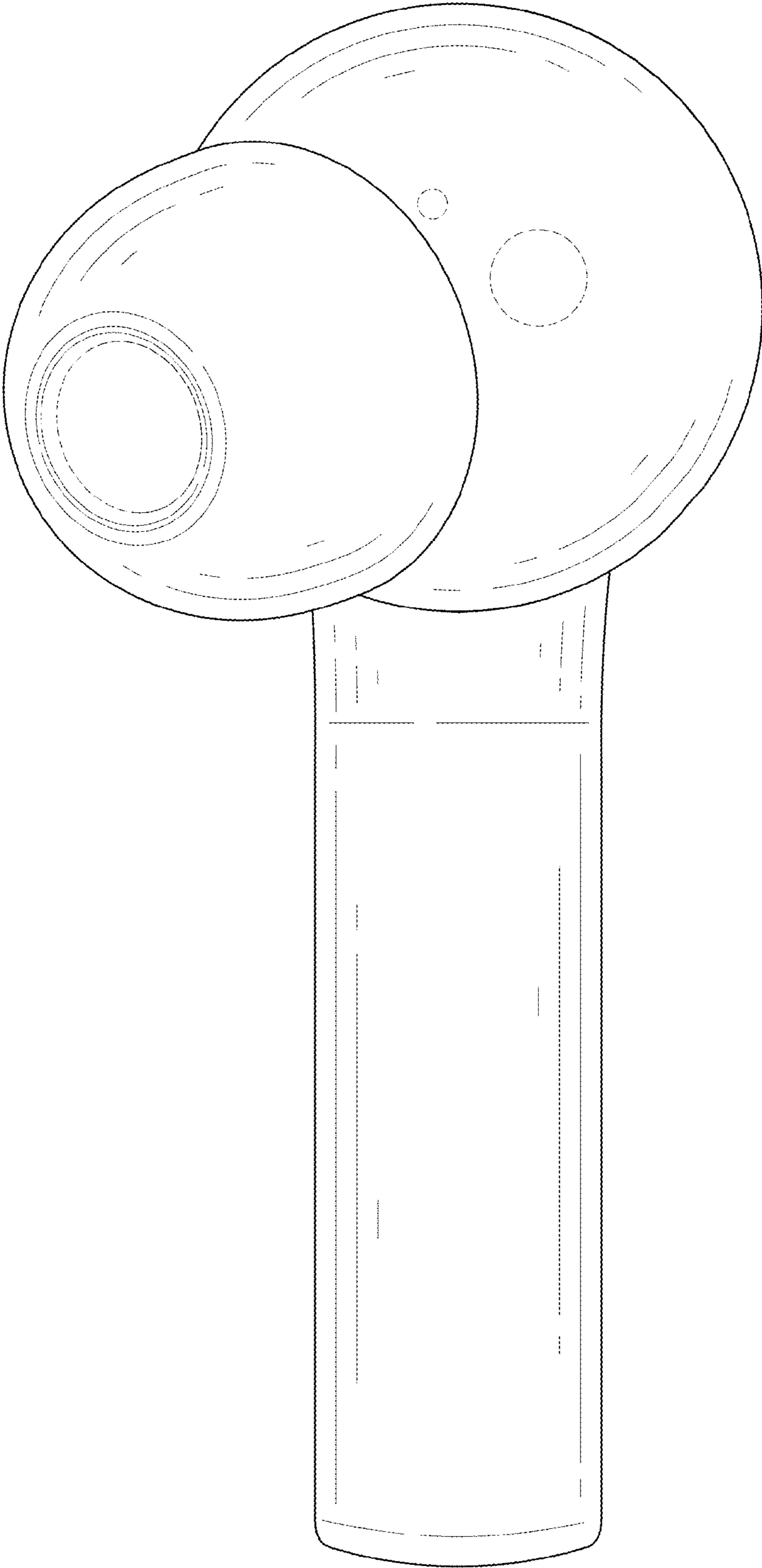


FIG. 4

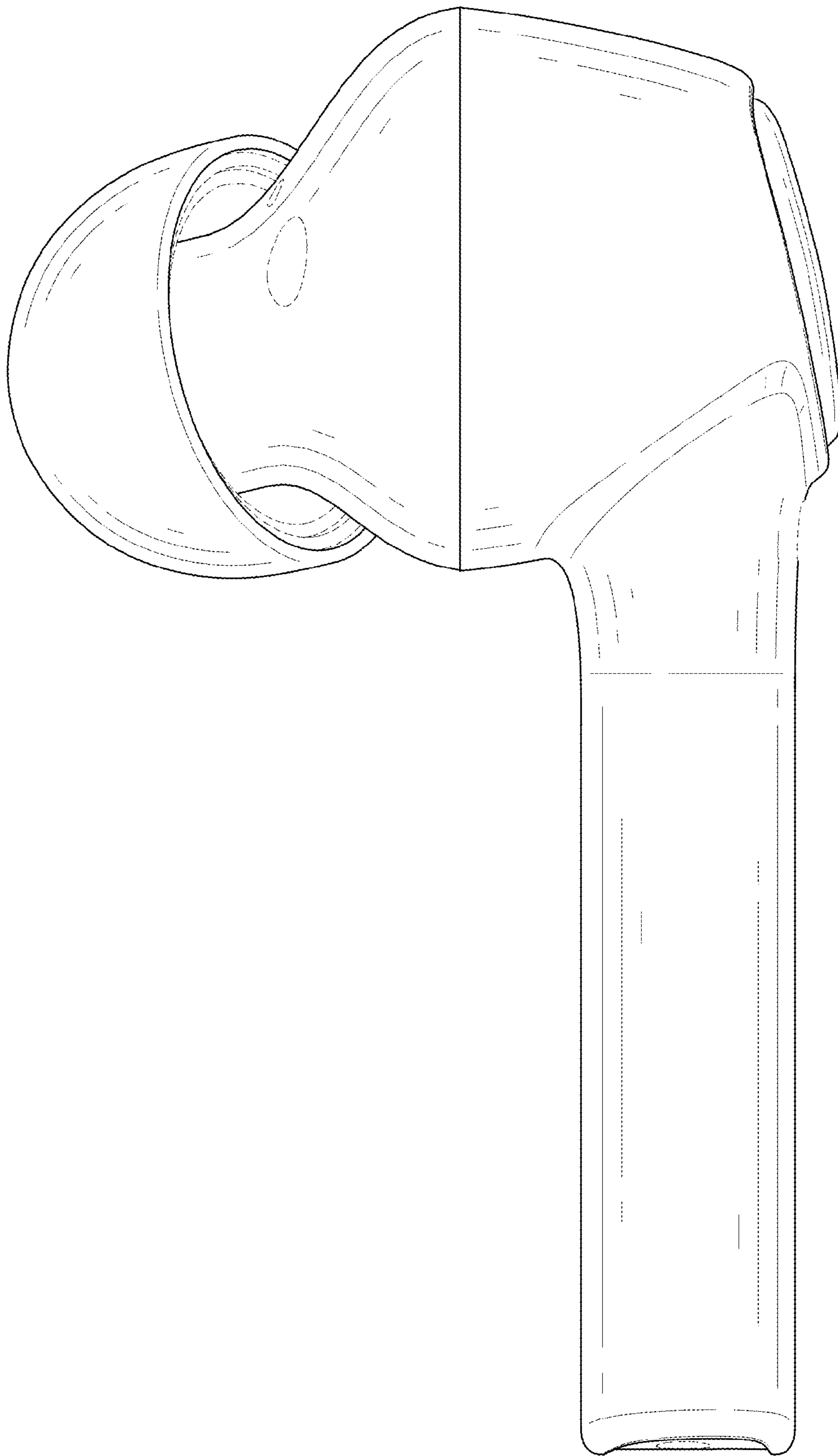


FIG. 5

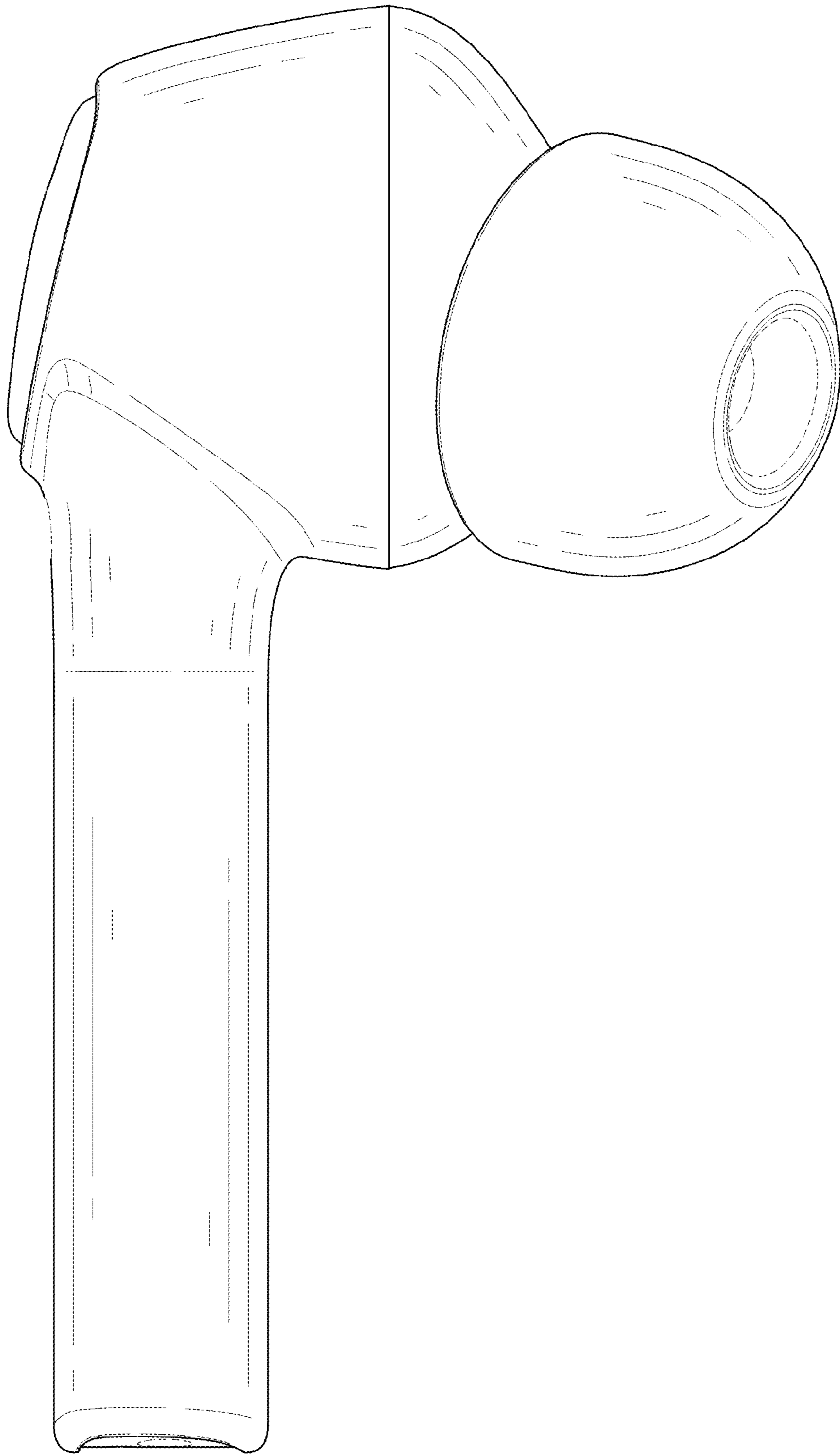


FIG. 6



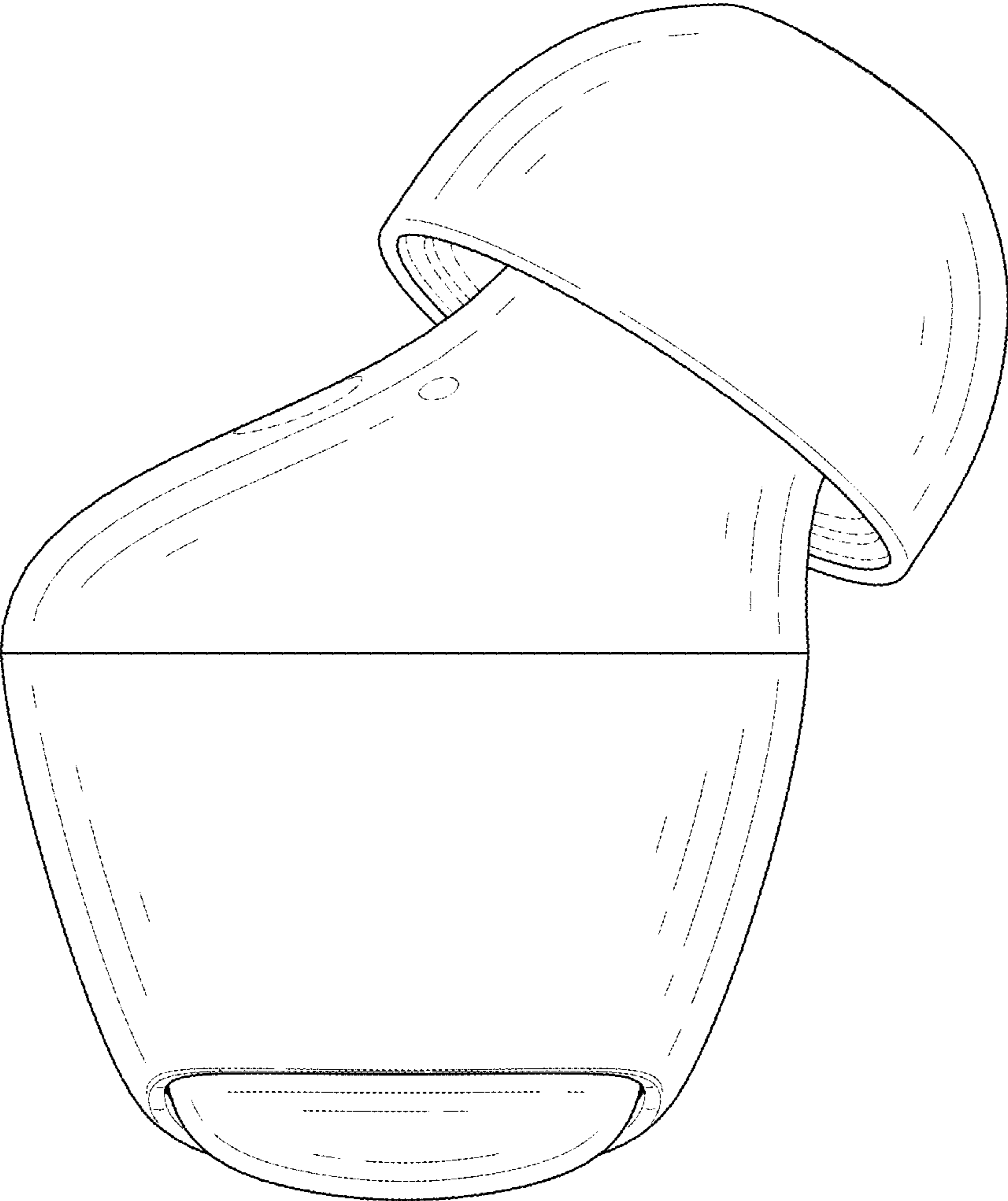


FIG. 7

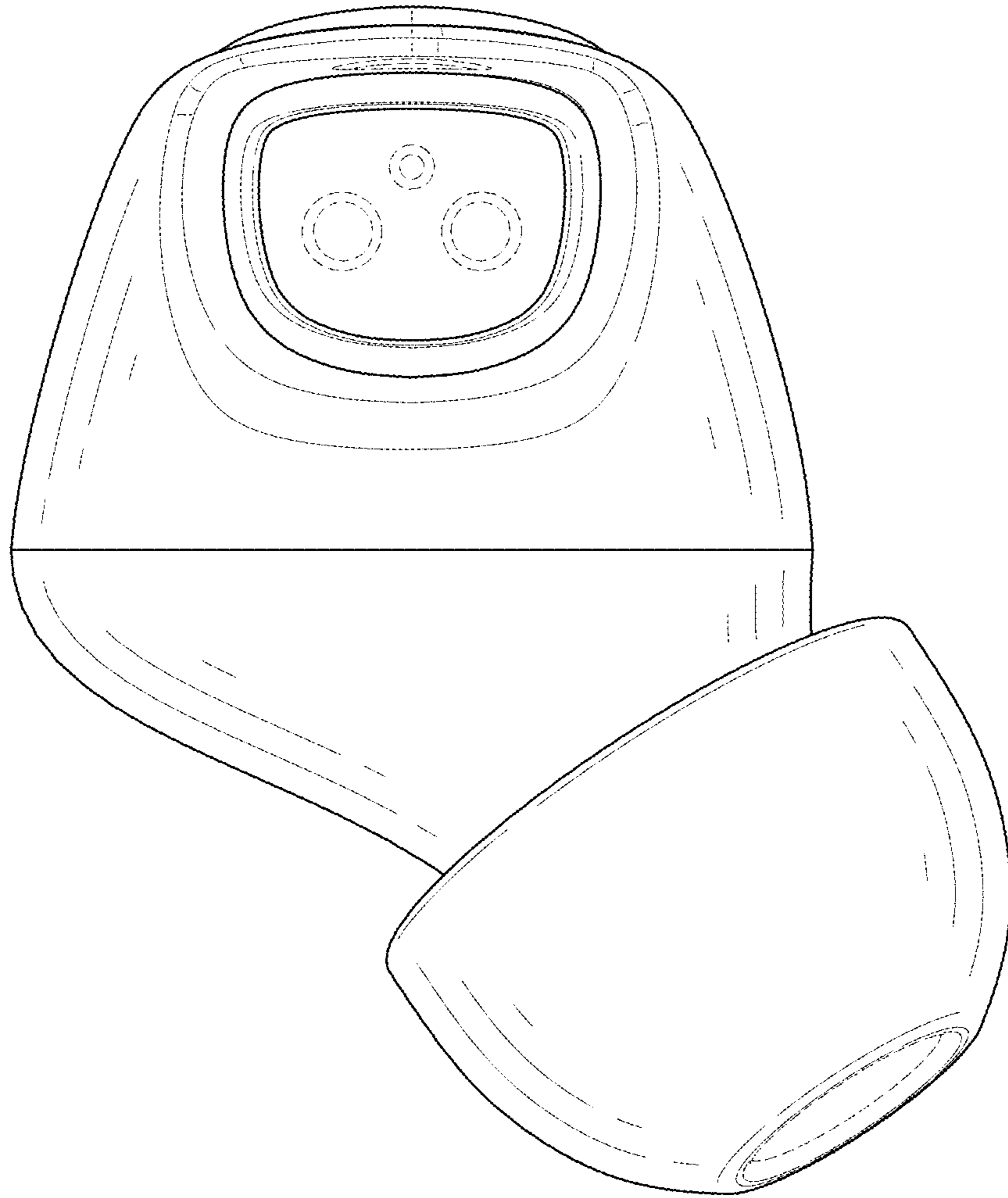


FIG. 8