



US00D914644S

(12) **United States Design Patent** (10) **Patent No.:** **US D914,644 S**
Zhu (45) **Date of Patent:** **** Mar. 30, 2021**

(54) **PAIR OF WIRELESS EARPHONES**
(71) Applicant: **SHENZHEN CANNICE TECHNOLOGY CO., LTD.,**
Guangdong (CN)
(72) Inventor: **Qilong Zhu, Guangdong (CN)**
(73) Assignee: **SHENZHEN CANNICE TECHNOLOGY CO., LTD.,**
Guangdong (CN)

(**) Term: **15 Years**

(21) Appl. No.: **29/687,285**
(22) Filed: **Apr. 11, 2019**
(51) **LOC (13) Cl.** **14-01**
(52) **U.S. Cl.**
USPC **D14/223**
(58) **Field of Classification Search**
USPC D14/223, 205; 381/380, 381, 322, 328,
381/330, 324, 323; 455/90.3, 575.1,
455/569.1
CPC H04R 1/10; H04R 25/00; H04R 1/1016;
H04R 1/1066; H04R 5/033; H04R
5/0335; H04R 1/1091; H04R 1/1083
See application file for complete search history.

(56) **References Cited**

U.S. PATENT DOCUMENTS

5,410,608 A * 4/1995 Lucey H04R 1/083
381/360
D431,553 S * 10/2000 Suzuki D14/223
D487,077 S * 2/2004 Obata D14/223
D531,169 S * 10/2006 Tokioka D14/223
D554,109 S * 10/2007 Ledbetter D14/223
D554,627 S * 11/2007 Gondo D14/223
D555,152 S * 11/2007 Wang D14/223
D572,703 S * 7/2008 Ledbetter D14/205
D573,977 S * 7/2008 Ledbetter D14/205
D573,978 S * 7/2008 Ledbetter D14/205

D576,154 S * 9/2008 Ledbetter D14/223
D587,685 S * 3/2009 Densho D14/206
D589,493 S * 3/2009 Densho D14/206
D598,894 S * 8/2009 Masuda D14/205
D605,182 S * 12/2009 Fagnot D14/223
D618,211 S * 6/2010 Oguro D14/205
D623,630 S * 9/2010 Otori D14/223
D626,117 S * 10/2010 Lowry D14/223

(Continued)

FOREIGN PATENT DOCUMENTS

CN 305790743 * 5/2020
EM 007723721-0005 * 2/2020
EM 007884176-0001 * 5/2020

Primary Examiner — Paula Allen Greene

(74) *Attorney, Agent, or Firm* — Yue (Robert) Xu; Apex Attorneys at Law, LLP

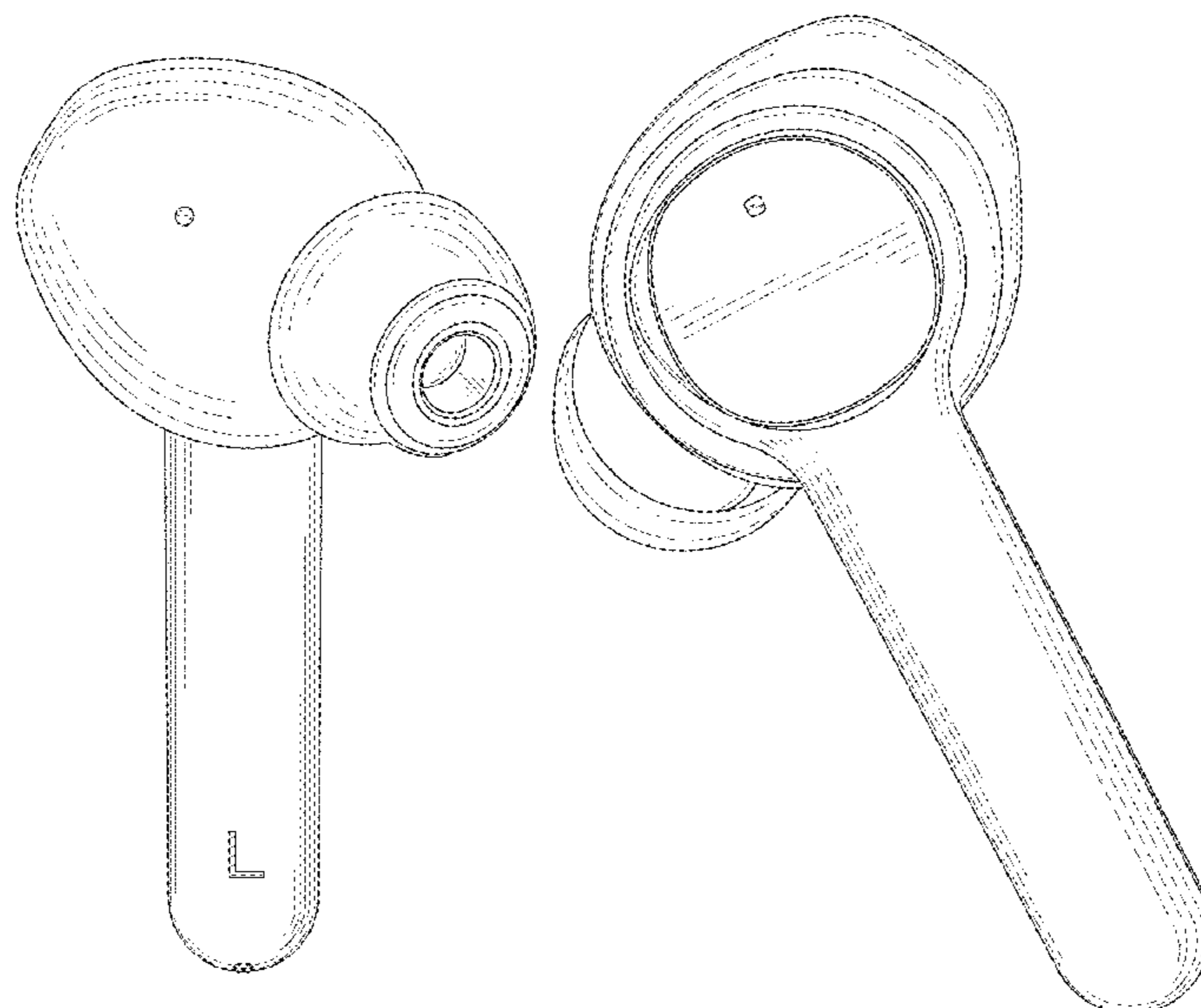
(57) **CLAIM**

The ornamental design for a pair of wireless earphones, as shown and described.

DESCRIPTION

FIG. 1 is a front view of a left earphone of a pair of wireless earphones showing my new design;
FIG. 2 is a rear view thereof;
FIG. 3 is a left view thereof;
FIG. 4 is a right view thereof;
FIG. 5 is a top view thereof;
FIG. 6 is a bottom view thereof;
FIG. 7 is a perspective view thereof;
FIG. 8 is a front view of a right earphone of a pair of wireless earphones showing my new design;
FIG. 9 is a rear view thereof;
FIG. 10 is a left view thereof;
FIG. 11 is a right view thereof;
FIG. 12 is a top view thereof;
FIG. 13 is a bottom view thereof; and,
FIG. 14 is a perspective view thereof.

1 Claim, 14 Drawing Sheets



(56)

References Cited

U.S. PATENT DOCUMENTS

D627,764 S * 11/2010 Tsai D14/223
 D628,193 S * 11/2010 Zheng D14/223
 D642,163 S * 7/2011 Lee D14/223
 D643,833 S * 8/2011 Lee D14/223
 D683,332 S * 5/2013 Lee D14/223
 D686,597 S * 7/2013 Lee D14/223
 D701,195 S * 3/2014 Katsumata D14/223
 8,712,087 B2 * 4/2014 Ozawa H04R 1/345
 181/130
 D707,652 S * 6/2014 Brunner H04R 1/1016
 D14/205
 8,831,266 B1 * 9/2014 Huang H04R 1/1091
 381/380
 D733,101 S * 6/2015 Pi D14/223
 D746,792 S * 1/2016 Kim D14/205
 D762,616 S * 8/2016 Hsieh D14/205
 D775,108 S * 12/2016 Hsieh D14/223
 D780,155 S * 2/2017 Levine D14/205

D813,196 S * 3/2018 Yang D14/205
 D817,933 S * 5/2018 Liu D14/223
 D841,627 S * 2/2019 Wen D14/223
 D847,125 S * 4/2019 Akana D14/223
 D847,794 S * 5/2019 Guo D14/223
 D848,983 S * 5/2019 Kim D14/223
 D853,995 S * 7/2019 Cai D14/223
 D861,647 S * 10/2019 Chen D14/223
 D869,445 S * 12/2019 Hu D14/223
 D873,238 S * 1/2020 Wen D14/205
 D875,713 S * 2/2020 Kim D14/205
 D877,722 S * 3/2020 Yang D14/223
 D878,337 S * 3/2020 Yang D14/223
 D882,553 S * 4/2020 Wu D14/223
 D883,260 S * 5/2020 Hu D14/223
 D884,682 S * 5/2020 Du D14/223
 D887,396 S * 6/2020 Wang D14/223
 D888,691 S * 6/2020 Liu D14/223
 10,692,482 B2 * 6/2020 Zhu H04R 1/1016
 2007/0189570 A1 * 8/2007 Matsuo H04R 1/02
 381/382

* cited by examiner

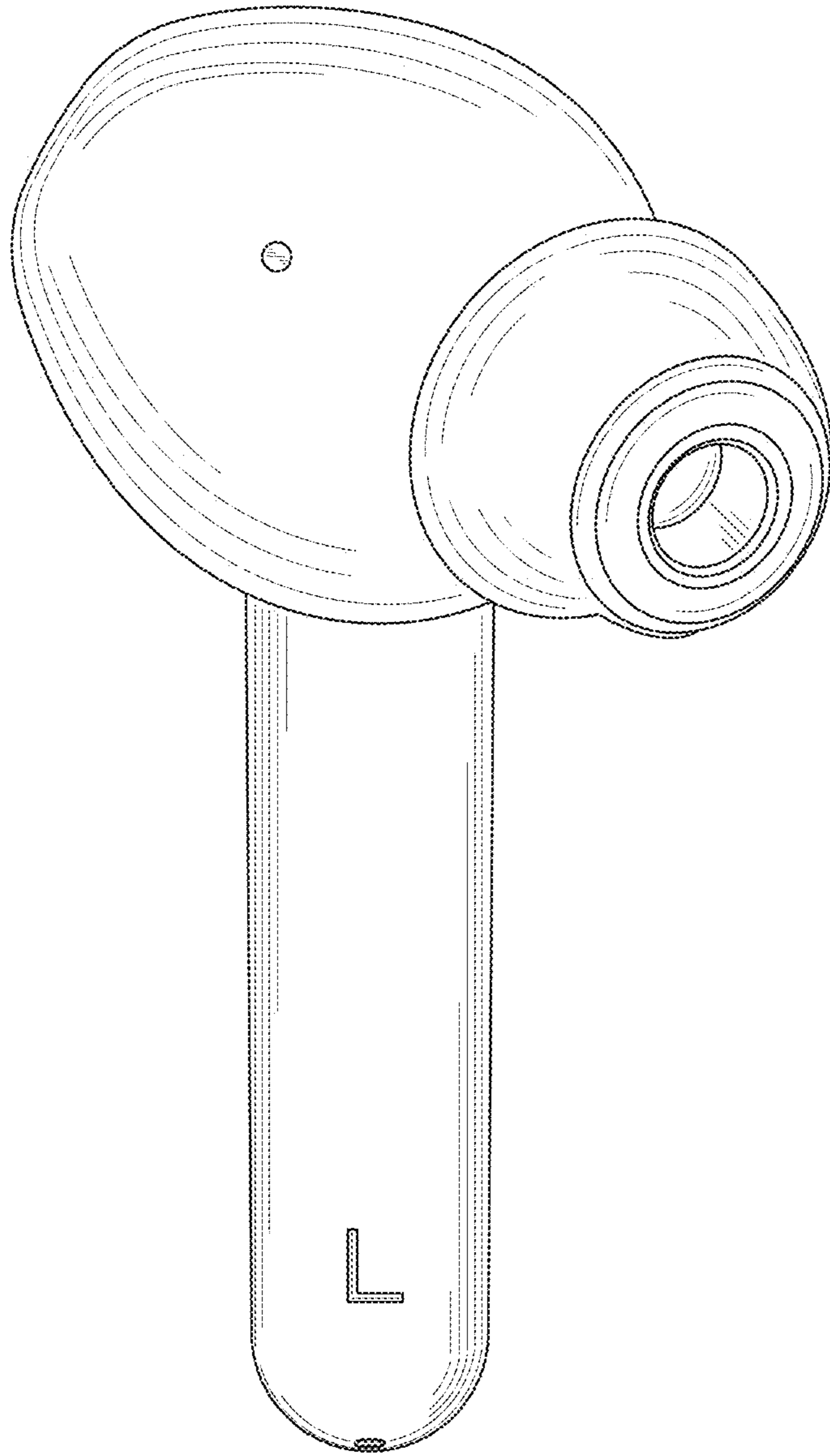


FIG. 1

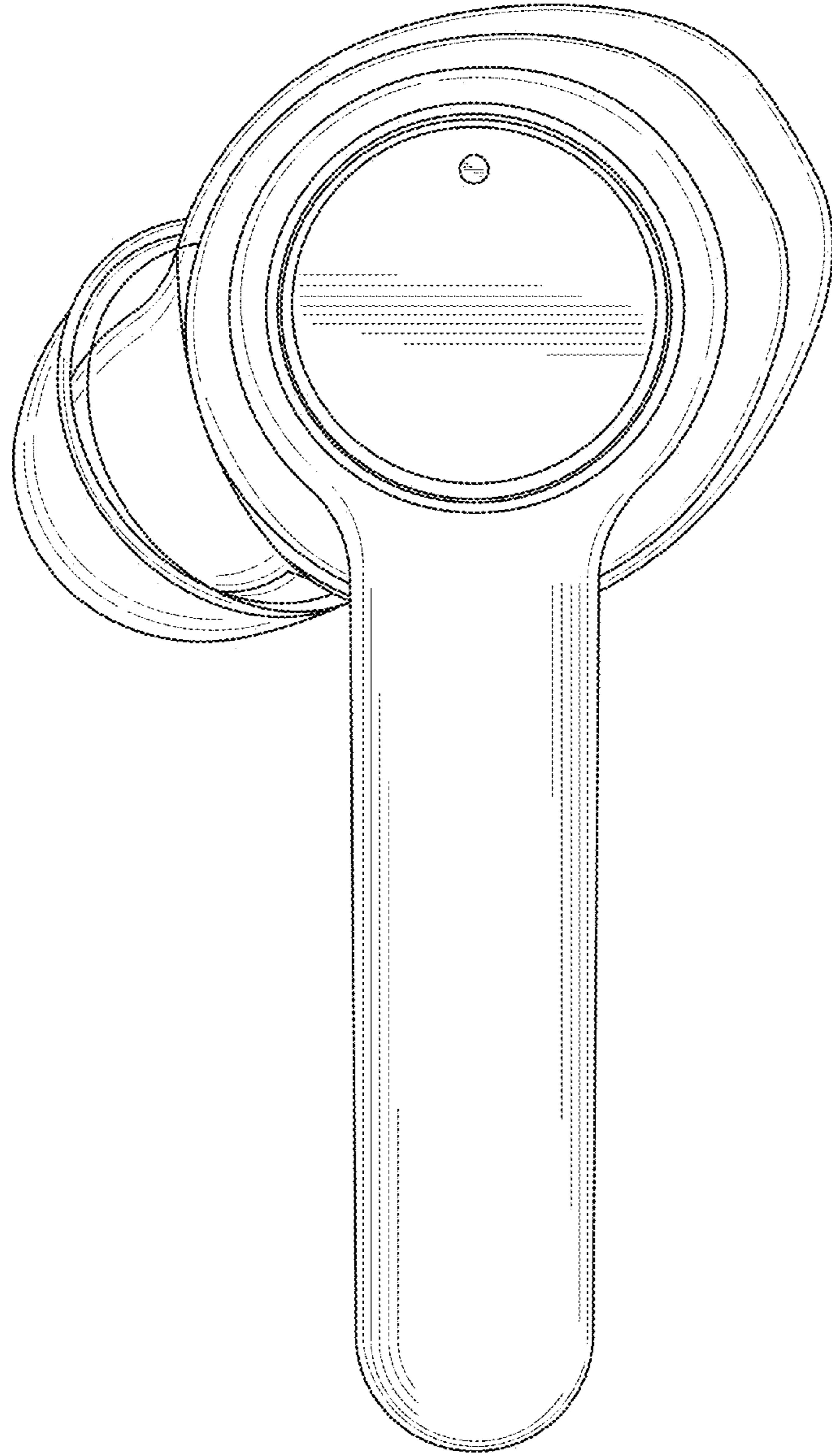


FIG. 2

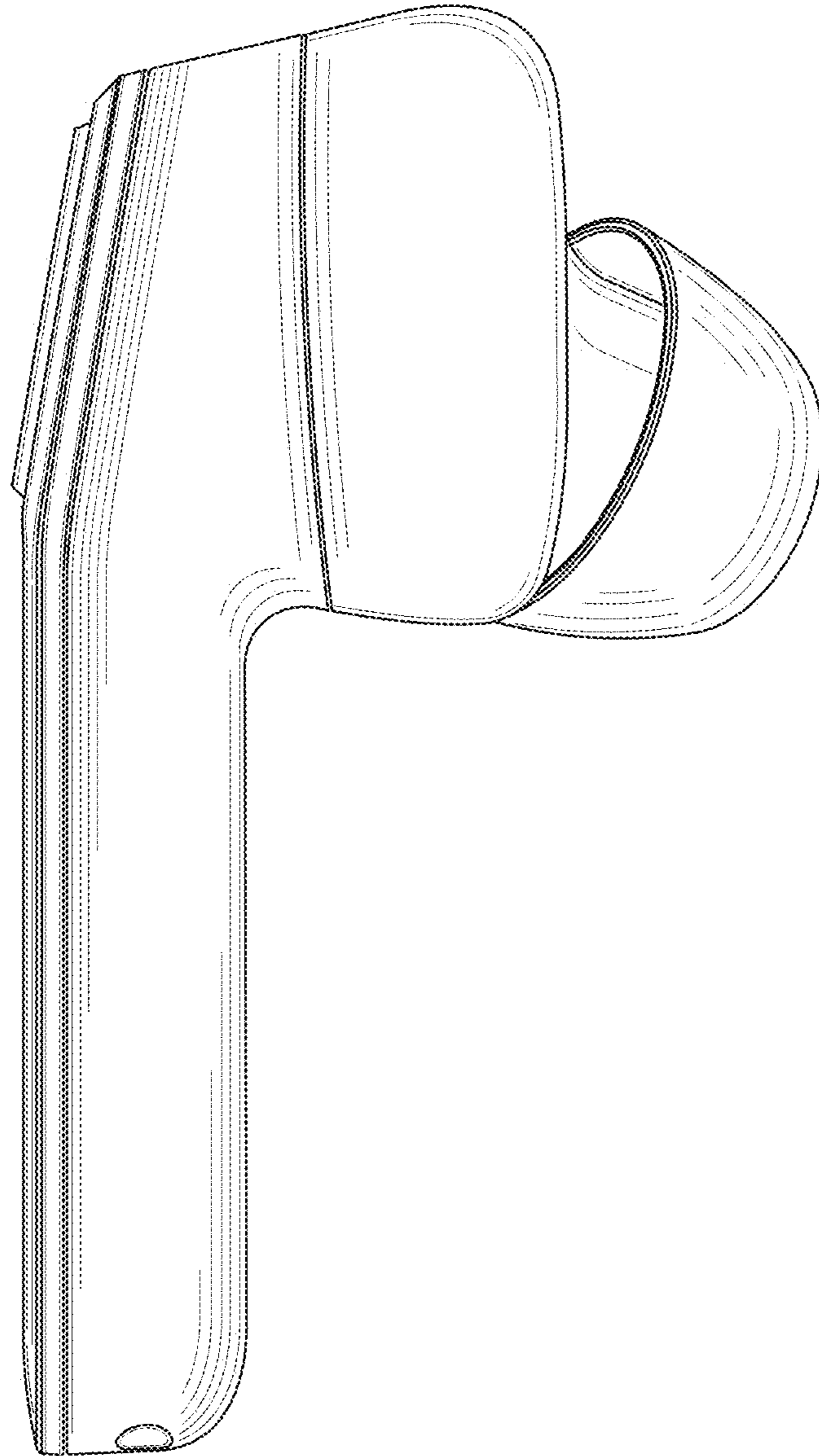


FIG. 3

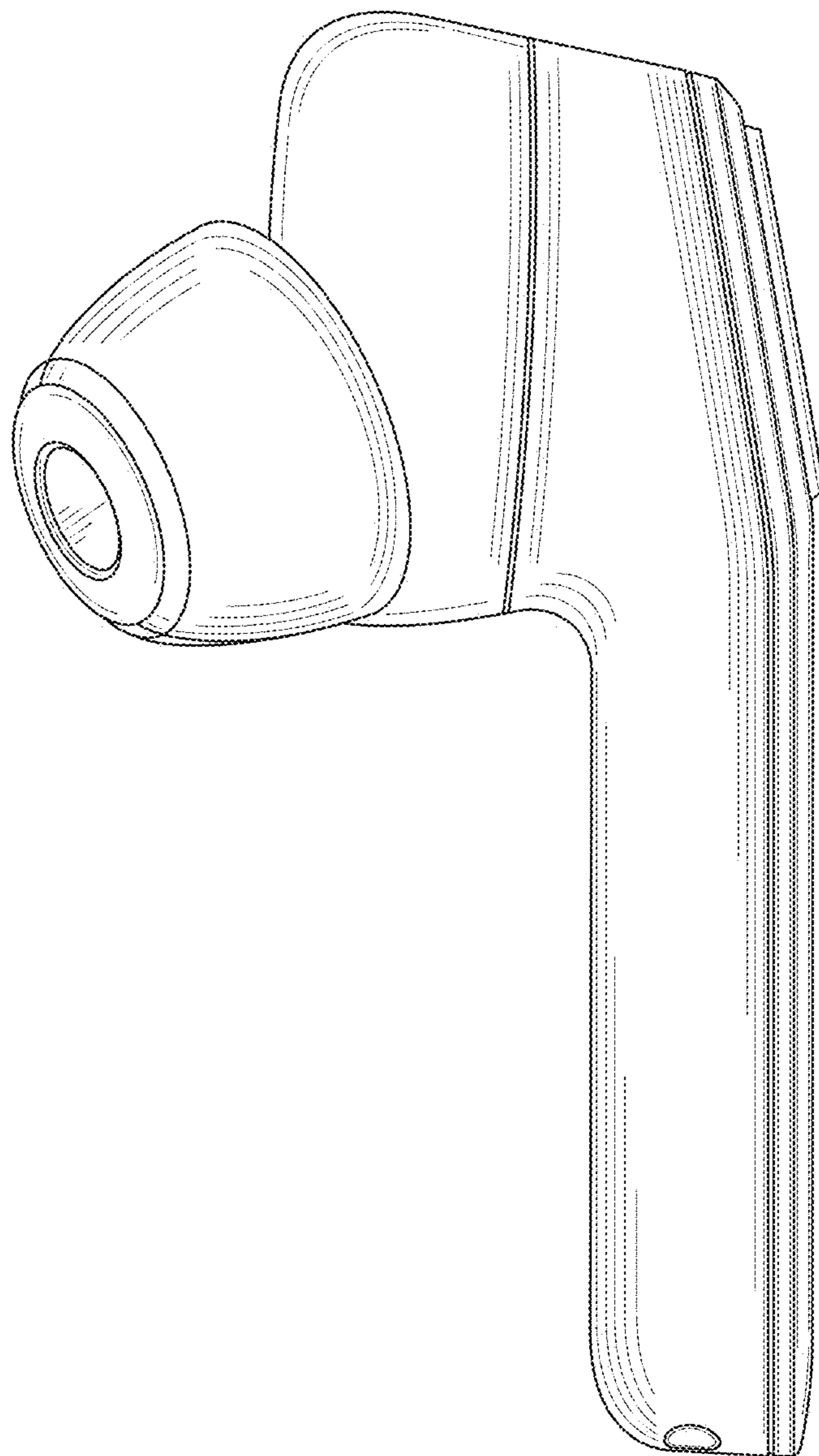


FIG. 4

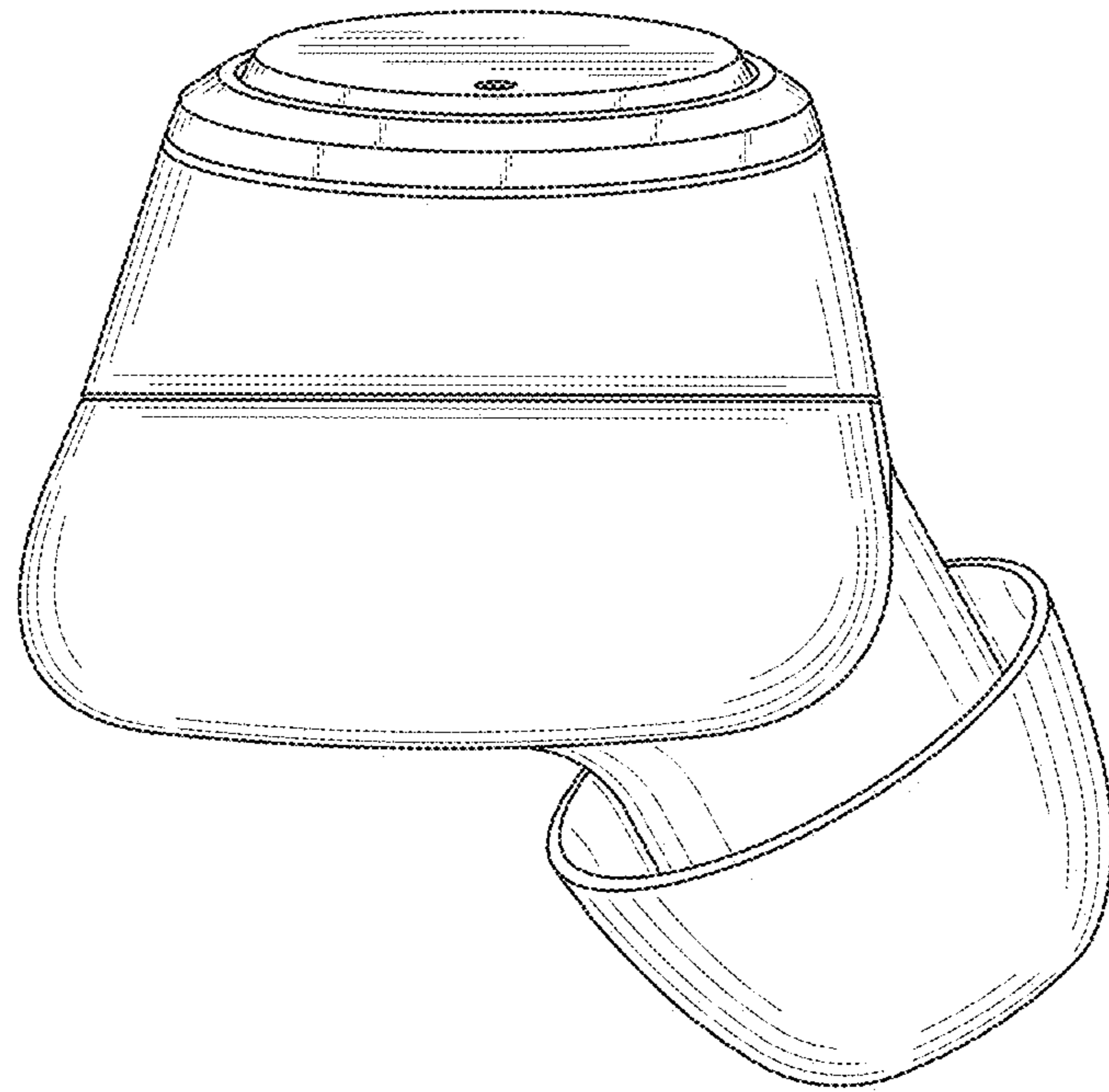


FIG. 5

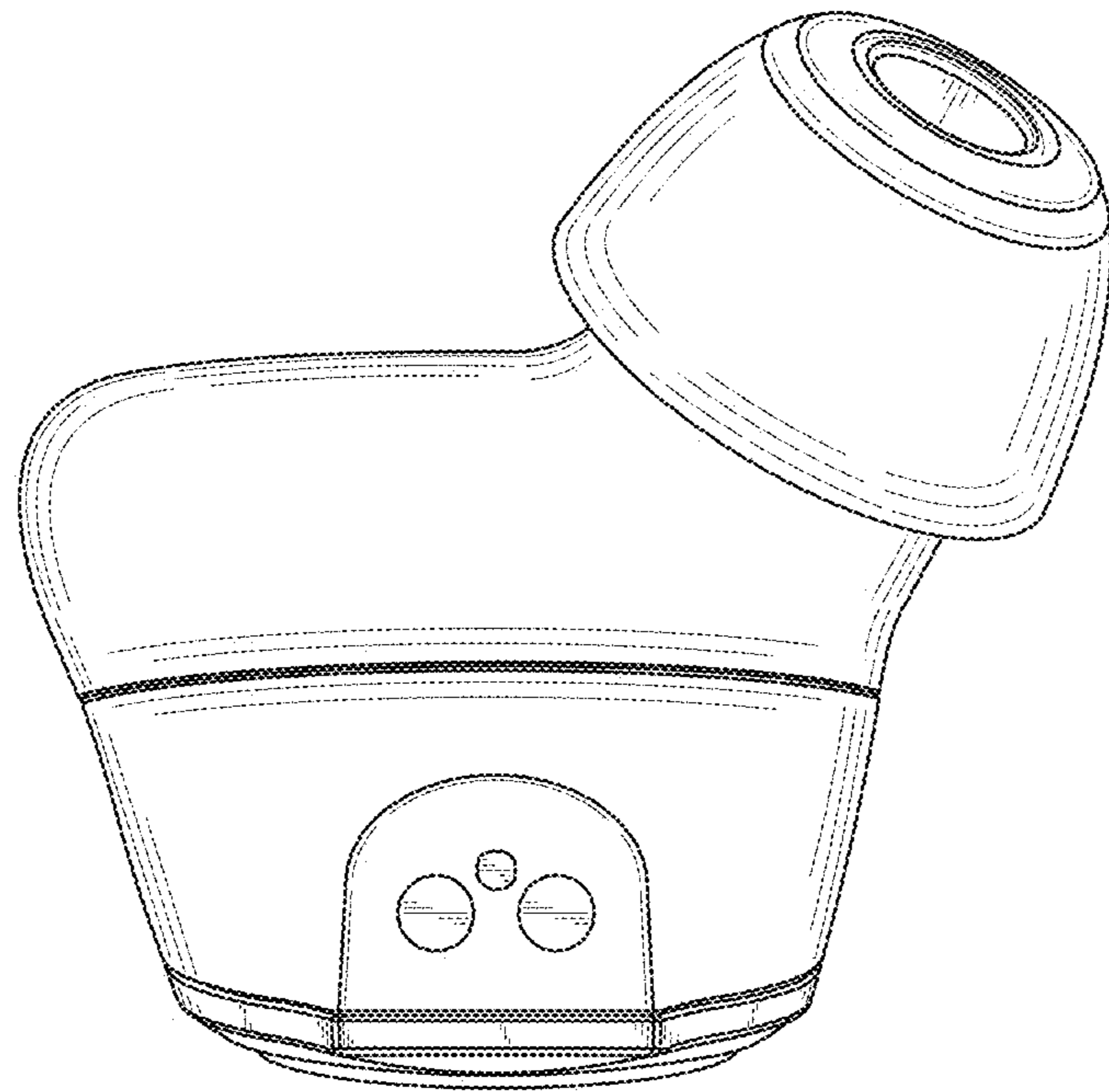


FIG. 6

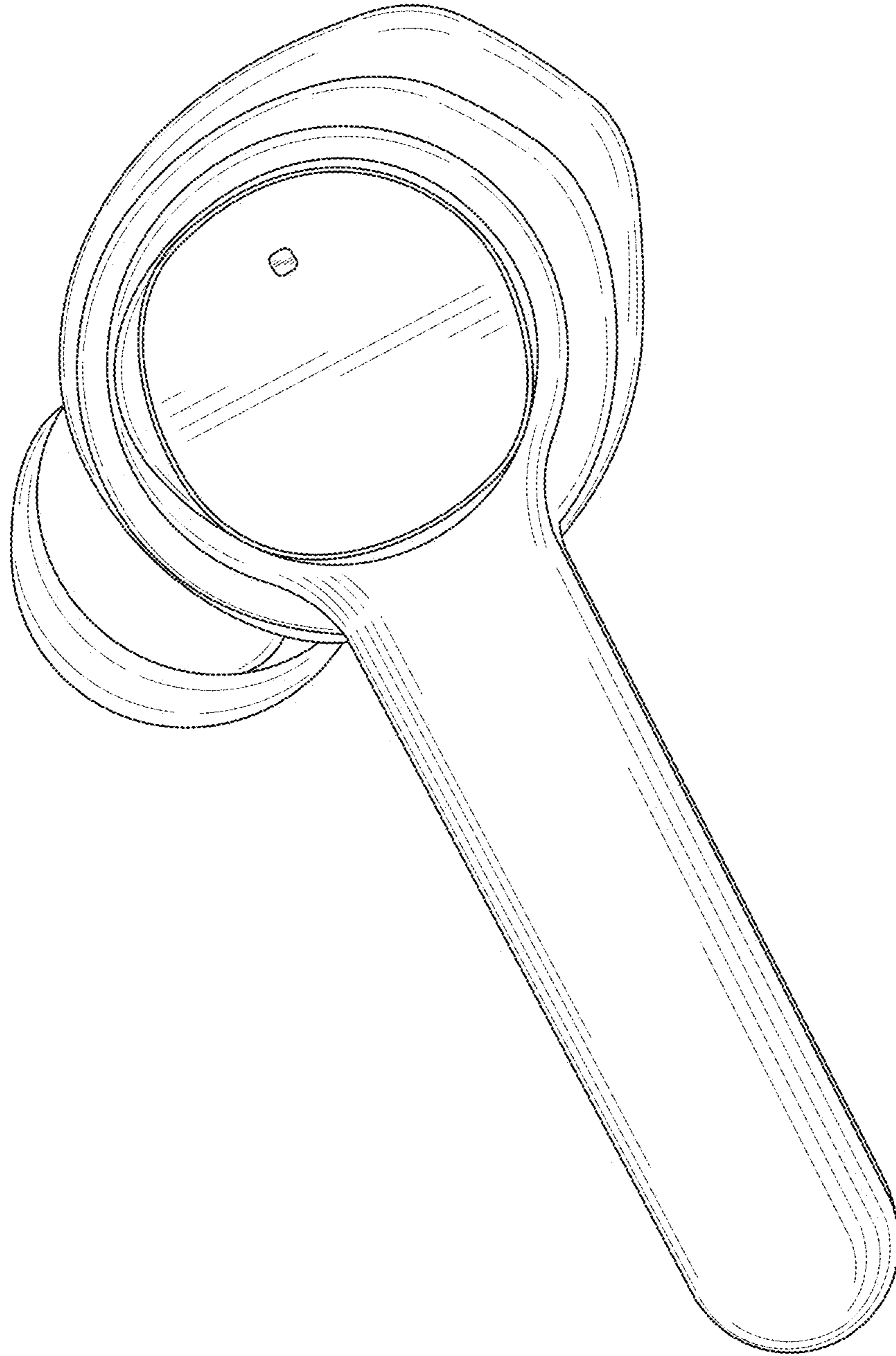


FIG. 7

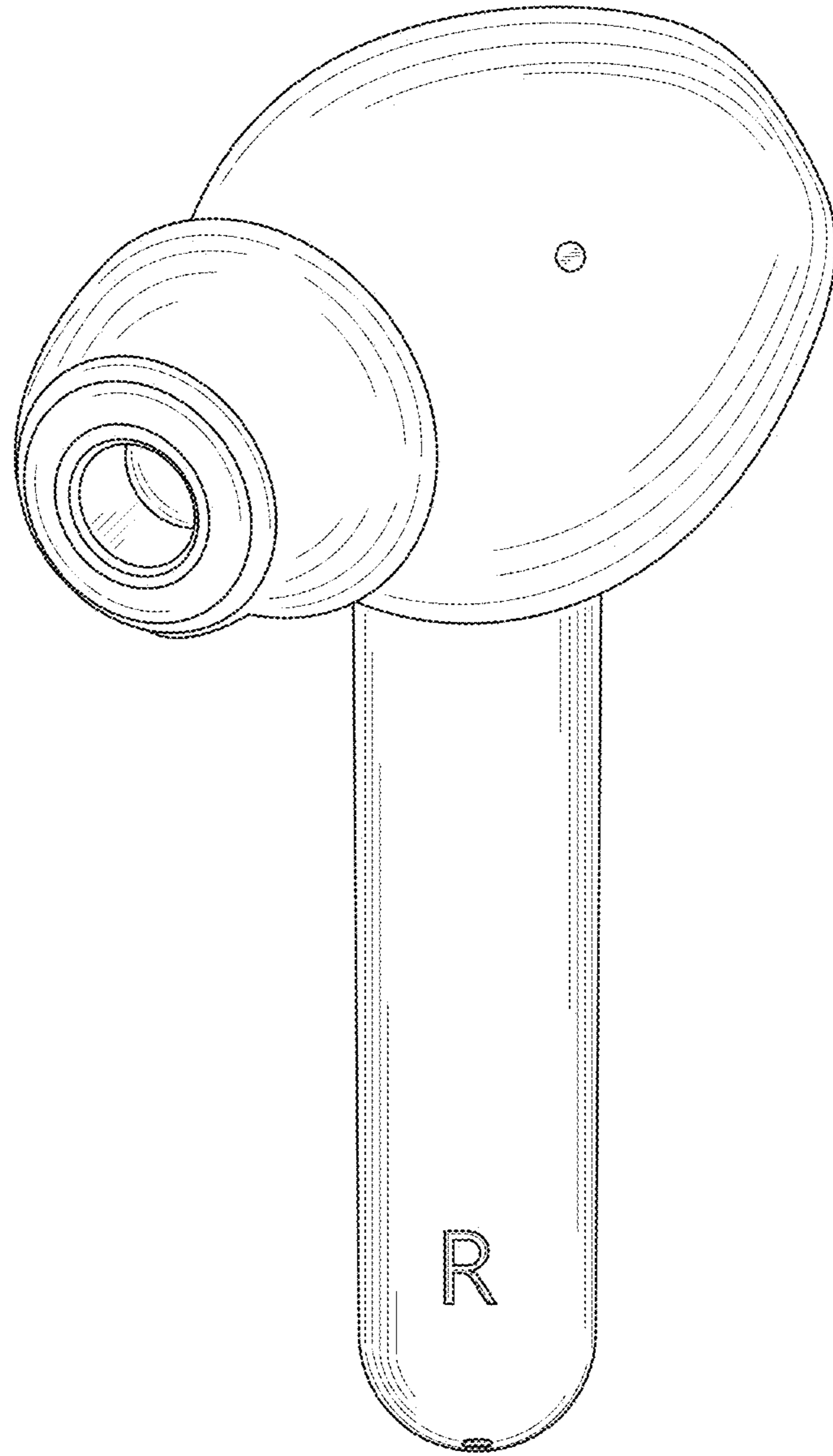


FIG. 8

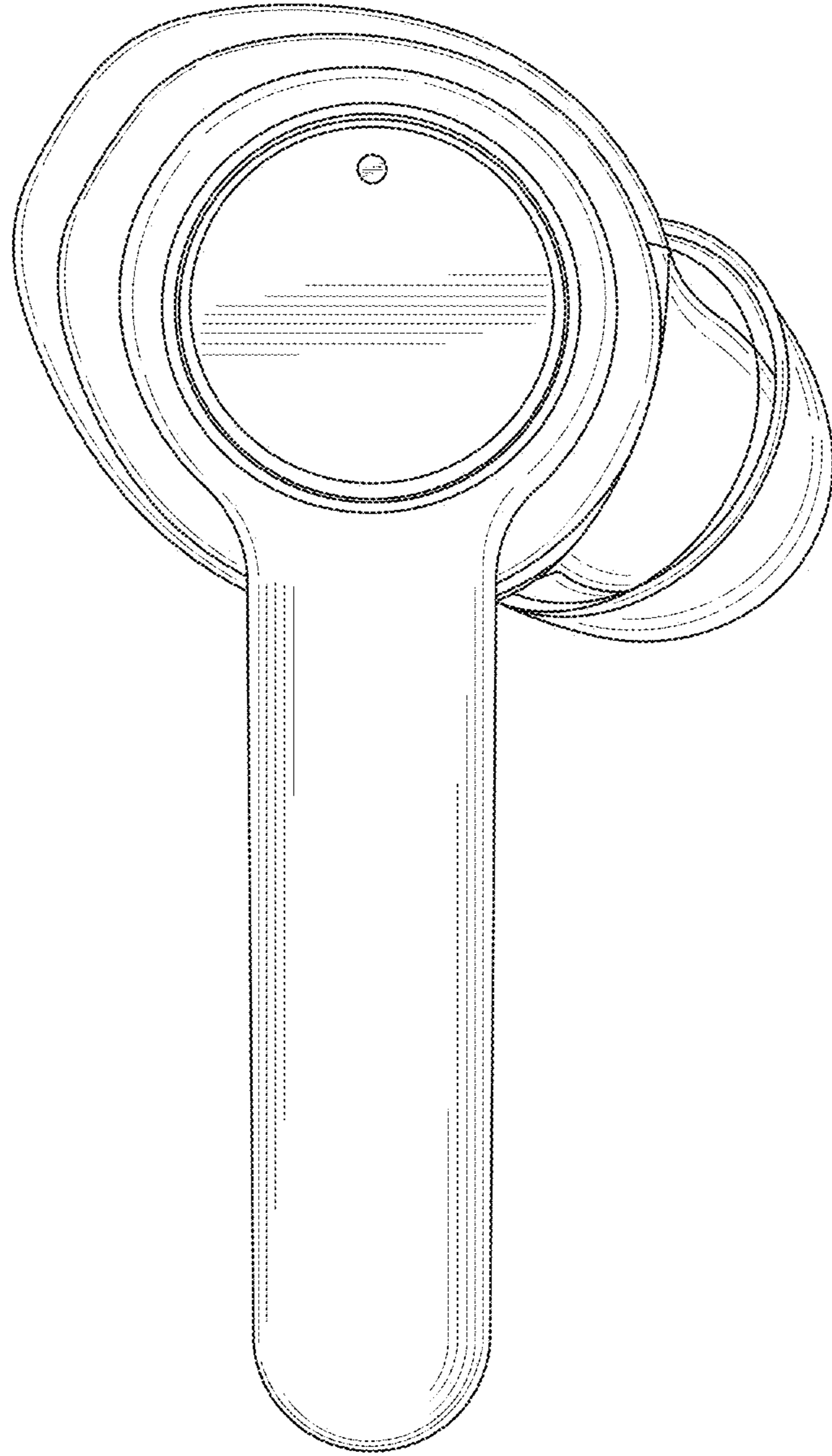


FIG. 9

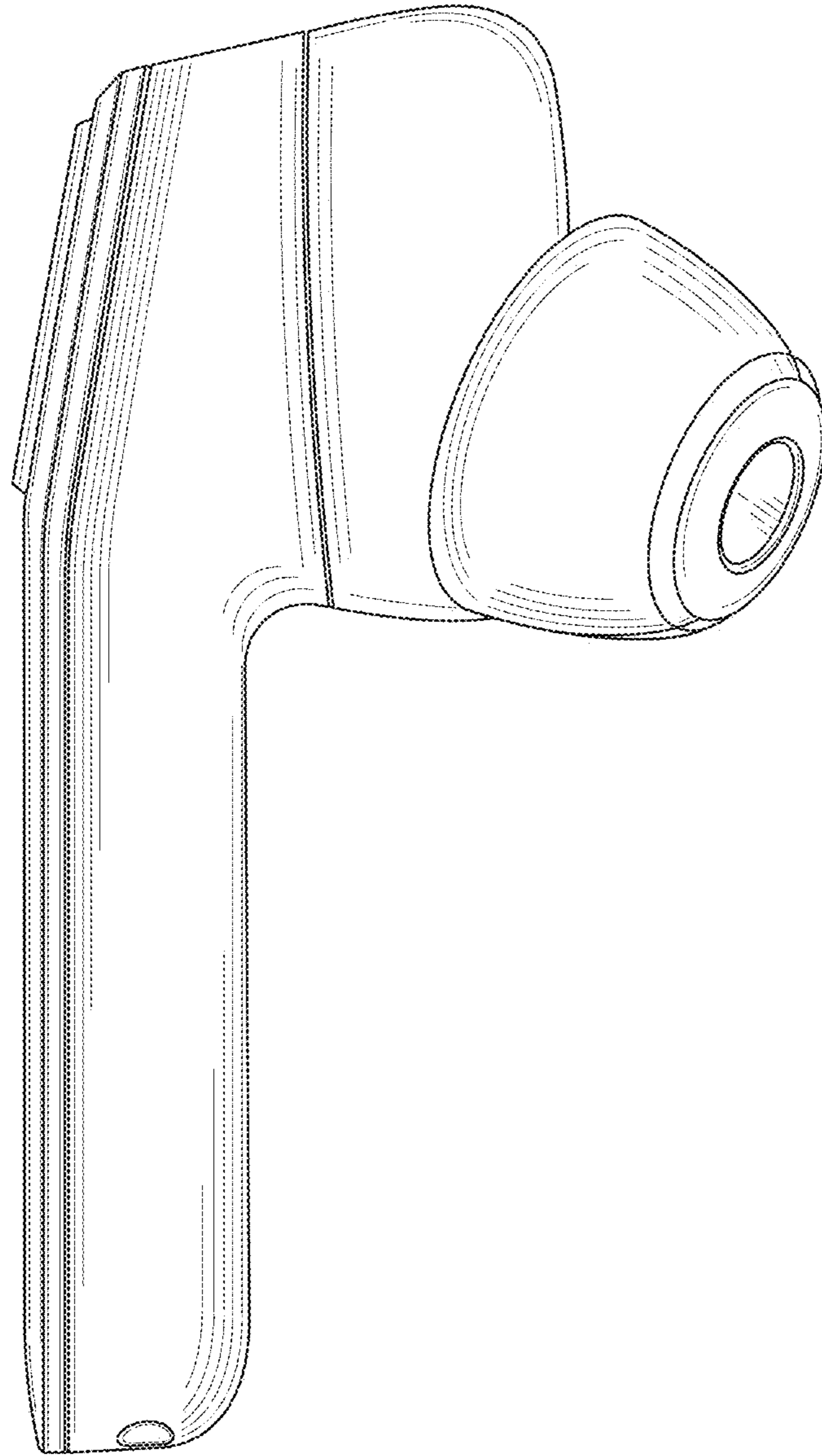


FIG. 10

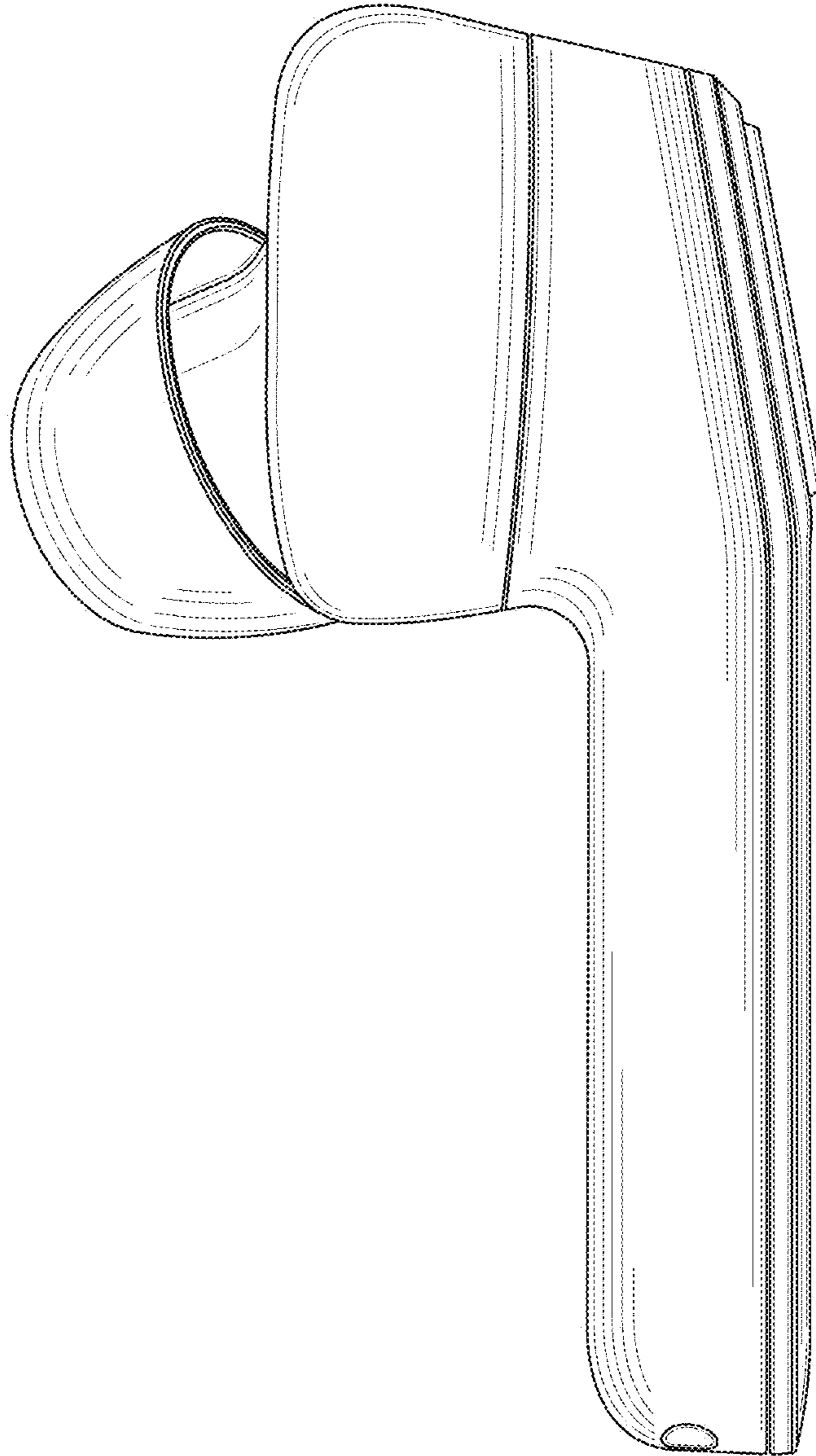


FIG. 11

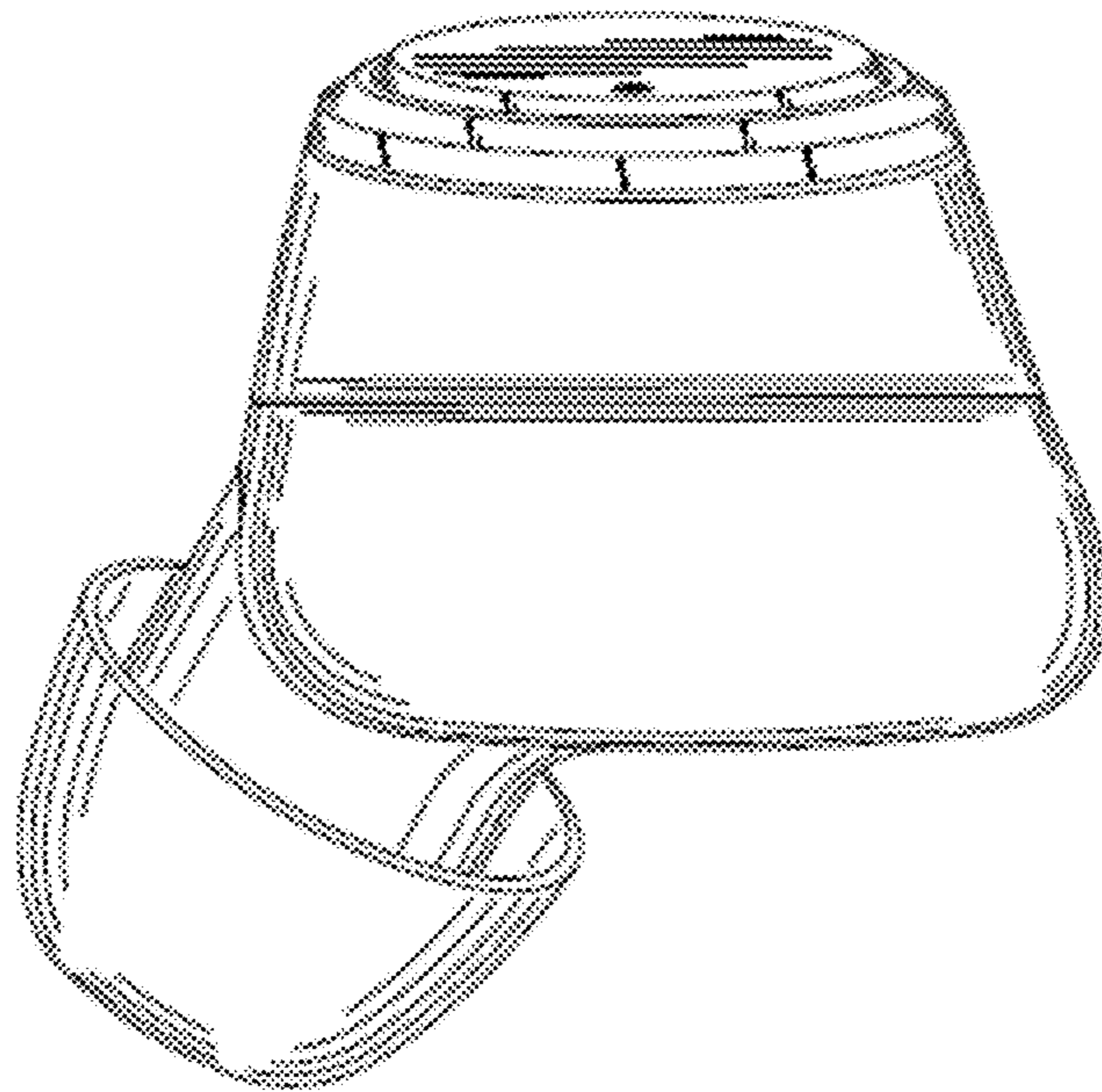


Fig. 12

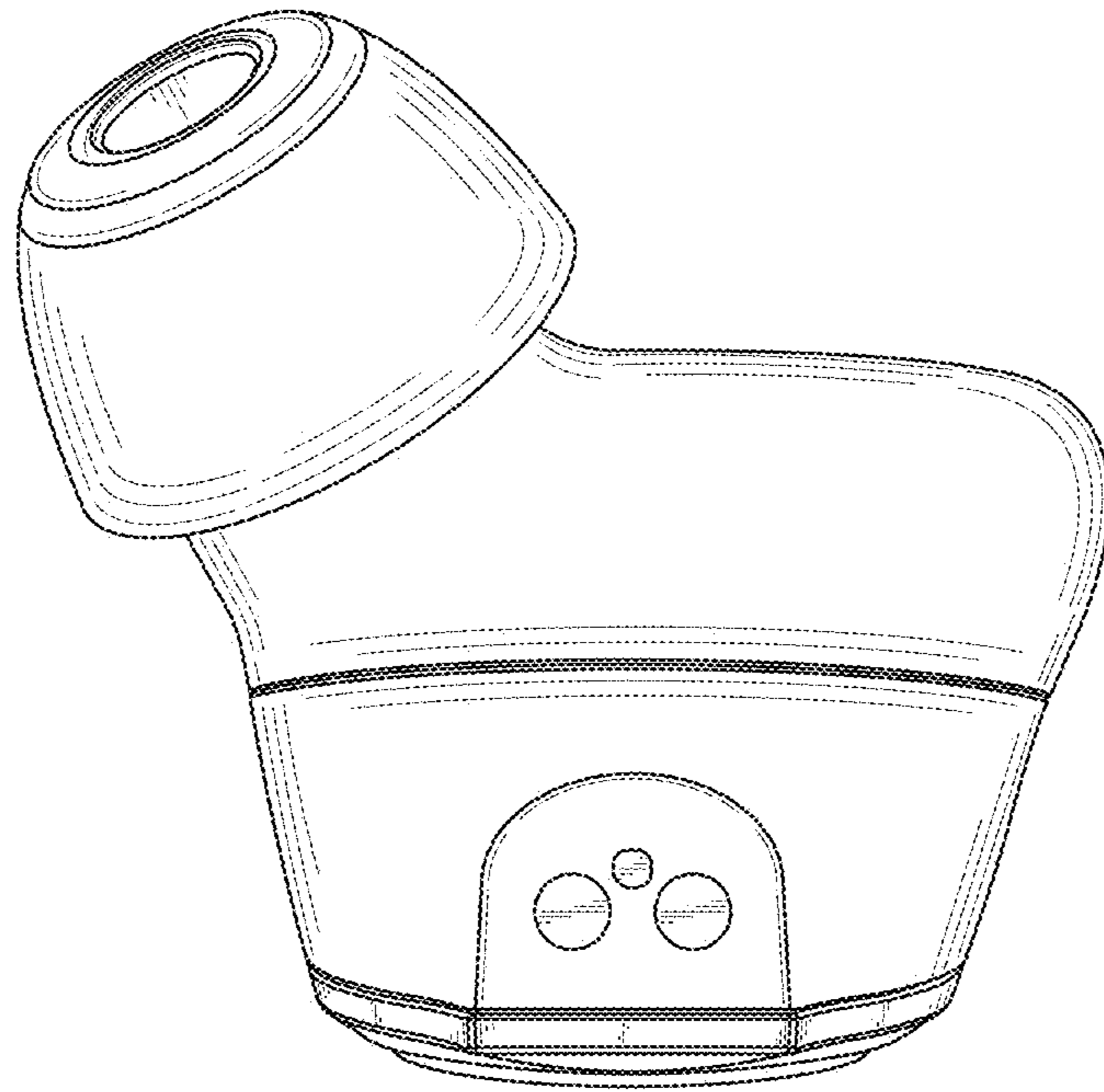


FIG. 13

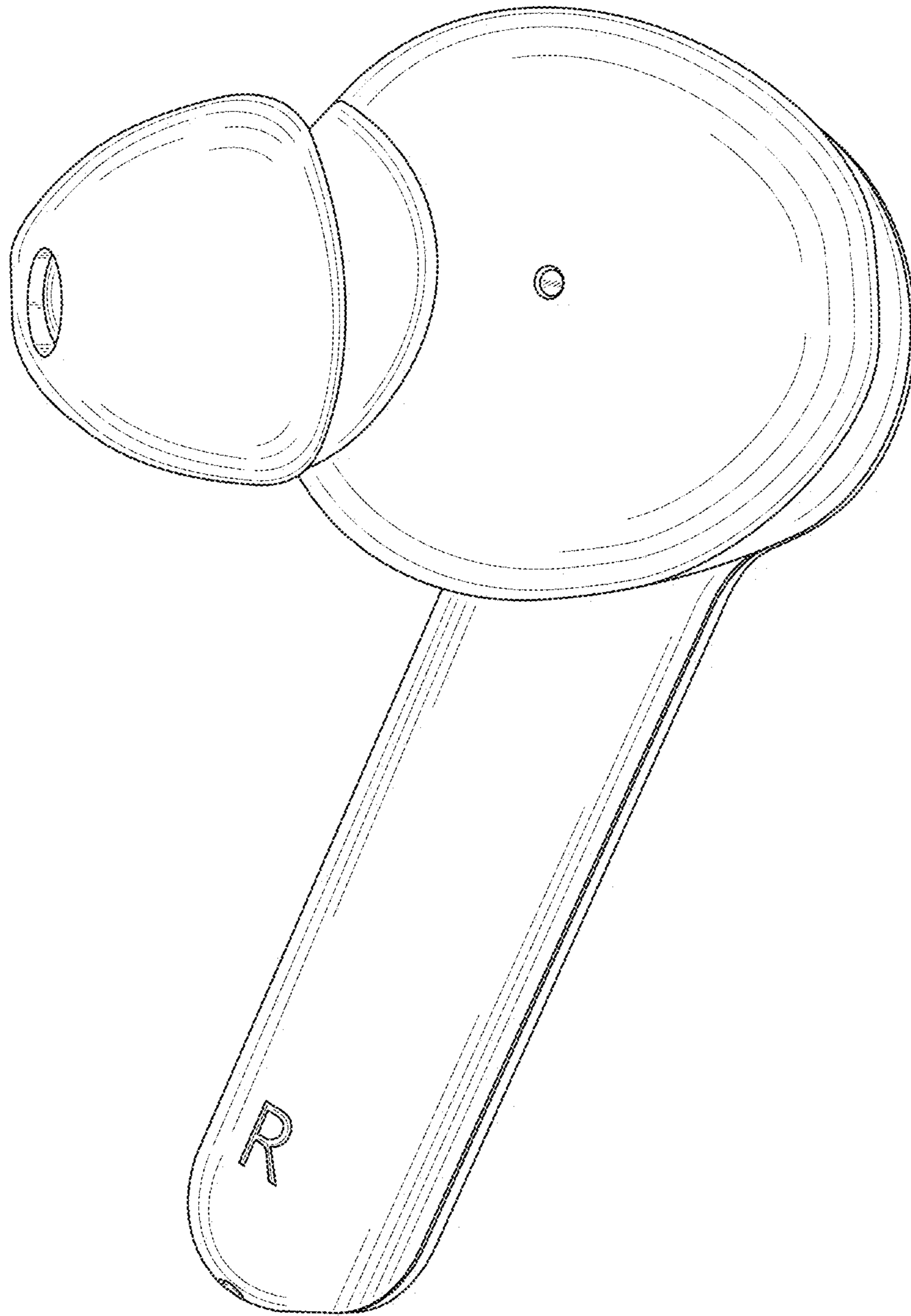


FIG. 14