



US00D914641S

(12) **United States Design Patent**  
**Bowers**

(10) **Patent No.: US D914,641 S**

(45) **Date of Patent: \*\* \*Mar. 30, 2021**

- (54) **COVER FOR A REMOTE CONTROL**
- (71) Applicant: **Brett Bowers**, Ardrossan (CA)
- (72) Inventor: **Brett Bowers**, Ardrossan (CA)
- (\*) Notice: This patent is subject to a terminal disclaimer.
- (\*\*) Term: **15 Years**
- (21) Appl. No.: **29/681,583**
- (22) Filed: **Feb. 26, 2019**
- (30) **Foreign Application Priority Data**  
  - Oct. 30, 2018 (CA) ..... 184380
- (51) **LOC (13) Cl.** ..... **14-03**
- (52) **U.S. Cl.**  
USPC ..... **D14/218; D3/218**
- (58) **Field of Classification Search**  
  - USPC ..... D13/168; D3/207, 215, 218; D8/356; D14/217, 218, 434; D19/34; D20/22, D20/23, 24, 27; D21/456, 597, 623, 657, D21/659, 694; D24/189; D11/5
  - CPC ..... A45F 5/00; A45F 5/021; A45F 2005/008; A45F 2003/144; A45F 2200/0516; G09F 23/00

See application file for complete search history.

- 4,445,894 A \* 5/1984 Kovacs ..... A61M 25/02 128/DIG. 26
- 4,489,867 A \* 12/1984 Schwemberger .... A44C 5/0038 224/219
- D280,529 S \* 9/1985 Cox ..... D19/141
- 4,646,731 A \* 3/1987 Brower ..... A61B 17/085 602/57
- D297,248 S \* 8/1988 Barr ..... D20/22
- 4,976,056 A \* 12/1990 Roberts ..... G09F 3/10 40/638
- D351,060 S \* 10/1994 Randazzo ..... D3/218
- D369,606 S \* 5/1996 Marks ..... D14/218
- D374,767 S \* 10/1996 Leach ..... D3/218
- D381,023 S \* 7/1997 Accardo ..... D10/104.1
- D384,669 S \* 10/1997 Collier ..... D14/218
- D405,118 S \* 2/1999 Murphy, Sr. .... D20/11
- D412,706 S \* 8/1999 Virost ..... D14/217
- D433,227 S \* 11/2000 Evans ..... D2/629
- D455,255 S \* 4/2002 Zeigler ..... D3/218
- D471,599 S \* 3/2003 Manville ..... D21/493
- 6,559,350 B1 \* 5/2003 Tetreault ..... A61F 13/023 602/42
- 6,606,768 B2 \* 8/2003 Henry ..... A45F 5/00 24/298
- D491,168 S \* 6/2004 Petrick ..... D14/218

(Continued)

*Primary Examiner* — Selina Sikder

(74) *Attorney, Agent, or Firm* — Sander R. Gelsing

(57) **CLAIM**

The ornamental design for a cover for a remote control, as shown and described.

**DESCRIPTION**

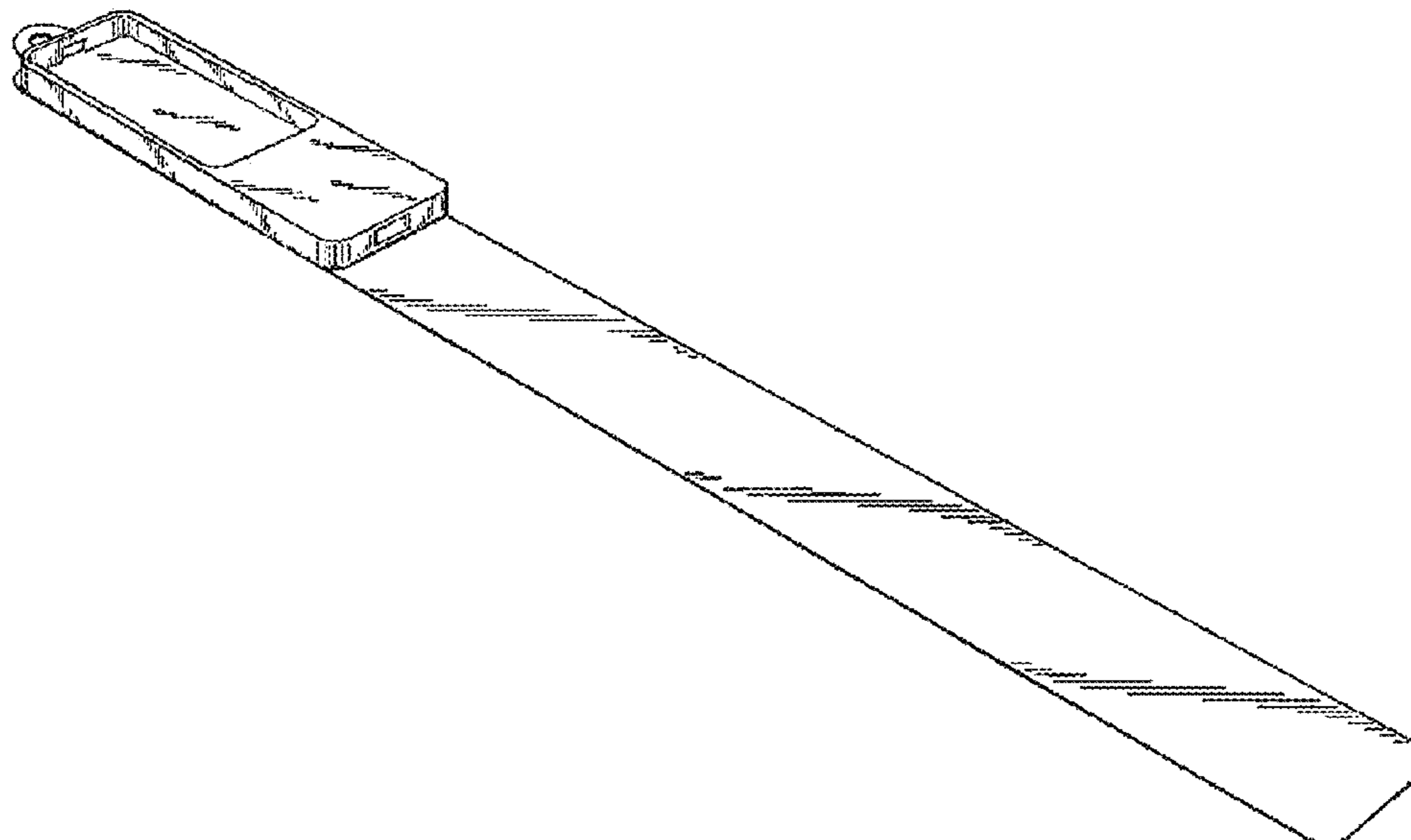
FIG. 1 is a front elevation view of the cover for a remote control;  
 FIG. 2 is a side elevation view thereof;  
 FIG. 3 is rear elevation view thereof;  
 FIG. 4 is top plan view thereof;  
 FIG. 5 is a bottom plan view thereof; and,  
 FIG. 6 is a perspective view thereof.

**1 Claim, 1 Drawing Sheet**

(56) **References Cited**

U.S. PATENT DOCUMENTS

- D22,775 S \* 9/1893 Best ..... D19/34
- 1,266,296 A \* 5/1918 Mark ..... A63H 27/10 446/224
- D144,564 S \* 4/1946 Heil ..... D19/34
- D163,657 S \* 6/1951 Wagner ..... D19/34
- 3,102,634 A \* 9/1963 Borisof ..... C09J 7/10 401/52
- D272,931 S \* 3/1984 Burgi ..... D21/650



(56)

References Cited

U.S. PATENT DOCUMENTS

D505,785	S *	6/2005	Woody .....	D3/215
D564,976	S *	3/2008	Billings .....	D13/168
D570,101	S *	6/2008	Harris .....	D3/218
D589,963	S *	4/2009	Sheba .....	D14/217
7,524,307	B2 *	4/2009	Davis .....	A61M 25/02
				128/DIG. 26
D611,611	S *	3/2010	Sachi .....	D24/189
D624,974	S *	10/2010	Taylor .....	D21/592
D647,079	S *	10/2011	Woods .....	D14/217
D656,544	S *	3/2012	Bensoussan .....	D19/34
D666,409	S *	9/2012	Andre .....	D3/218
D676,490	S *	2/2013	Bratter .....	D19/1
D677,652	S *	3/2013	Gifford .....	D14/217
D718,522	S *	12/2014	Larsen .....	D3/215
D725,708	S *	3/2015	Williams .....	D20/22
D743,565	S *	11/2015	Engel .....	D24/189
D748,911	S *	2/2016	Grech .....	D3/218
D762,263	S *	7/2016	Canchola .....	D20/27
D811,729	S *	3/2018	Bysshe .....	D3/218
D812,558	S *	3/2018	Park .....	D13/107
D839,963	S *	2/2019	Canchola .....	D20/22
D858,479	S *	9/2019	Saga .....	D14/155
D885,587	S *	5/2020	Park .....	D24/189
2001/0035121	A1 *	11/2001	Huling .....	G09F 23/00
				116/200

\* cited by examiner



FIG. 1



FIG. 2

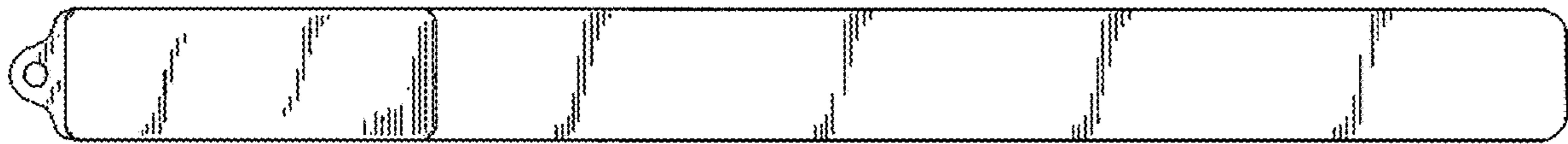


FIG. 3



FIG. 4

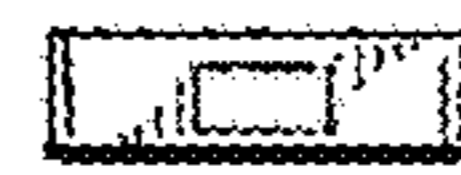


FIG. 5

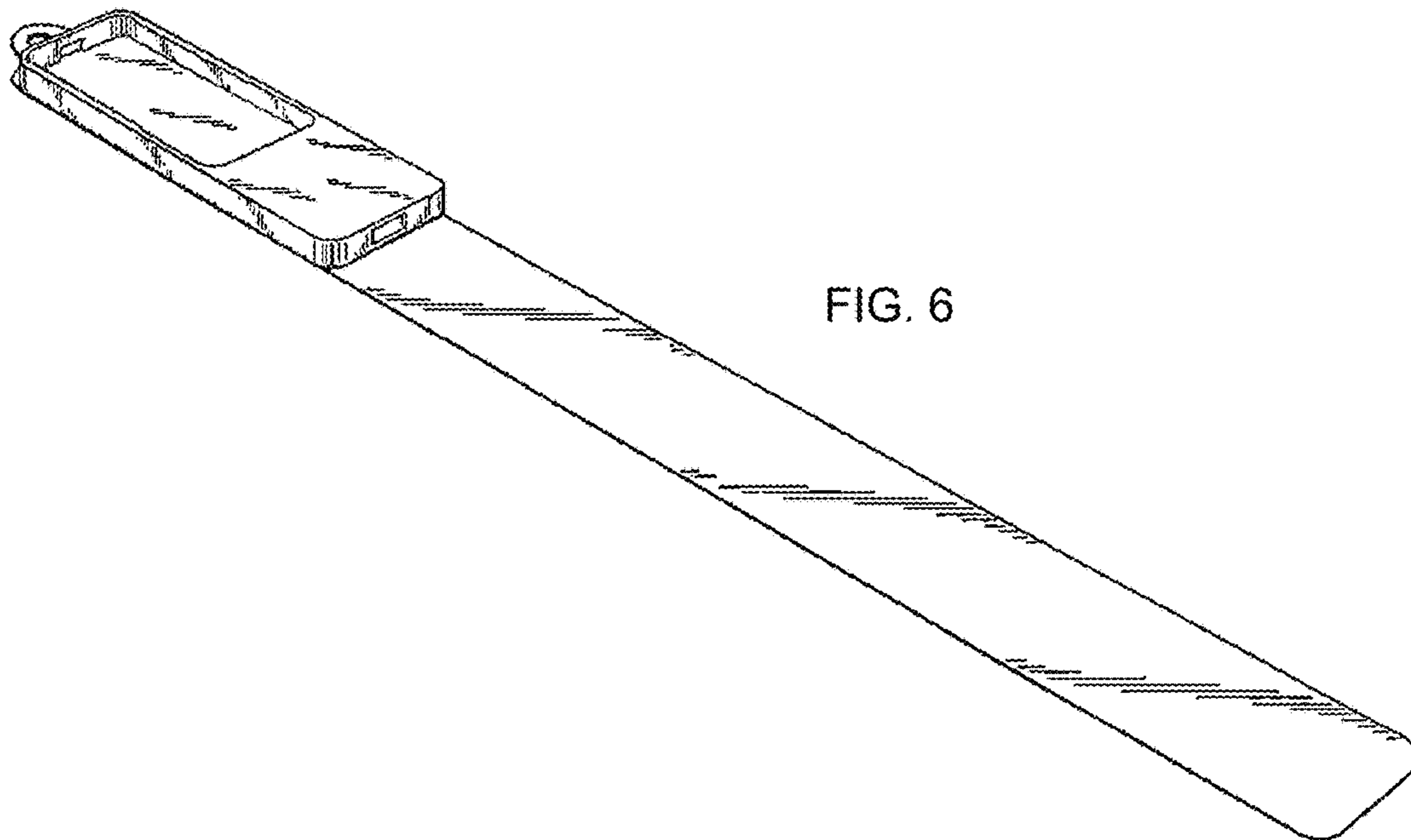


FIG. 6