



US00D914640S

(12) **United States Design Patent**  
**Wang**

(10) **Patent No.:** **US D914,640 S**

(45) **Date of Patent:** **\*\* Mar. 30, 2021**

(54) **WIRELESS SPEAKER**

(71) Applicant: **Qingcai Wang**, Guangdong (CN)

(72) Inventor: **Qingcai Wang**, Guangdong (CN)

(\*\*) Term: **15 Years**

(21) Appl. No.: **29/744,741**

(22) Filed: **Jul. 31, 2020**

(51) **LOC (13) Cl.** ..... **14-01**

(52) **U.S. Cl.**  
USPC ..... **D14/215**; D14/214

(58) **Field of Classification Search**

USPC ..... D14/167, 168, 170–172, 188, 194–196,  
D14/204, 209.1, 210–216, 219, 221, 222,  
D14/224, 239, 496

CPC ..... B60R 11/0217; G06F 1/1688; G10K 9/22;  
G10K 11/004; H04M 1/03; H04M 1/035;  
H04N 5/642; H04N 21/4852; H04R 1/02;  
H04R 1/06; H04R 1/021; H04R 1/025;  
H04R 1/026; H04R 1/028; H04R 1/105;  
H04R 1/323; H04R 1/403; H04R 1/2803;  
H04R 1/2834; H04R 5/02; H04R 7/20;  
H04R 9/06; H04R 9/025; H04R  
2201/021; H04R 2400/00; H04R 2201/07;  
H04R 2499/11; H04R 2499/13; H04R  
2499/15; H04S 3/00; H04S 7/30

See application file for complete search history.

(56) **References Cited**

**U.S. PATENT DOCUMENTS**

D488,797 S \* 4/2004 Hioki ..... H04R 5/04  
D14/168  
D571,347 S \* 6/2008 Masul ..... D14/168  
D597,065 S \* 7/2009 Hong ..... D14/188

D624,047 S \* 9/2010 Kim ..... D14/215  
D657,774 S \* 4/2012 Chung ..... D14/168  
D671,094 S \* 11/2012 Kokawa ..... D14/198  
D692,866 S \* 11/2013 Tanaka ..... D14/215  
D741,795 S \* 10/2015 Conrad ..... D13/108  
D766,868 S \* 9/2016 Breines ..... D14/204  
D822,634 S \* 7/2018 Zaihui  
D902,881 S \* 11/2020 Takahashi ..... D14/197  
2013/0177198 A1 \* 7/2013 Hogue ..... H04R 5/04  
381/394

\* cited by examiner

*Primary Examiner* — Keli L Hill

(74) *Attorney, Agent, or Firm* — ZANIP

(57) **CLAIM**

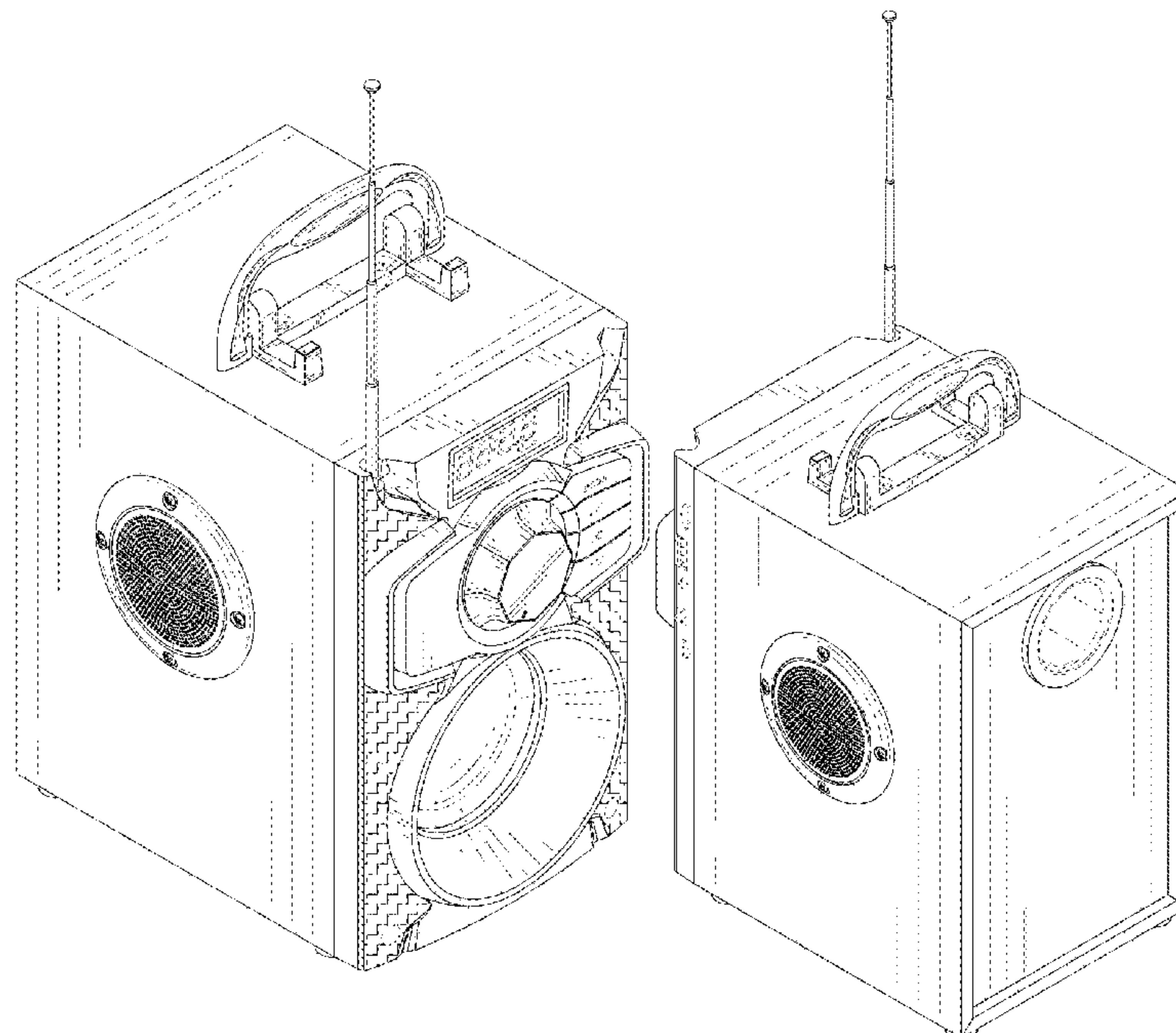
The ornamental design for a wireless speaker, as shown and described.

**DESCRIPTION**

FIG. 1 is a front and top perspective view of a wireless speaker, showing my new design;  
FIG. 2 is a rear and top perspective view thereof;  
FIG. 3 is a front elevational view thereof;  
FIG. 4 is a rear elevational view thereof;  
FIG. 5 is a left side elevational view thereof;  
FIG. 6 is a right side elevational view thereof;  
FIG. 7 is a top plan view thereof;  
FIG. 8 is a bottom plan view thereof; and,  
FIG. 9 is an enlarged view of a portion labeled, 'FIG. 9' in FIG. 1.

The dashed broken lines in the figures illustrate portions of the article that form no part of the claimed design. The dash dot dash lines in FIGS. 1 and 9 are for the purpose of depicting the cut line of the enlarged view and form no part of the claim.

**1 Claim, 9 Drawing Sheets**



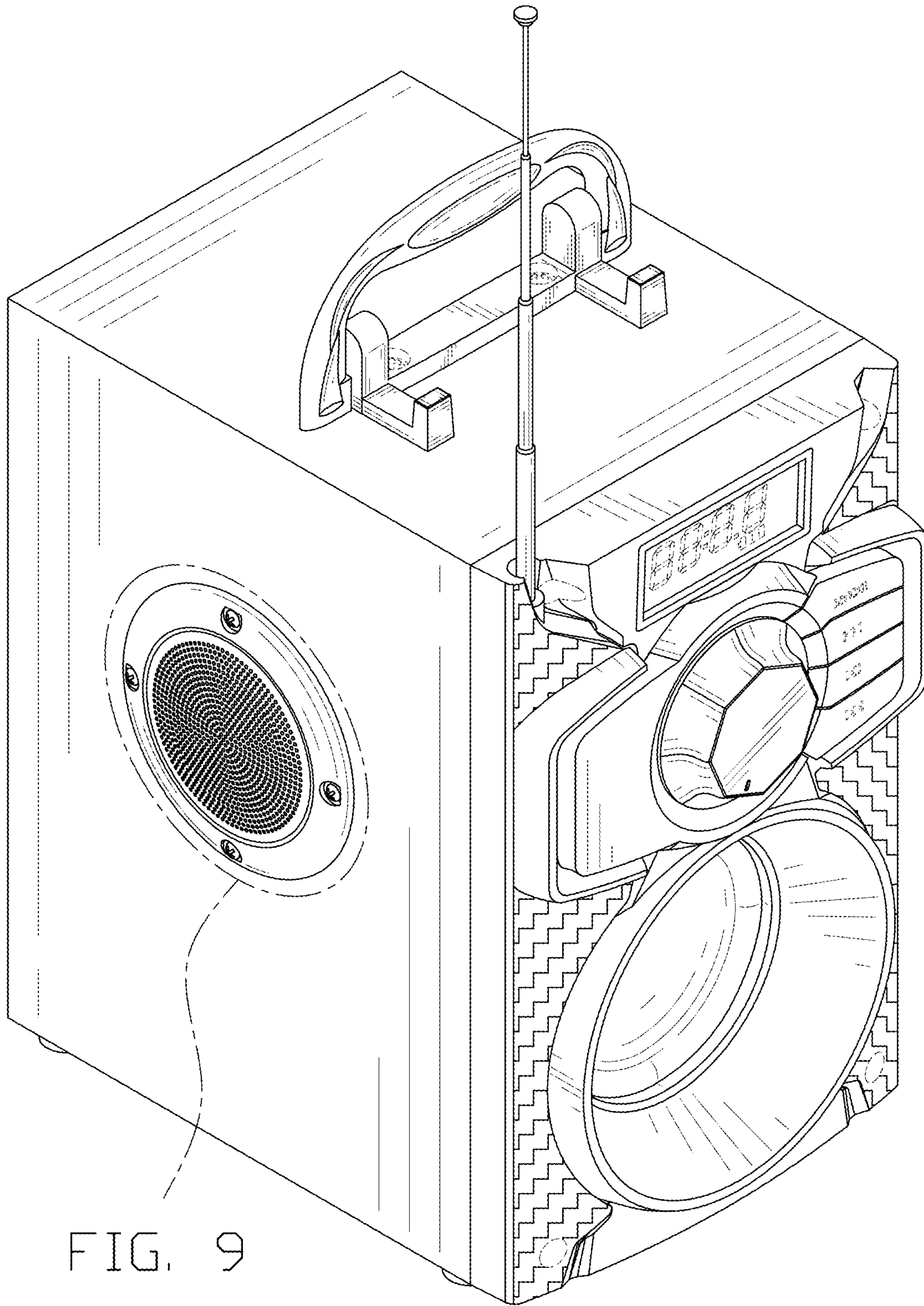


FIG. 9

FIG. 1



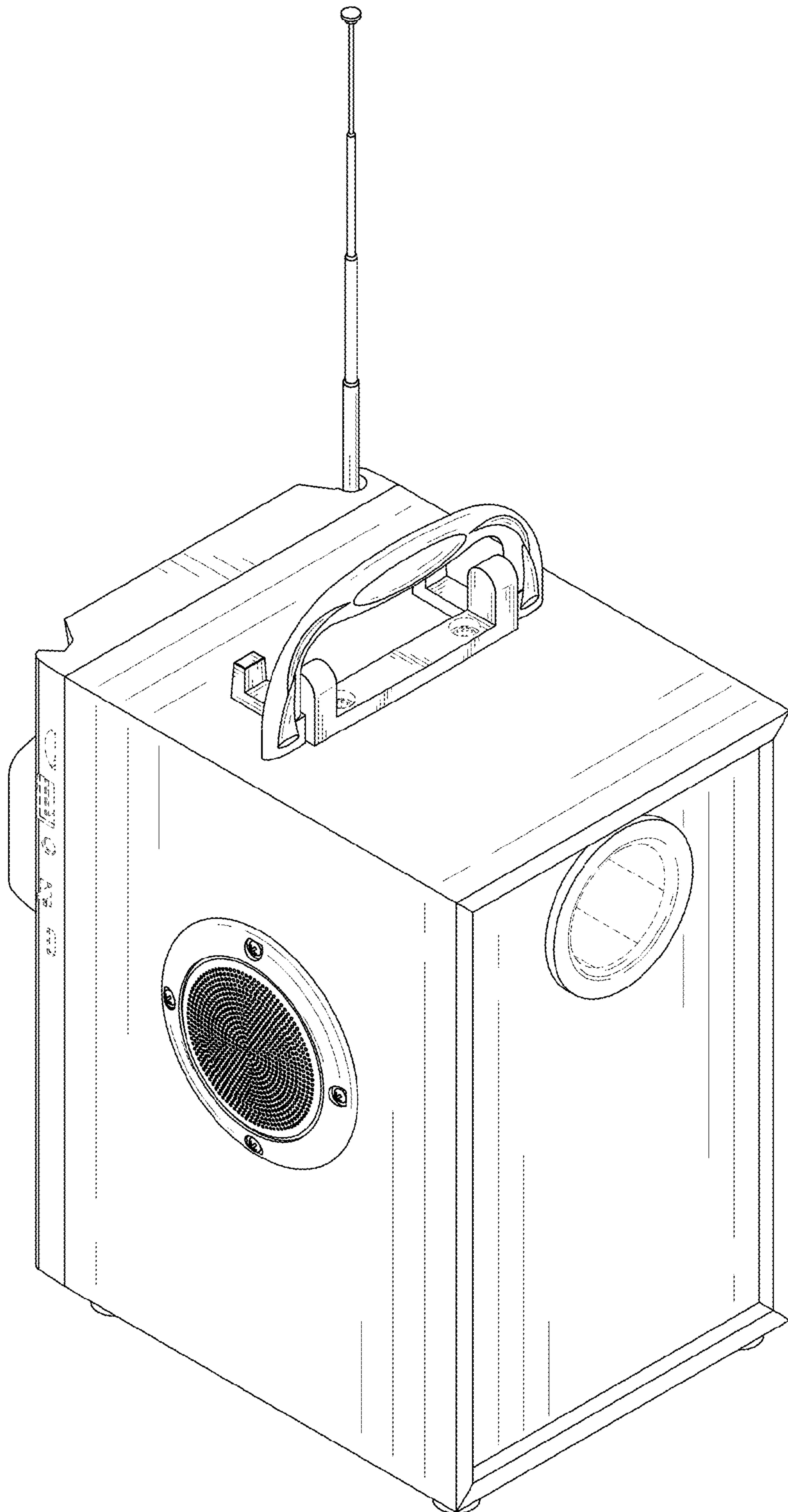


FIG. 2

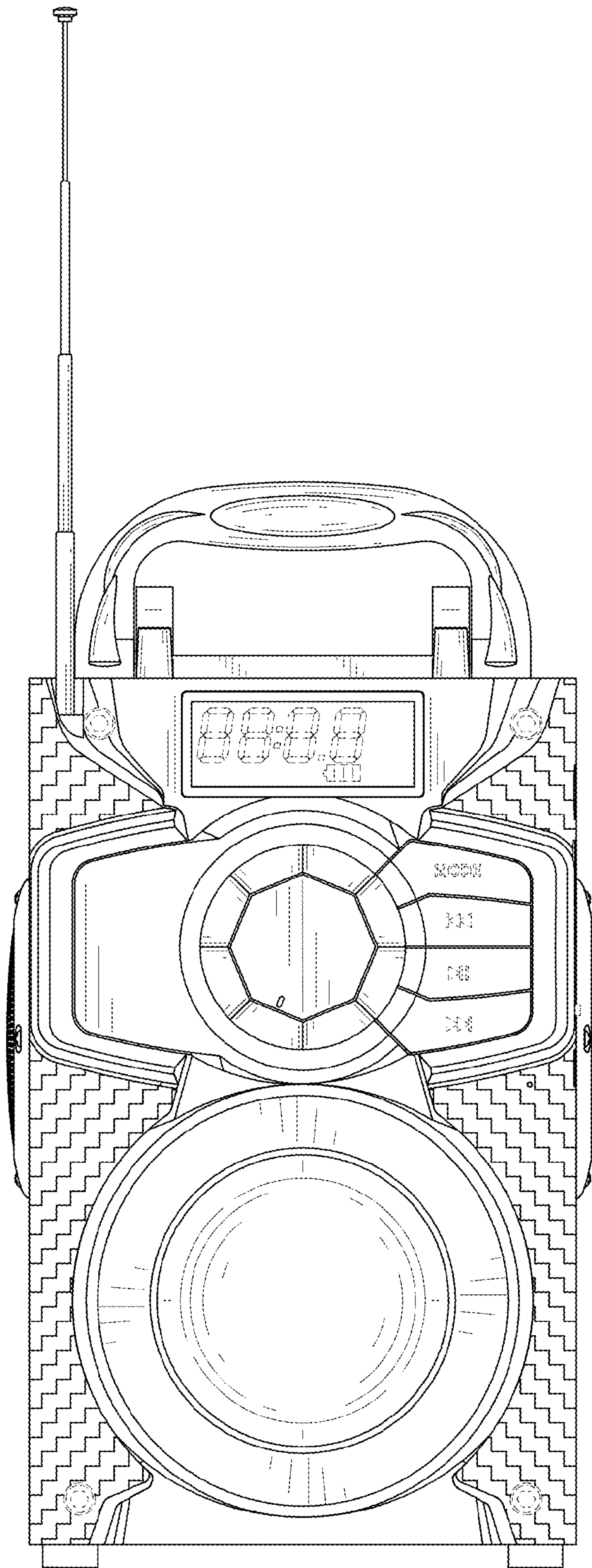


FIG. 3

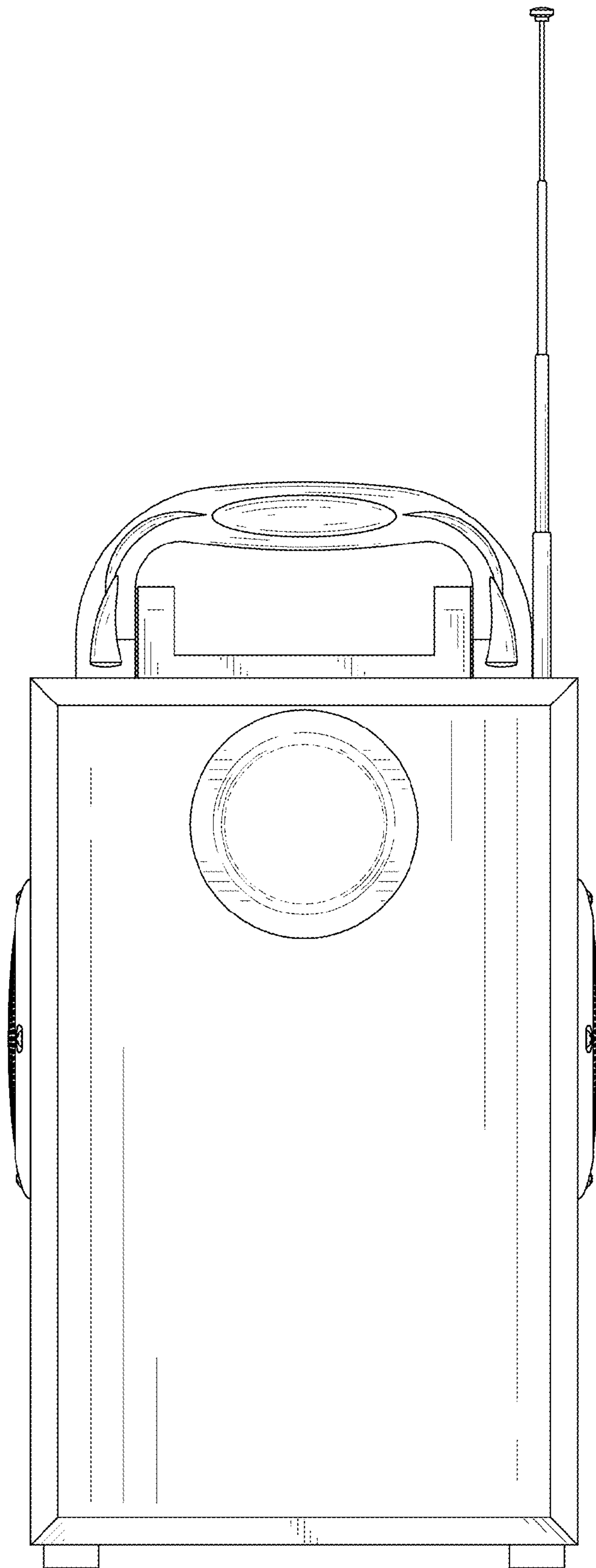


FIG. 4

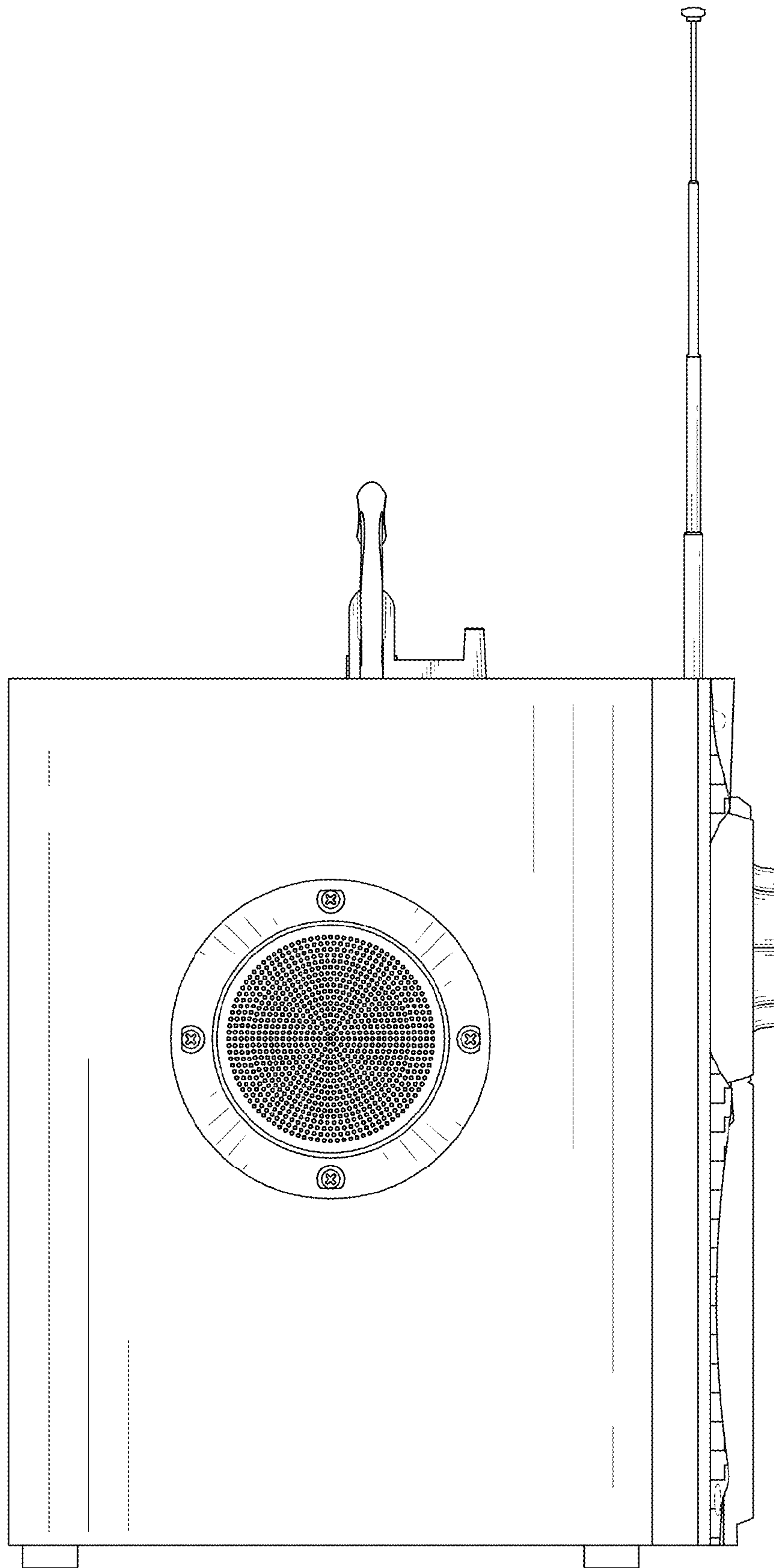


FIG. 5

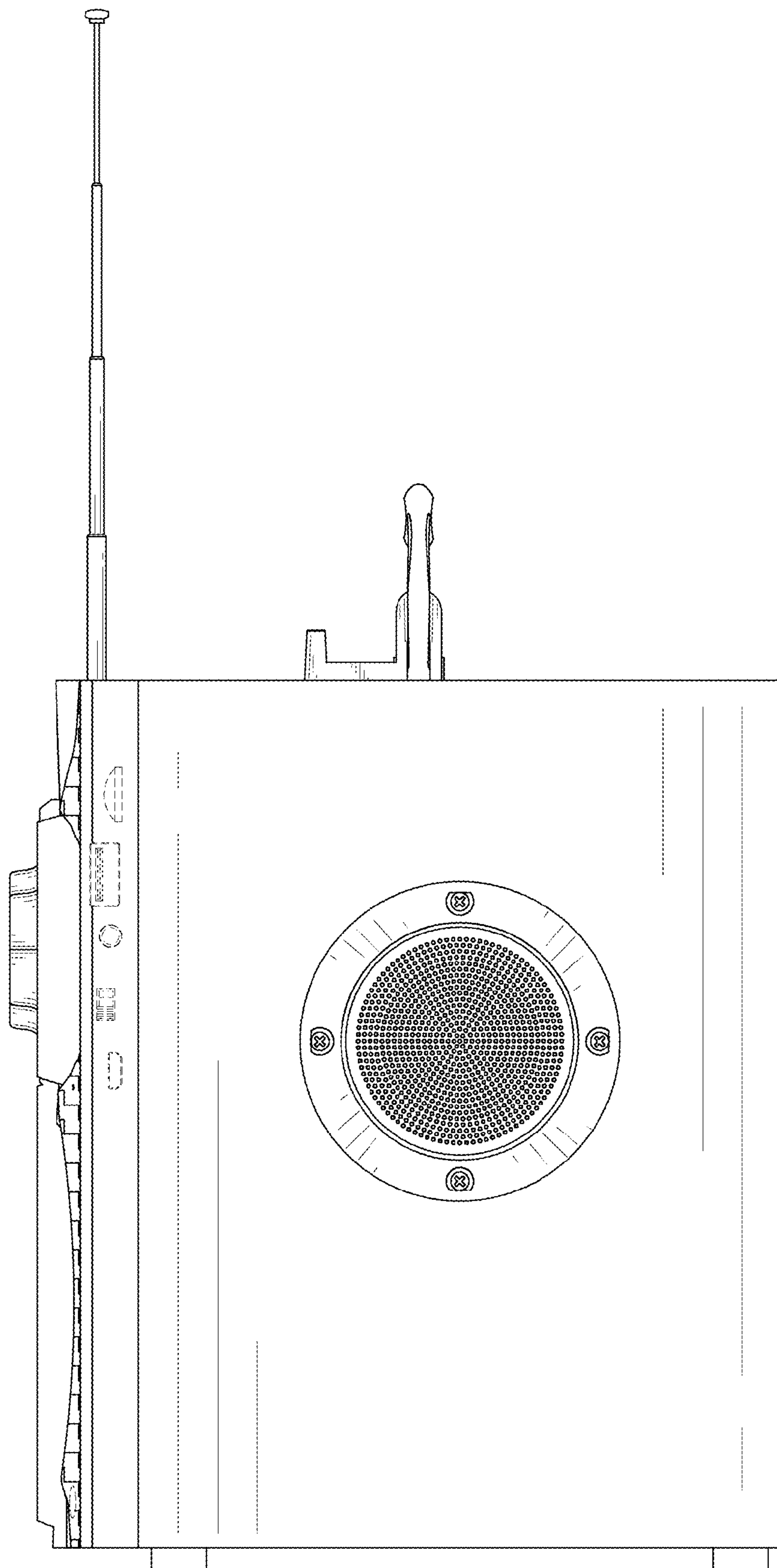


FIG. 6



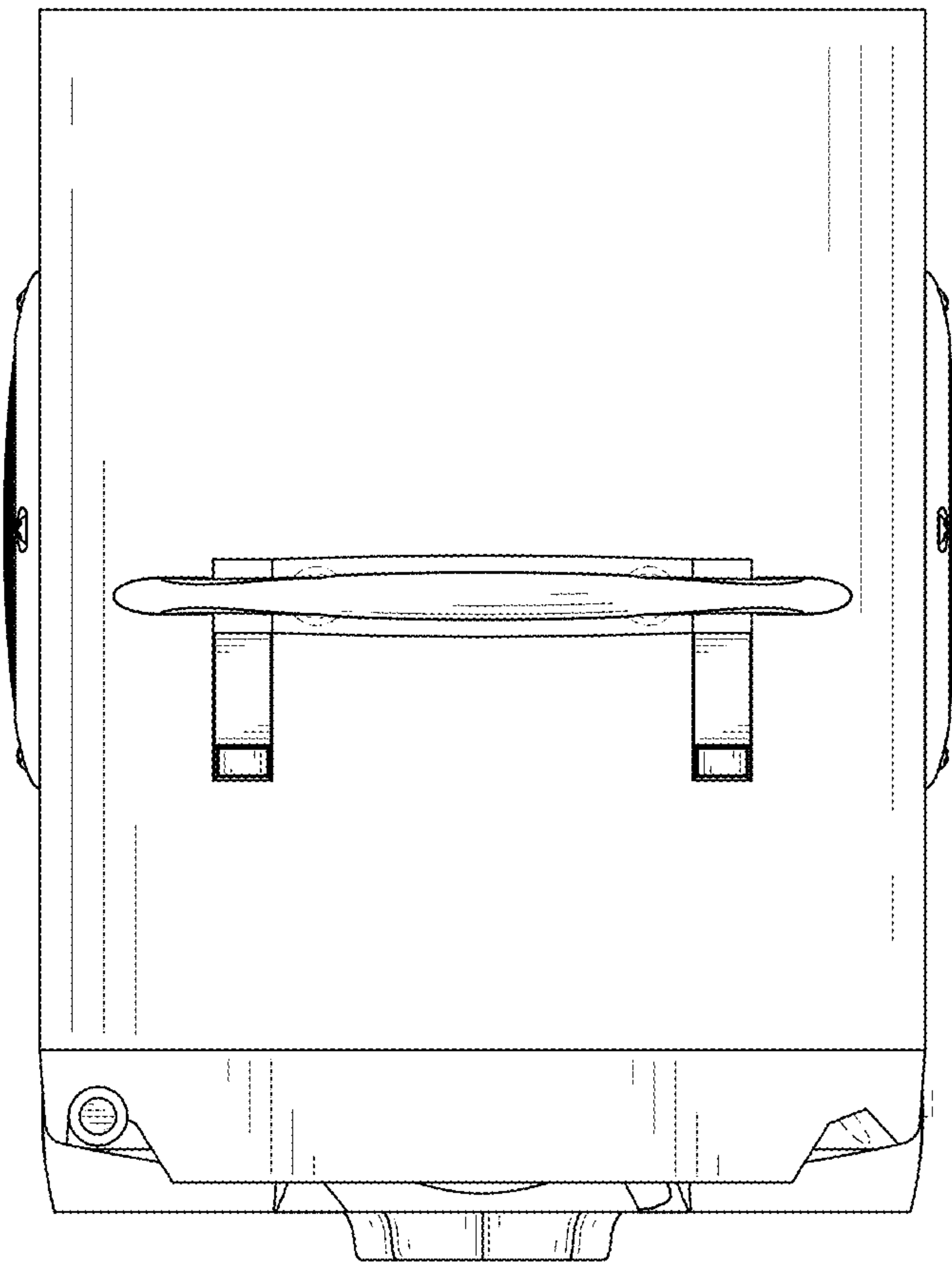


FIG. 7



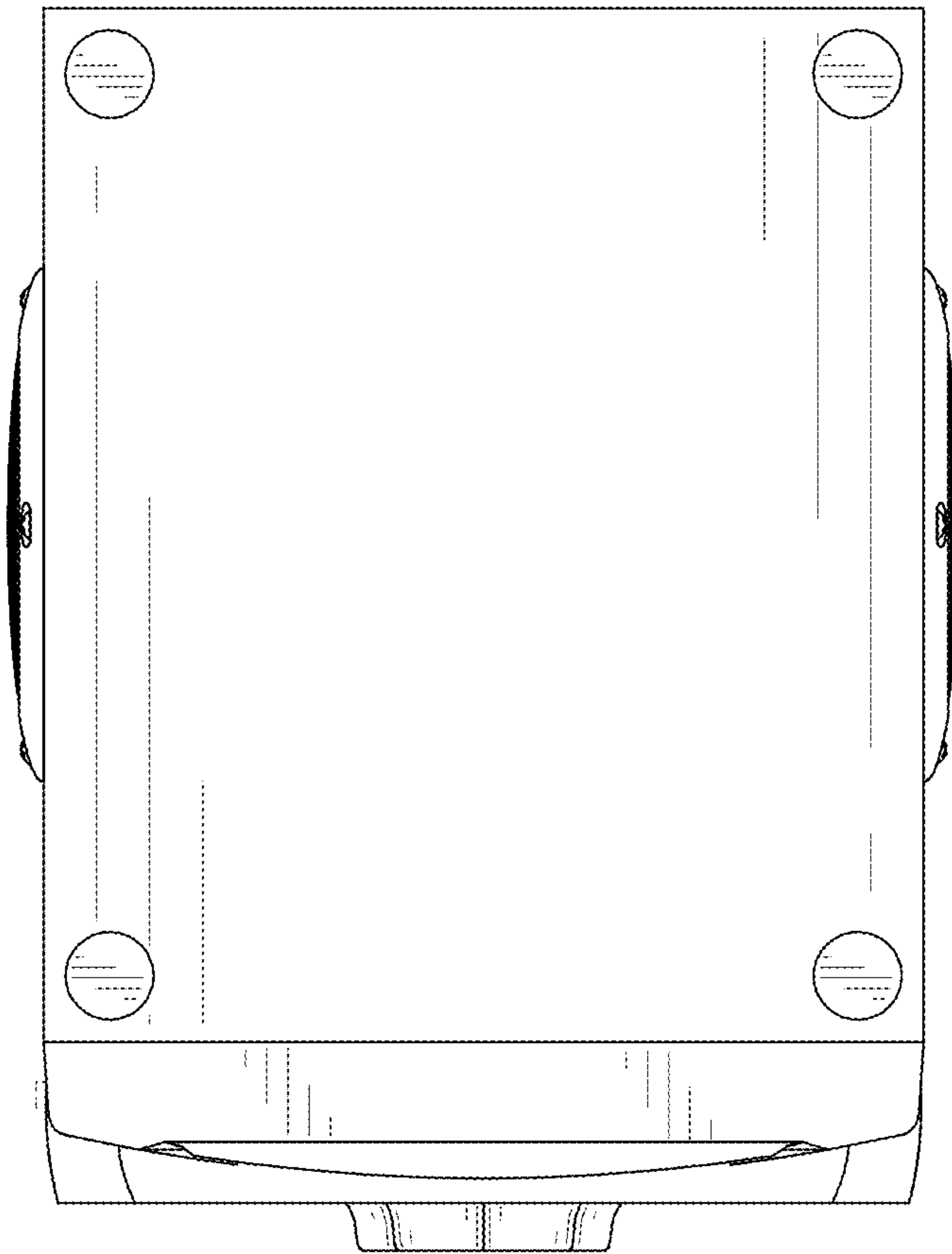


FIG. 8

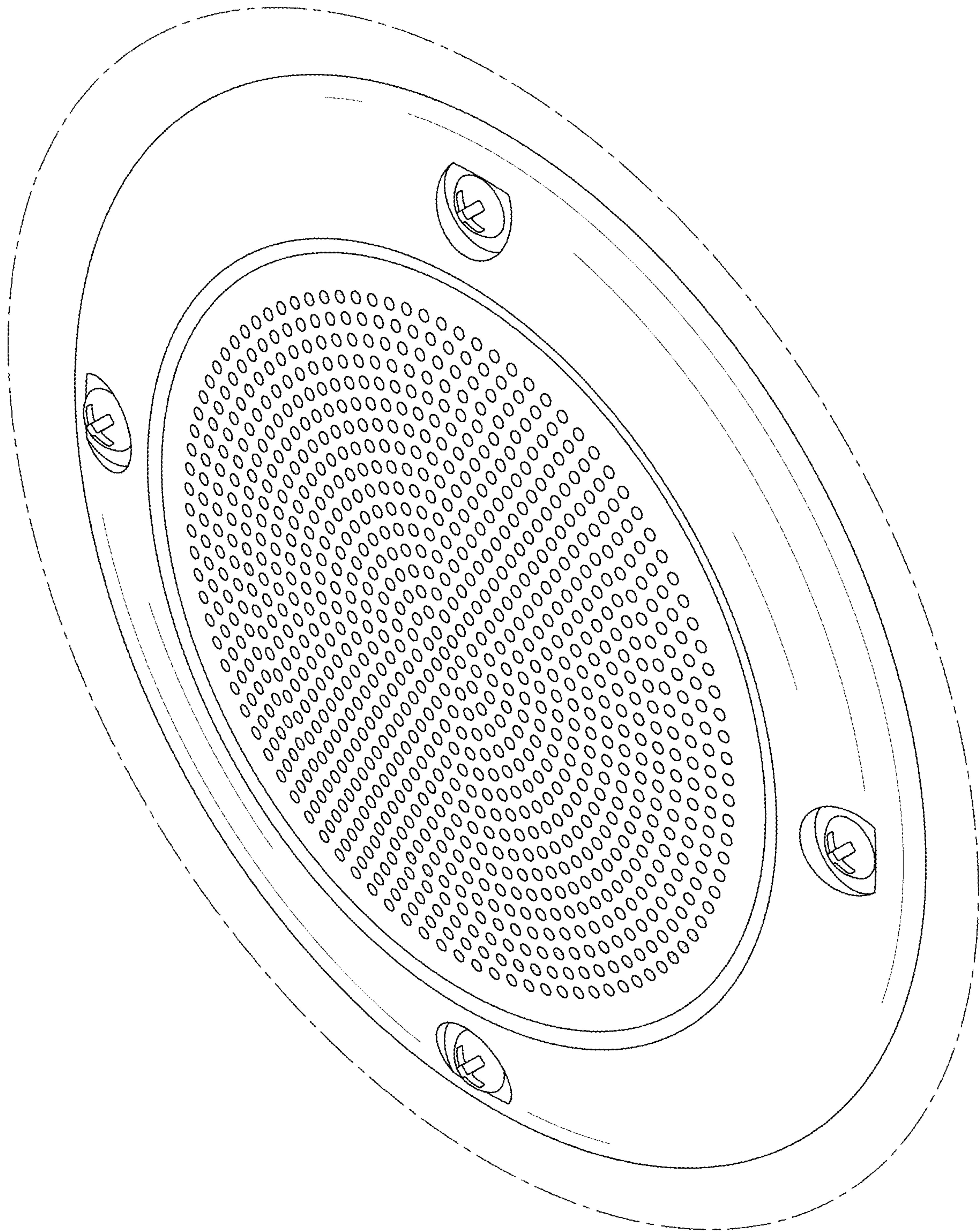


FIG. 9