



US00D914637S

(12) **United States Design Patent**
Shen

(10) **Patent No.:** **US D914,637 S**

(45) **Date of Patent:** **** *Mar. 30, 2021**

(54) **HEADPHONE**

(71) Applicant: **Guifeng Shen**, Pingyuan (CN)

(72) Inventor: **Guifeng Shen**, Pingyuan (CN)

(*) Notice: This patent is subject to a terminal disclaimer.

(**) Term: **15 Years**

(21) Appl. No.: **29/734,211**

(22) Filed: **May 11, 2020**

(51) **LOC (13) Cl.** **14-01**

(52) **U.S. Cl.**

USPC **D14/206**; D14/226

(58) **Field of Classification Search**

USPC D14/206, 225, 226, 205, 188, 192;
381/380, 381, 374; 455/90.3, 575.1,
455/569.1; D29/112; 2/209

CPC H04R 25/00; H04R 25/02; H04R 1/1066;
H04R 1/1016; H04R 5/033; H04R
5/0335; H04R 1/1083; H04R 1/1091;
H04R 1/105; H04R 19/04; H04R 9/06
See application file for complete search history.

(56) **References Cited**

U.S. PATENT DOCUMENTS

| | | | | | | |
|-----------|---|---|---------|-----------|-------|------------------------|
| D202,273 | S | * | 9/1965 | Brendgord | | D8/311 |
| 3,488,457 | A | * | 1/1970 | Lahti | | H04R 1/1008 381/371 |
| D246,519 | S | * | 11/1977 | Kato | | D14/205 |
| D270,634 | S | * | 9/1983 | Ungar | | D14/205 |
| D345,163 | S | * | 3/1994 | Yamatogi | | D14/205 |
| D351,172 | S | * | 10/1994 | Nakamura | | D14/205 |
| D358,389 | S | * | 5/1995 | Isono | | D14/205 |
| D405,449 | S | * | 2/1999 | Nakamura | | D14/205 |
| D410,466 | S | * | 6/1999 | Mouri | | D14/205 |
| D420,356 | S | * | 2/2000 | Suzuki | | D14/205 |
| 6,154,539 | A | * | 11/2000 | Pitel | | H04M 1/05 379/430 |

| | | | | | | |
|-----------|----|---|---------|------------|-------|-------------------------|
| D435,249 | S | * | 12/2000 | Yasutomi | | D14/205 |
| D457,874 | S | * | 5/2002 | Yoneda | | D14/205 |
| 6,483,925 | B1 | * | 11/2002 | Shen | | H04R 1/105 381/370 |
| D467,580 | S | * | 12/2002 | Mori | | D14/223 |
| D484,485 | S | * | 12/2003 | Matsuoka | | D14/205 |
| D519,497 | S | * | 4/2006 | Komiyama | | D14/223 |
| 7,106,873 | B1 | * | 9/2006 | Harrison | | A61N 1/36038 381/330 |
| D534,155 | S | * | 12/2006 | Obata | | D14/205 |
| D541,257 | S | * | 4/2007 | Thursfield | | D14/205 |
| D567,215 | S | * | 4/2008 | Lee | | D14/205 |
| 7,391,878 | B2 | * | 6/2008 | Liao | | H04R 5/033 381/370 |
| D588,100 | S | * | 3/2009 | Densho | | D14/205 |
| D593,995 | S | * | 6/2009 | Shimizu | | D14/205 |
| D625,705 | S | * | 10/2010 | Ohuri | | D14/205 |

(Continued)

FOREIGN PATENT DOCUMENTS

EM 007448683-0001 * 12/2019

Primary Examiner — Paula Allen Greene

(74) *Attorney, Agent, or Firm* — Rumit R. Kanakia

(57) **CLAIM**

I claim the ornamental design for a headphone, as shown and described.

DESCRIPTION

FIG. 1 is a left Perspective view of a headphone showing my new design;

FIG. 2 is the right Perspective view thereof;

FIG. 3 is a Front view thereof;

FIG. 4 is a Back view thereof;

FIG. 5 is a Right-side view thereof;

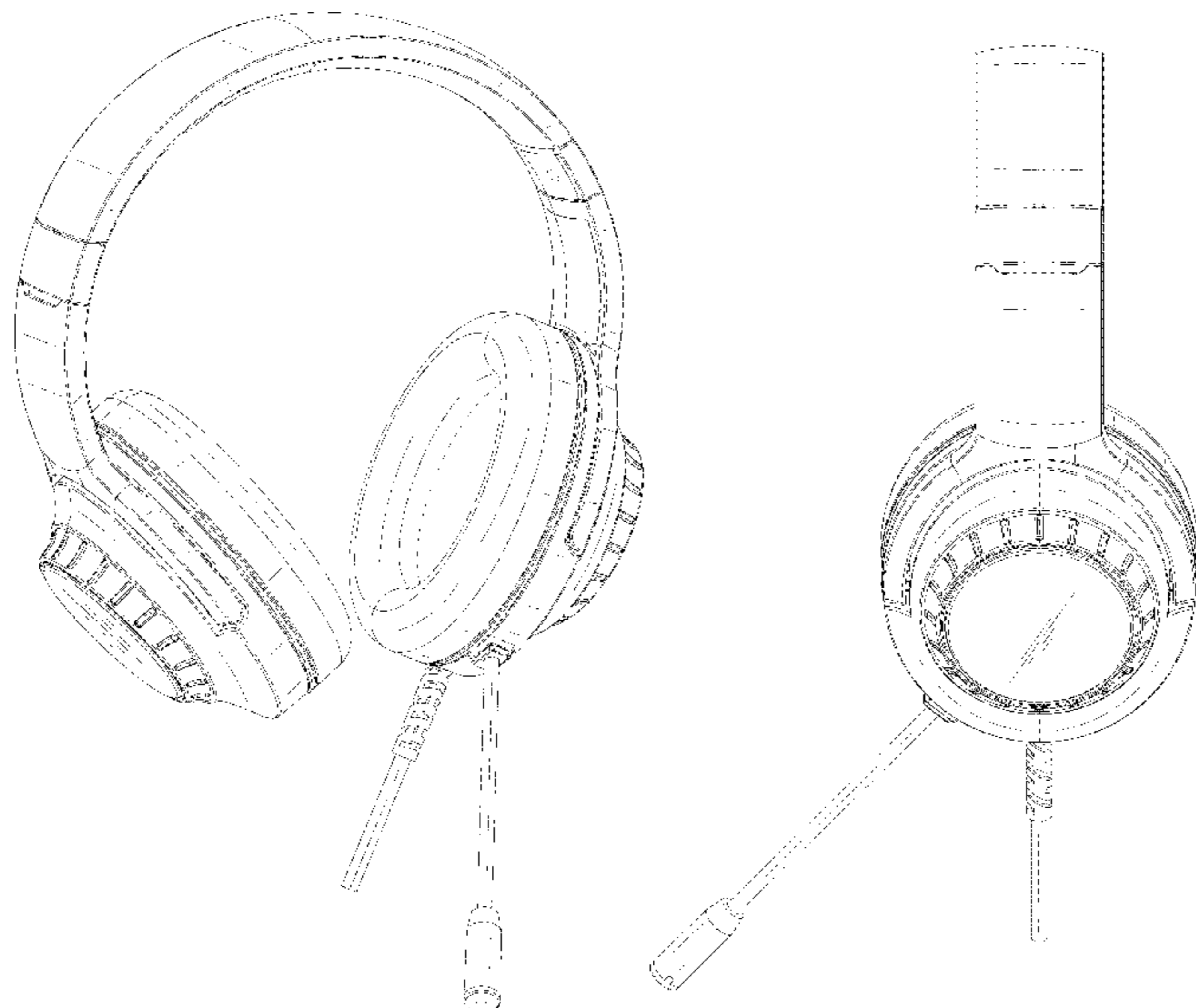
FIG. 6 is a Left-side view thereof;

FIG. 7 is a Top view thereof; and,

FIG. 8 is a Bottom view thereof.

The broken lines depict environment that forms no part of the claimed design.

1 Claim, 8 Drawing Sheets



(56)

References Cited

U.S. PATENT DOCUMENTS

D634,732 S * 3/2011 Kondo D14/205
 D637,176 S * 5/2011 Brunner D14/205
 D641,003 S 7/2011 Alden
 D642,554 S * 8/2011 Schaal D14/205
 D657,344 S * 4/2012 Brunner D14/205
 D657,346 S * 4/2012 Park D14/205
 D662,080 S * 6/2012 Carr D14/205
 D662,490 S * 6/2012 McSweyn D14/205
 D673,136 S * 12/2012 Kelly D14/205
 D673,519 S * 1/2013 Tan D14/205
 D696,644 S * 12/2013 Sejpka D14/205
 D716,762 S * 11/2014 Greve D14/206
 D719,136 S * 12/2014 Schaal D14/205
 D722,996 S * 2/2015 Doty D14/205
 D727,287 S * 4/2015 Ishikura D14/205
 D728,512 S * 5/2015 Nakagawa D14/205
 D734,297 S * 7/2015 Sasaki D14/205
 D760,687 S * 7/2016 Brunner D14/205
 D761,761 S * 7/2016 Ando D14/205
 D763,223 S * 8/2016 Czaniecki D14/205
 D765,055 S * 8/2016 Hsieh D14/205
 D766,870 S * 9/2016 Catalano D14/205
 D784,956 S * 4/2017 Homewood D14/205
 D789,327 S * 6/2017 Miyake D14/205
 D791,103 S * 7/2017 Brunner D14/205
 D791,733 S * 7/2017 Brunner D14/205

D795,835 S 8/2017 Nagamine et al.
 D800,092 S 10/2017 Paterson et al.
 D800,691 S * 10/2017 Ando D14/205
 D806,685 S * 1/2018 Park D14/223
 D808,359 S * 1/2018 Meyer D14/205
 D811,364 S * 2/2018 Park D14/205
 D816,061 S * 4/2018 Ando D14/205
 D817,303 S * 5/2018 Tragatschnig D14/205
 D826,210 S * 8/2018 Chong D14/205
 D834,260 S * 11/2018 Garcia Mansilla D29/112
 D851,064 S * 6/2019 Wang D14/206
 D851,627 S * 6/2019 ter Laag D14/205
 D852,163 S * 6/2019 Nagamine D14/205
 D852,776 S * 7/2019 Zhu D14/205
 D852,777 S * 7/2019 Park D14/206
 D856,594 S * 8/2019 Wilson D29/112
 D870,696 S * 12/2019 Deng D14/206
 D870,698 S * 12/2019 Long D14/206
 D871,367 S * 12/2019 Zhijun D14/205
 D872,048 S * 1/2020 Dennis D14/205
 D876,392 S * 2/2020 Zhou D14/206
 10,667,029 B2 * 5/2020 Cochran H04R 1/1008
 D886,078 S * 6/2020 He D14/206
 D890,131 S * 7/2020 Shen D14/206
 2005/0238189 A1 * 10/2005 Tsai H04R 1/1075
 381/309
 2014/0013897 A1 * 1/2014 Clauss G05G 1/10
 74/553

* cited by examiner

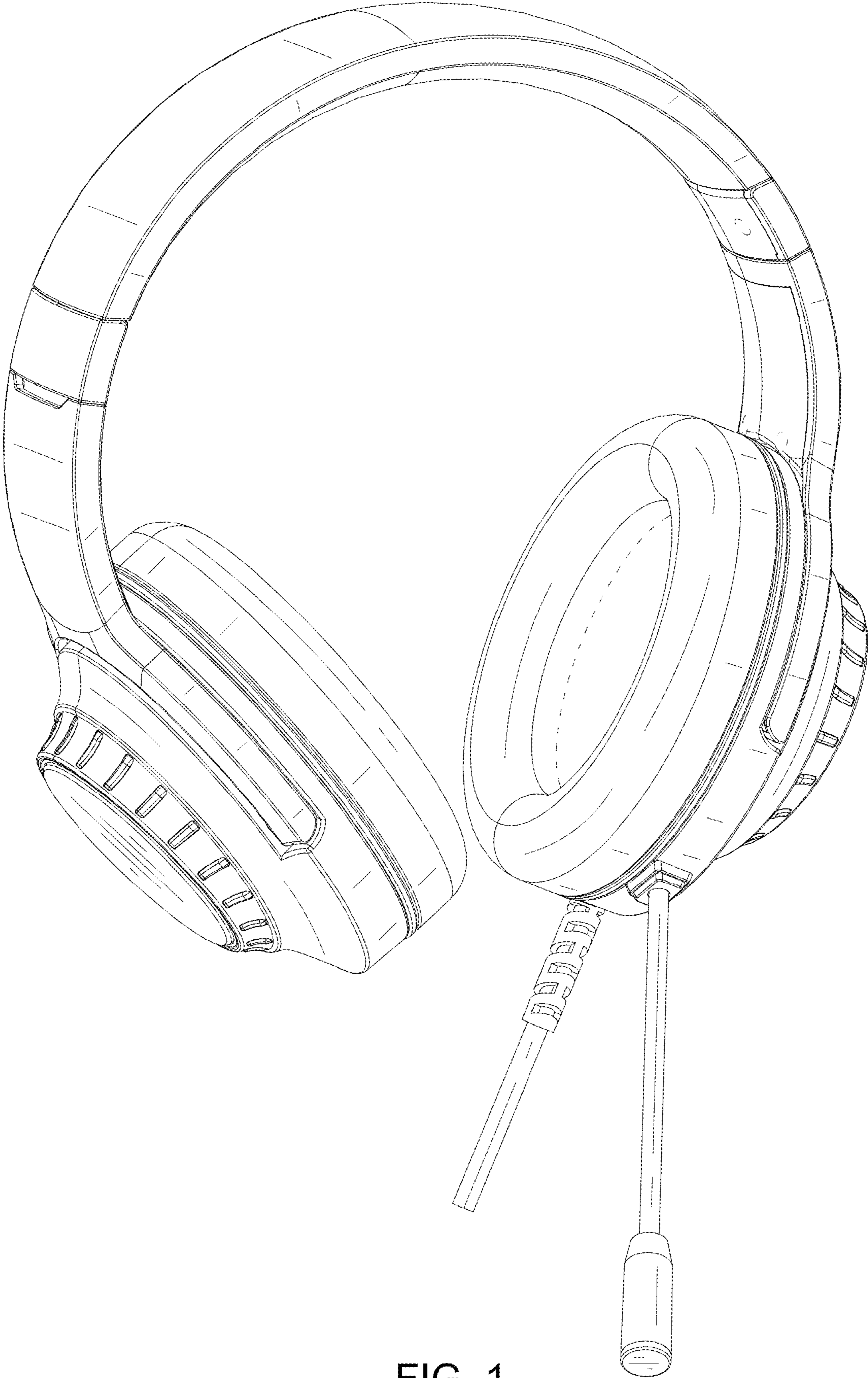


FIG. 1



FIG. 2

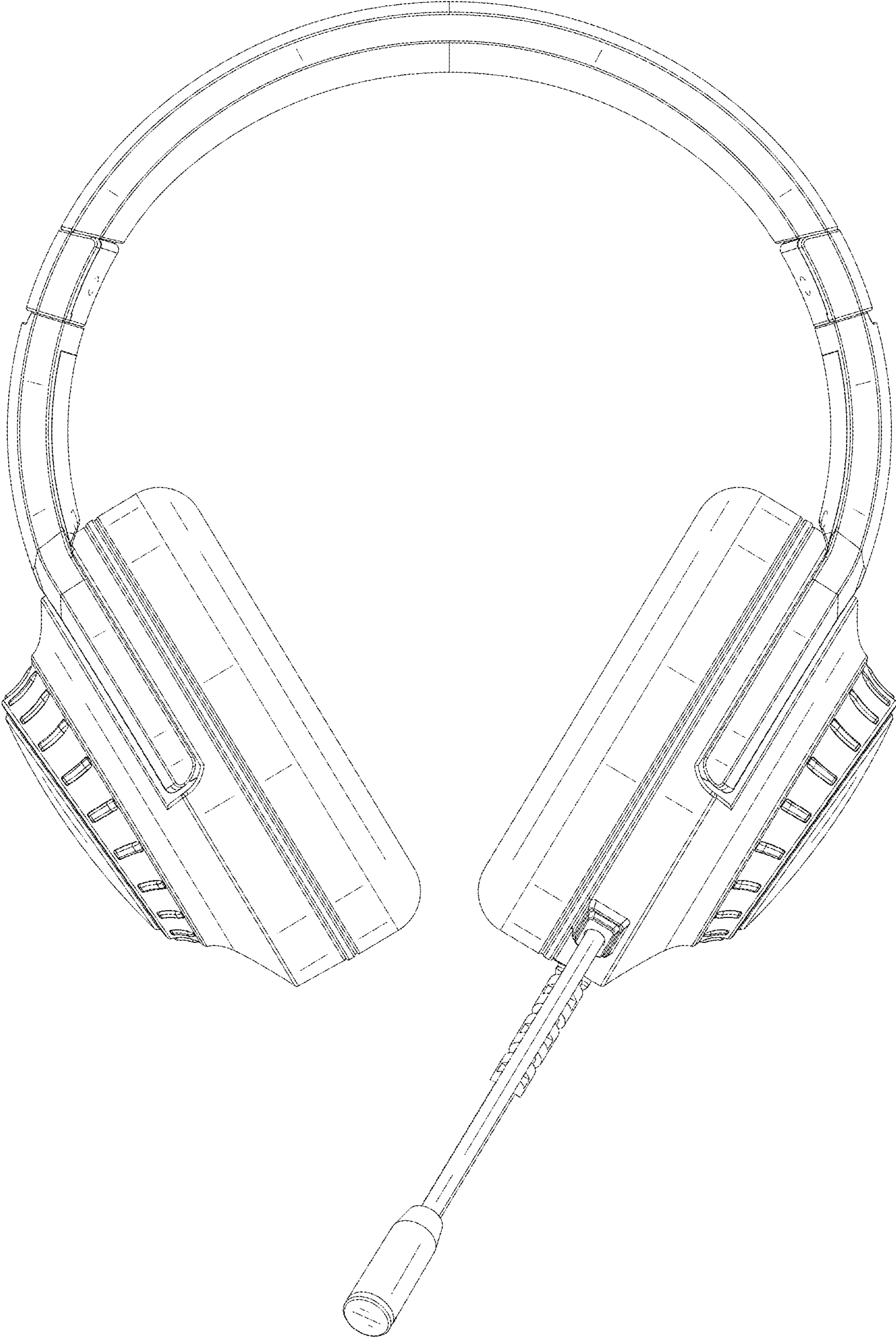


FIG. 3

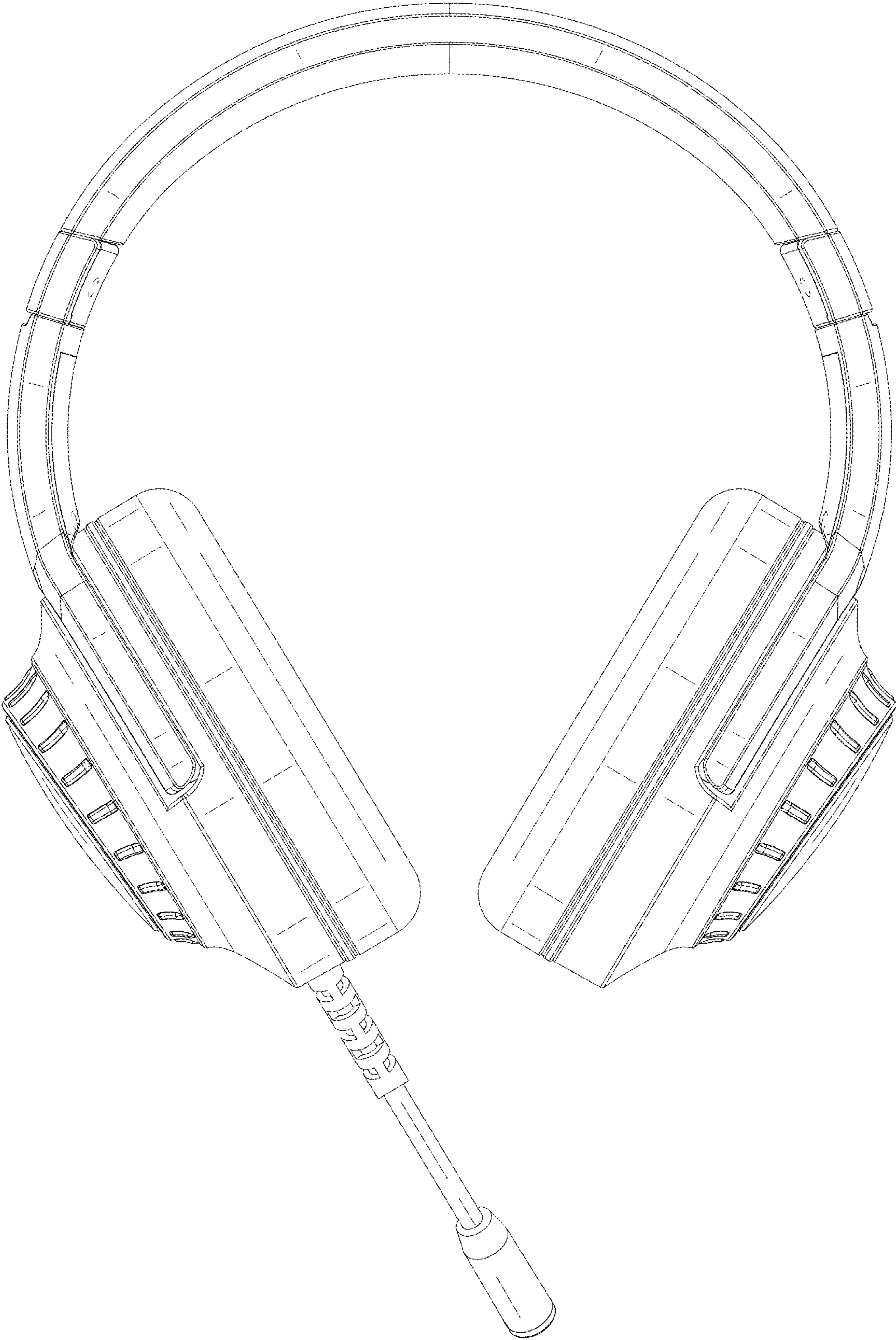


FIG. 4

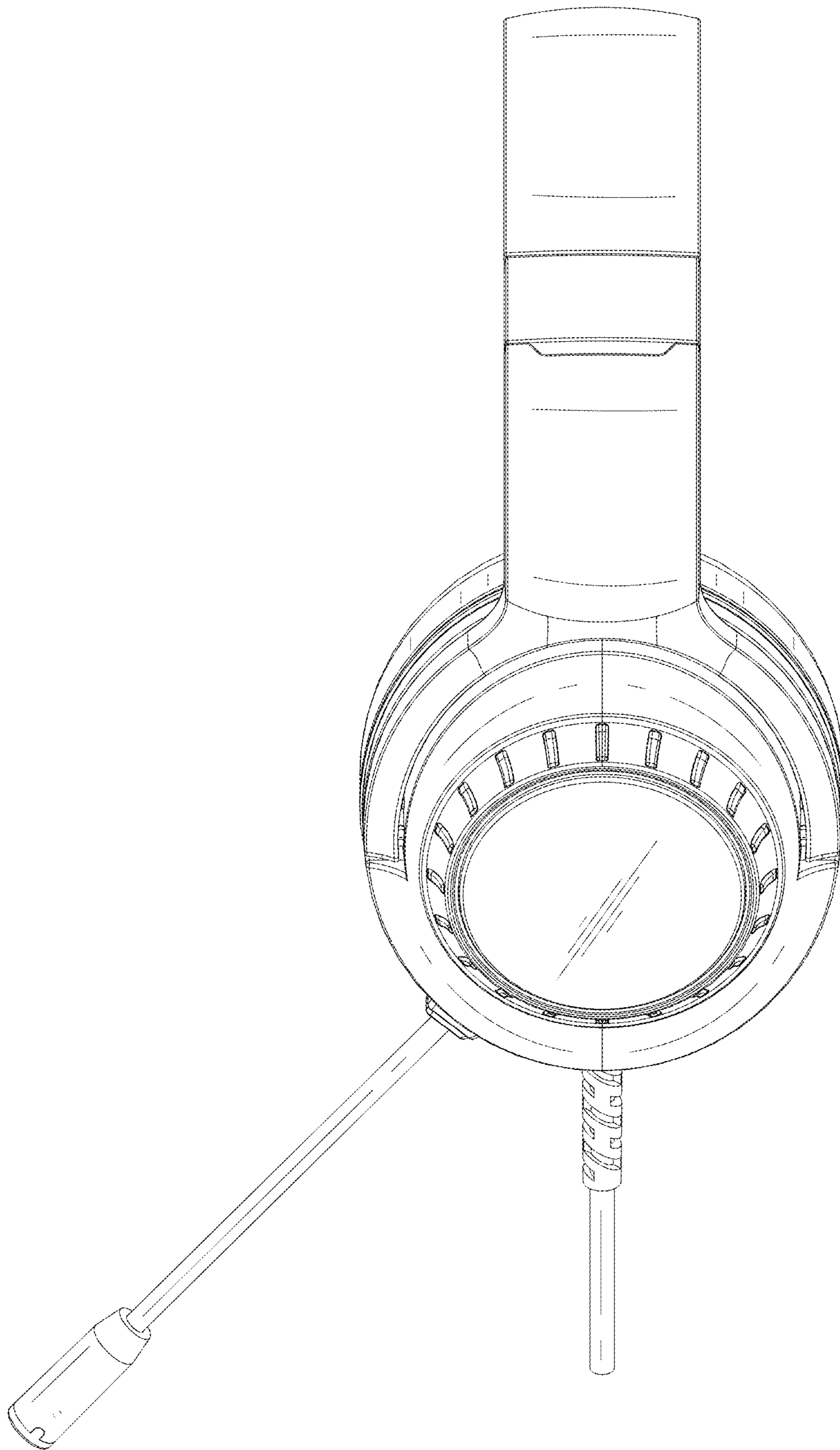


FIG. 5

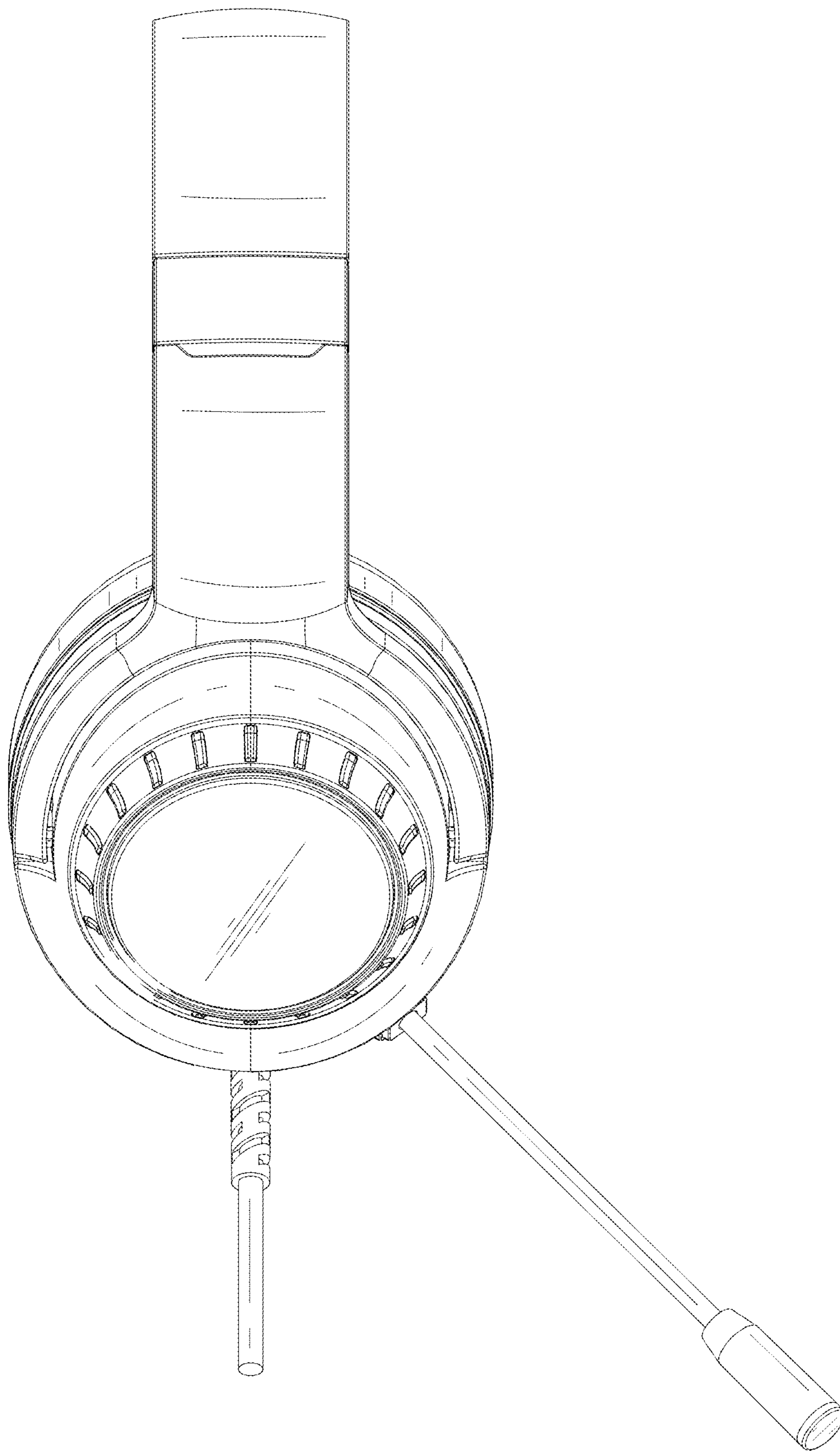


FIG. 6

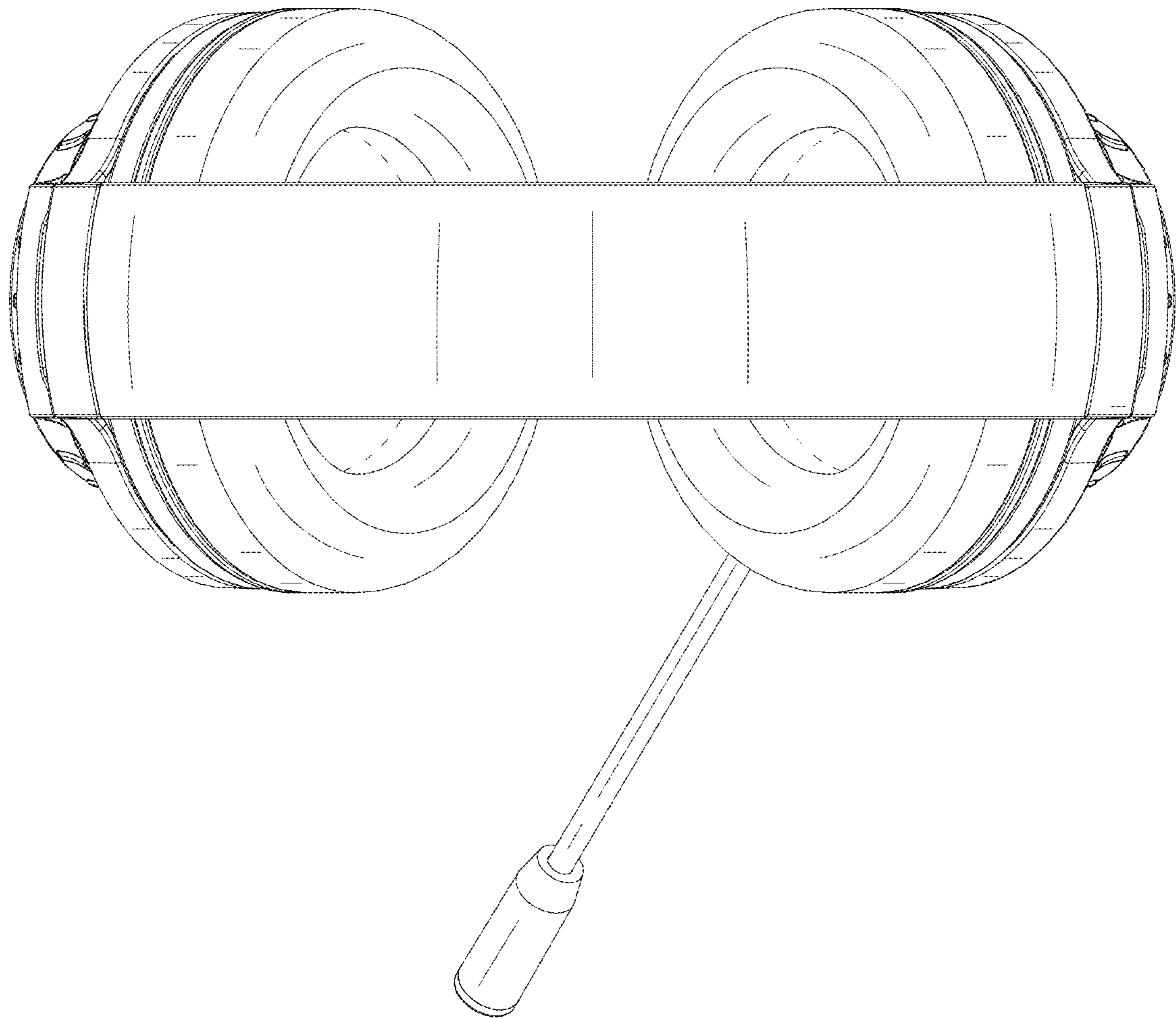


FIG. 7

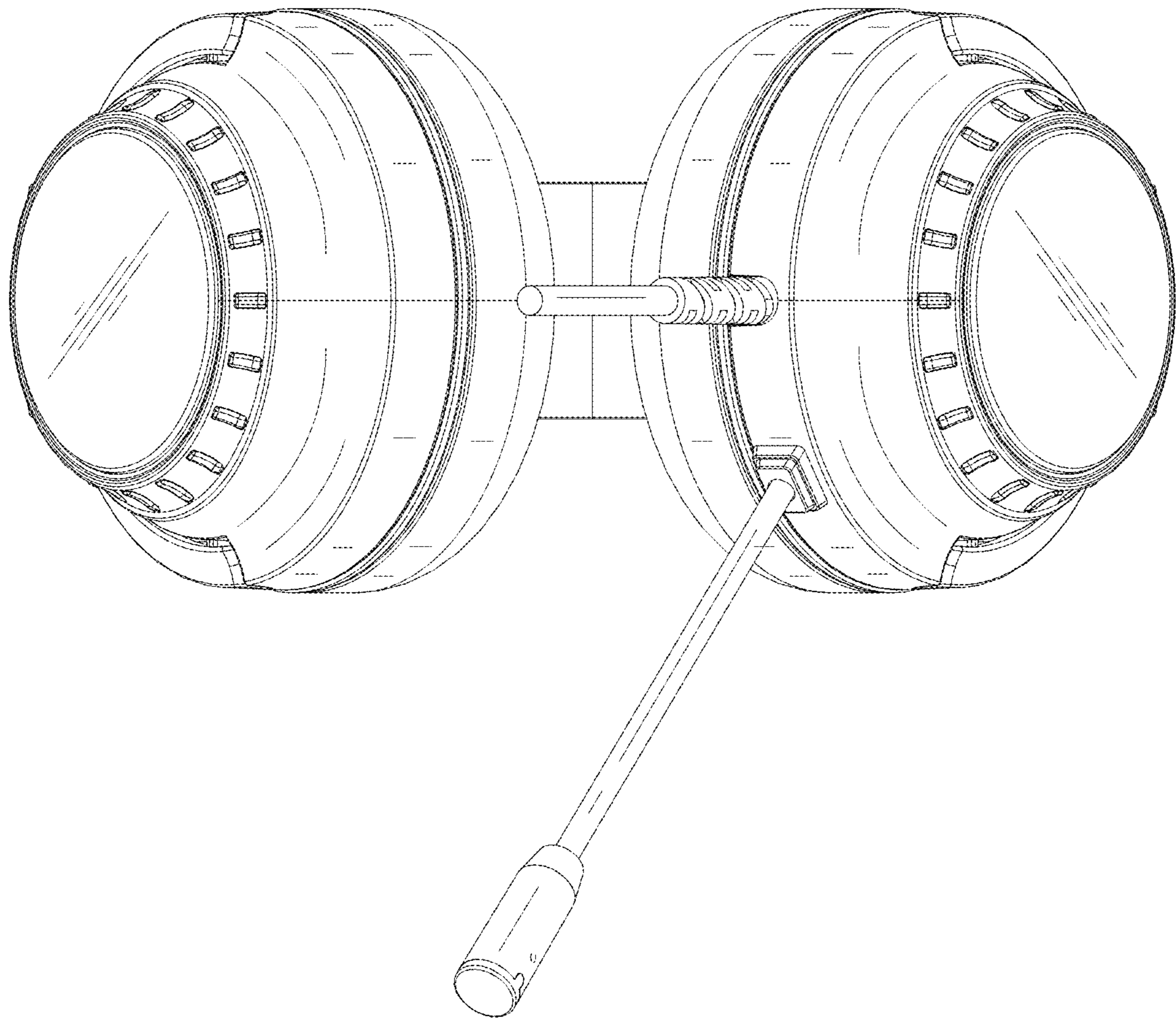


FIG. 8