



US00D914635S

(12) **United States Design Patent**
Tong

(10) **Patent No.:** **US D914,635 S**

(45) **Date of Patent:** **** Mar. 30, 2021**

(54) **HEADPHONE**

(71) Applicant: **RAZER (ASIA-PACIFIC) PTE. LTD.**,
Singapore (SG)

(72) Inventor: **Ien Yu Tong**, Singapore (SG)

(73) Assignee: **RAZER (ASIA-PACIFIC) PTE. LTD.**,
Singapore (SG)

(**) Term: **15 Years**

(21) Appl. No.: **29/707,477**

(22) Filed: **Sep. 27, 2019**

(51) **LOC (13) Cl.** **14-01**

(52) **U.S. Cl.**
USPC **D14/205**

(58) **Field of Classification Search**
USPC D14/205, 206, 225, 226, 188, 192, 223,
D14/433; D29/112; 2/209; 381/380,
381/381, 374; D21/617; 446/189;
455/90.3, 575.1, 569.1; D13/147
CPC H04R 25/00; H04R 25/02; H04R 1/1066;
H04R 1/1016; H04R 5/033; H04R
5/0335; H04R 19/04; H04R 1/02
See application file for complete search history.

(56) **References Cited**

U.S. PATENT DOCUMENTS

D166,603	S	*	4/1952	Hartman	D7/302
D180,052	S	*	4/1957	Young	D2/869
6,212,282	B1	*	4/2001	Mershon	H04R 1/1041
						381/311
D482,393	S	*	11/2003	Hui	D19/116
7,172,052	B2	*	2/2007	Lenhard-Backhaus	H04R 1/1066
						181/129
D643,065	S	*	8/2011	van der Lande	D19/142
D657,007	S	*	4/2012	O'Leary	D21/621
D717,764	S	*	11/2014	Lee	D14/205
D719,136	S	*	12/2014	Schaal	D14/206
D736,150	S	*	8/2015	Liu	D13/108

D757,679	S	*	5/2016	Yan	D14/205
D758,508	S	*	6/2016	Chuang	D21/630
D795,837	S	*	8/2017	Cai	D14/205
D801,948	S	*	11/2017	Picunko	D14/205

(Continued)

FOREIGN PATENT DOCUMENTS

CN			306149355	*	9/2019
EM			004669943-0001	*	1/2018

(Continued)

Primary Examiner — Paula Allen Greene

(74) *Attorney, Agent, or Firm* — Polsinelli PC

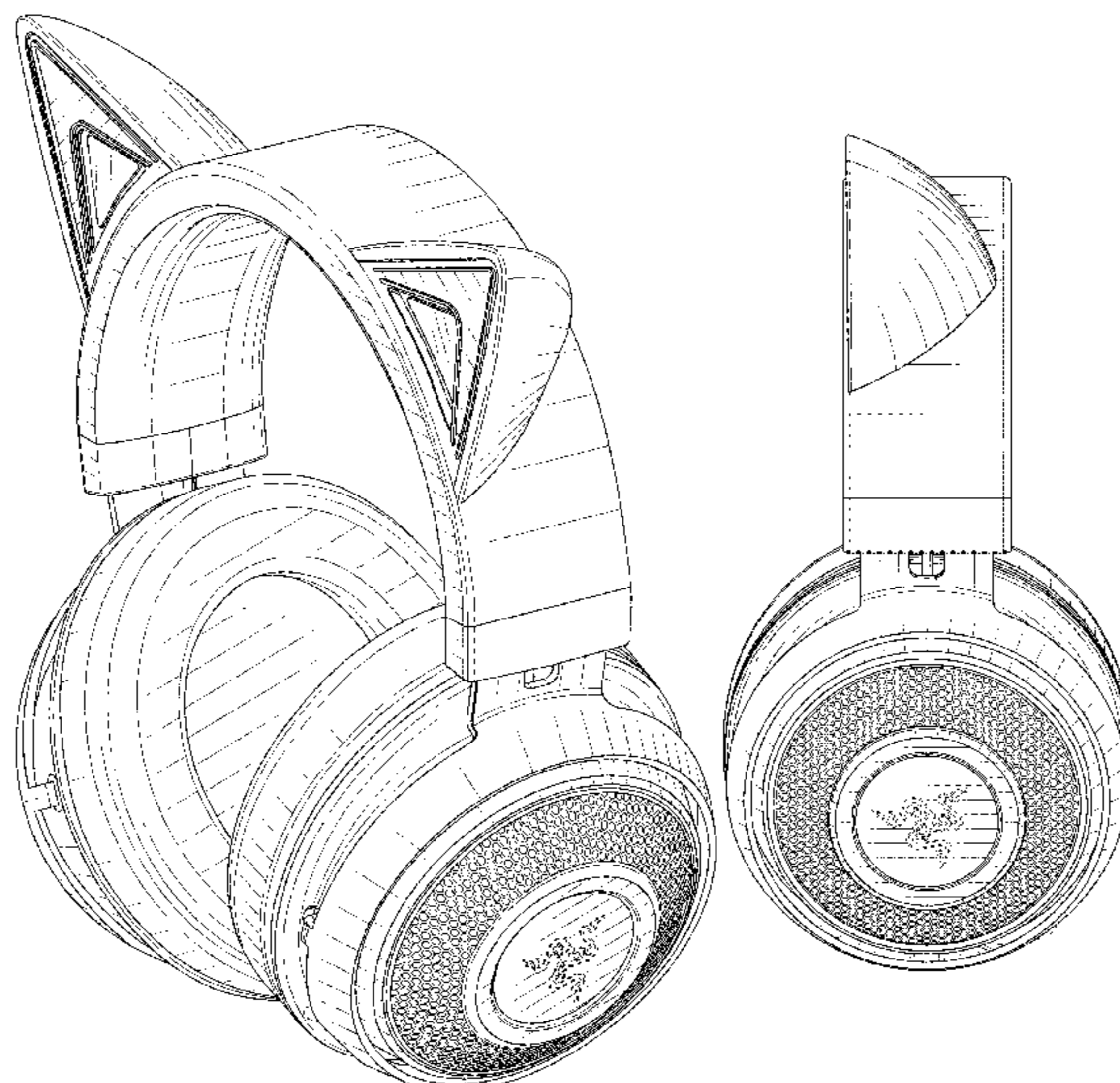
(57) **CLAIM**

I claim the ornamental design for a headphone, as shown and described.

DESCRIPTION

FIG. 1 is a perspective view of a first embodiment of a headphone, showing my new design;
 FIG. 2 is a front elevational view thereof;
 FIG. 3 is a rear elevational view thereof;
 FIG. 4 is a left side elevational view thereof;
 FIG. 5 is a right side elevational view thereof;
 FIG. 6 is a top plan view thereof; and
 FIG. 7 is a bottom plan view thereof.
 FIG. 8 is a perspective view of a second embodiment of a headphone;
 FIG. 9 is a front elevational view thereof;
 FIG. 10 is a rear elevational view thereof;
 FIG. 11 is a left side elevational view thereof;
 FIG. 12 is a right side elevational view thereof;
 FIG. 13 is a top plan view thereof; and,
 FIG. 14 is a bottom plan view thereof.
 Broken lines are for illustrating portions of the headphone which form no part of the claimed design.
 The stippling in FIGS. 8-14 represents a difference in color and/or material.

1 Claim, 12 Drawing Sheets



(56)

References Cited

U.S. PATENT DOCUMENTS

D805,055 S * 12/2017 Kelly D14/205
 D811,364 S * 2/2018 Park D14/205
 D811,365 S * 2/2018 Czaniecki D14/205
 D813,195 S * 3/2018 Huang D14/205
 D815,600 S * 4/2018 Matsuoka D13/147
 D817,303 S * 5/2018 Tragatschnig D14/205
 10,021,487 B2 * 7/2018 Yan H04R 5/0335
 D826,210 S * 8/2018 Chong D14/205
 D828,326 S * 9/2018 Ye D14/205
 D834,260 S * 11/2018 Garcia Mansilla D29/112
 D840,370 S * 2/2019 Kelly D14/205
 D851,625 S * 6/2019 Mackiewicz D14/205
 D851,627 S * 6/2019 ter Laag D14/205
 D852,777 S * 7/2019 Park D14/206
 D854,513 S * 7/2019 Miyake D14/205
 D863,253 S * 10/2019 He D14/205
 D864,963 S * 10/2019 Luo D14/433
 D868,026 S * 11/2019 Hardi D14/205
 D869,433 S * 12/2019 Huan D14/205
 D869,437 S * 12/2019 Hu D14/205
 D871,367 S * 12/2019 Zhijun D14/205
 D879,066 S * 3/2020 Chen D14/205

D879,741 S * 3/2020 Hu D14/205
 D879,742 S * 3/2020 Hu D14/205
 D883,252 S * 5/2020 Tong D14/205
 D884,669 S * 5/2020 Zhong D14/205
 D887,391 S * 6/2020 Chong D14/205
 D890,124 S * 7/2020 ShiXing D14/205
 D896,203 S * 9/2020 Tong D14/206
 2004/0204177 A1 * 10/2004 Pon H04B 1/3883
 455/573
 2004/0213428 A1 * 10/2004 Lenhard-Backhaus
 H04R 1/1066
 381/370
 2010/0177907 A1 * 7/2010 Morisawa H04R 5/0335
 381/74
 2016/0088383 A1 * 3/2016 Yan H04R 5/0335
 381/378
 2016/0322756 A1 * 11/2016 Tsai H01R 24/60

FOREIGN PATENT DOCUMENTS

EM 006929642-0001 * 9/2019
 EM 007224365-0002 * 11/2019
 EM 007685730-0001 * 2/2020
 EM 008160840-0001 * 9/2020

* cited by examiner

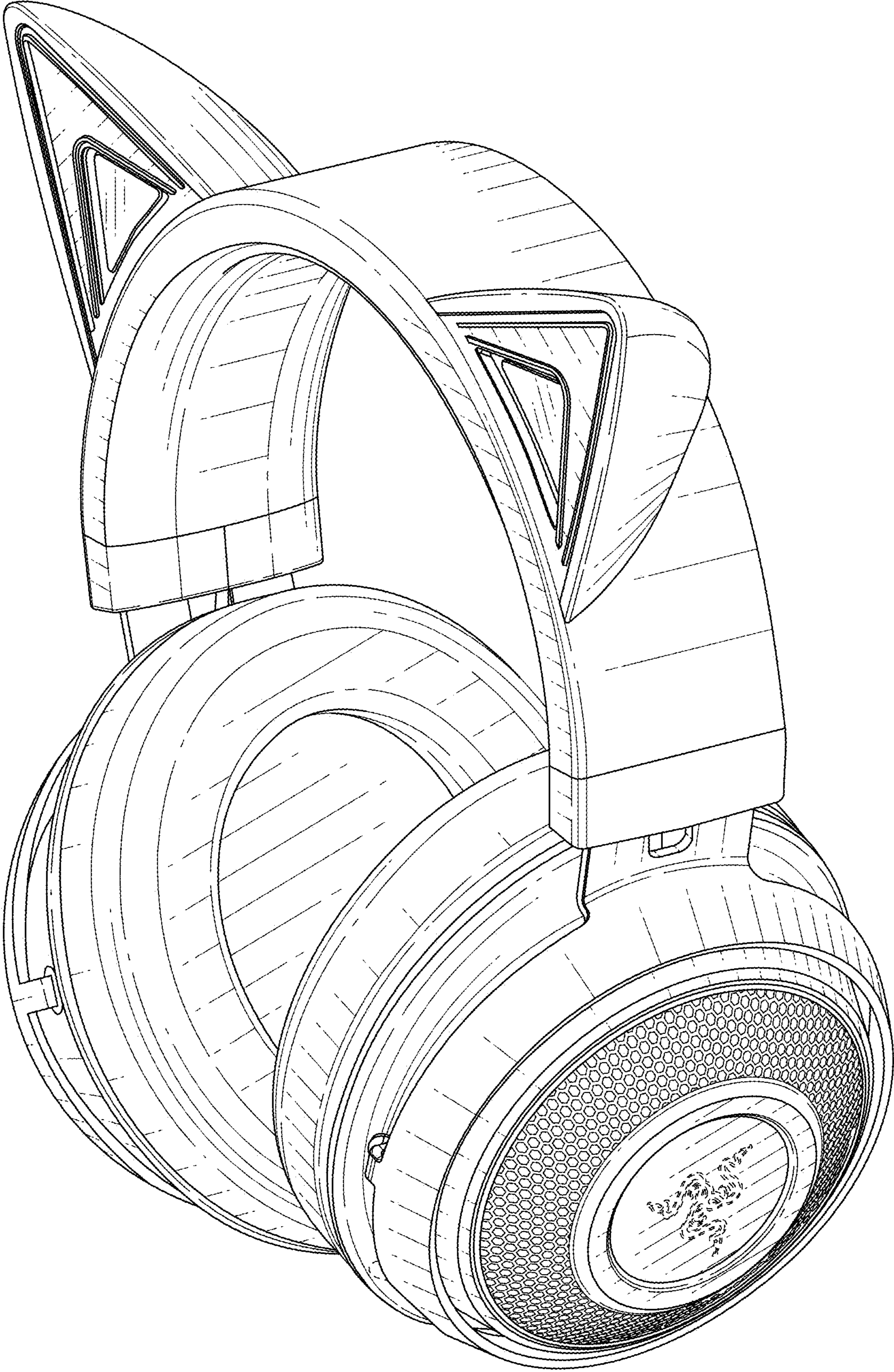


FIG. 1

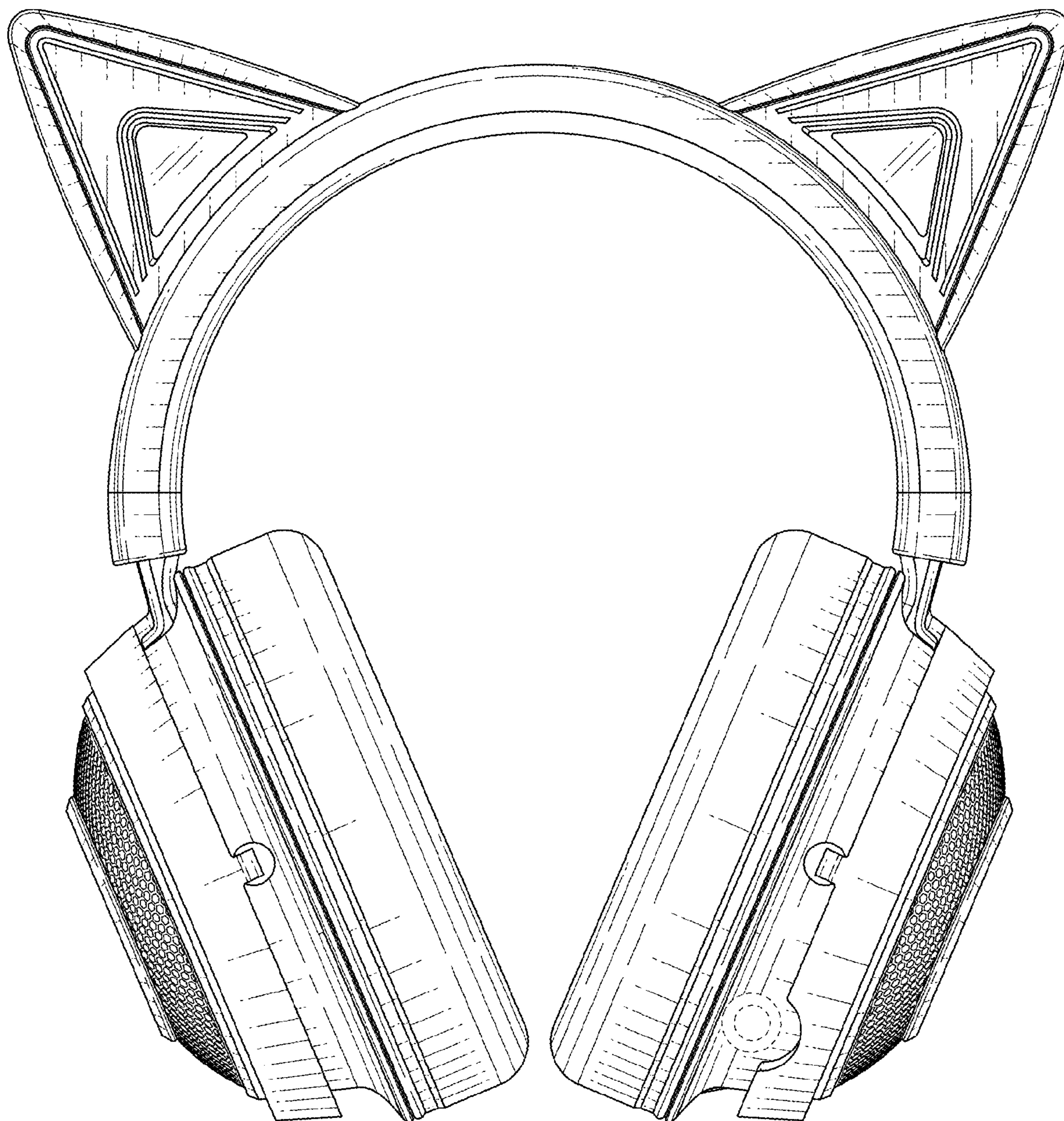


FIG. 2

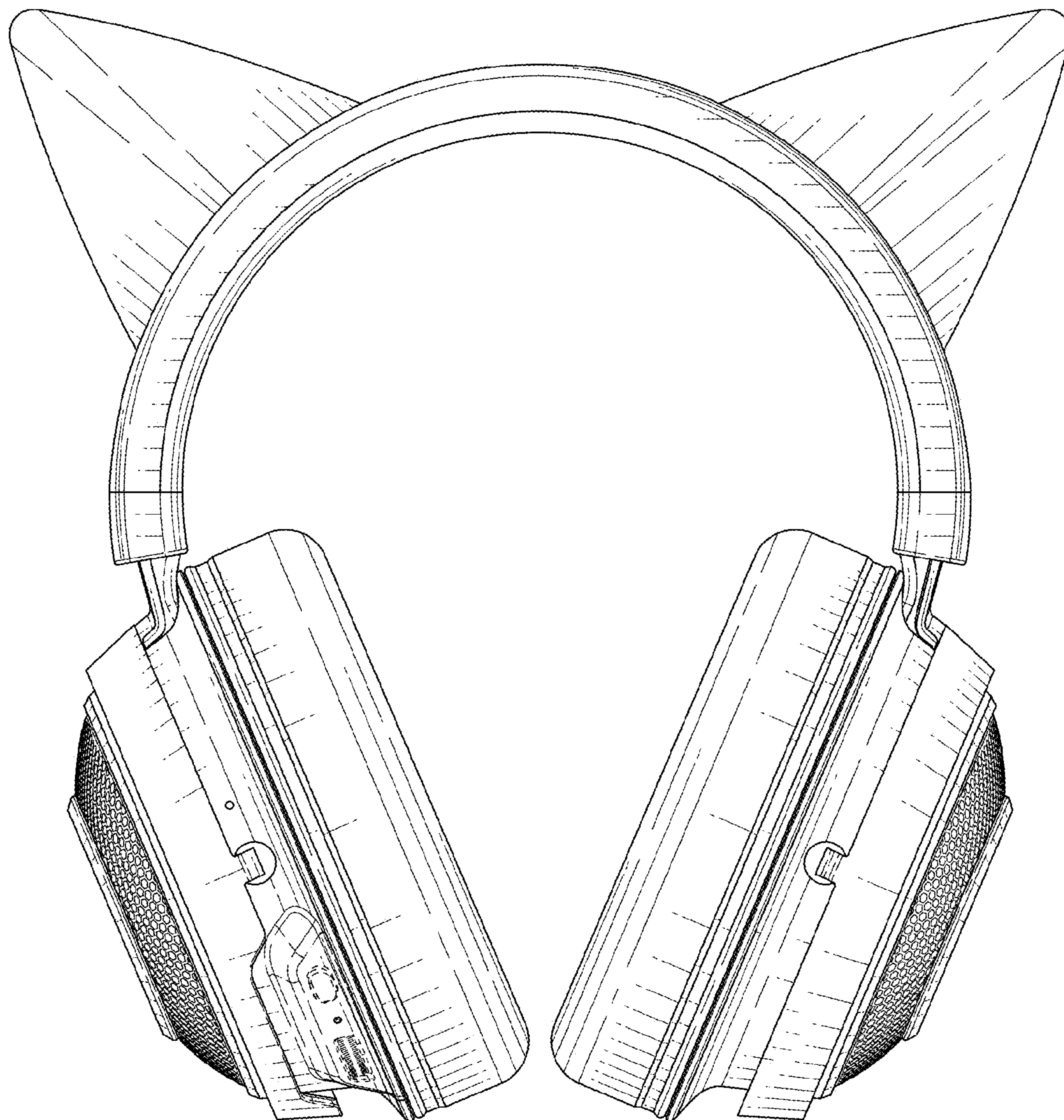


FIG. 3

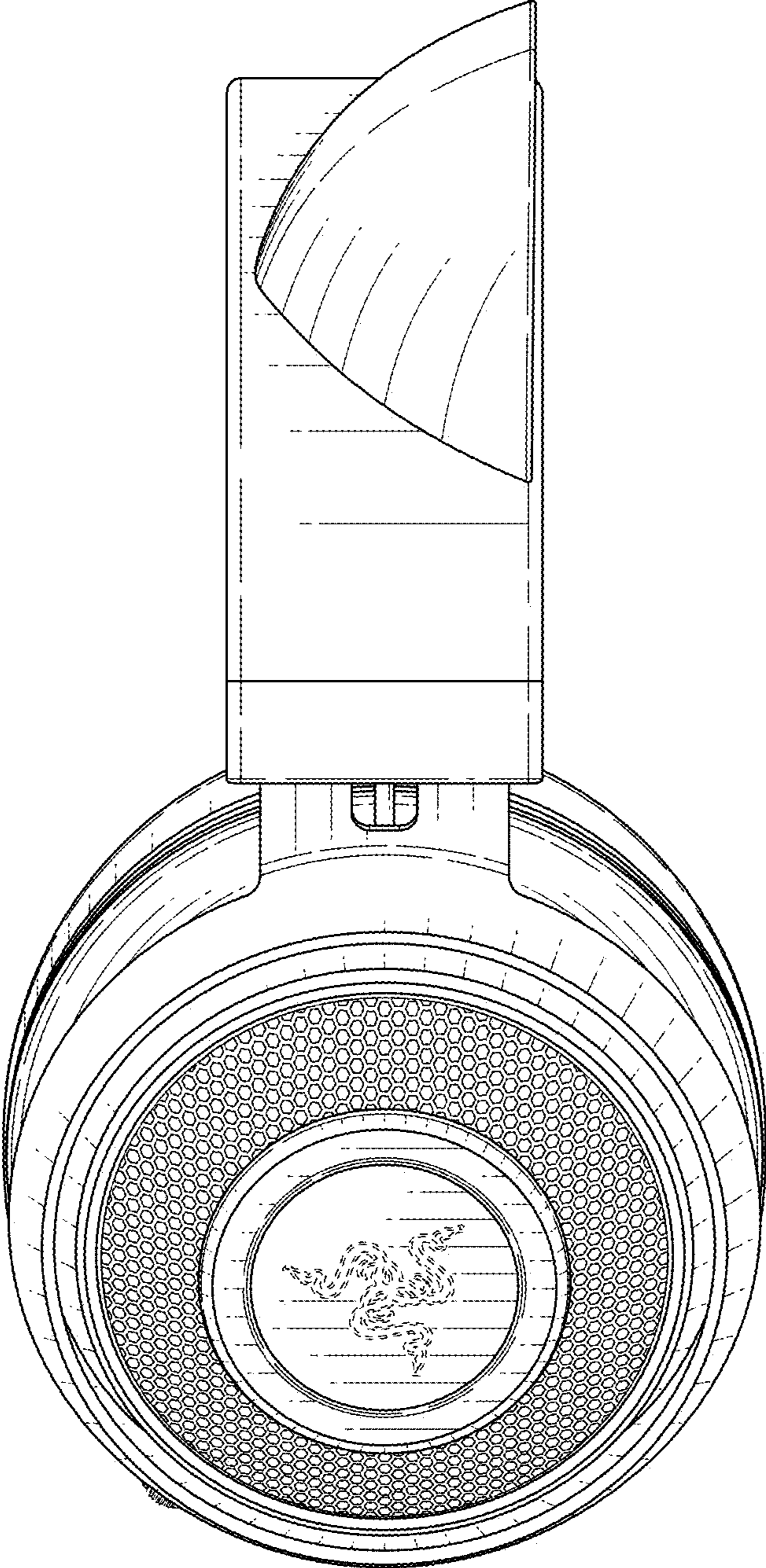


FIG. 4

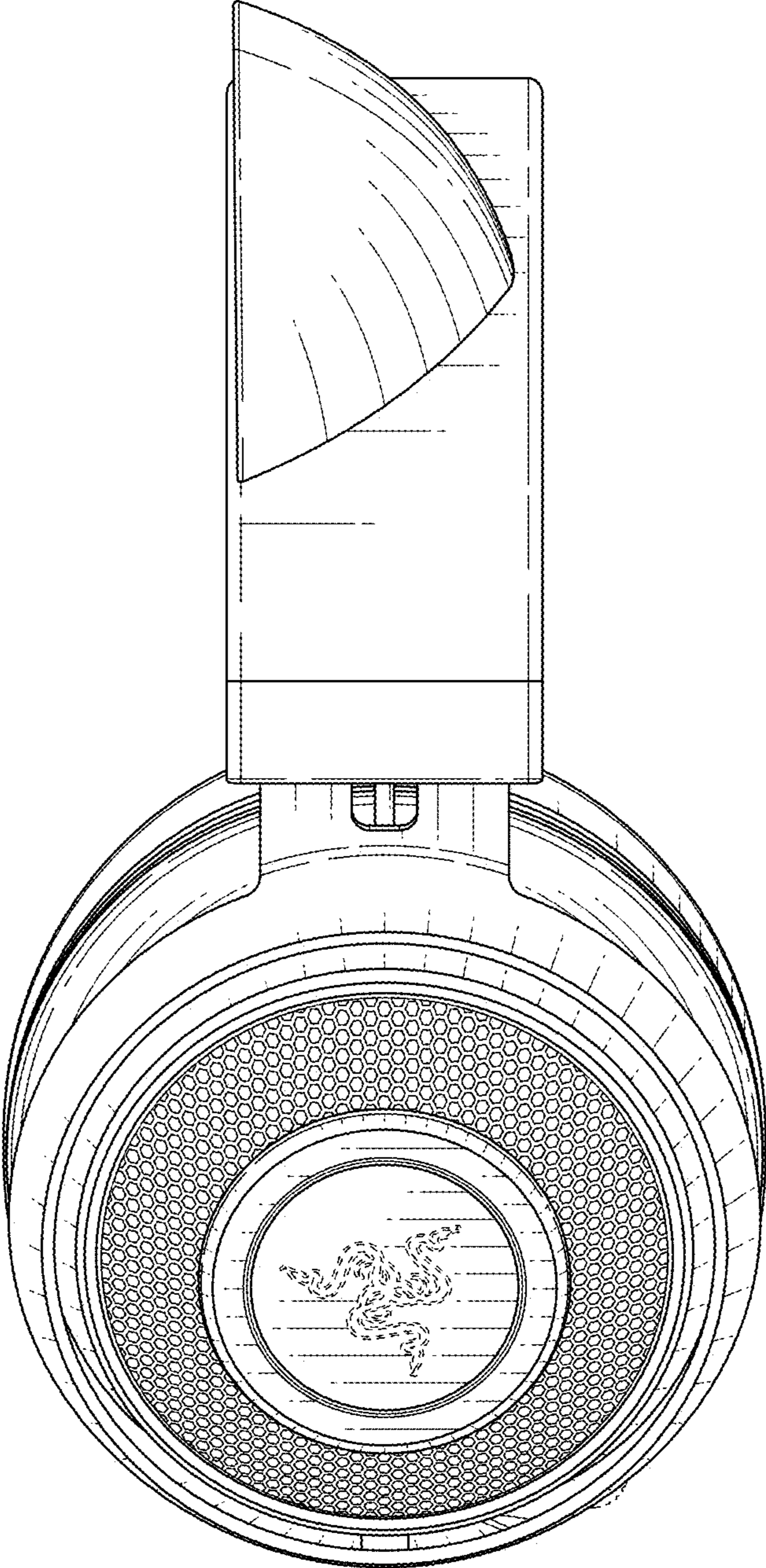


FIG. 5

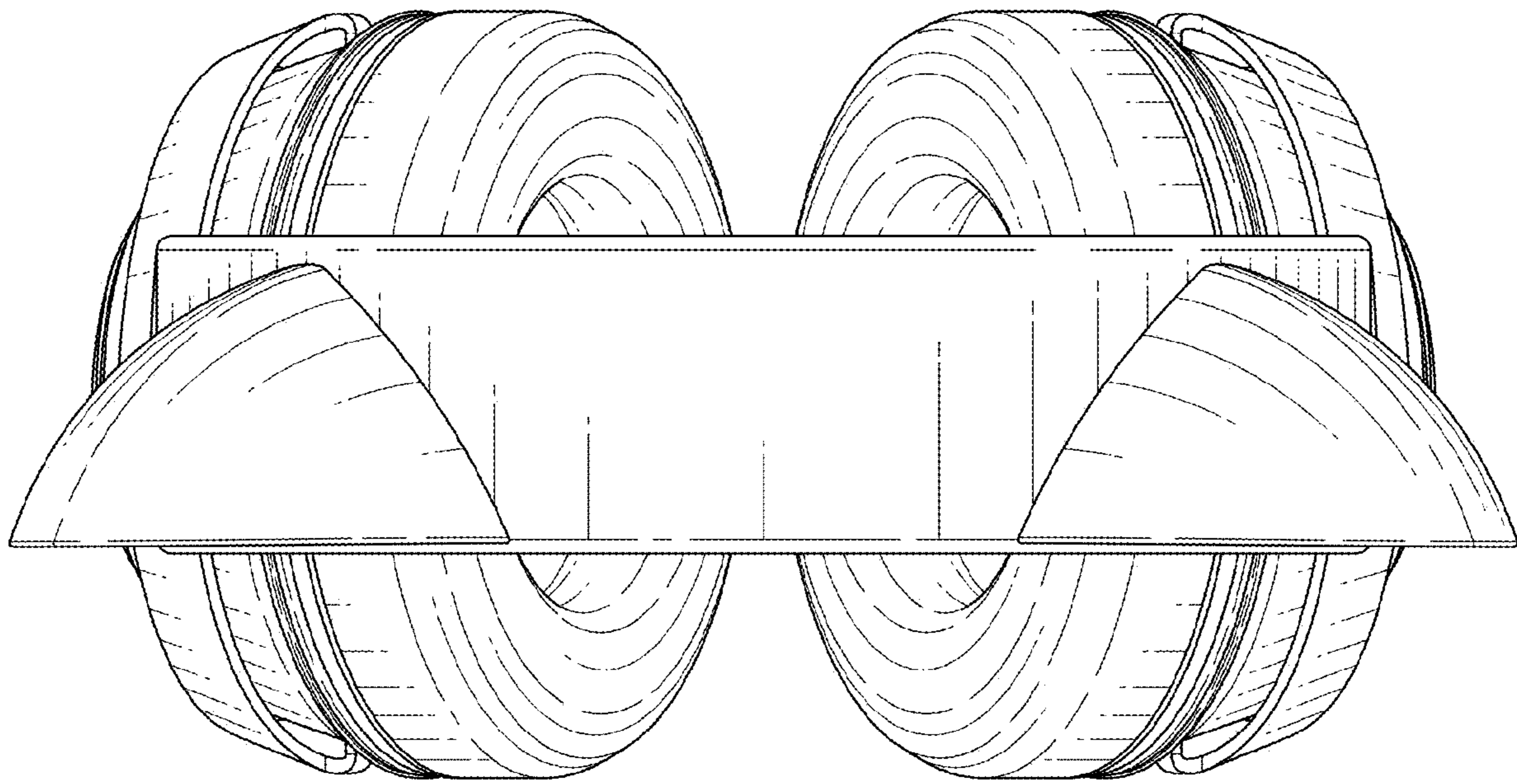


FIG. 6

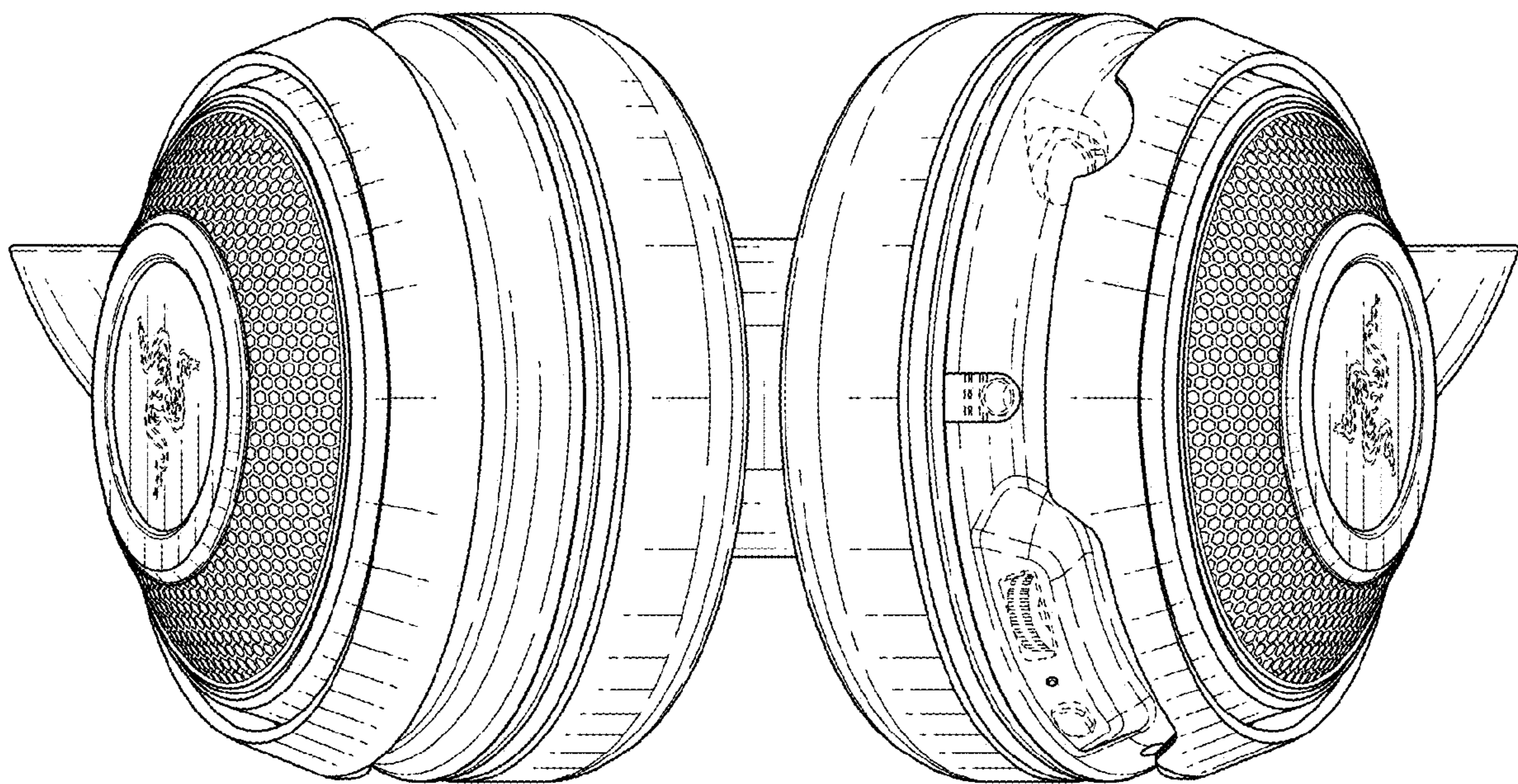


FIG. 7

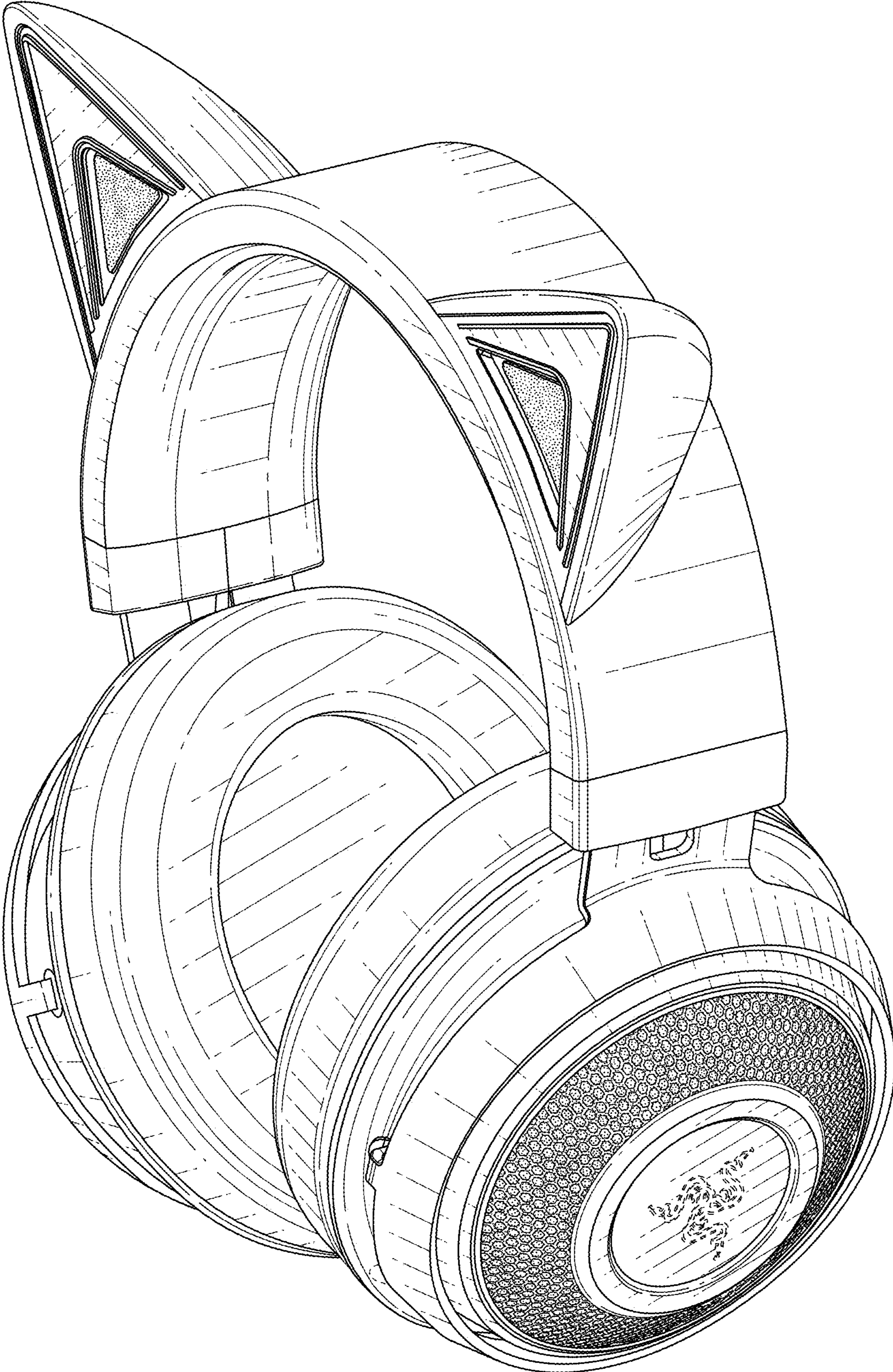


FIG. 8

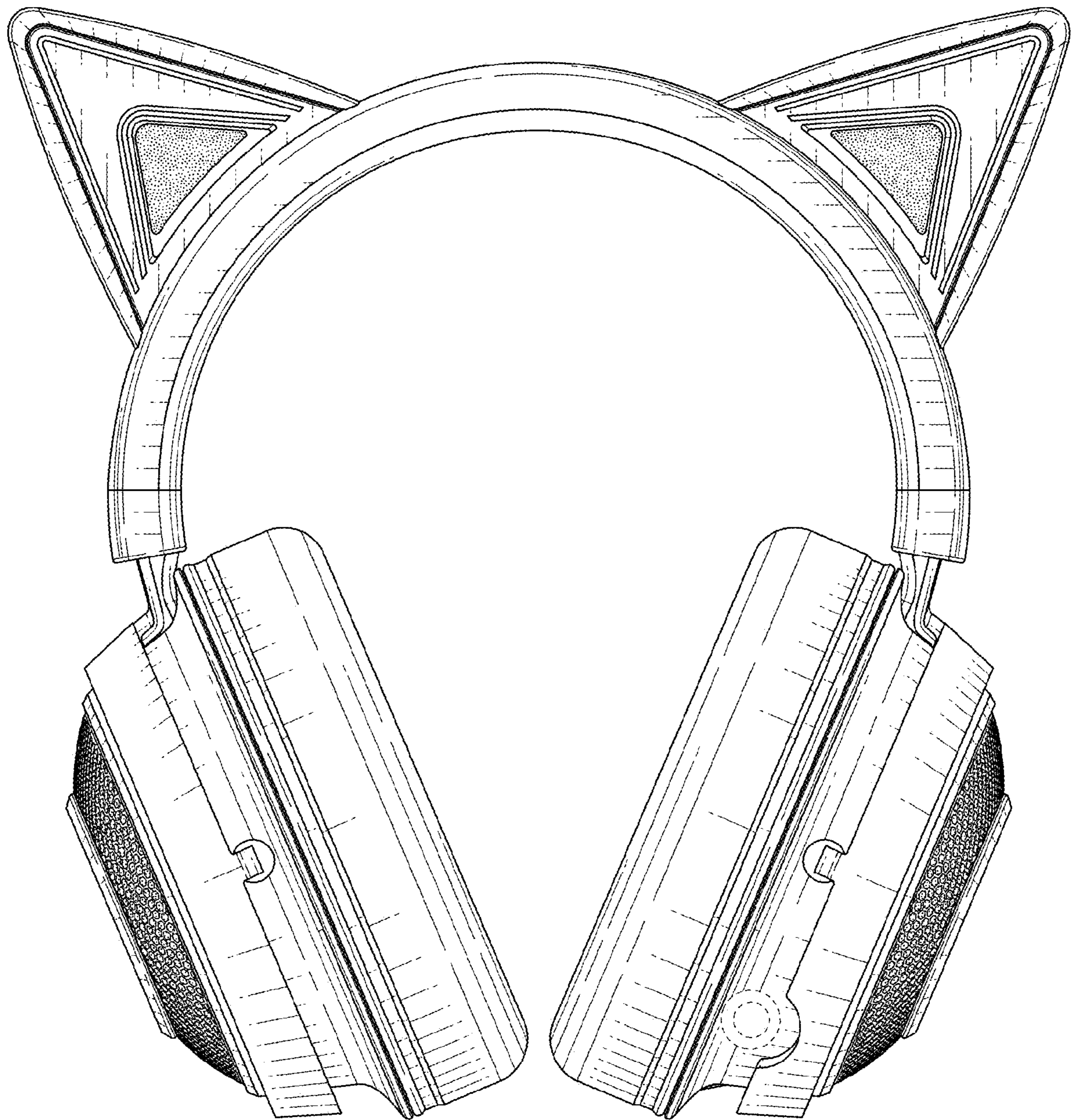


FIG. 9

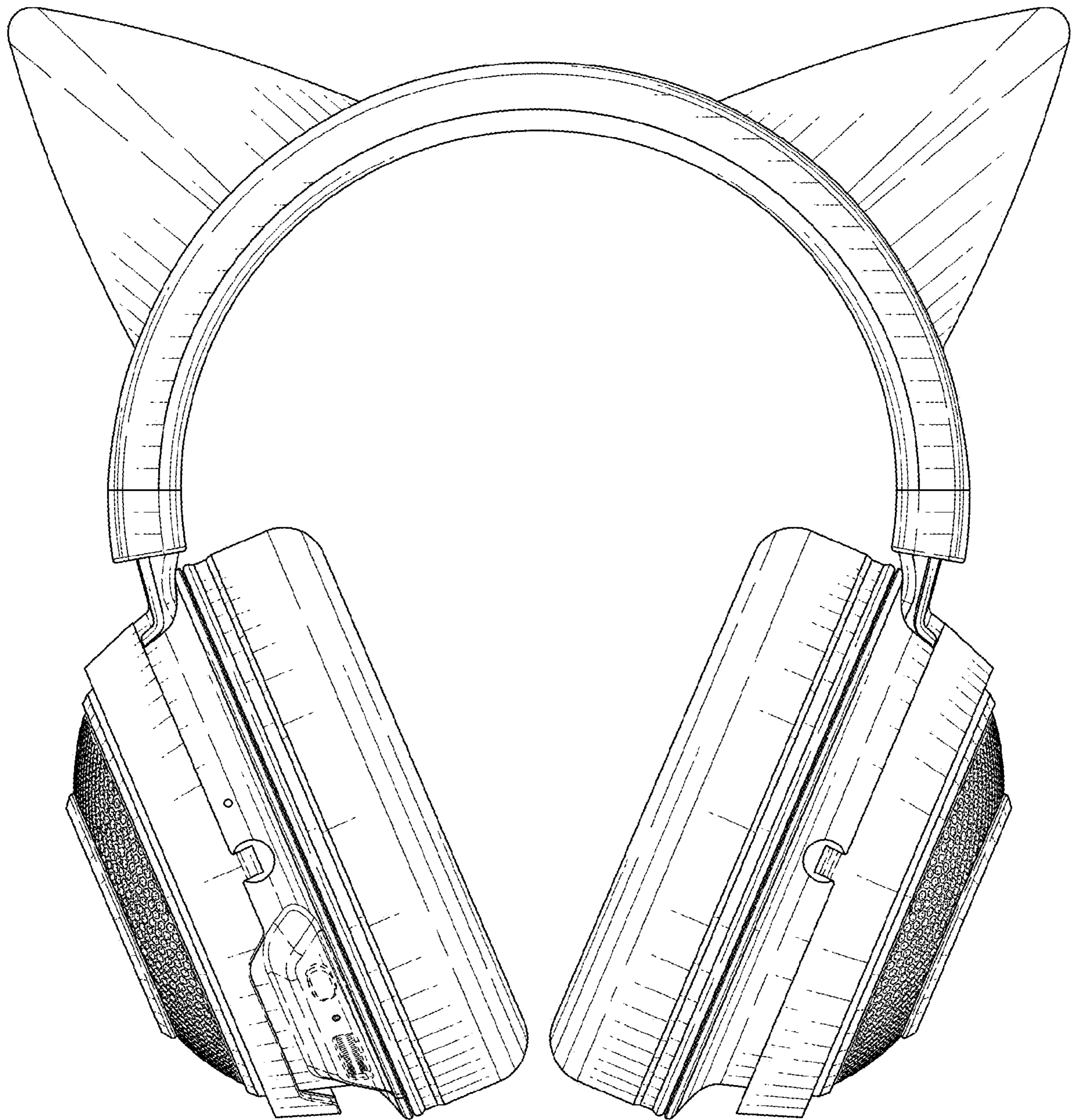


FIG. 10

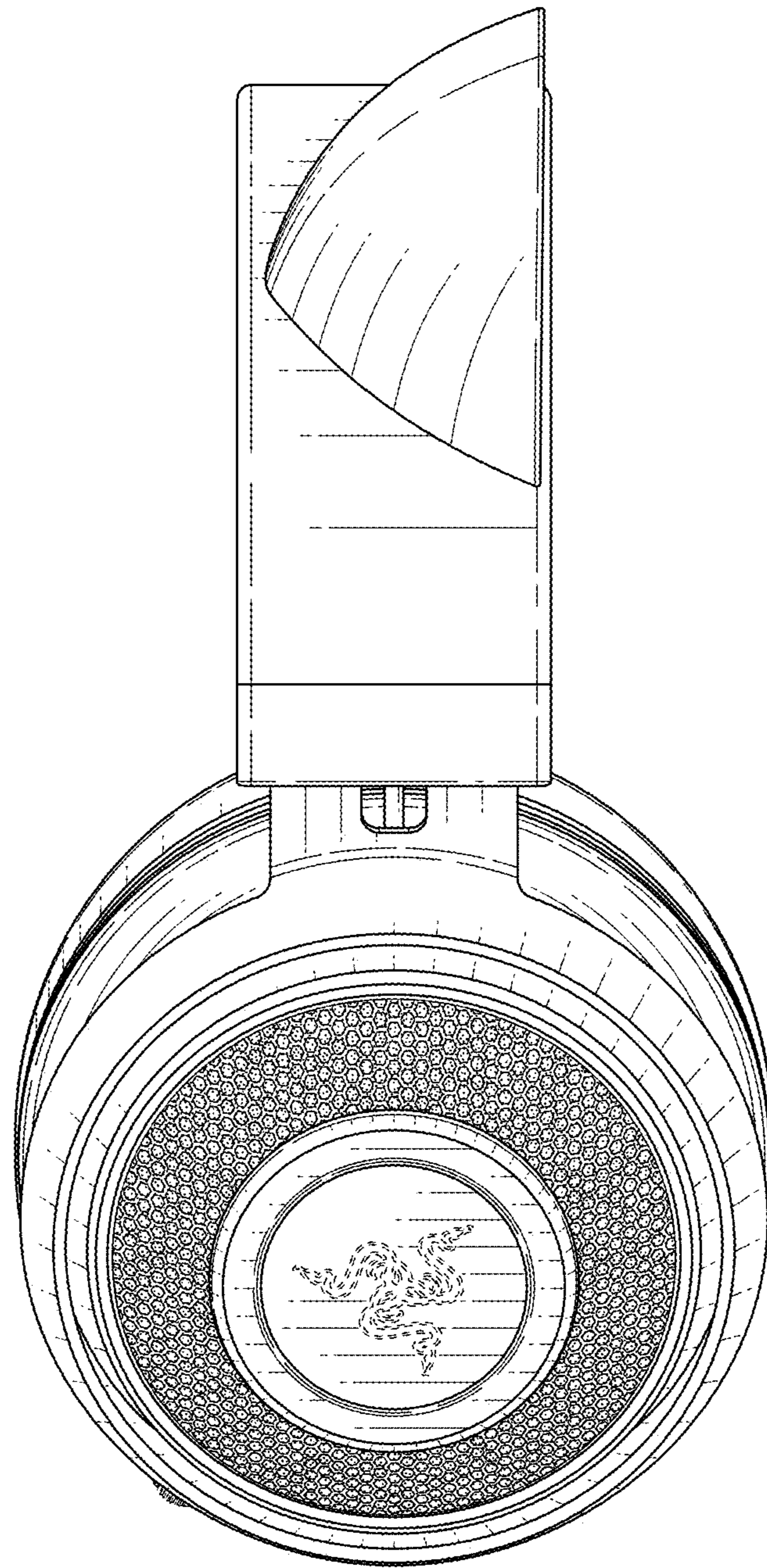


FIG. 11

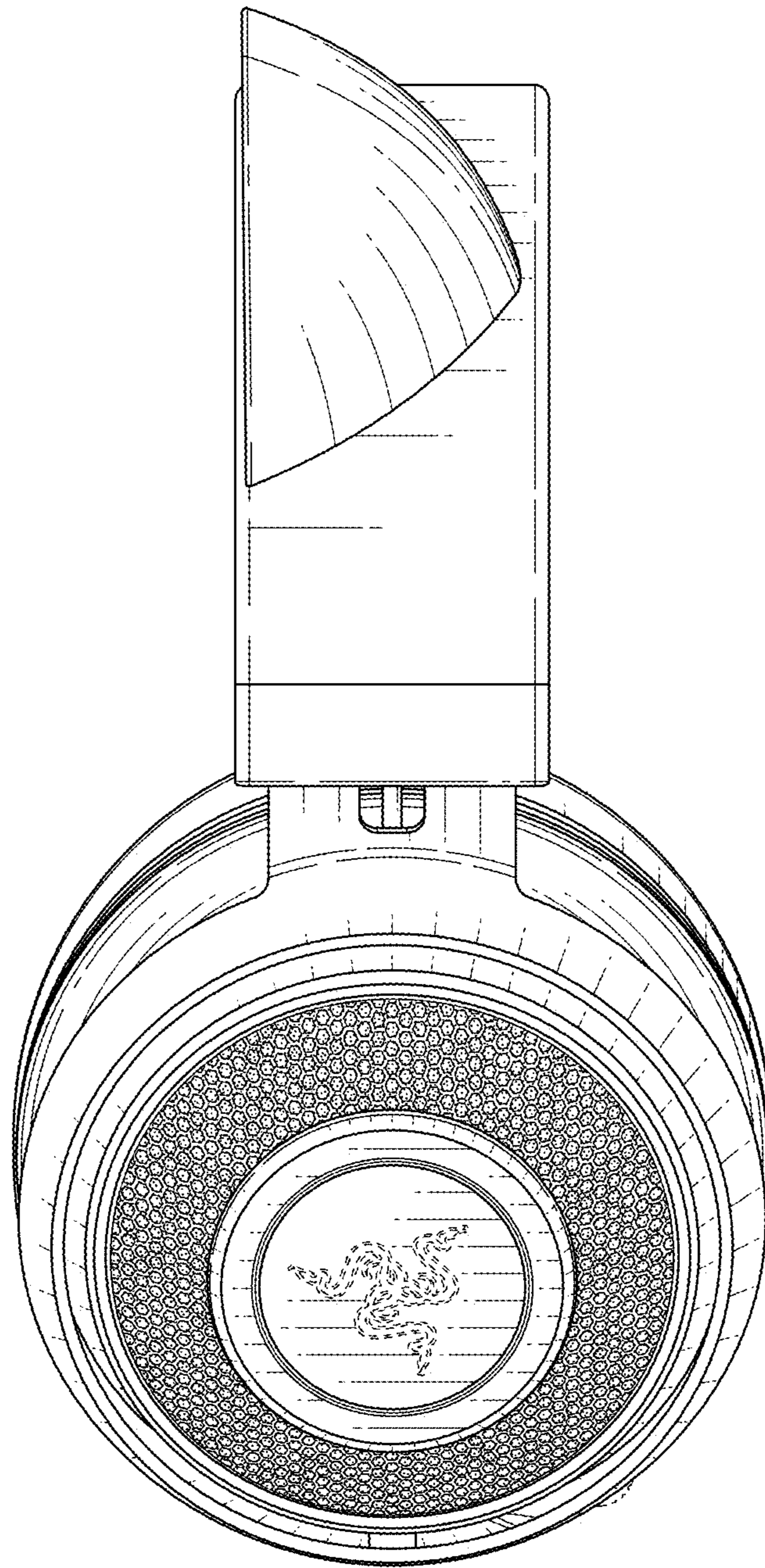


FIG. 12

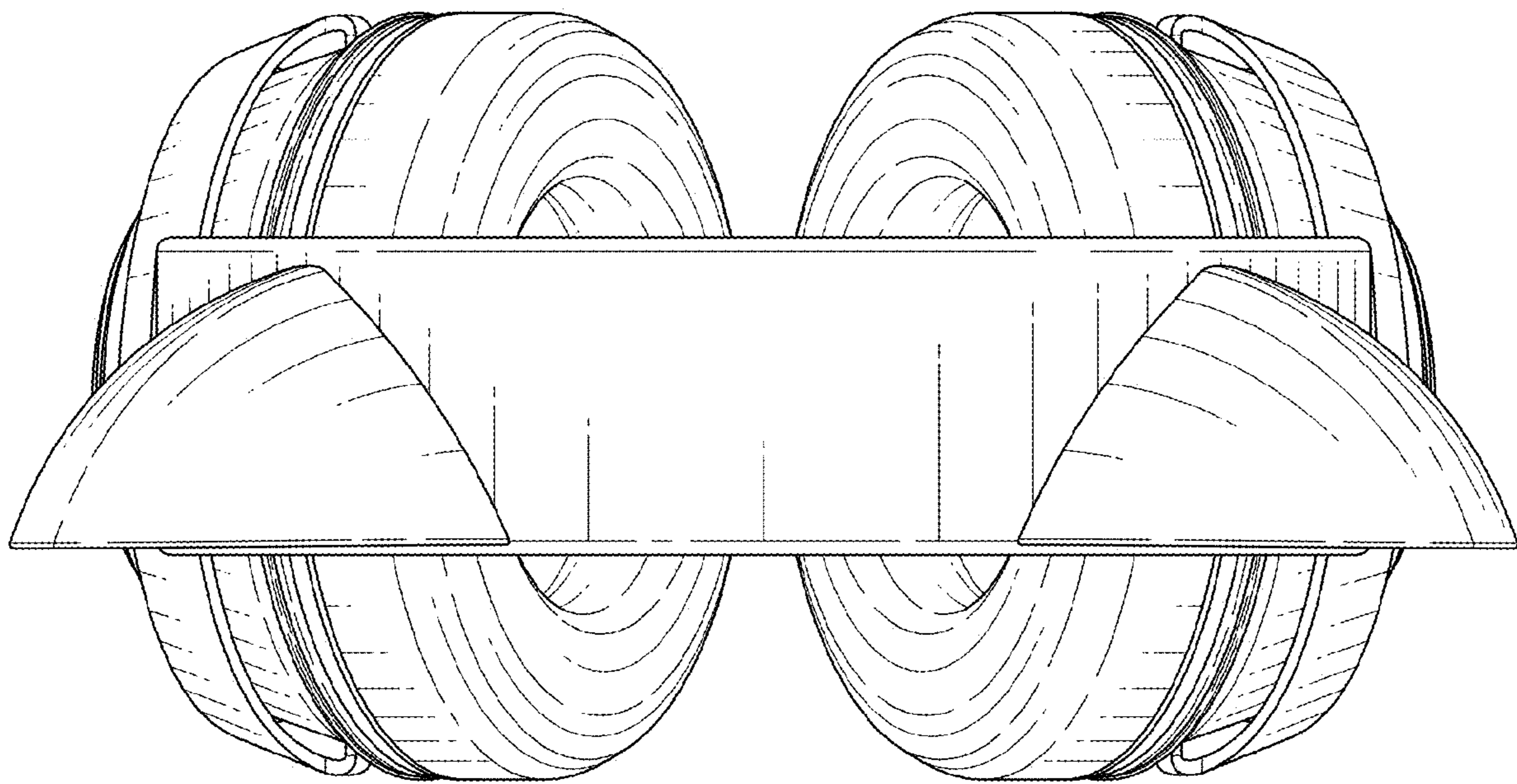


FIG. 13

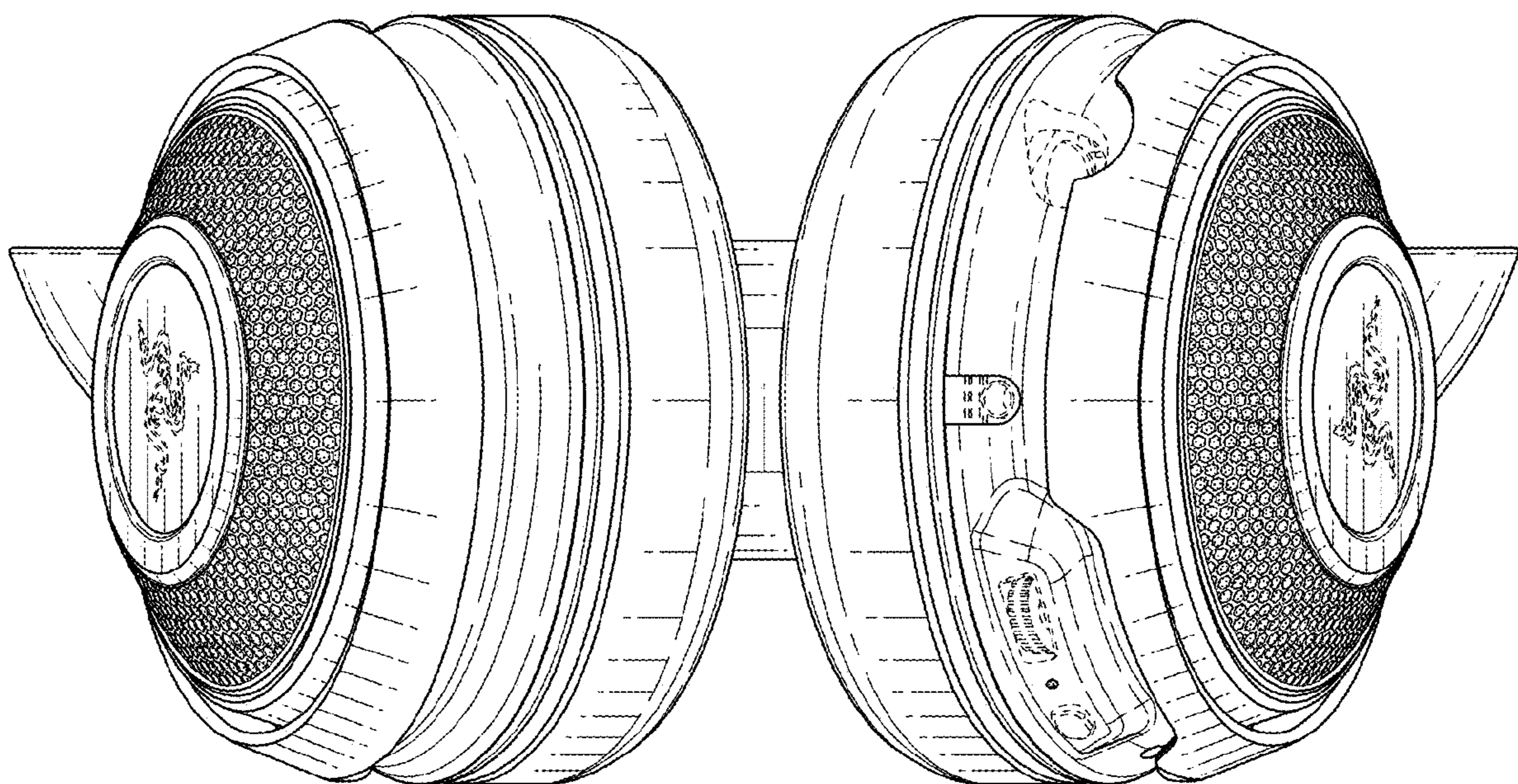


FIG. 14