



US00D914630S

(12) **United States Design Patent**
Li et al.

(10) **Patent No.: US D914,630 S**
(45) **Date of Patent: ** Mar. 30, 2021**

(54) **WALKIE-TALKIE**
(71) Applicant: **BEIJING XIAOMI MOBILE SOFTWARE CO., LTD.,** Beijing (CN)
(72) Inventors: **Kaiwen Li,** Beijing (CN); **Yanlin Xiao,** Beijing (CN)
(73) Assignee: **BEIJING XIAOMI MOBILE SOFTWARE CO., LTD.,** Beijing (CN)

D322,251 S * 12/1991 Siddoway D14/137
D379,809 S * 6/1997 Lindeman D14/137
D383,130 S * 9/1997 Waldner D14/138 AA
D398,005 S * 9/1998 Lee D14/138 AA
6,680,676 B1 * 1/2004 Hayashi H04M 1/23
341/22

(Continued)

FOREIGN PATENT DOCUMENTS

GB 2280322 A * 1/1995 H01Q 1/244

(**) Term: **15 Years**
(21) Appl. No.: **35/507,246**
(22) Filed: **Sep. 28, 2018**
(80) **Hague Agreement Data**
Int. Filing Date: **Sep. 28, 2018**
Int. Reg. No.: **DM/202223**
Int. Reg. Date: **Sep. 28, 2018**
Int. Reg. Pub. Date: **Aug. 16, 2019**

OTHER PUBLICATIONS

Li et al., CN Design No. 304232381, published at Orbit, publication date Aug. 4, 2017. Site visited May 3, 2020. Available from Internet. (Year: 2017).*
Zhou et al., CN Design No. 305307438, published at Orbit, publication date Aug. 16, 2019. Site visited May 3, 2020. Available from Internet. (Year: 2019).*

(Continued)

Primary Examiner — Kathleen L Jones
(74) *Attorney, Agent, or Firm* — Dickinson Wright PLLC

(30) **Foreign Application Priority Data**
Mar. 28, 2018 (CN) 201830118793.6
(51) **LOC (13) Cl.** **14-03**
(52) **U.S. Cl.**
USPC **D14/137**
(58) **Field of Classification Search**
USPC D14/137, 138 AA, 159, 138 R, 138 AD,
D14/203.5, 203.7, 147-148
CPC .. H04B 1/3833; H04B 1/3827; H04B 1/3855;
H04B 2001/3861; H04M 1/0202; H04M
1/03; H04M 1/035
See application file for complete search history.

CLAIM

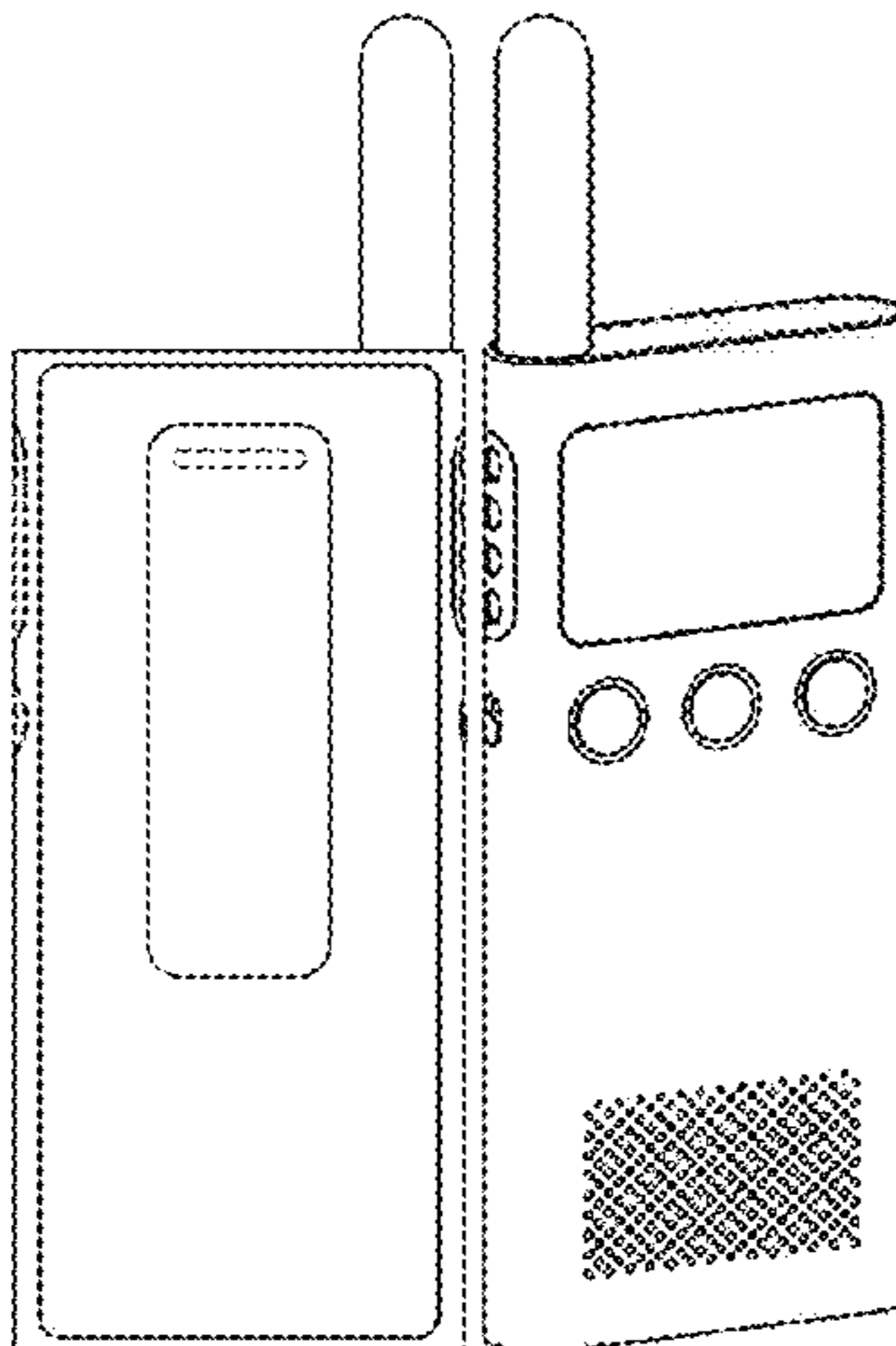
The ornamental design for a walkie-talkie, as shown and described.

DESCRIPTION

1. Walkie-talkie
1.1 : Front
1.2 : Back
1.3 : Left
1.4 : Right
1.5 : Top
1.6 : Bottom
1.7 : Perspective
1.1 is a front elevation view of a walkie-talkie showing our new design; 1.2 is a back elevation view thereof; 1.3 is a left side elevation view thereof; 1.4 is a right side elevation view thereof; 1.5 is a top plan view thereof; 1.6 is a bottom plan view thereof; and 1.7 is a perspective view thereof.
The broken lines in Figures 1.1-1.7 depict portions of the walkie-talkie that form no part of the claimed design.

(56) **References Cited**
U.S. PATENT DOCUMENTS
D280,620 S * 9/1985 Toth D14/137
D309,136 S * 7/1990 Siddoway D14/137
D311,536 S * 10/1990 Reeves D14/137

1 Claim, 7 Drawing Sheets



(56)

References Cited

U.S. PATENT DOCUMENTS

D523,835 S * 6/2006 Huang D14/138 AA
 D524,275 S * 7/2006 Shin D14/138 AA
 D576,128 S * 9/2008 Tran D14/137
 D623,160 S * 9/2010 Garn D14/138 AA
 D637,174 S * 5/2011 Elkerbout D14/159
 D831,601 S * 10/2018 Ooi D14/137
 D835,860 S * 12/2018 Li D30/199
 D835,861 S * 12/2018 Li D30/199
 D881,151 S * 4/2020 Gui D14/137
 D886,753 S * 6/2020 Hong D14/137
 D889,424 S * 7/2020 Chen D14/137
 D889,426 S * 7/2020 Fu D14/159
 D890,711 S * 7/2020 Lee D14/137
 D896,197 S * 9/2020 Lee D14/137
 D898,689 S * 10/2020 Nishizawa D14/137
 2003/0003945 A1 * 1/2003 Saiki H04M 1/03
 455/550.1
 2017/0055135 A1 * 2/2017 Jimenez H04M 1/72519

OTHER PUBLICATIONS

Sony Mobile Communications AB, EU Design No. 002276451-0002, published at DesignVision, publication date Aug. 6, 2013. Site visited May 2, 2020. Available from Internet. (Year: 2013).*

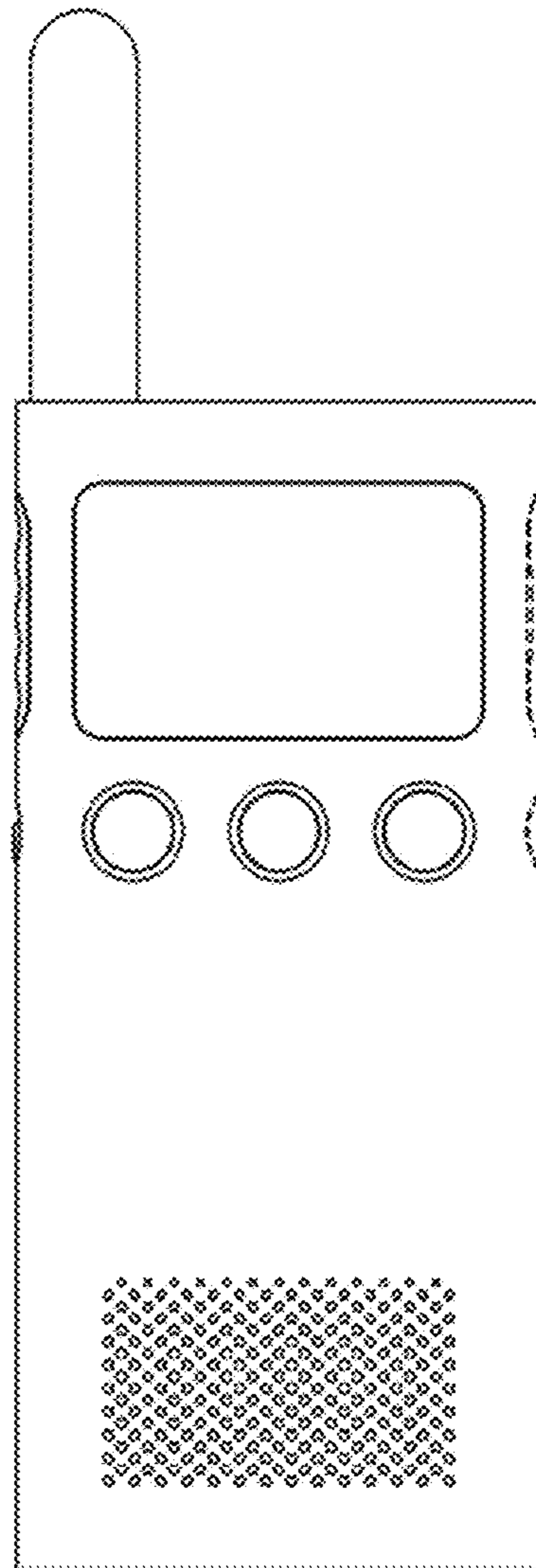
Quanzhou Errui Electronic Technology Co Ltd., Chinese Design No. 2.01930158405e+11, published at DesignVision, publication date Dec. 27, 2019. Site visited May 2, 2020. Available from Internet. (Year: 2019).*

Icom Inc. Chinese design No. 201430127957, published at DesignVision, publication date Sep. 17, 2014. Site visited May 2, 2020. Available from Internet. (Year: 2014).*

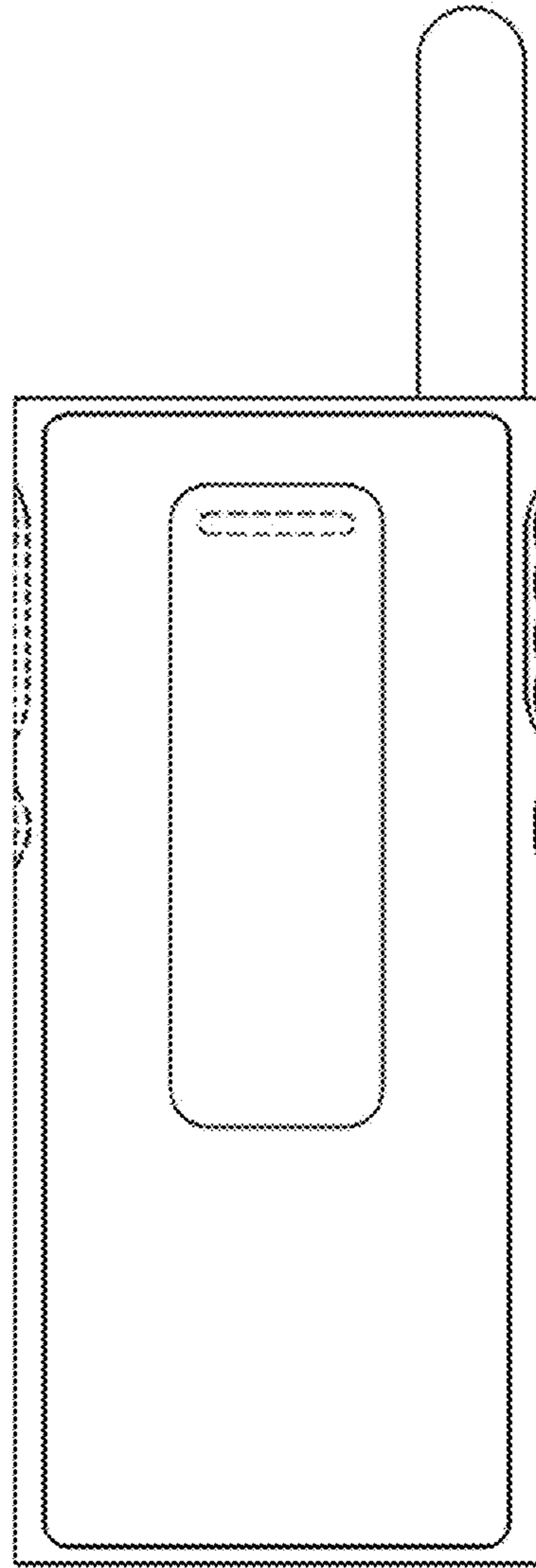
Honorbuy Mobile Shop, Xiaomi Walkie Talkie Unboxing, published at YouTube, publication date Mar. 22, 2017. Site visited May 3, 2020. URL: <https://www.youtube.com/watch?v=xlkxpVMu_SE> (Year: 2017).*

Xiaomi Walkie Talkie Radio Set, posted at YouTube, posting date Mar. 24, 2017. Site visited May 3, 2020. URL: <<https://www.youtube.com/watch?v=CCO7bTf1TKs>> (Year: 2017).*

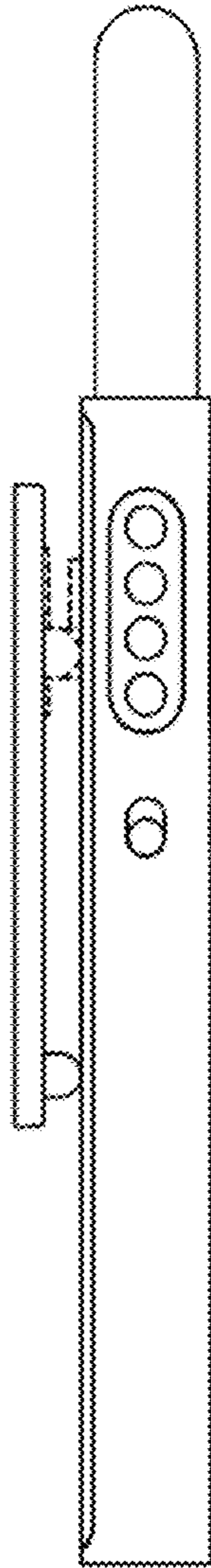
* cited by examiner



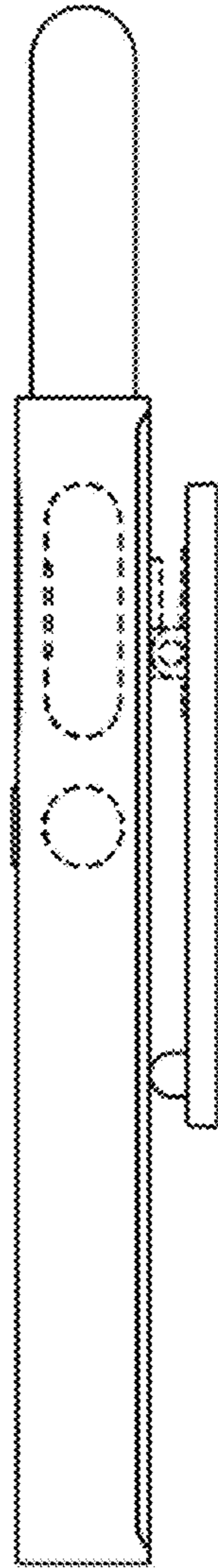
1.1



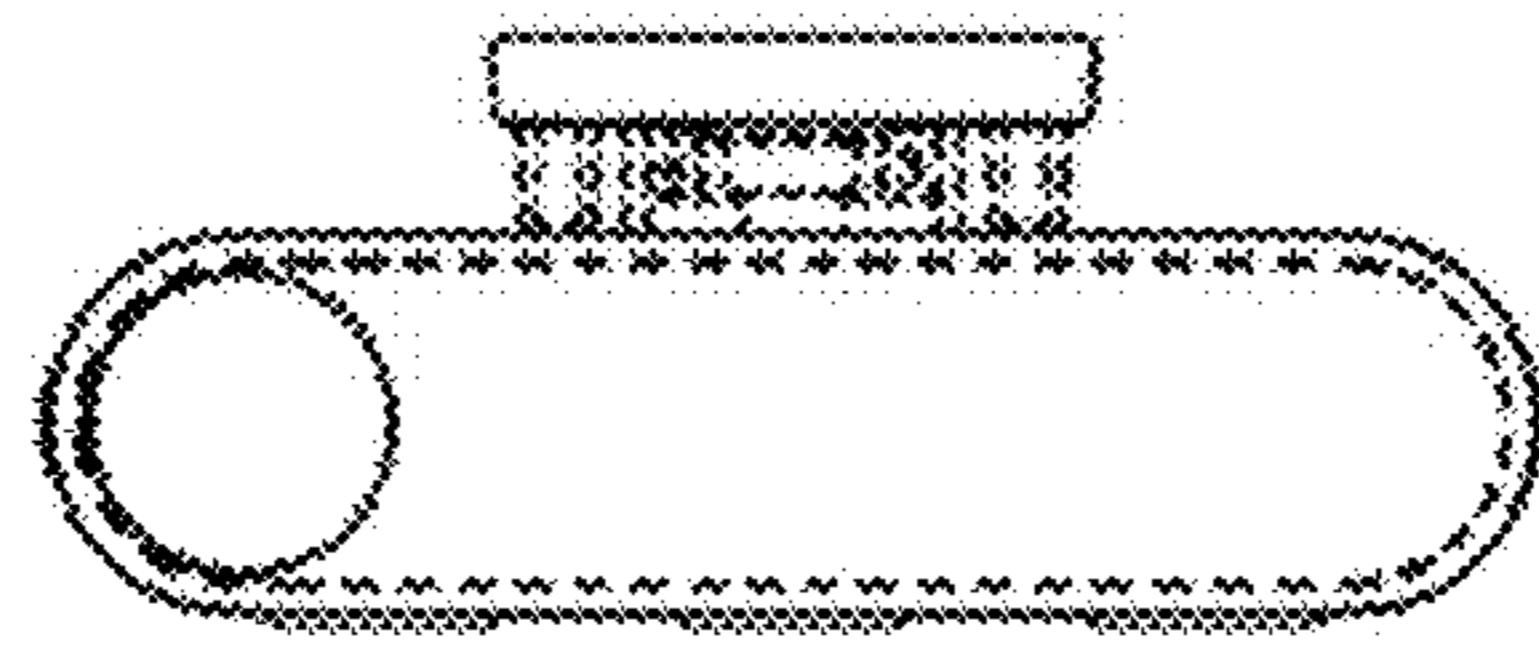
1.2



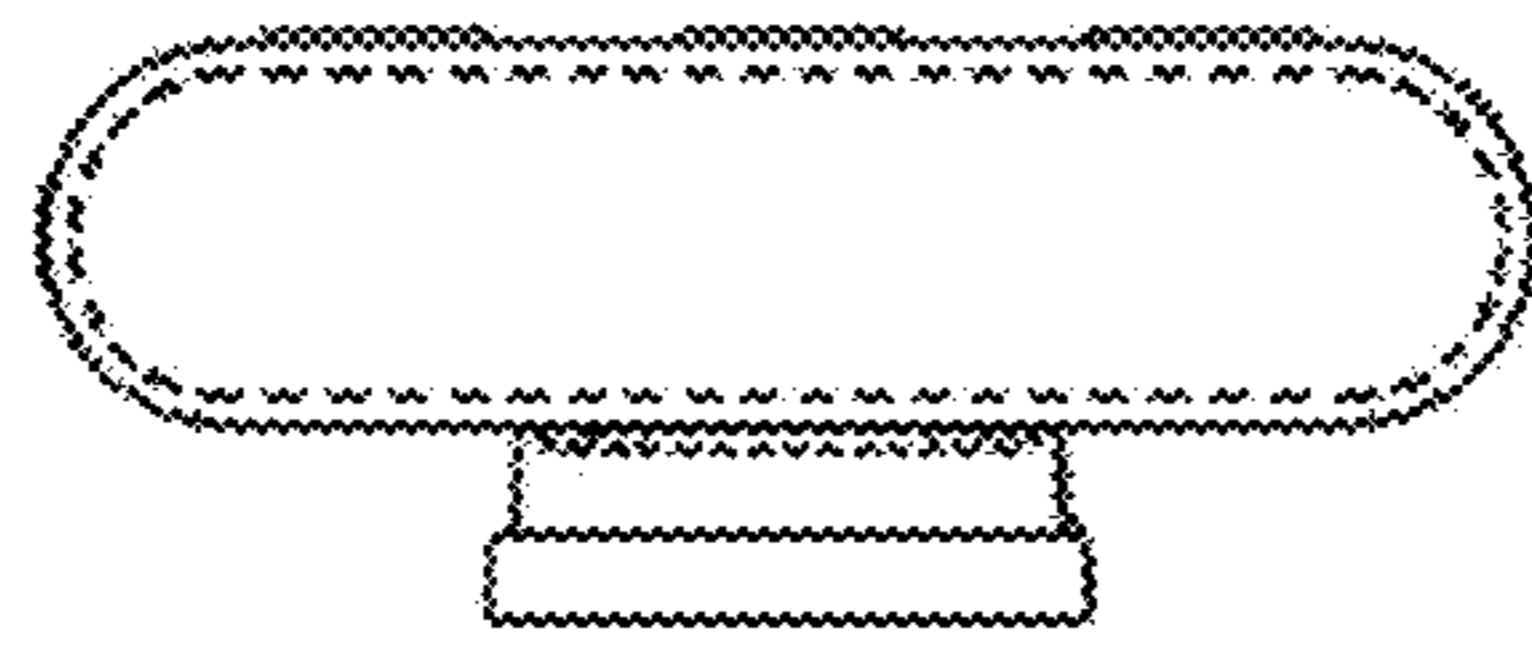
1.3



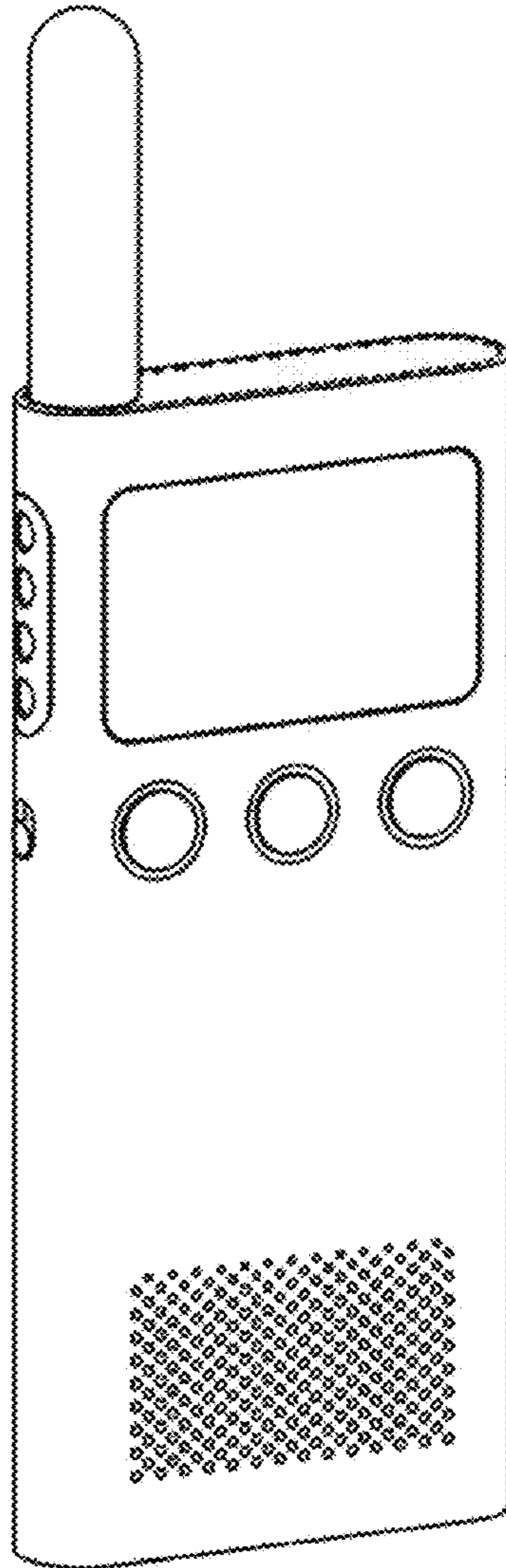
1.4



1.5



1.6



1.7