



US00D914628S

(12) **United States Design Patent**  
**Wang**

(10) **Patent No.:** **US D914,628 S**  
(45) **Date of Patent:** **\*\* Mar. 30, 2021**

(54) **WALKIE-TALKIE**  
(71) Applicant: **SHENZHEN HUIKE ELECTRONICS CO., LTD.**, Shenzhen (CN)

D816,632 S \* 5/2018 Yamamoto ..... D14/137  
D816,639 S \* 5/2018 Abe ..... D14/226  
D842,830 S \* 3/2019 Nishida ..... D14/137  
D889,424 S \* 7/2020 Chen ..... D14/137  
D892,757 S \* 8/2020 Pang ..... D14/137

(72) Inventor: **Gongrang Wang**, Biyang County (CN)

FOREIGN PATENT DOCUMENTS

(73) Assignee: **SHENZHEN HUIKE ELECTRONICS CO., LTD.**, Shenzhen (CN)

EM 006530135-0003 \* 6/2019

(\*\*) Term: **15 Years**

OTHER PUBLICATIONS

(21) Appl. No.: **29/700,771**

Motorola T100TP Talkabout Radio, Date First Available Apr. 1, 2016, [online], [retrieved on Nov. 19, 2020]. Retrieved from Internet, <URL: [https://www.amazon.com/Motorola-T100TP-Talkabout-Radio-Pack/dp/B01DM7AEF8/ref=sr\\_1\\_3?dchild=1&keywords=walkie+talkies&qid=1605812278&sr=8-3](https://www.amazon.com/Motorola-T100TP-Talkabout-Radio-Pack/dp/B01DM7AEF8/ref=sr_1_3?dchild=1&keywords=walkie+talkies&qid=1605812278&sr=8-3)>.\*

(22) Filed: **Aug. 6, 2019**

\* cited by examiner

(30) **Foreign Application Priority Data**

Apr. 12, 2019 (CN) ..... 201930167271.X

*Primary Examiner* — Bridget L Eland

(51) **LOC (13) Cl.** ..... **14-03**

(74) *Attorney, Agent, or Firm* — Li & Cai Intellectual Property (USA) Office

(52) **U.S. Cl.**  
USPC ..... **D14/137**

(57) **CLAIM**

(58) **Field of Classification Search**  
USPC ..... D14/137, 138 R, 138 AA, 138 AD  
CPC .. H04B 1/3833; H04B 1/3827; H04B 1/3855;  
H04B 2001/3861; H04M 1/0202; H04M  
1/03; H04M 1/035  
See application file for complete search history.

The ornamental design for a walkie-talkie, as shown and described.

**DESCRIPTION**

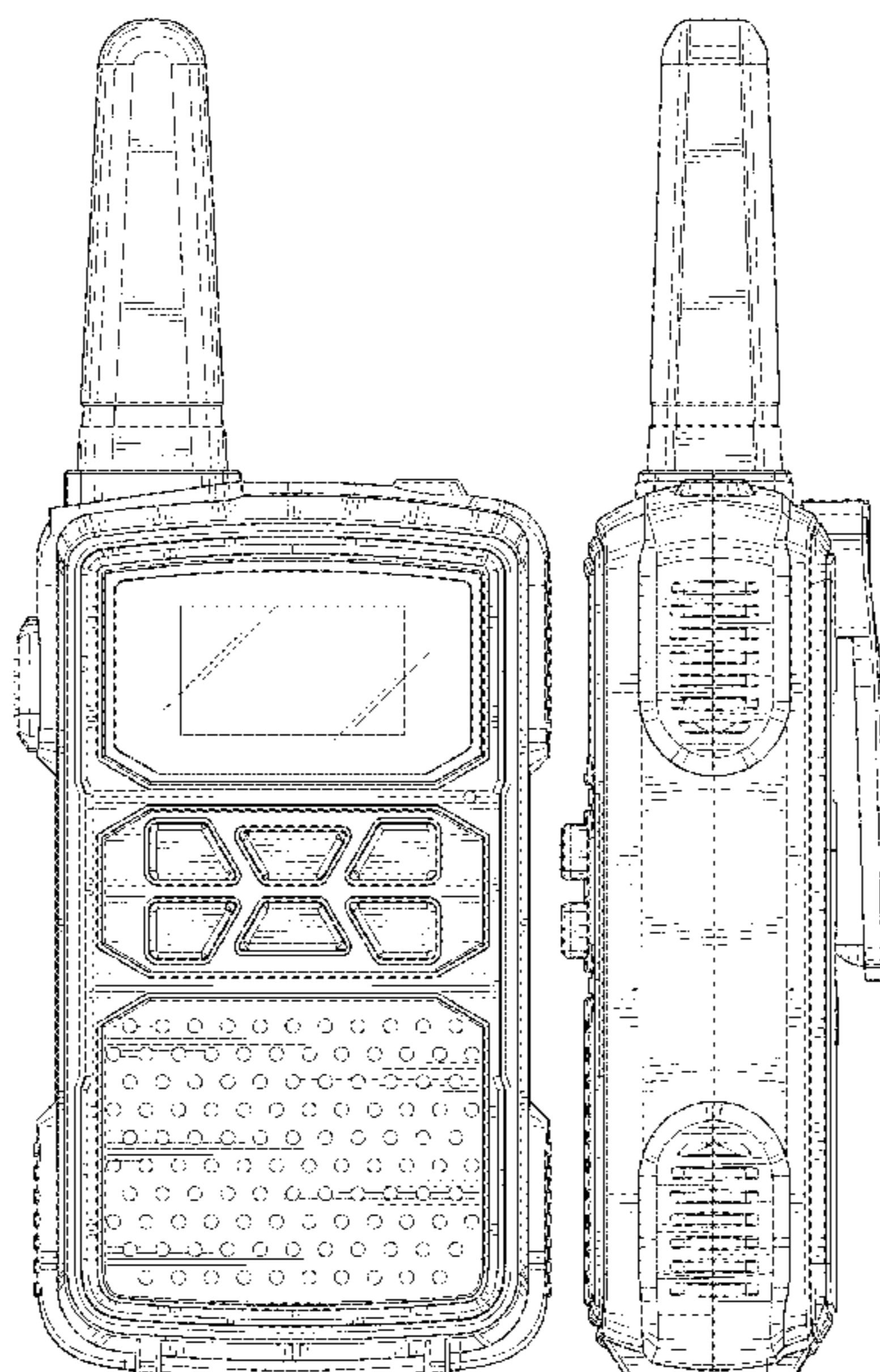
(56) **References Cited**

U.S. PATENT DOCUMENTS

5,918,189 A \* 6/1999 Kivela ..... H01Q 1/243  
343/700 MS  
D526,296 S \* 8/2006 Wen ..... D14/138 AA  
D602,893 S \* 10/2009 Nishida ..... D14/137  
D677,230 S \* 3/2013 Ooi ..... D14/137  
D685,753 S \* 7/2013 Kang ..... D14/137  
D761,224 S \* 7/2016 Khairudin ..... D14/137

FIG. 1 is a front and top perspective view of a walkie-talkie showing my new design;  
FIG. 2 is a front elevational view thereof;  
FIG. 3 is a rear elevational view thereof;  
FIG. 4 is a left side elevational view thereof;  
FIG. 5 is a right side elevational view thereof;  
FIG. 6 is a top plan view thereof; and,  
FIG. 7 is a bottom plan view thereof.  
The broken lines depict portions of the walkie-talkie in which the design is embodied that form no part of the claimed design.

**1 Claim, 6 Drawing Sheets**



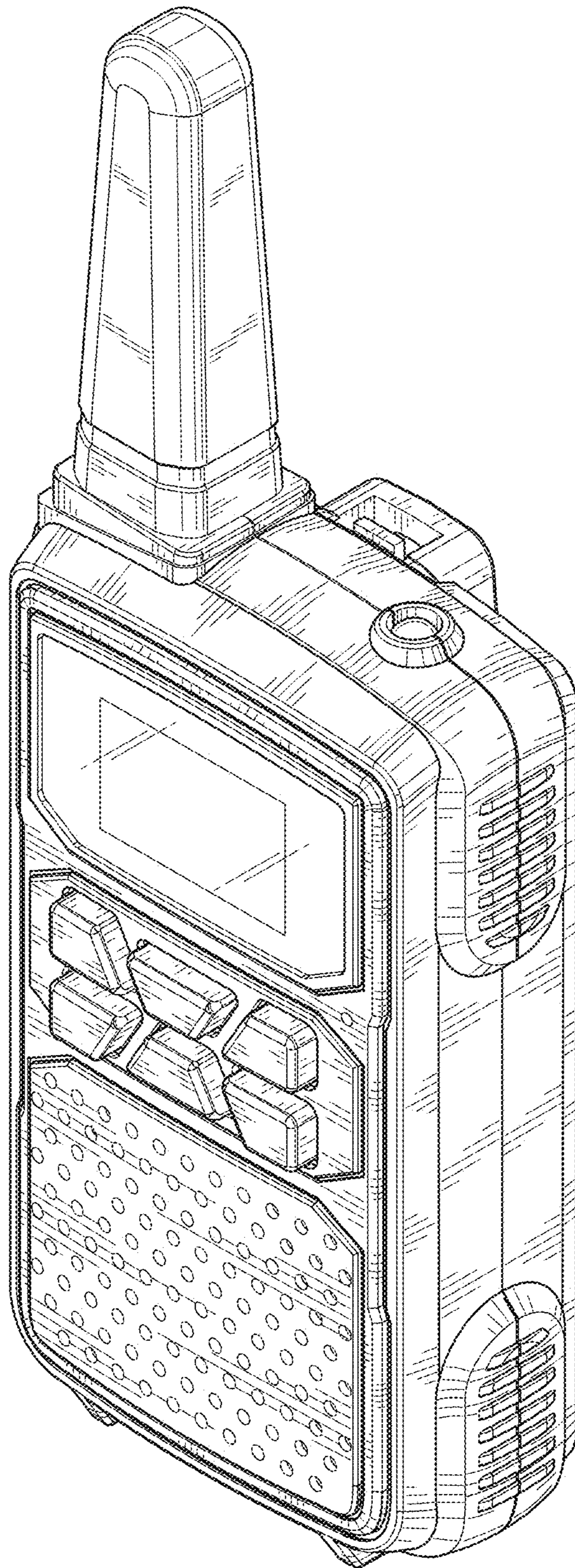


FIG. 1

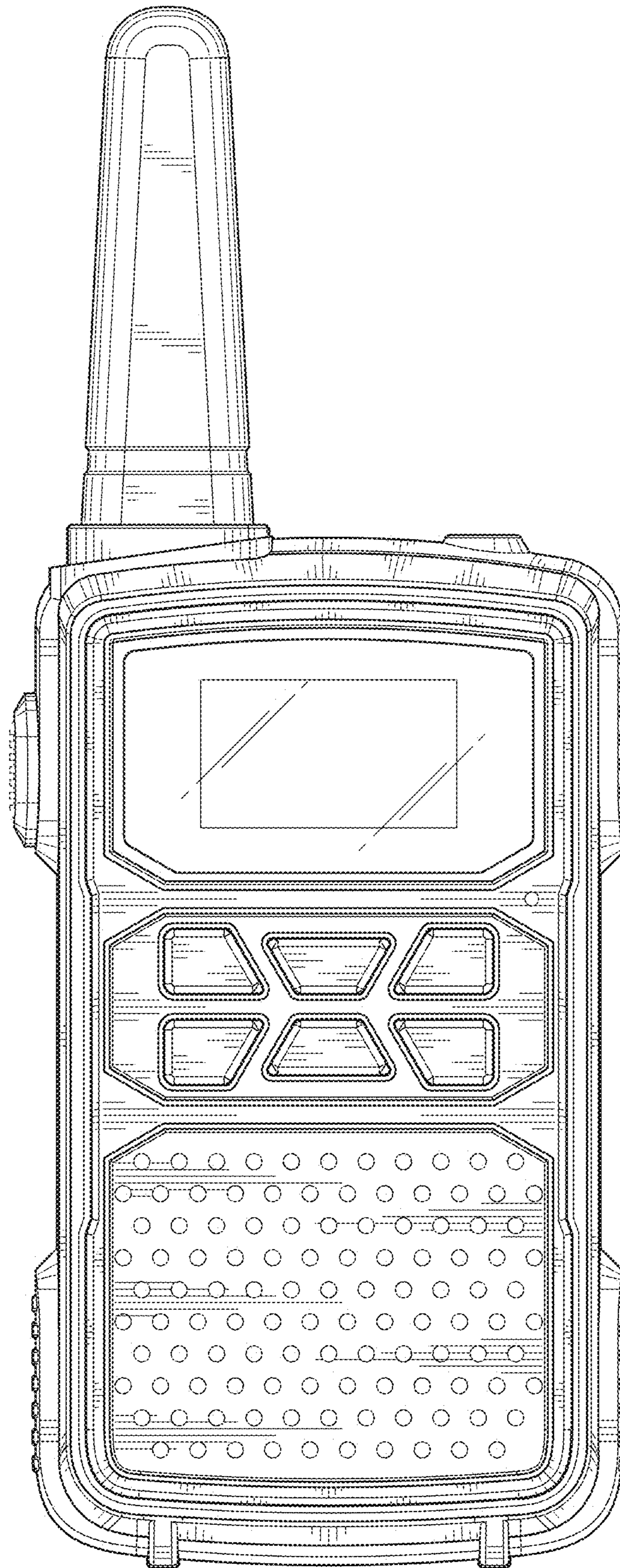


FIG. 2

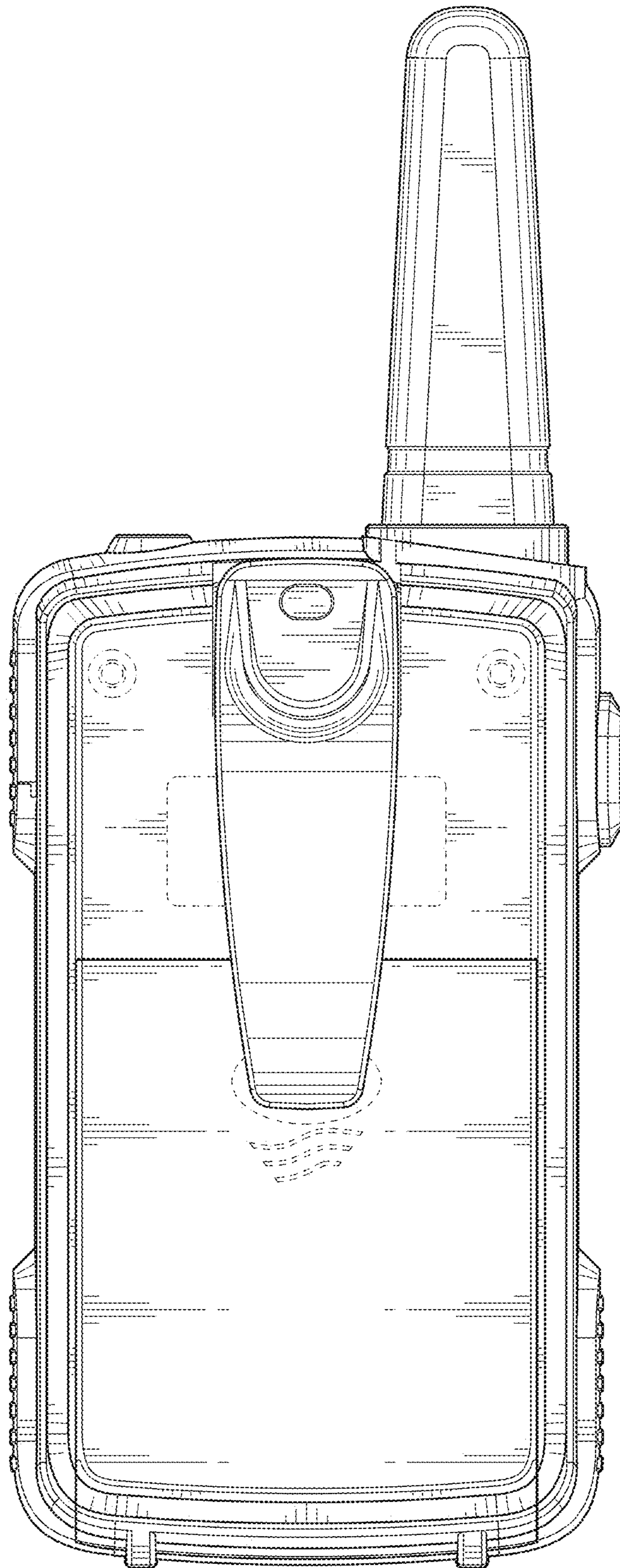


FIG. 3

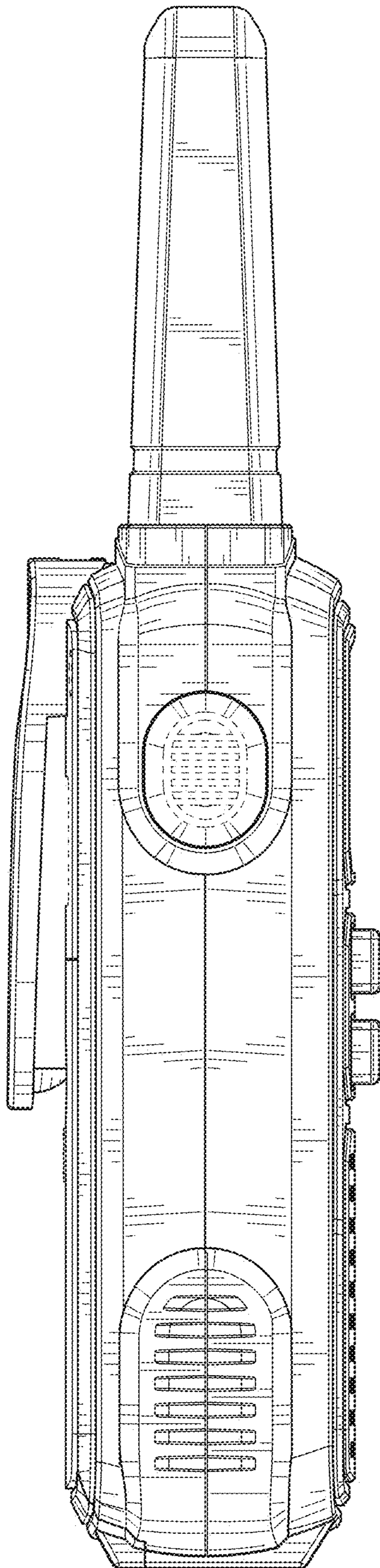


FIG. 4

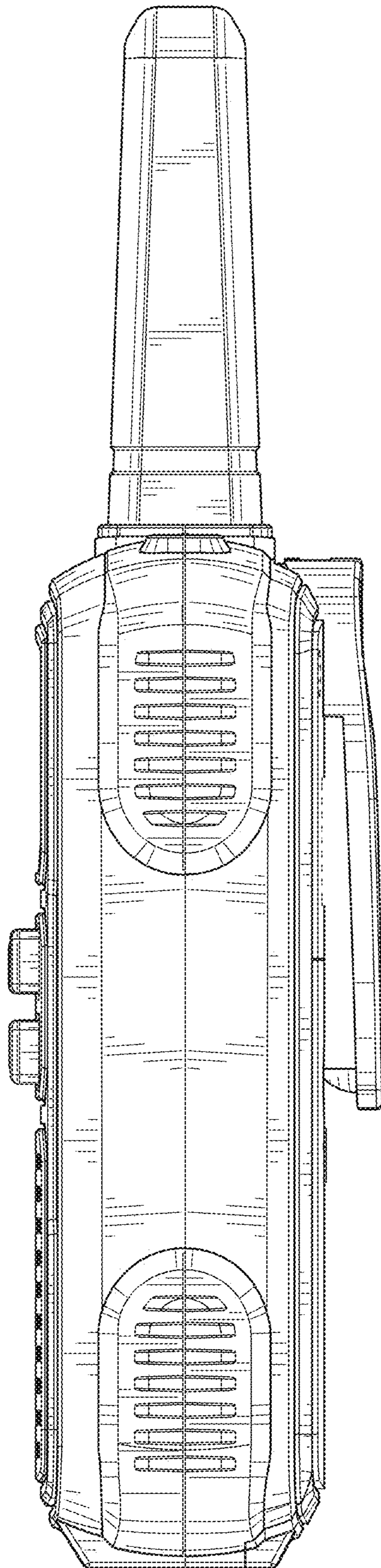


FIG. 5

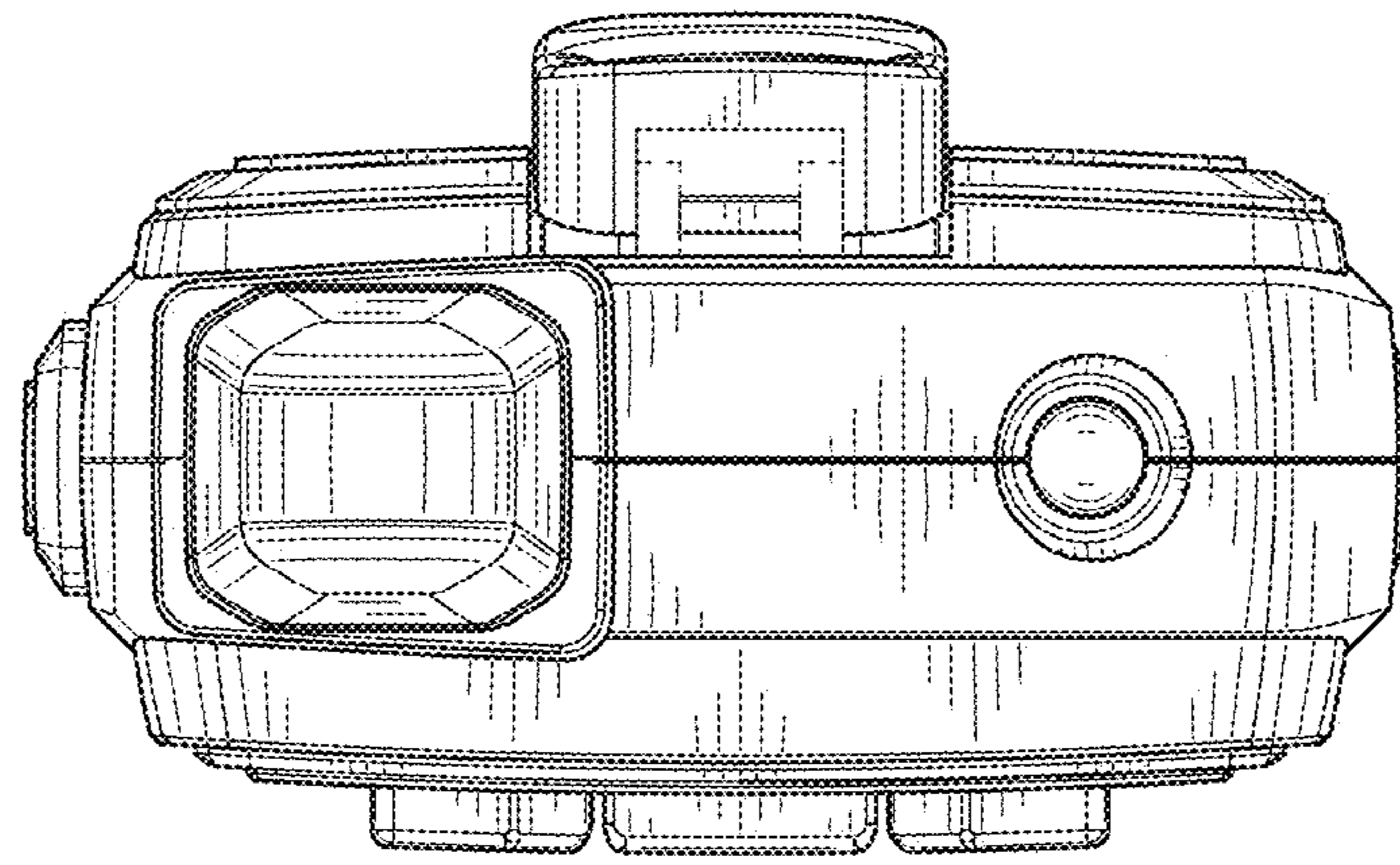


FIG. 6

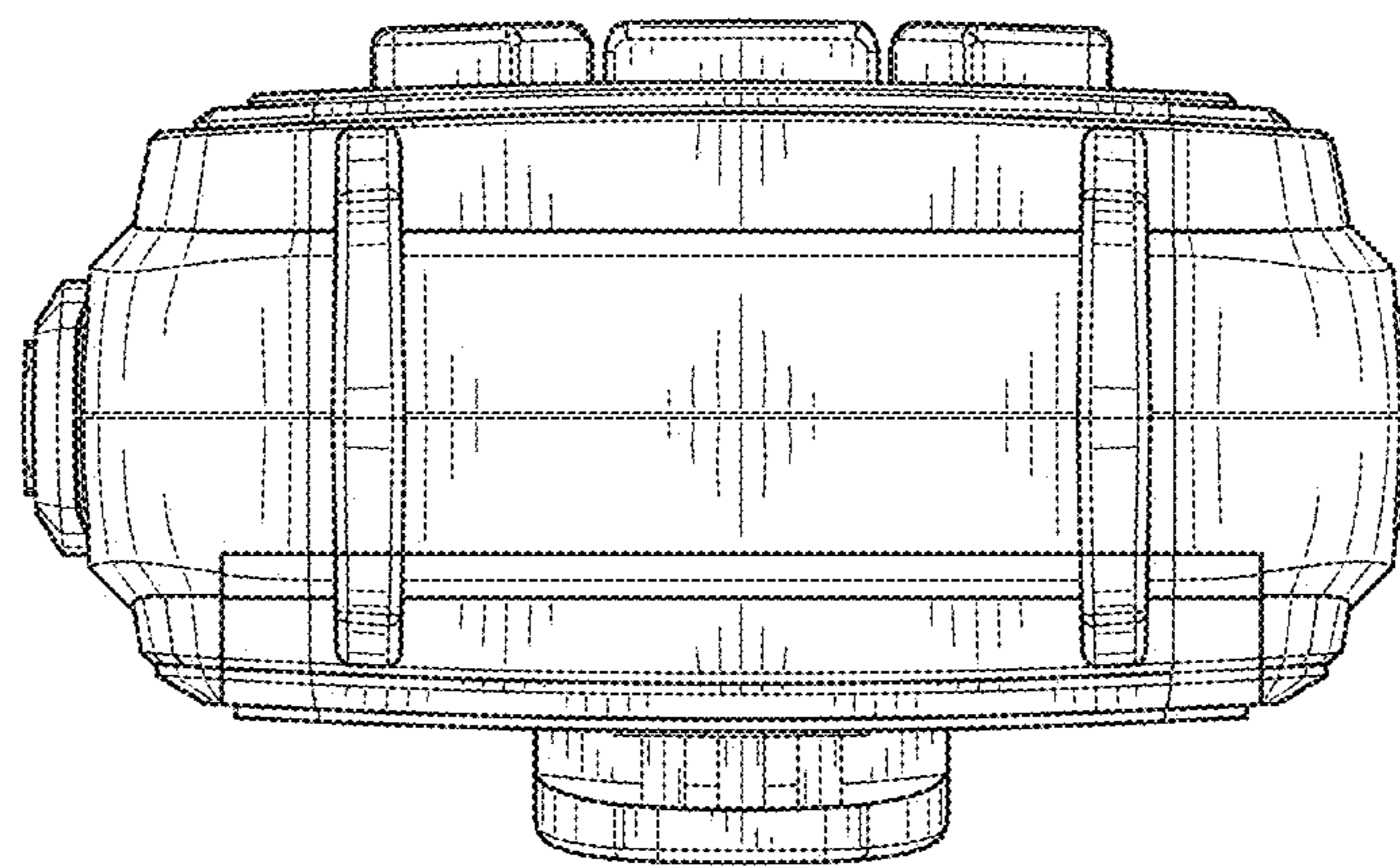


FIG. 7