



US00D914627S

(12) **United States Design Patent**  
**Kim et al.**

(10) **Patent No.: US D914,627 S**  
(45) **Date of Patent: \*\* Mar. 30, 2021**

(54) **TELEVISION RECEIVER**

(71) Applicant: **LG Electronics Inc.**, Seoul (KR)  
(72) Inventors: **Yongseok Kim**, Seoul (KR); **Yunui Chong**, Seoul (KR); **Misun Park**, Seoul (KR); **Yooseok Kim**, Seoul (KR); **Minji Seo**, Seoul (KR)

(73) Assignee: **LG ELECTRONICS INC.**, Seoul (KR)

(\*\*) Term: **15 Years**  
(21) Appl. No.: **35/507,478**

(22) Filed: **Mar. 8, 2019**

(80) **Hague Agreement Data**

Int. Filing Date: **Mar. 8, 2019**  
Int. Reg. No.: **DM/202969**  
Int. Reg. Date: **Mar. 8, 2019**  
Int. Reg. Pub. Date: **Oct. 4, 2019**

(30) **Foreign Application Priority Data**

Sep. 10, 2018 (KR) ..... 30-2018-0042134

(51) **LOC (13) Cl.** ..... **14-03**

(52) **U.S. Cl.**  
USPC ..... **D14/126**

(58) **Field of Classification Search**

USPC ..... D14/125, 126, 128, 133, 239, 336, 371,  
D14/374-377, 448, 450; D20/10, 19, 39;  
D21/329, 515; D16/241  
CPC ..... G06F 1/1601; G06F 1/1643; H04N 5/64;  
H04N 5/66; H04N 5/655; H04N 7/00;  
H04N 9/3141; H04N 13/0459; H04N  
17/04;

(Continued)

(56) **References Cited**

**U.S. PATENT DOCUMENTS**

D646,336 S \* 10/2011 Kelly ..... D21/370  
D697,862 S \* 1/2014 Nemeth ..... D12/345

(Continued)

**OTHER PUBLICATIONS**

Yaham LED; "Outdoor Fixed LED SC"; [online] 'https://yahamled.com/products/outdoor-fixed-led-sc/'; accessed Aug. 2, 2020; 4pgs. (Year: 2020).\*

(Continued)

*Primary Examiner* — Keli L Hill

(74) *Attorney, Agent, or Firm* — Birch, Stewart, Kolasch & Birch, LLP

(57) **CLAIM**

The ornamental design for a television receiver, as shown and described.

**DESCRIPTION**

1. Television receiver

1.1 : Perspective

1.2 : Front

1.3 : Back

1.4 : Left

1.5 : Right

1.6 : Top

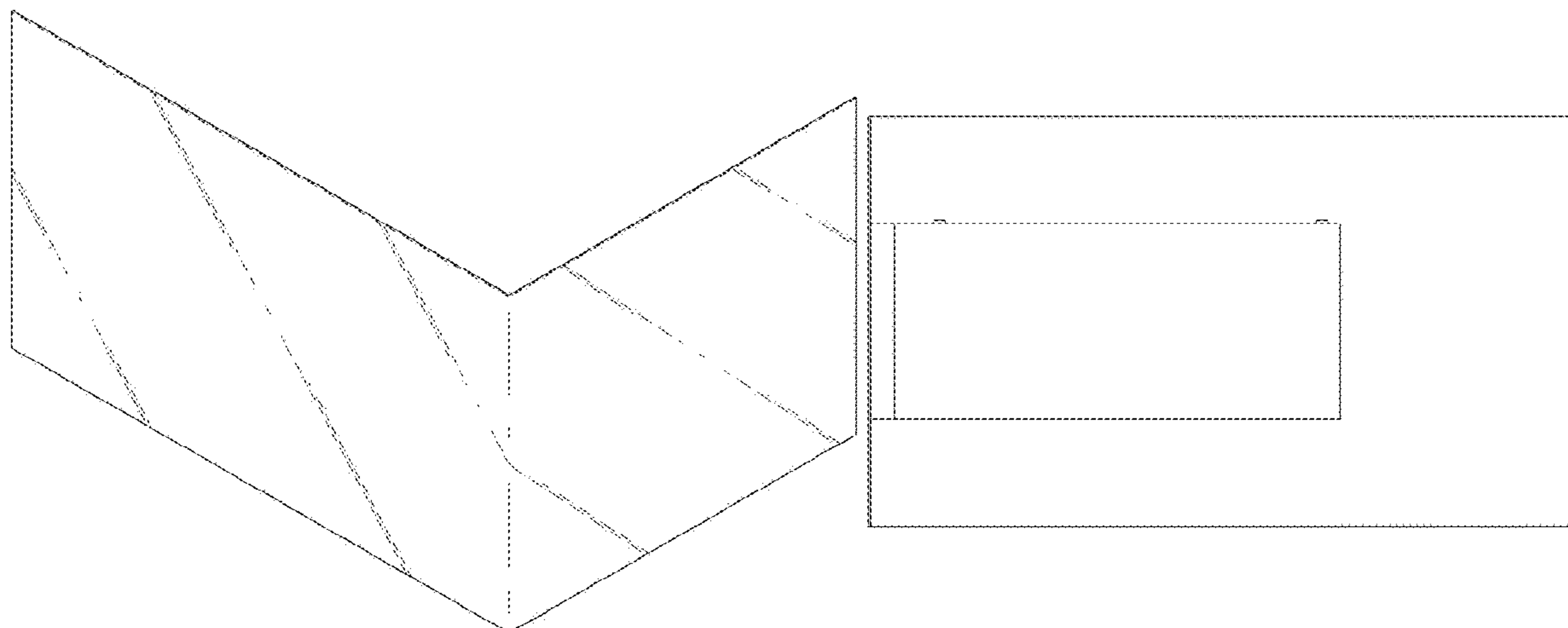
1.7 : Bottom

1.8 : Alternate Perspective view shown installed on a wall

1.9 : Alternate Top view showing display in an alternate position

The broken line showing of the wall in reproduction 1.8 is included for the purpose of illustrating environmental subject matter and forms no part of the claimed design. The fine lines on the drawings indicate the display part; reproductions 1.1 to 1.7 are front perspective, front, back, left, right, top and bottom views of the television receiver; reproduction 1.8 is an alternate perspective view showing an example of the use state in which the claimed design is installed on the wall; and reproduction 1.9 is an alternate top view showing a process in which the display moves along with the wall by the sliding structure formed at the top of the body.

**1 Claim, 9 Drawing Sheets**



(58) **Field of Classification Search**

CPC ..... H04N 17/004; H04N 21/43637; G02B  
6/0068; H05K 5/02; H05K 5/0004; H05K  
5/0017; H05K 5/0217

See application file for complete search history.

D858,638 S \* 9/2019 Kwon ..... D20/10  
D862,297 S \* 10/2019 Cha ..... D12/126  
D863,441 S \* 10/2019 Hwang ..... D20/39

OTHER PUBLICATIONS

MPLED: “MPLED P2.5 Seamless L shape corner LED Display for Singapor”; [online] ‘[http://www.mpled168.com/News/Company\\_News/20171025890.html](http://www.mpled168.com/News/Company_News/20171025890.html)’; dated Oct. 25, 2017; accessed Aug. 3, 2020; 2pgs. (Year: 2017).\*

MPLED 2; “Outdoor & Indoor Bevel LED Display”; [online] ‘[www.mpled168.com/Products/Outdoor/20150613345.html](http://www.mpled168.com/Products/Outdoor/20150613345.html)’; accessed Aug. 3, 2020; 3pgs. (Year: 2020).\*

Brill, Louis; Sign of the Times; “Building Lobbies and the Digital Domain”; [online] ‘<https://www.signsofthetimes.com/content/building-lobbies-and-digital-domain>’; dated Nov. 14, 2016; accessed Aug. 2, 2020; 7pgs. (Year: 2016).\*

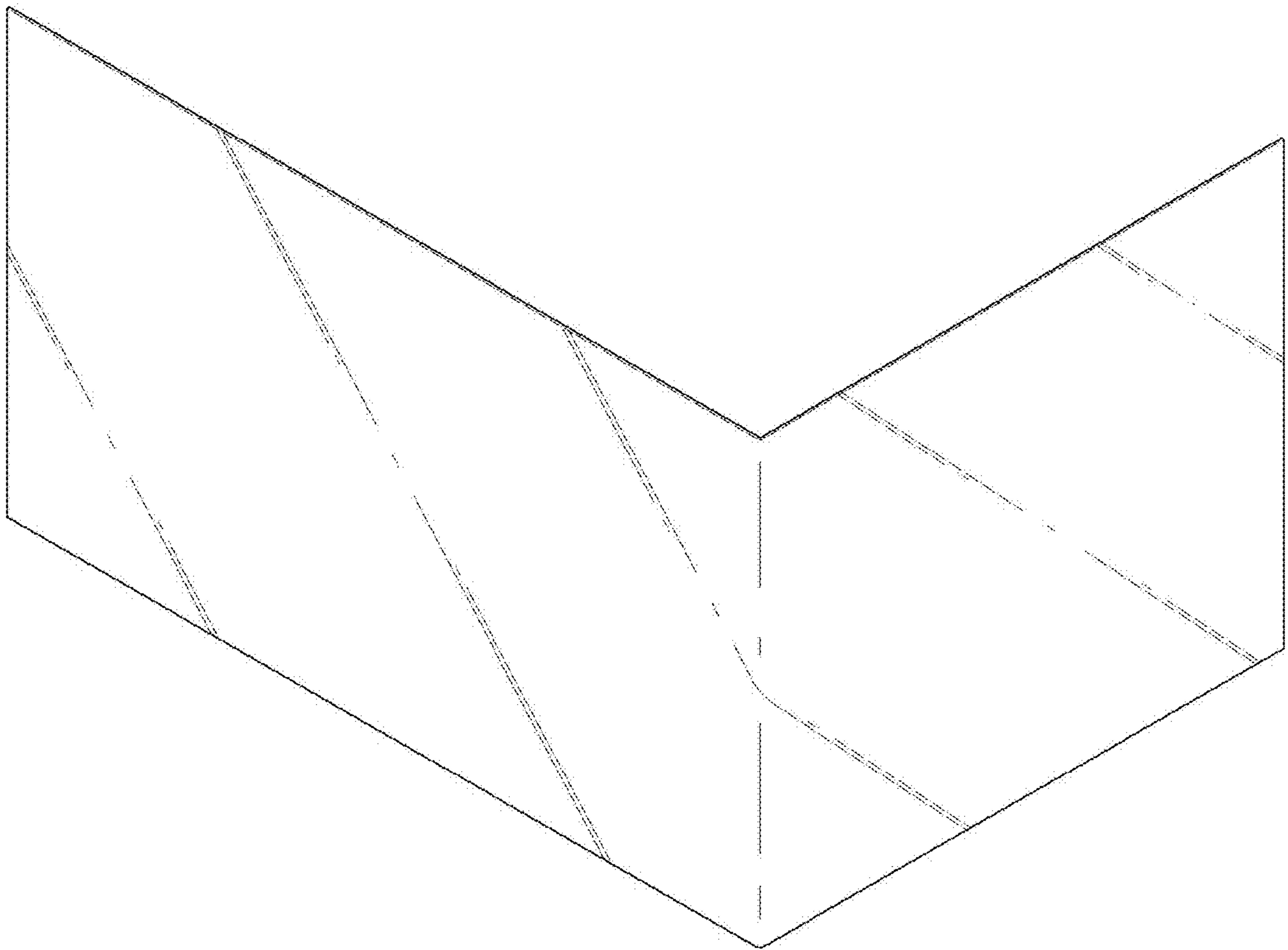
\* cited by examiner

(56) **References Cited**

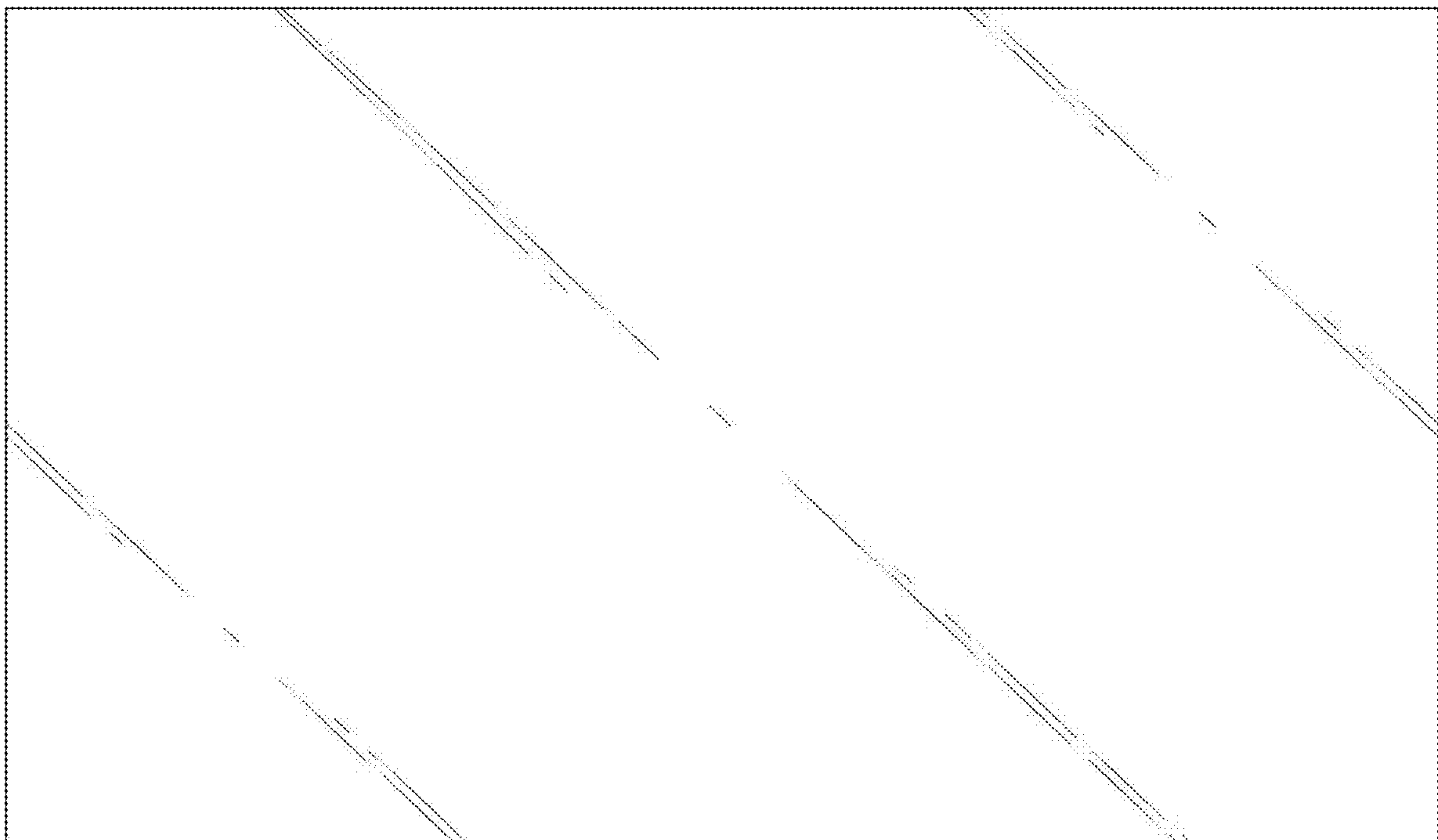
U.S. PATENT DOCUMENTS

D755,745 S \* 5/2016 Williams ..... D14/126  
D765,659 S \* 9/2016 Kim ..... D14/375  
D770,406 S \* 11/2016 Fleming, Jr. .... D14/125  
D771,628 S \* 11/2016 Bae ..... D14/374  
D781,857 S \* 3/2017 Drabant ..... D14/371  
D812,029 S \* 3/2018 Kim ..... D14/126  
D823,856 S \* 7/2018 Asamizu ..... D14/374  
D845,261 S \* 4/2019 Won ..... D14/126

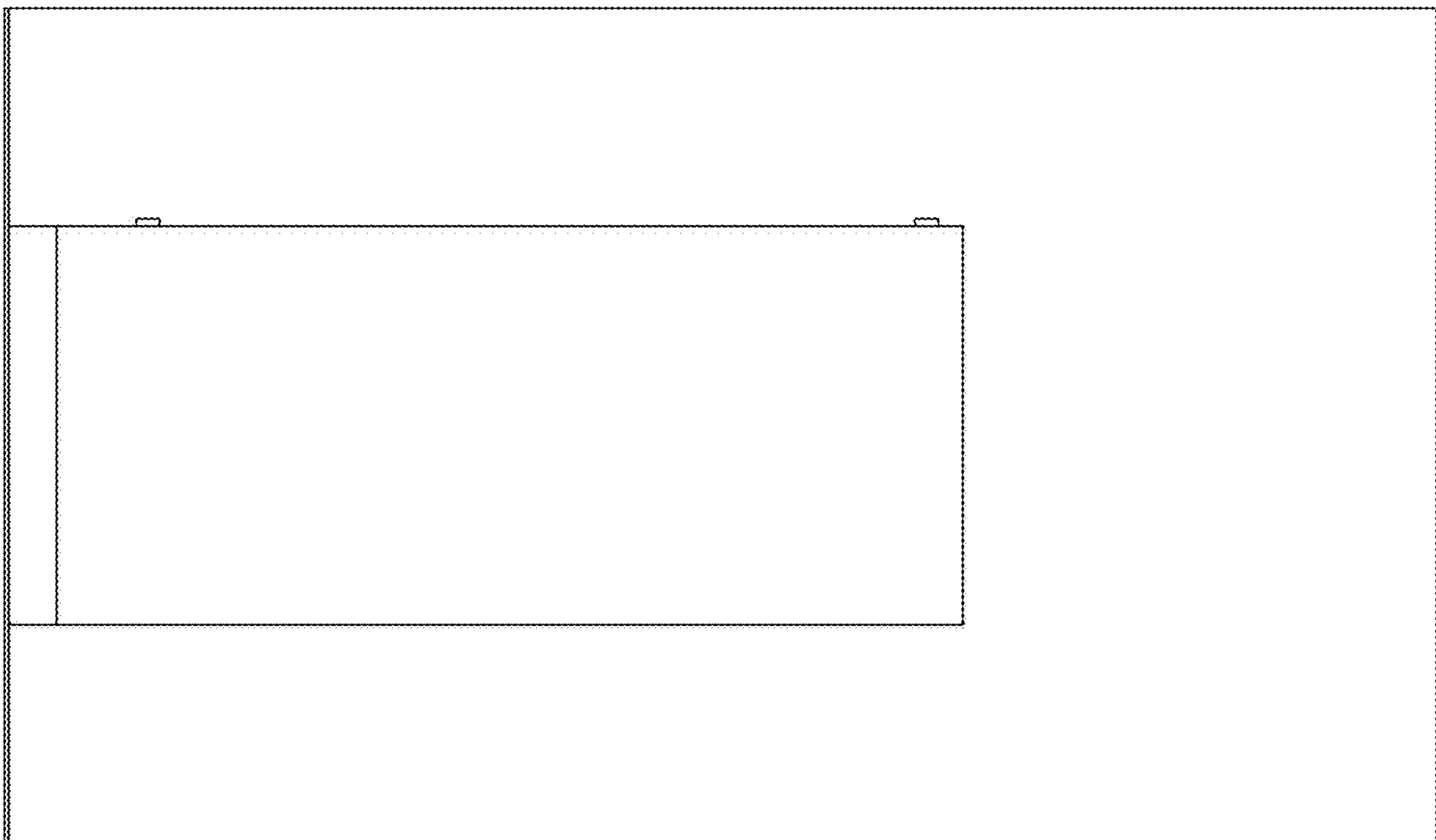
1.1



1.2



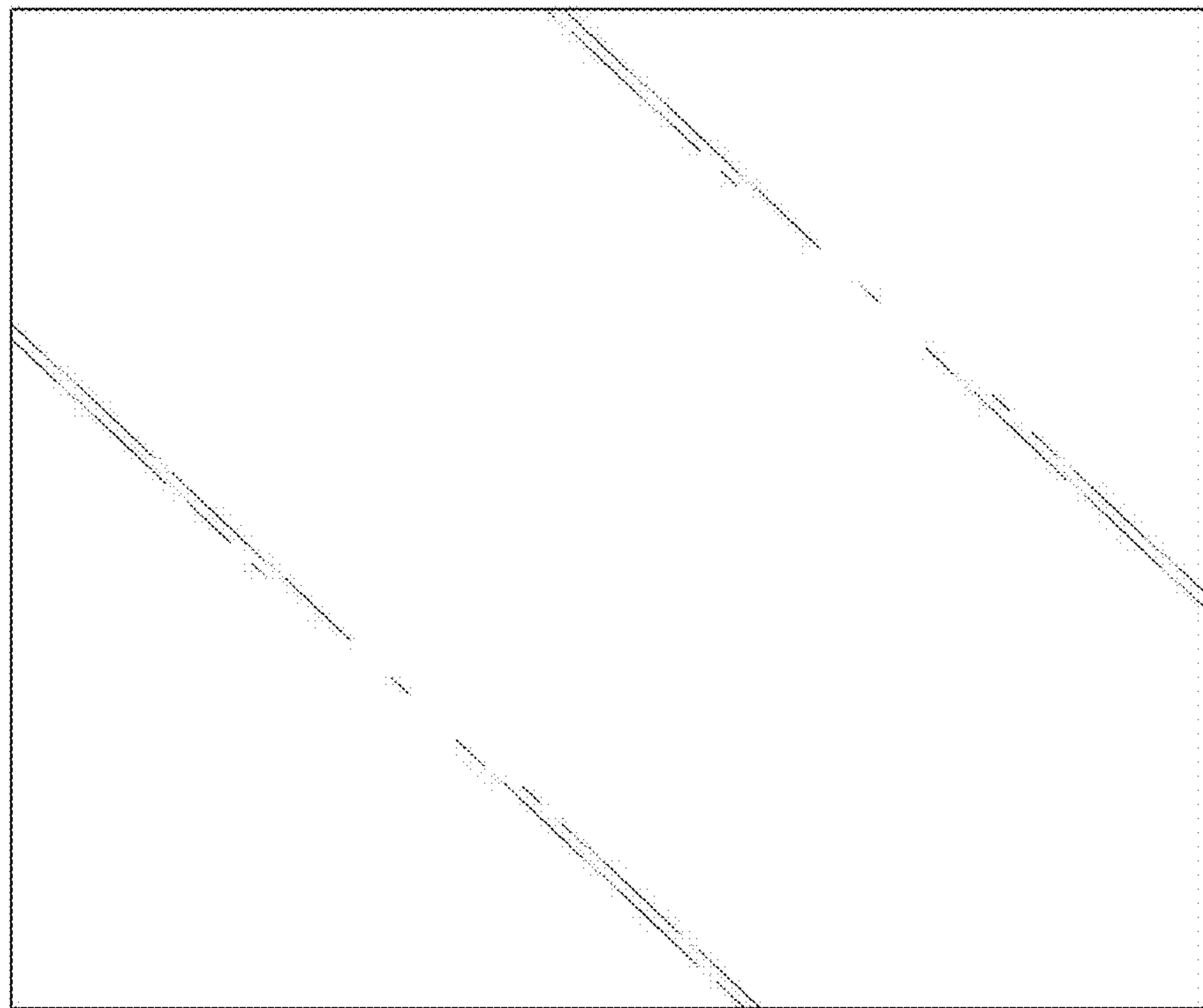
1.3



1.4



1.5

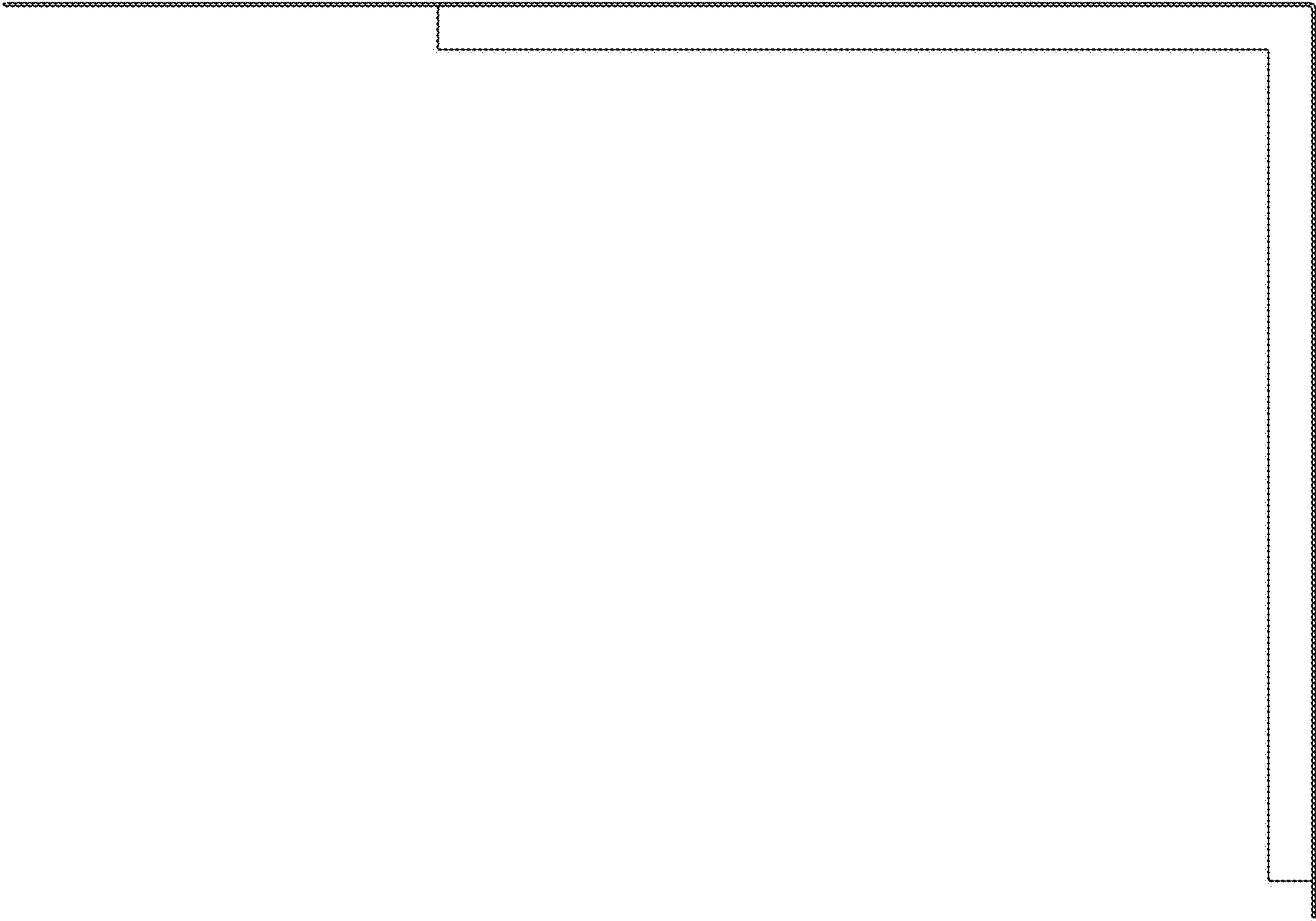


1.6

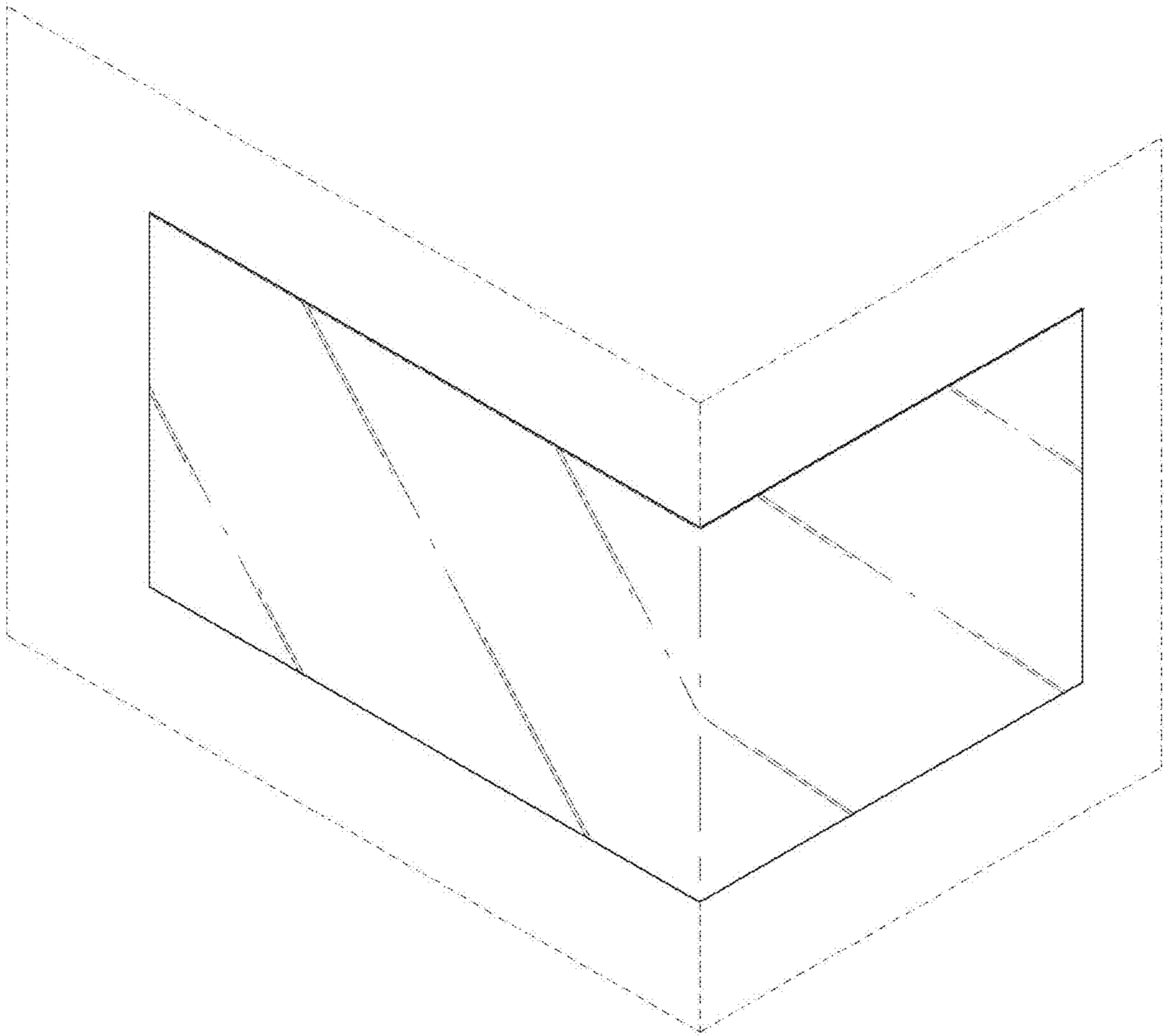




1.7



1.8



1.9

